



US00D654742S

(12) **United States Design Patent**
Slothower et al.

(10) **Patent No.:** **US D654,742 S**

(45) **Date of Patent:** **** Feb. 28, 2012**

(54) **ESCUTCHEON**

(75) Inventors: **Anna-Pia Slothower**, Mill Valley, CA (US); **Gregory De Swarte**, Sheboygan, WI (US); **Herbert V. Kohler, Jr.**, Kohler, WI (US)

(73) Assignee: **Kohler Co.**, Kohler, WI (US)

(**) Term: **14 Years**

(21) Appl. No.: **29/378,751**

(22) Filed: **Nov. 9, 2010**

(51) **LOC (9) Cl.** **23-02**

(52) **U.S. Cl.** **D6/524; D6/549**

(58) **Field of Classification Search** D6/518–524, D6/546–550; D8/300, 370, 315; 108/28–29; 211/13.1, 16, 85.5, 86.01, 87.01, 88.04, 100, 211/105.1, 105.2, 106, 113, 123, 181.1, 182–183; 248/49, 175, 176.1, 200, 201, 205.1, 251, 248/302, 309.1, 315; 242/570, 590, 595–598
See application file for complete search history.

(56) **References Cited**

U.S. PATENT DOCUMENTS

D327,196 S * 6/1992 Crook et al. D6/549
D388,644 S * 1/1998 Chen D6/550

D439,779 S * 4/2001 Wu D6/523
D454,459 S * 3/2002 Meck et al. D6/549
D492,151 S * 6/2004 Chen D6/524
D519,766 S * 5/2006 Gilbert D6/524
D557,049 S * 12/2007 Sedwick et al. D6/524
D608,124 S * 1/2010 Sedwick D6/524
D633,736 S * 3/2011 Sedwick D6/524

* cited by examiner

Primary Examiner — Brian N Vinson

(74) *Attorney, Agent, or Firm* — Foley & Lardner LLP

(57) **CLAIM**

The ornamental design for an “escutcheon,” as shown and described.

DESCRIPTION

FIG. 1 is a front, top, left side perspective view of an escutcheon which is the subject of our new design.

FIG. 2 is a top plan view of the design of FIG. 1.

FIG. 3 is a bottom plan view of the design of FIG. 1.

FIG. 4 is a front elevational view of the design of FIG. 1.

FIG. 5 is a left side elevational view of the design of FIG. 1.

FIG. 6 is a right side elevational view of the design of FIG. 1;

and,

FIG. 7 is a rear elevational view of the design of FIG. 1.

The features shown in broken lines are for illustrative purposes only and do not form part of the claimed design.

1 Claim, 3 Drawing Sheets

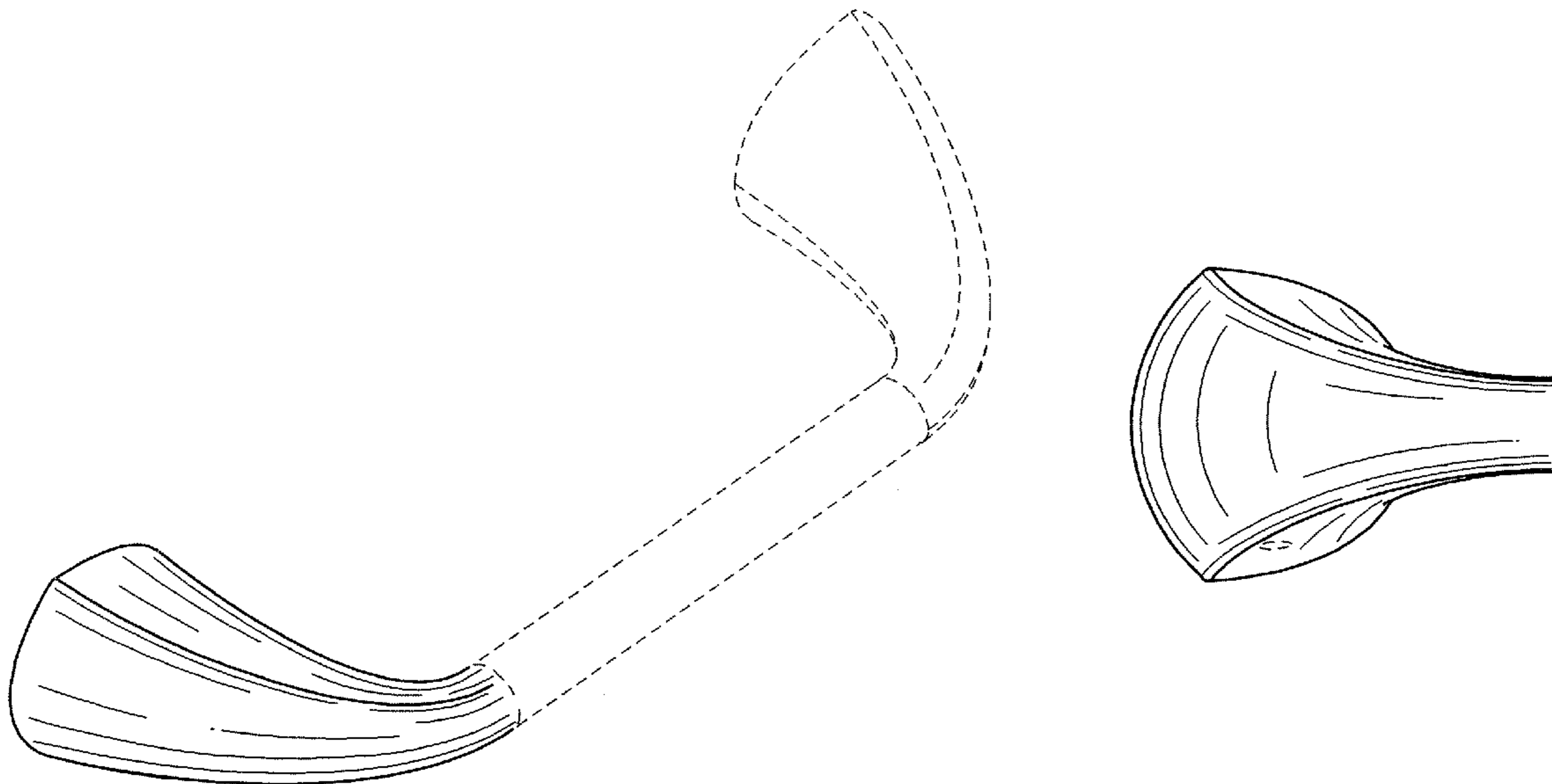


FIG. 1

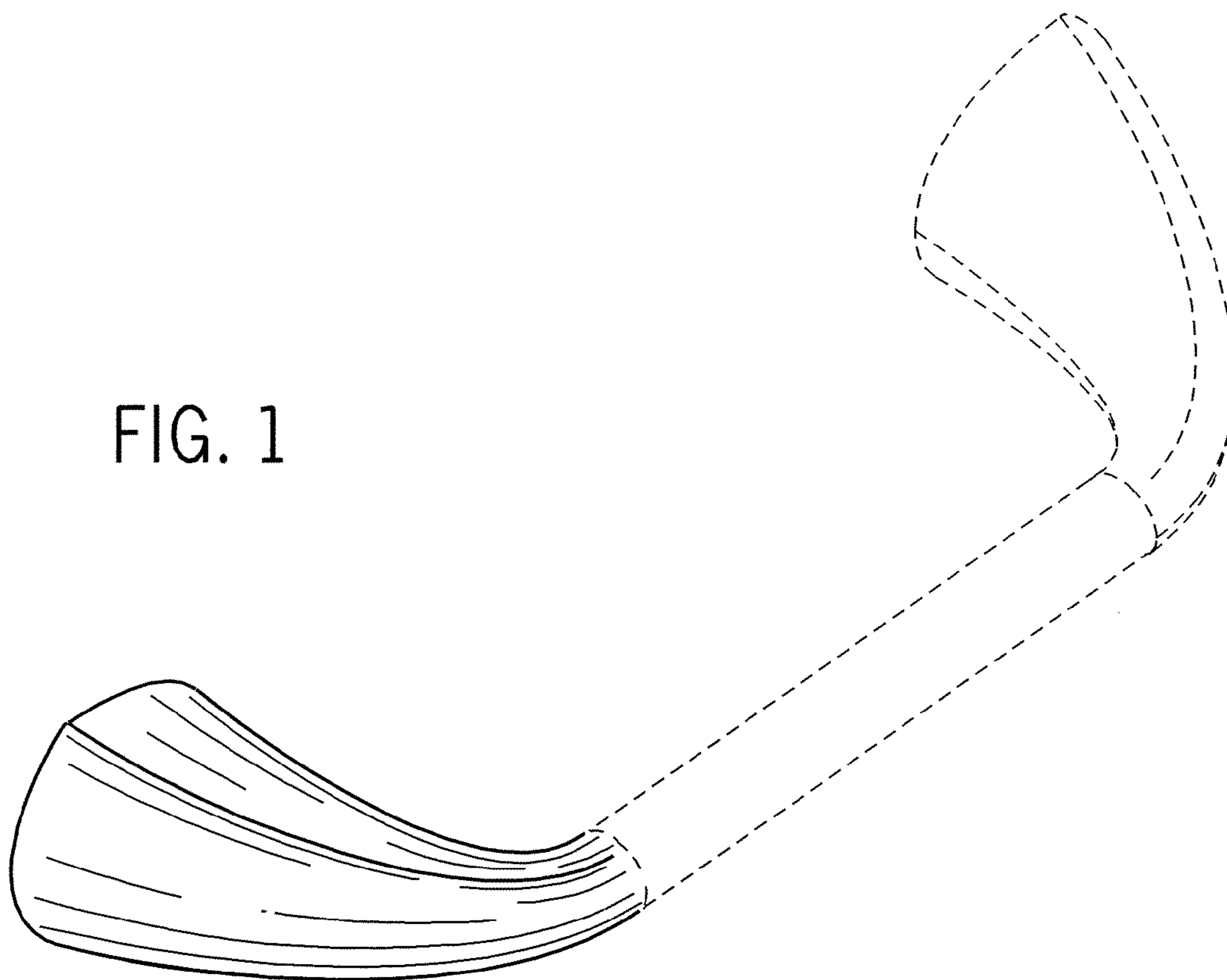


FIG. 2

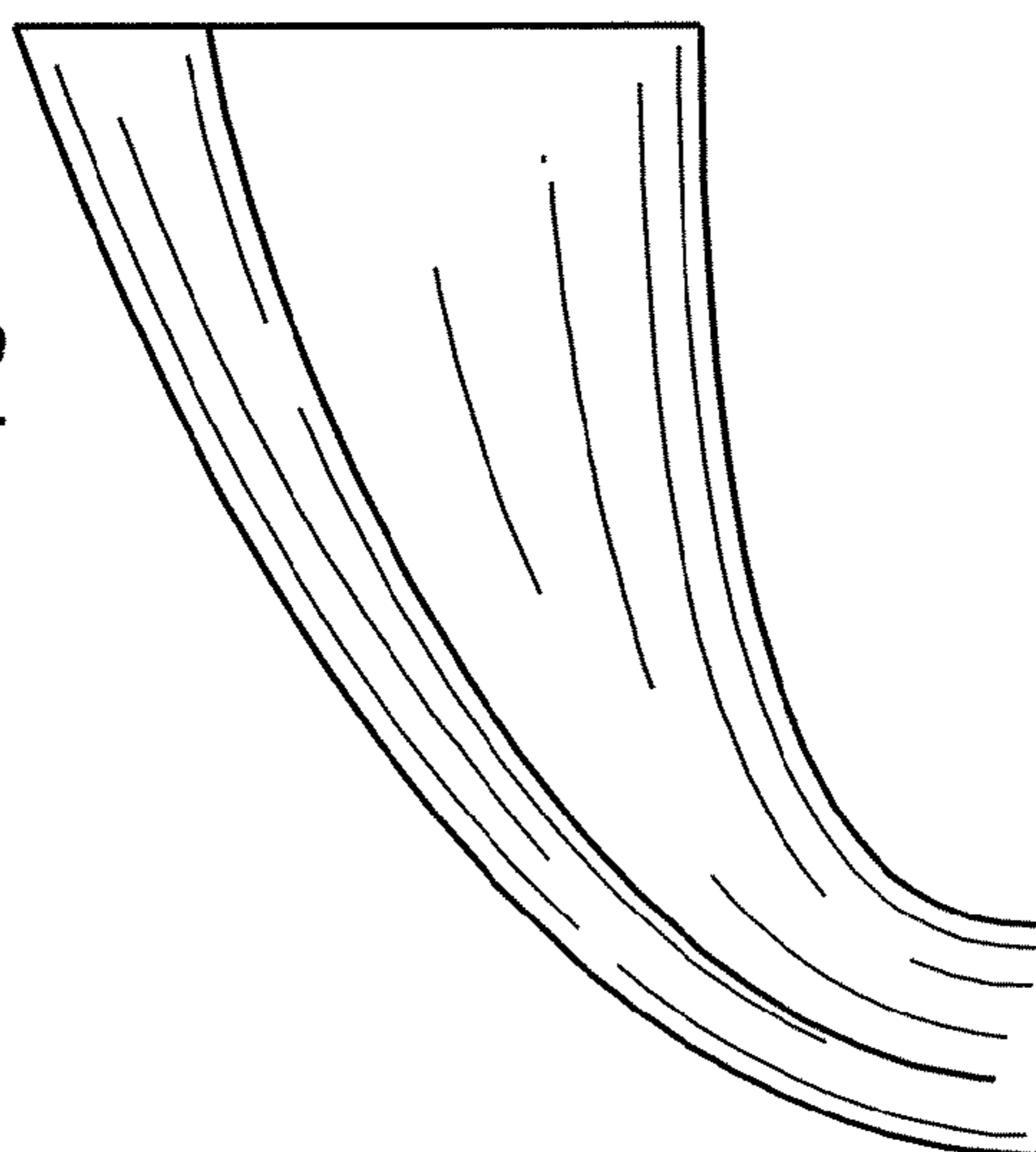


FIG. 3

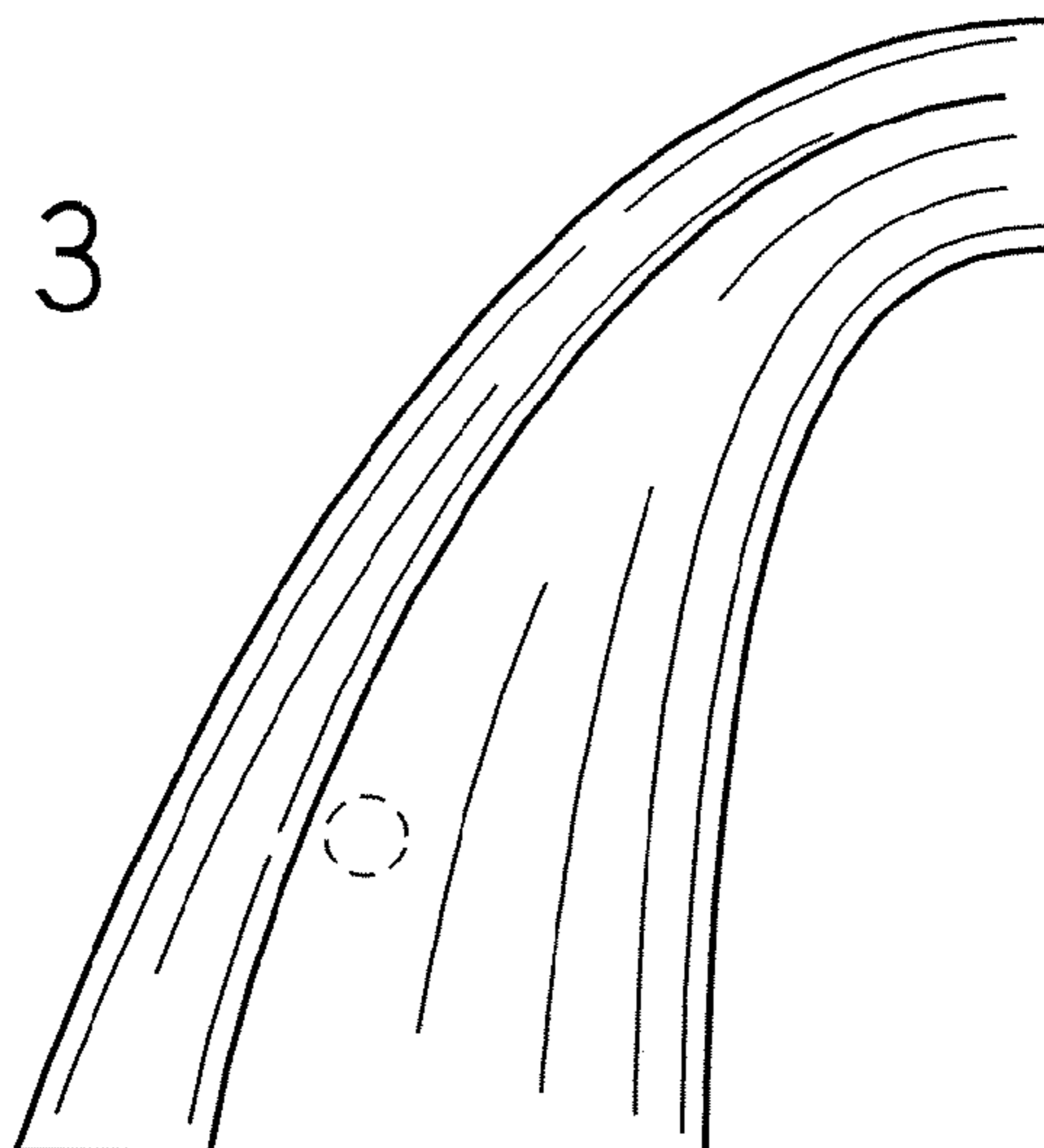


FIG. 4

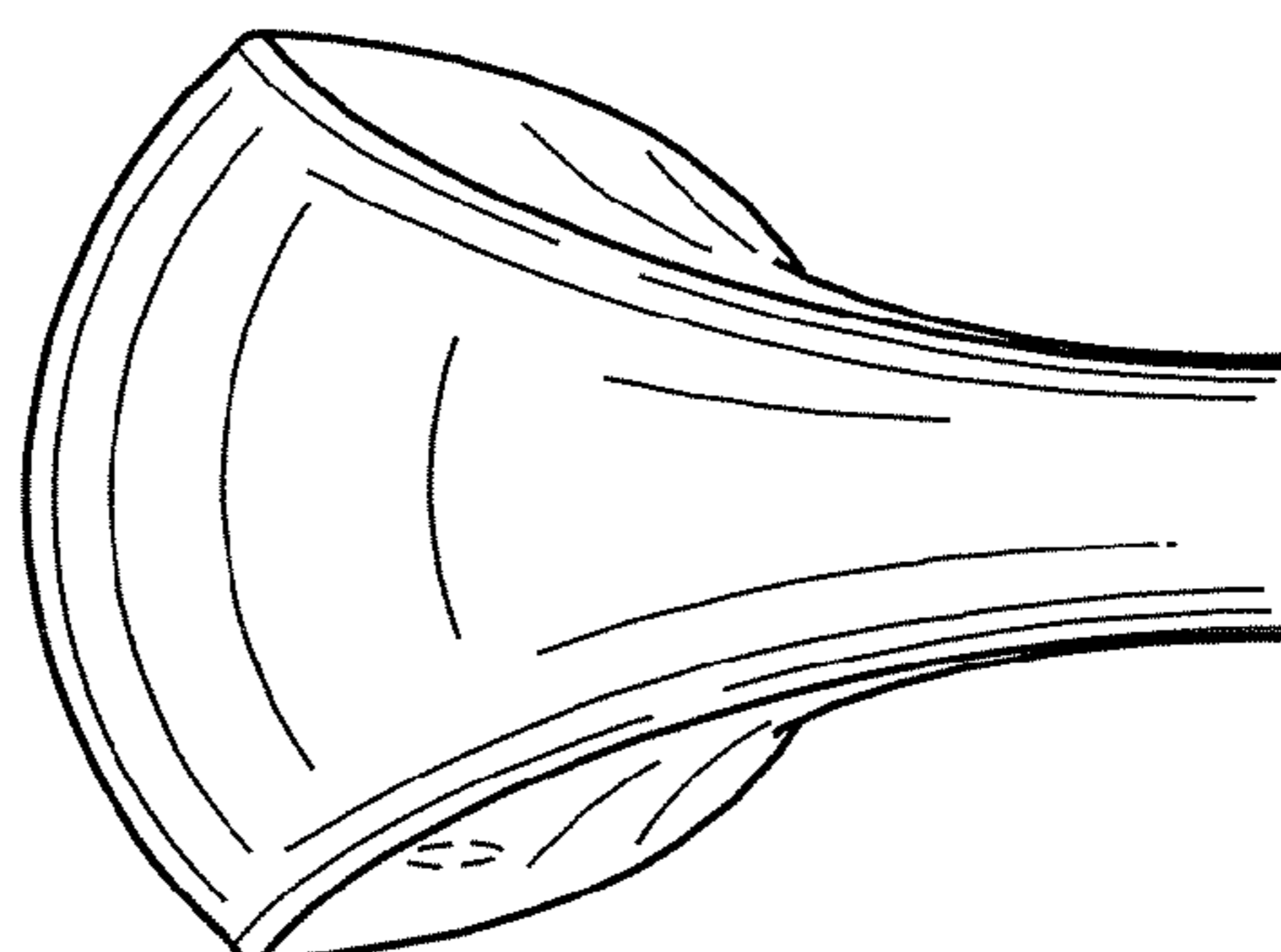


FIG. 5

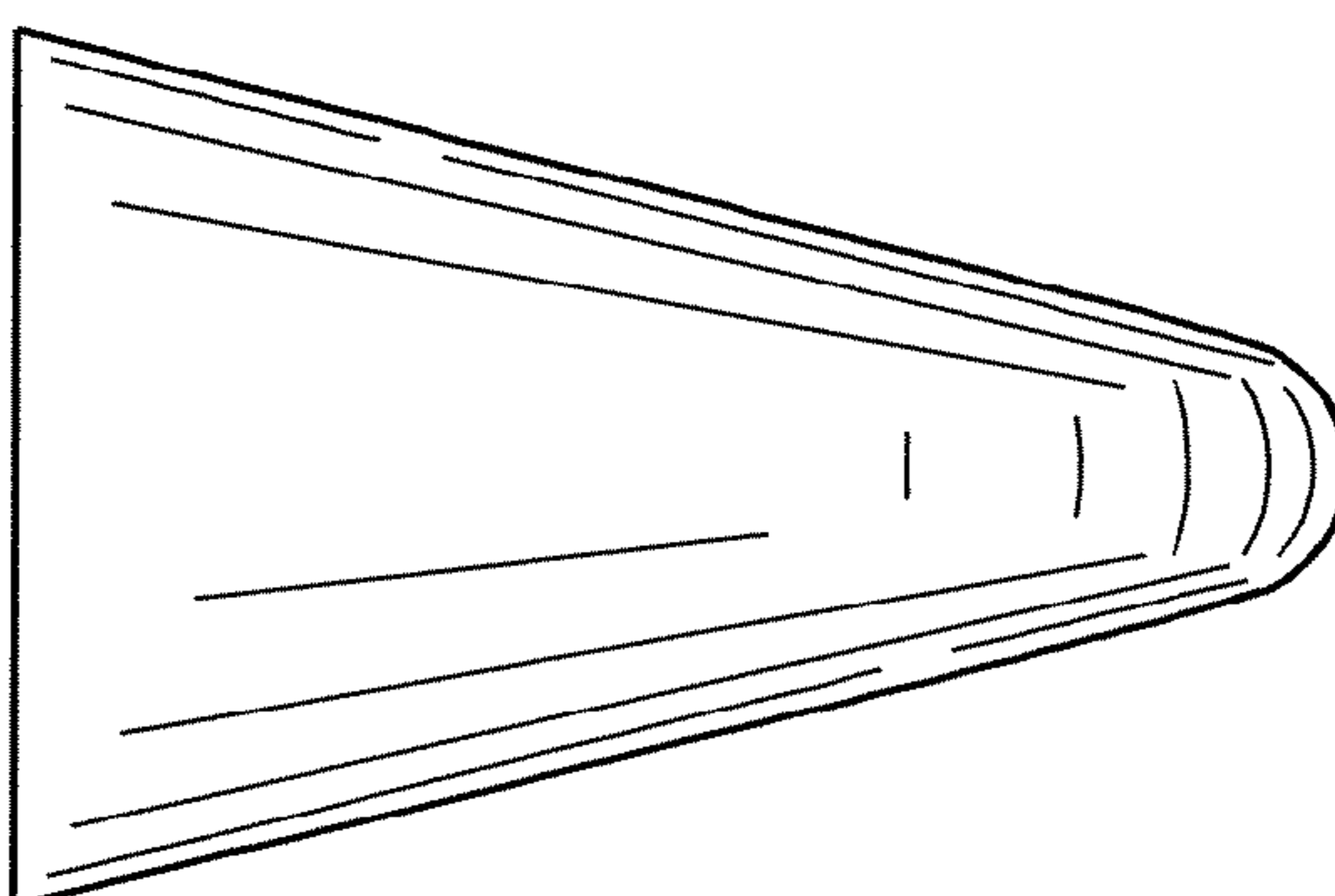


FIG. 6

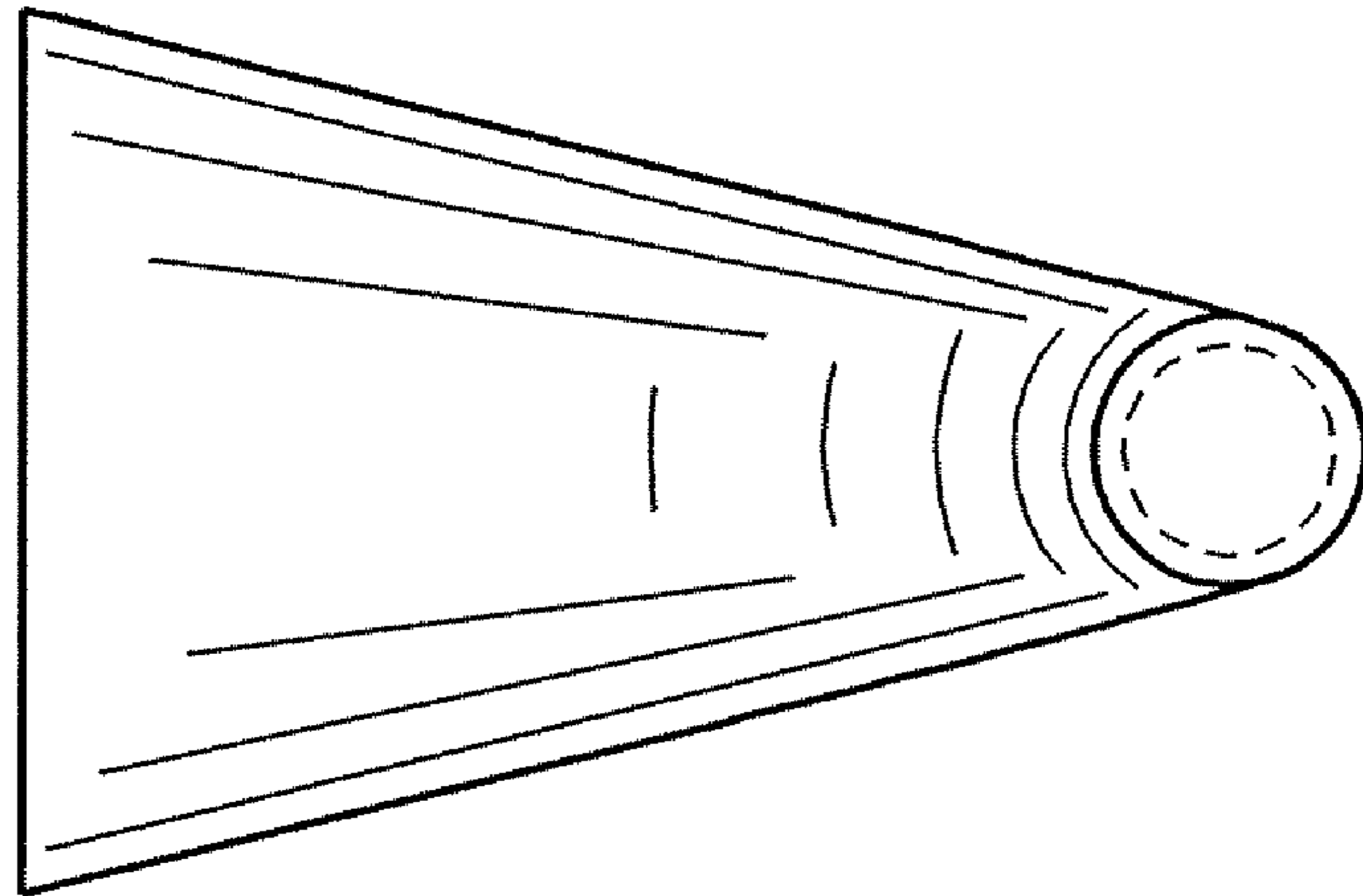


FIG. 7

