



US00D654741S

(12) **United States Design Patent**
Hansen

(10) **Patent No.:** **US D654,741 S**

(45) **Date of Patent:** **** Feb. 28, 2012**

(54) **TOWEL DISPENSER**

(75) Inventor: **Morten Reitz Hansen**, Fårevejle (DK)

(73) Assignee: **BP-Plast APS**, Fårevejle (DK)

(**) Term: **14 Years**

(21) Appl. No.: **29/401,156**

(22) Filed: **Sep. 8, 2011**

(30) **Foreign Application Priority Data**

Apr. 8, 2011 (EM) 1848110-0001

(51) **LOC (9) Cl.** **20-02**

(52) **U.S. Cl.** **D6/522**

(58) **Field of Classification Search** D6/515-523;
206/225, 233, 389, 391; 211/13.1, 45; 242/570,
242/590; 248/309.1, 309.2, 905; 221/26,
221/33, 282-283; 222/173, 180
See application file for complete search history.

(56) **References Cited**

U.S. PATENT DOCUMENTS

D440,088 S * 4/2001 Leines et al. D6/522
D447,373 S * 9/2001 Fisscher D6/518
D463,929 S * 10/2002 Fitzsimmons et al. D6/515
D522,781 S * 6/2006 Wieser et al. D6/518
D525,465 S * 7/2006 Omdoll et al. D6/518

D564,268 S * 3/2008 Tomic et al. D6/518
D568,655 S * 5/2008 Friesen et al. D6/518
D583,174 S * 12/2008 Kuehneman et al. D6/522
D619,837 S * 7/2010 Kim D6/518
D623,452 S * 9/2010 McNeely et al. D6/518
D637,841 S * 5/2011 Omdoll et al. D6/518

* cited by examiner

Primary Examiner — Brian N Vinson

(74) *Attorney, Agent, or Firm* — Birch, Stewart, Kolasch & Birch, LLP

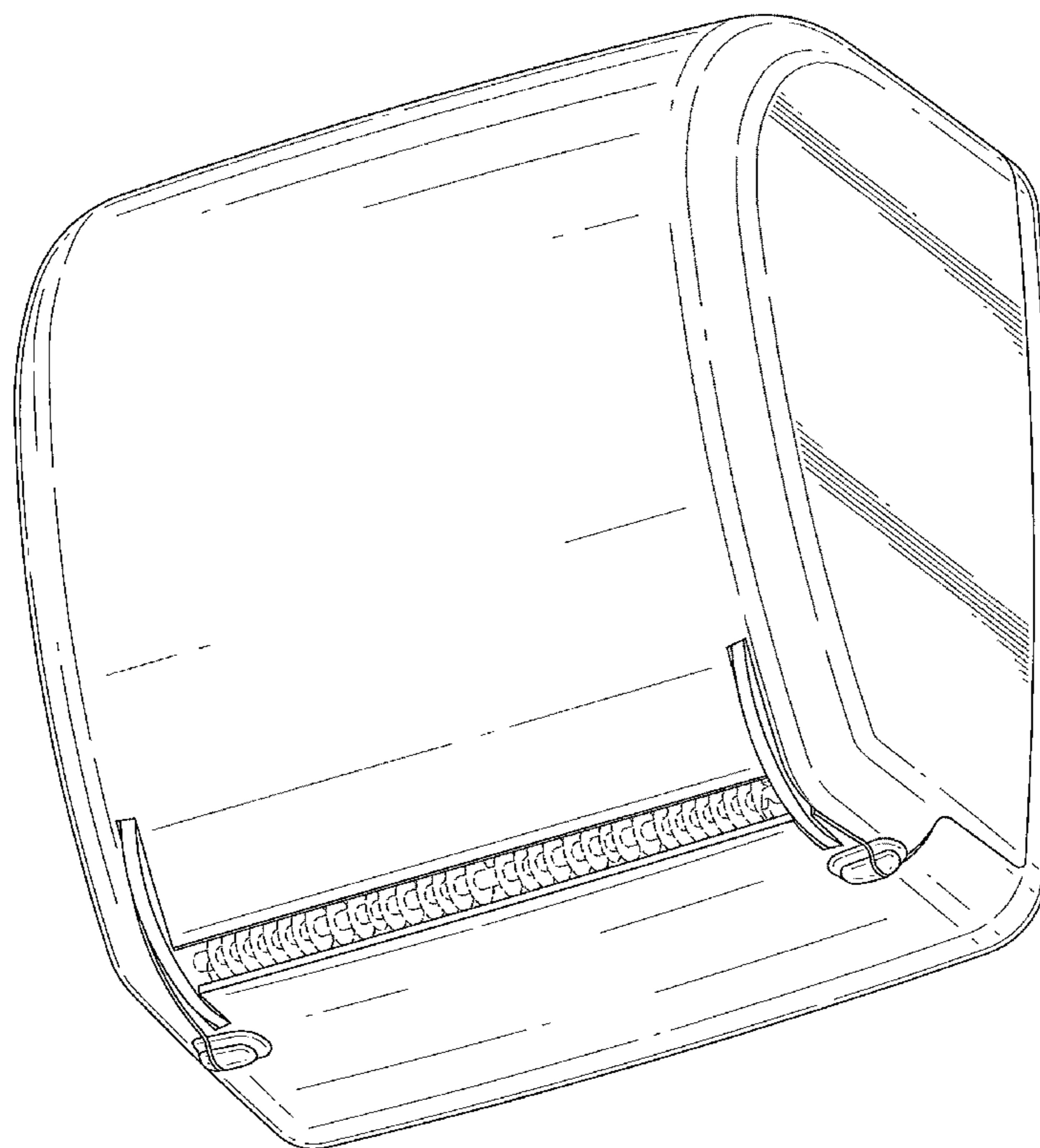
(57) **CLAIM**

The ornamental design for a towel dispenser, as shown and described,

DESCRIPTION

FIG. 1 is a front, upper left perspective view of a towel dispenser showing my new design;
FIG. 2 is a front, lower right perspective view thereof;
FIG. 3 is a front view thereof;
FIG. 4 is a top view thereof;
FIG. 5 is a bottom view thereof;
FIG. 6 is a right side view thereto; and,
FIG. 7 is a left side view thereto.
A back view is omitted because it is plain and unornamental and forms no part of the claimed design. The broken lines illustrated in drawings form no part of the claimed design.

1 Claim, 7 Drawing Sheets



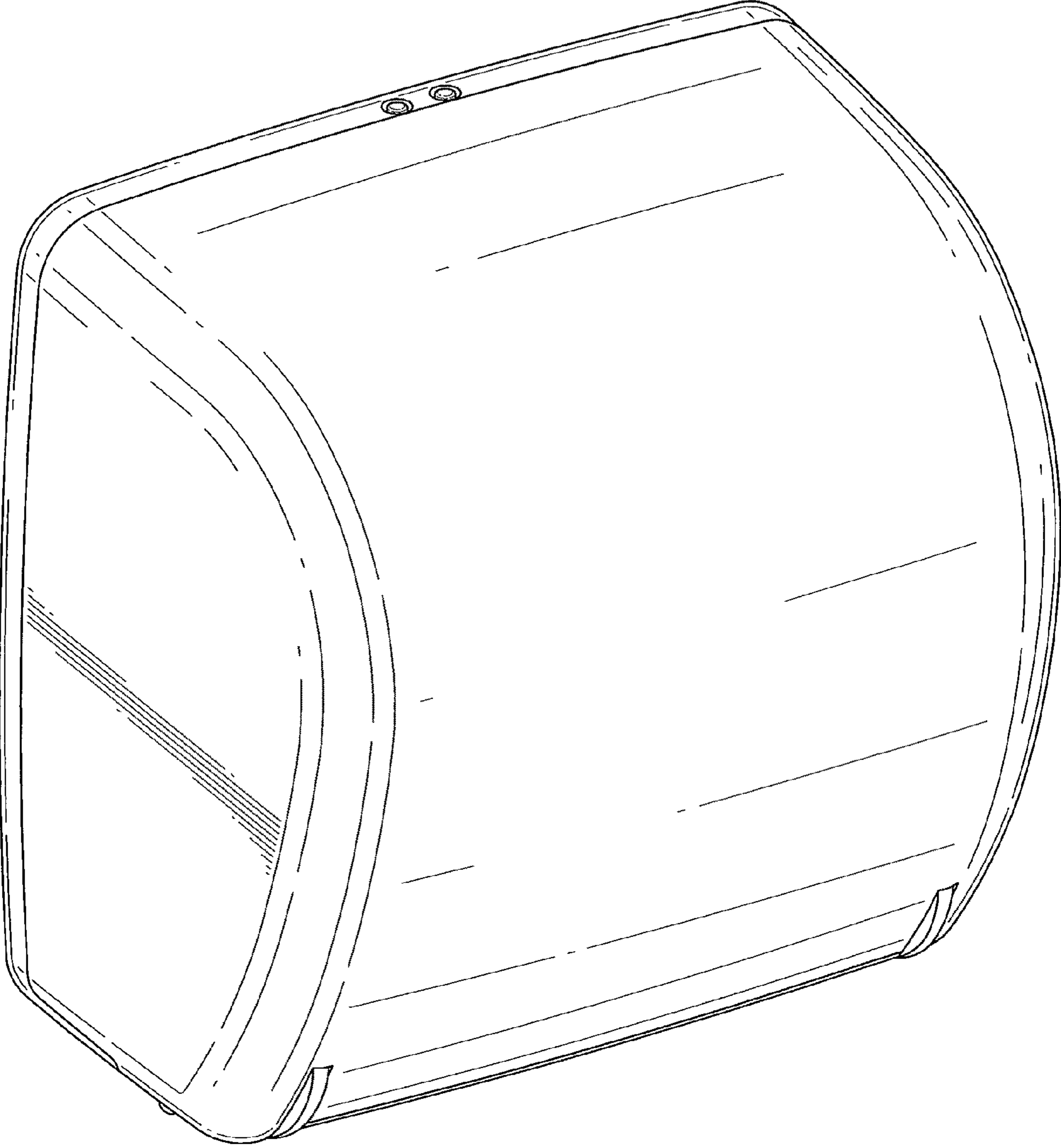


FIG. 1

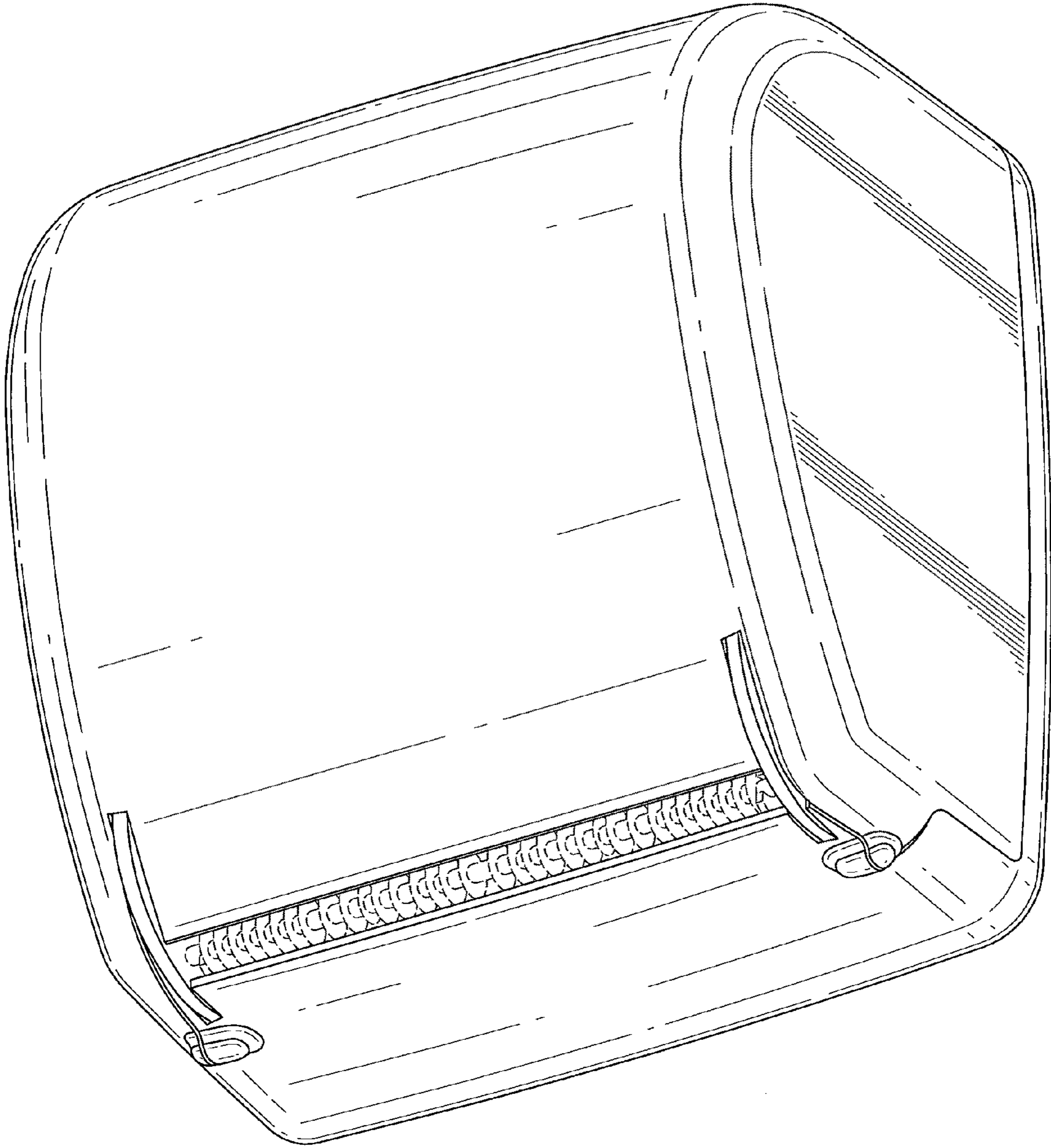


FIG.2

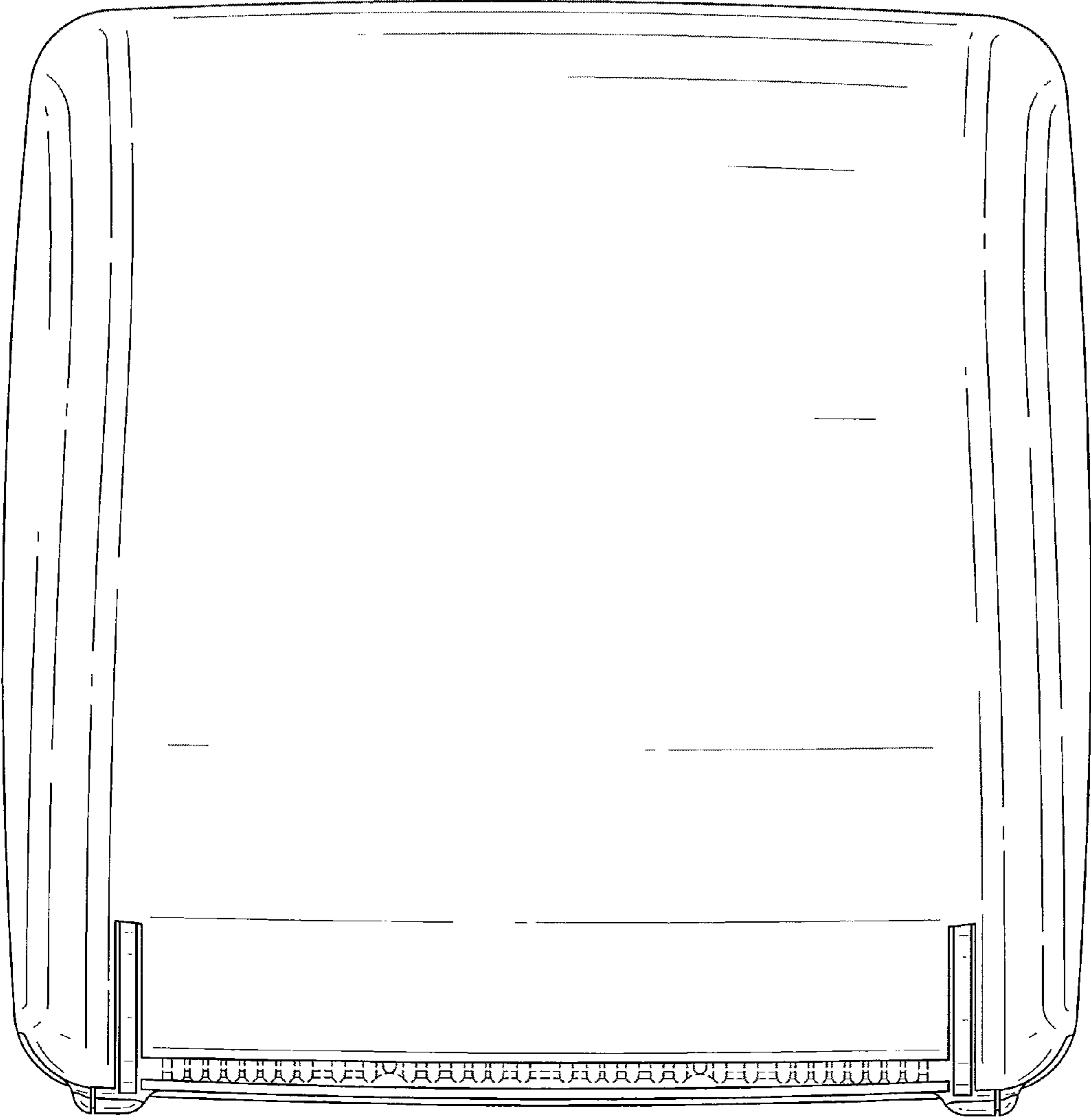


FIG.3

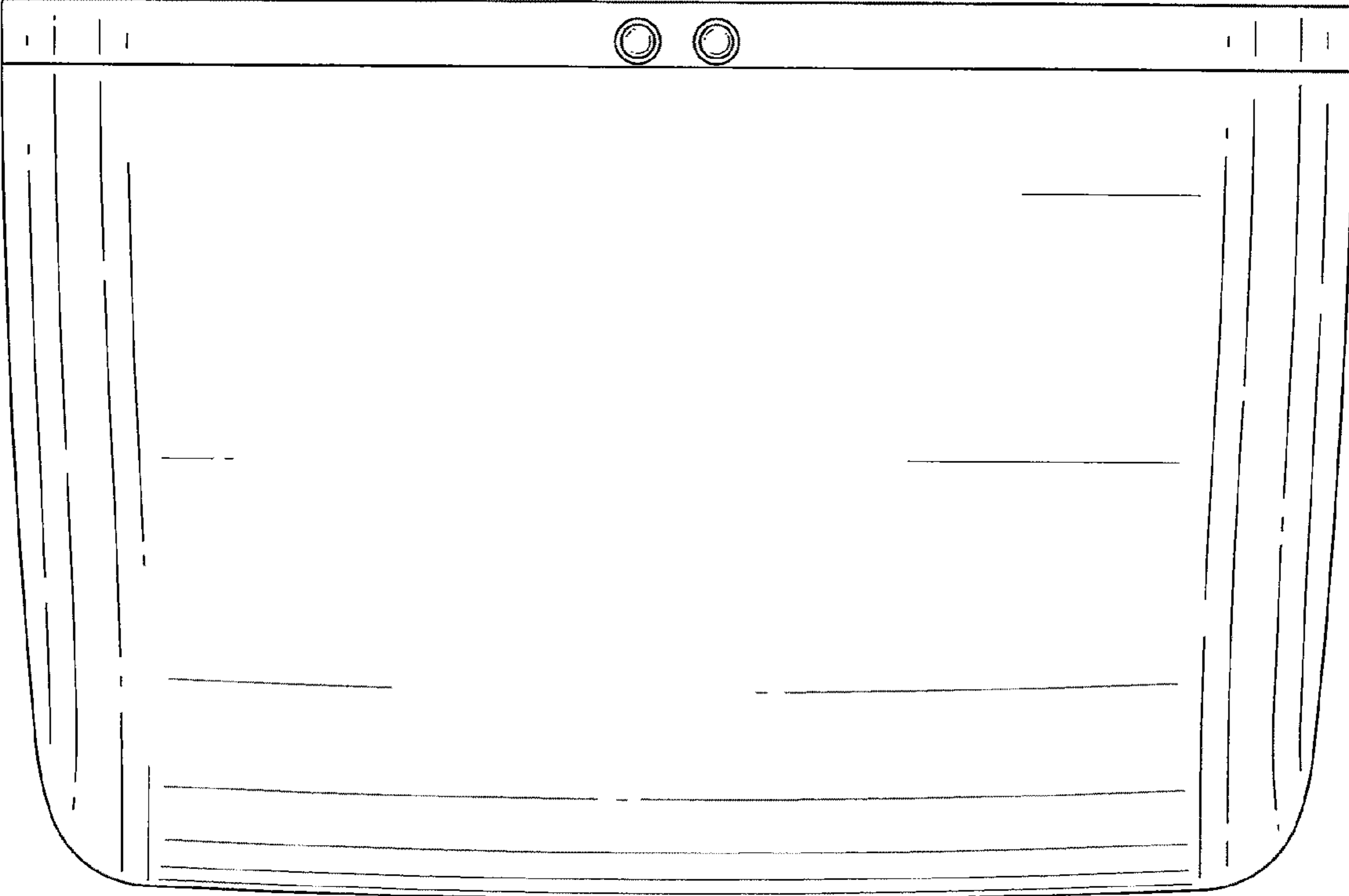


FIG.4

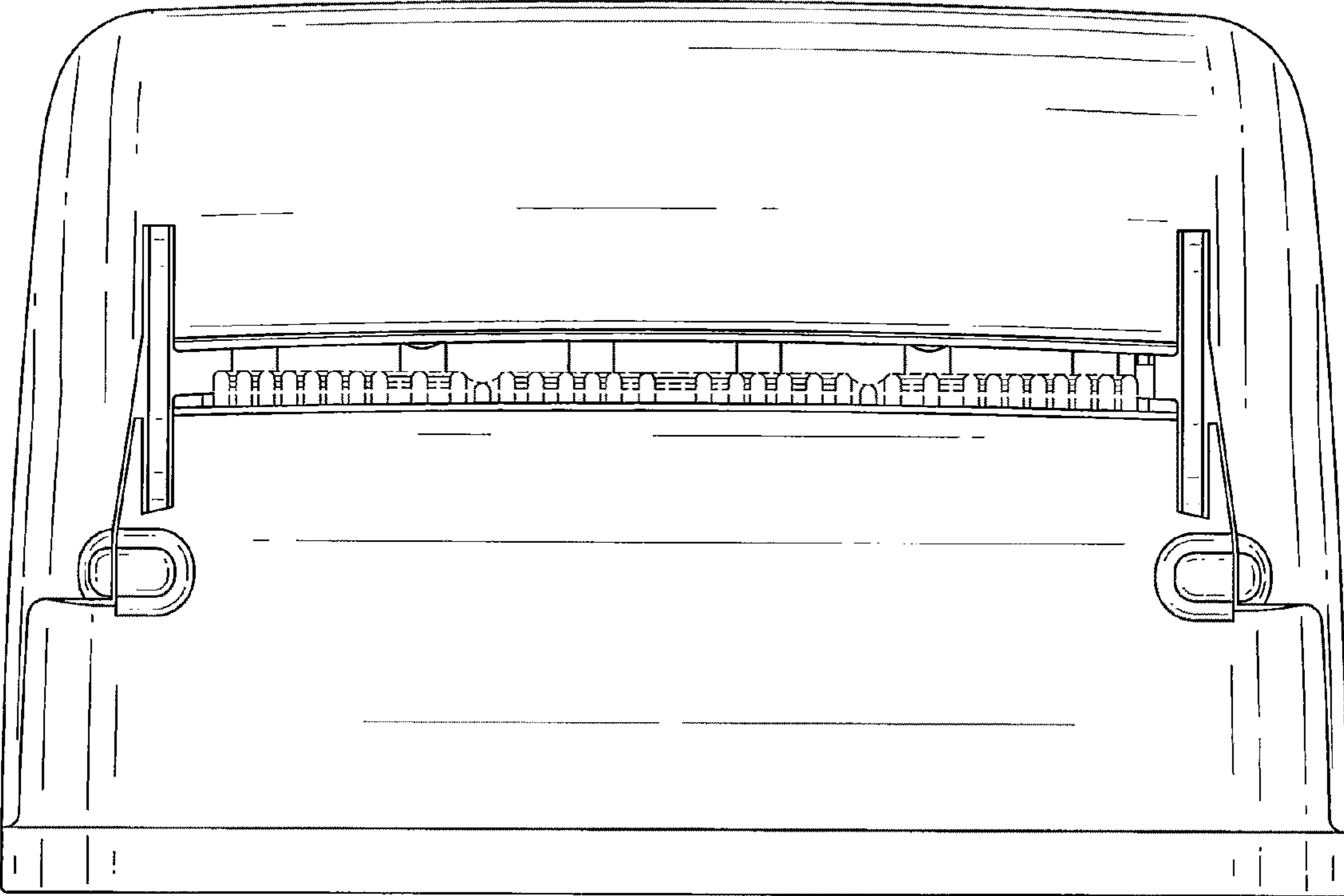


FIG.5

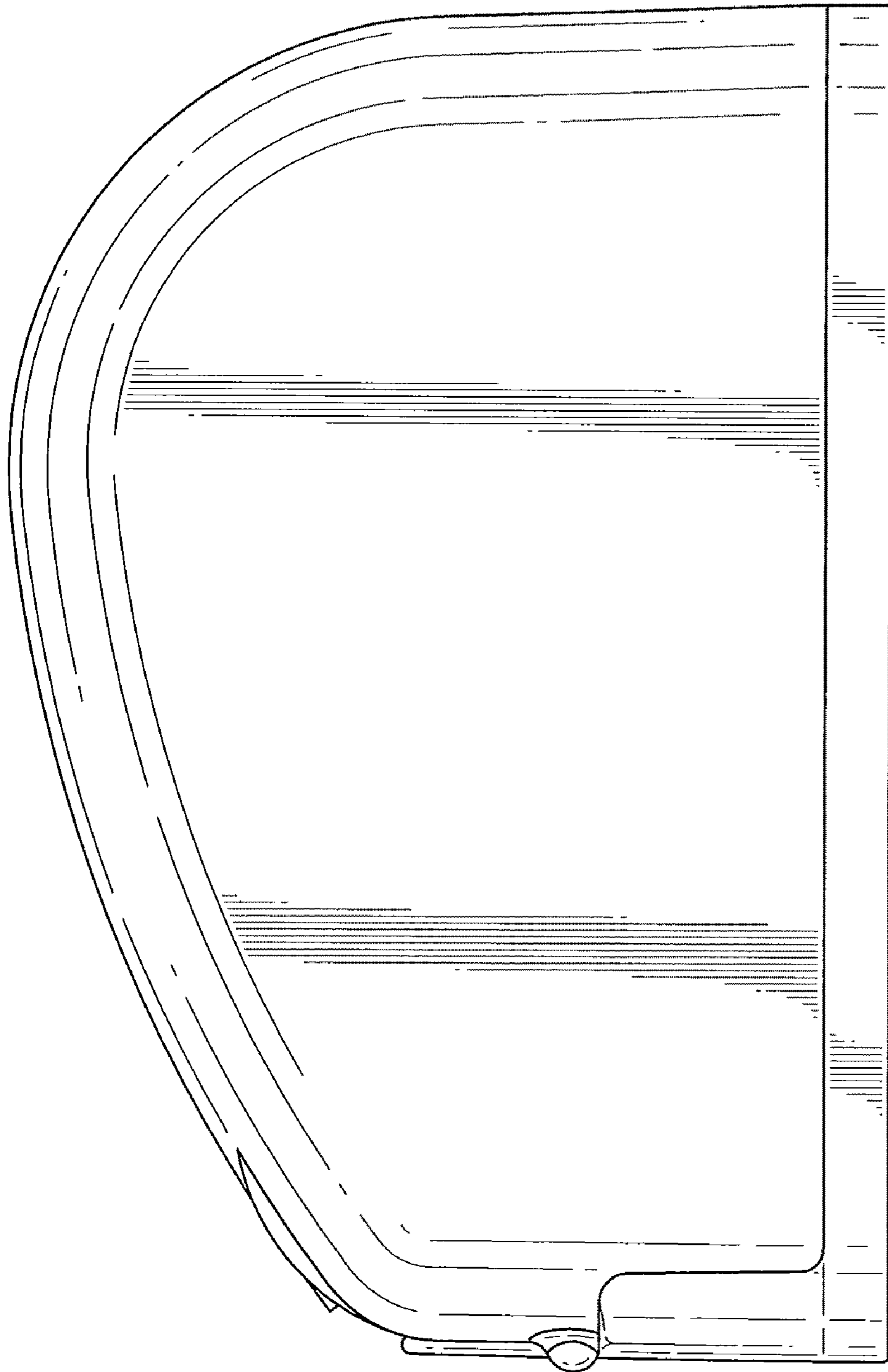


FIG.6

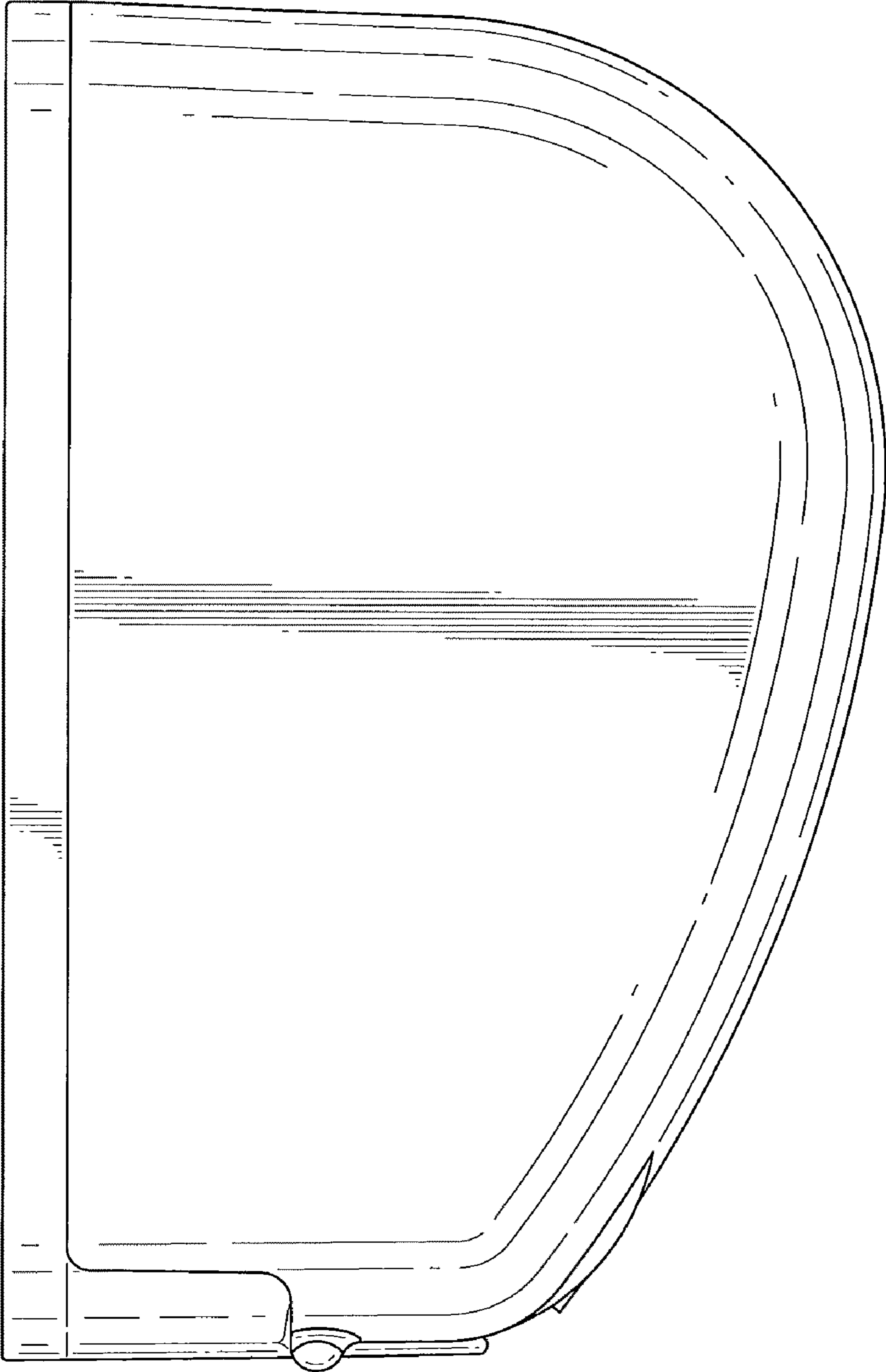


FIG.7