



US00D654739S

(12) **United States Design Patent**
Chin et al.

(10) **Patent No.:** **US D654,739 S**

(45) **Date of Patent:** **** Feb. 28, 2012**

(54) **DISPOSABLE BAG DISPENSER**

(75) Inventors: **Jennifer Chin**, Bridgeport, CT (US);
Evan Williams, Hoboken, NJ (US)

(73) Assignee: **Playtex Products, LLC.**, Shelton, CT
(US)

(**) Term: **14 Years**

(21) Appl. No.: **29/389,708**

(22) Filed: **Apr. 15, 2011**

(51) **LOC (9) Cl.** **20-02**

(52) **U.S. Cl.** **D6/518**

(58) **Field of Classification Search** D6/515–523;
206/225, 233, 389, 391; 211/13.1; 222/173,
222/180; 221/26, 33, 282–283, 61; 242/270,
242/590; 248/309.1, 309.2, 905

See application file for complete search history.

(56) **References Cited**

U.S. PATENT DOCUMENTS

3,648,910	A	3/1972	Benson et al.	
5,135,134	A *	8/1992	Dancy	221/61
5,660,313	A	8/1997	Newbold	
5,680,978	A	10/1997	Pinion	
5,970,922	A	10/1999	Lin	
6,003,669	A	12/1999	Baricevic	
6,076,717	A	6/2000	Edwards et al.	
6,098,836	A	8/2000	Gottselig	
6,446,808	B1	9/2002	Paul et al.	
D464,179	S *	10/2002	Petersen et al.	D6/518
D502,622	S *	3/2005	Berger	D6/515
D522,780	S *	6/2006	Sellars	D6/518
D549,099	S *	8/2007	Edwards	D6/518
7,255,254	B2	8/2007	Tan	
D571,135	S	6/2008	Collado	
D603,635	S	11/2009	Krebs	
D609,039	S *	2/2010	Serfaty	D6/518

D613,006	S	3/2010	Anderson	
D616,233	S *	5/2010	Yang	D6/518
7,850,039	B1	12/2010	Tsengas	
2006/0118588	A1	6/2006	Edwards	
2008/0110919	A1	5/2008	Lincoln et al.	
2009/0066201	A1	3/2009	Colon et al.	
2009/0194553	A1	8/2009	Hoefing et al.	

* cited by examiner

Primary Examiner — Brian N Vinson

(74) *Attorney, Agent, or Firm* — Ohlandt, Greeley, Ruggiero
& Perle, L.L.P.

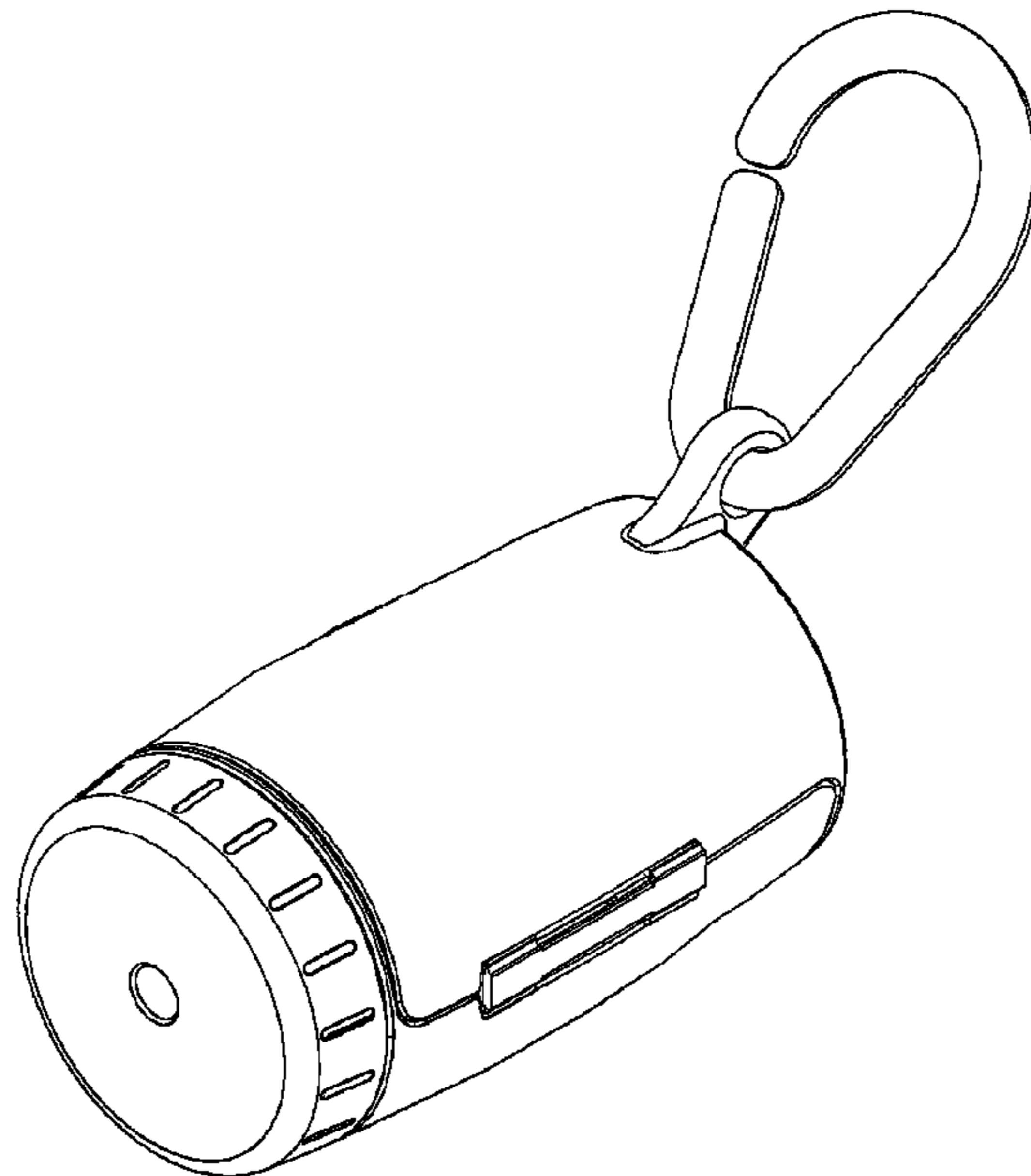
(57) **CLAIM**

The ornamental design for a disposable bag dispenser, as shown and described.

DESCRIPTION

FIG. 1 is a front, top perspective view of the disposable bag dispenser according to the present design; FIG. 2 is a front view of the disposable bag dispenser of FIG. 1; FIG. 3 is a rear view of the disposable bag dispenser of FIG. 1; FIG. 4 is a left side view of the disposable bag dispenser of FIG. 1; FIG. 5 is a right side view of the disposable bag dispenser of FIG. 1; FIG. 6 is a top view of the disposable bag dispenser of FIG. 1; FIG. 7 is a bottom view of the disposable bag dispenser of FIG. 1; FIG. 8 is a top, perspective view of the disposable bag dispenser of FIG. 1 in an open configuration; and, FIG. 9 is a bottom, perspective view of the disposable bag dispenser of FIG. 1 in the open configuration.

1 Claim, 9 Drawing Sheets



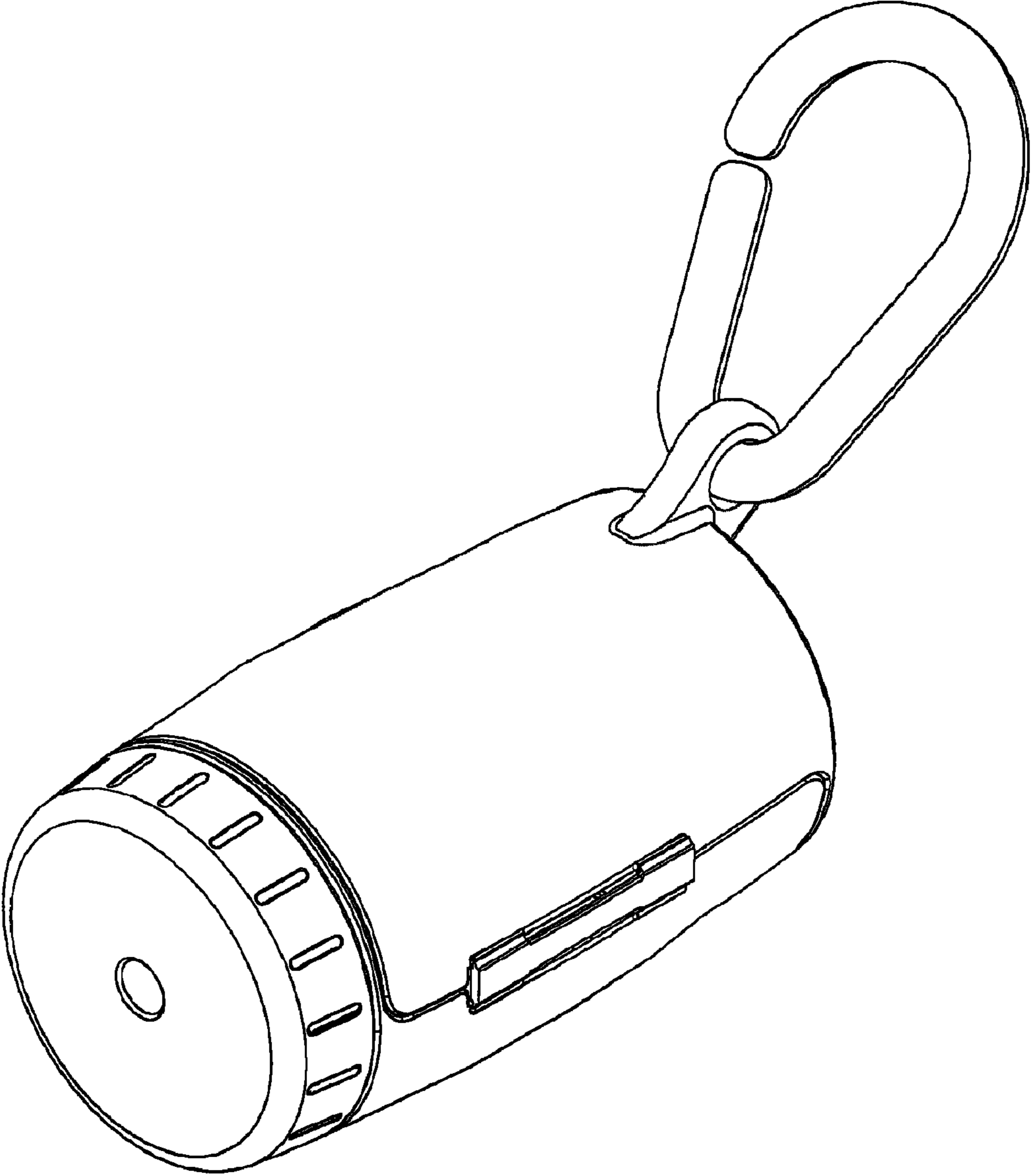


FIG. 1

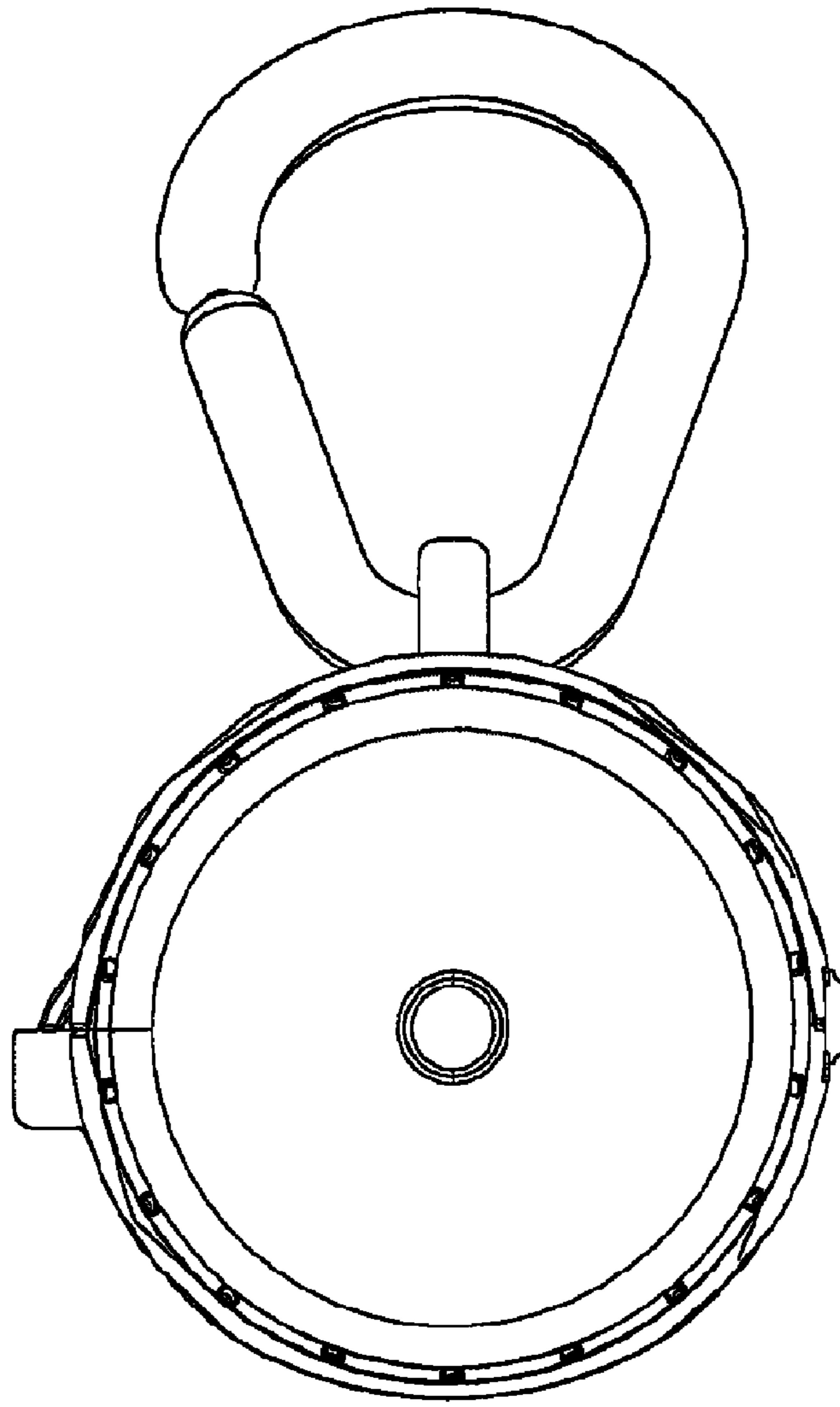


FIG. 2

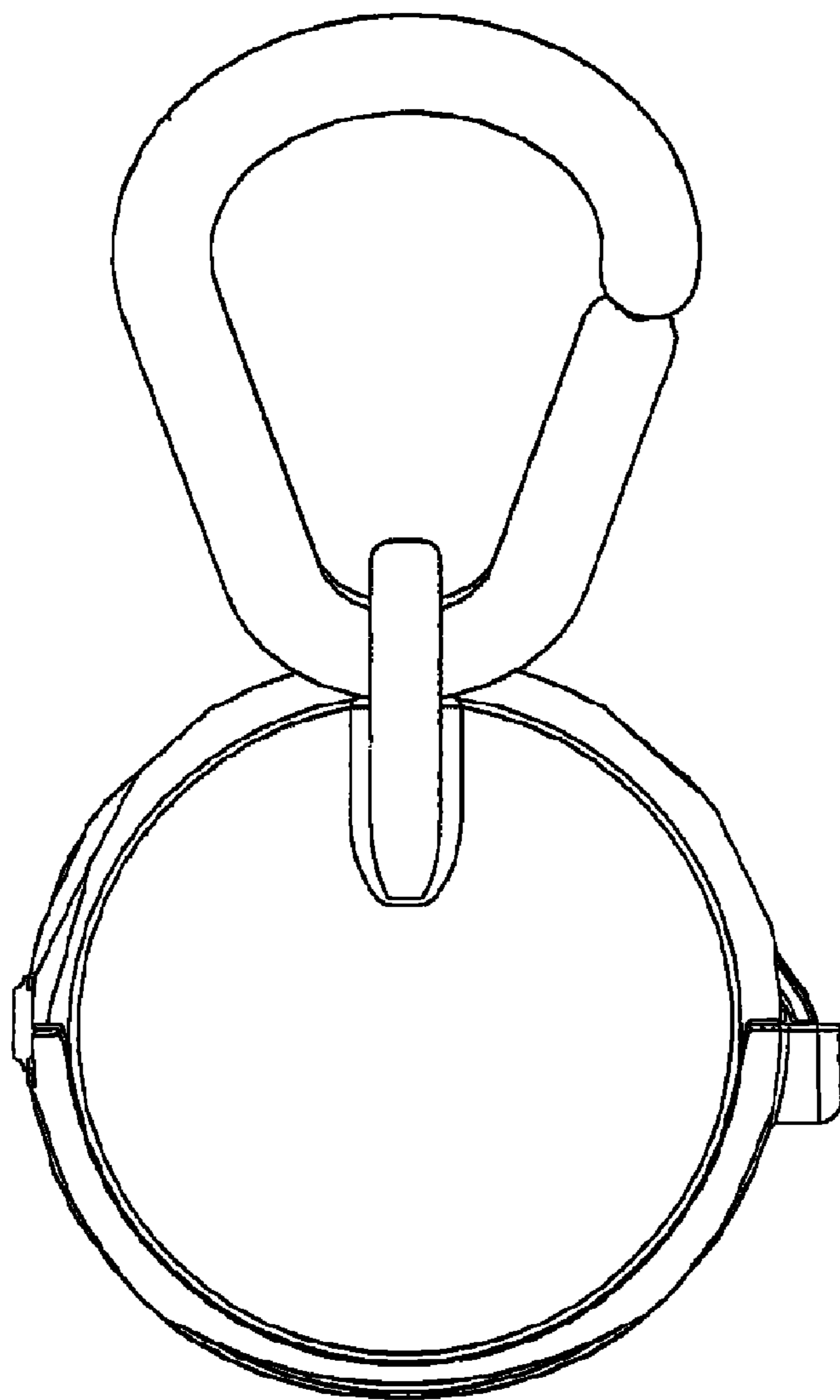


FIG. 3

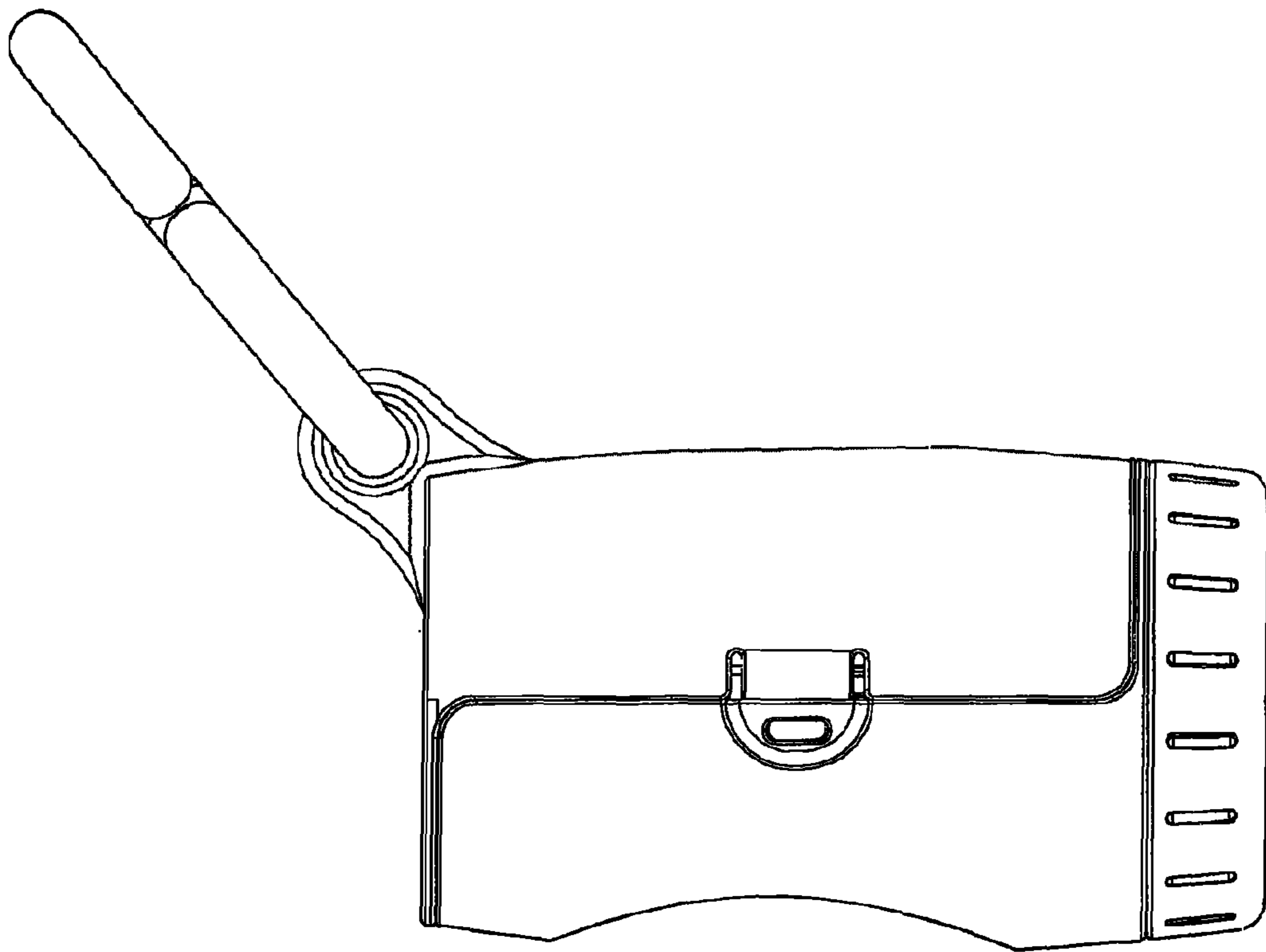


FIG. 4

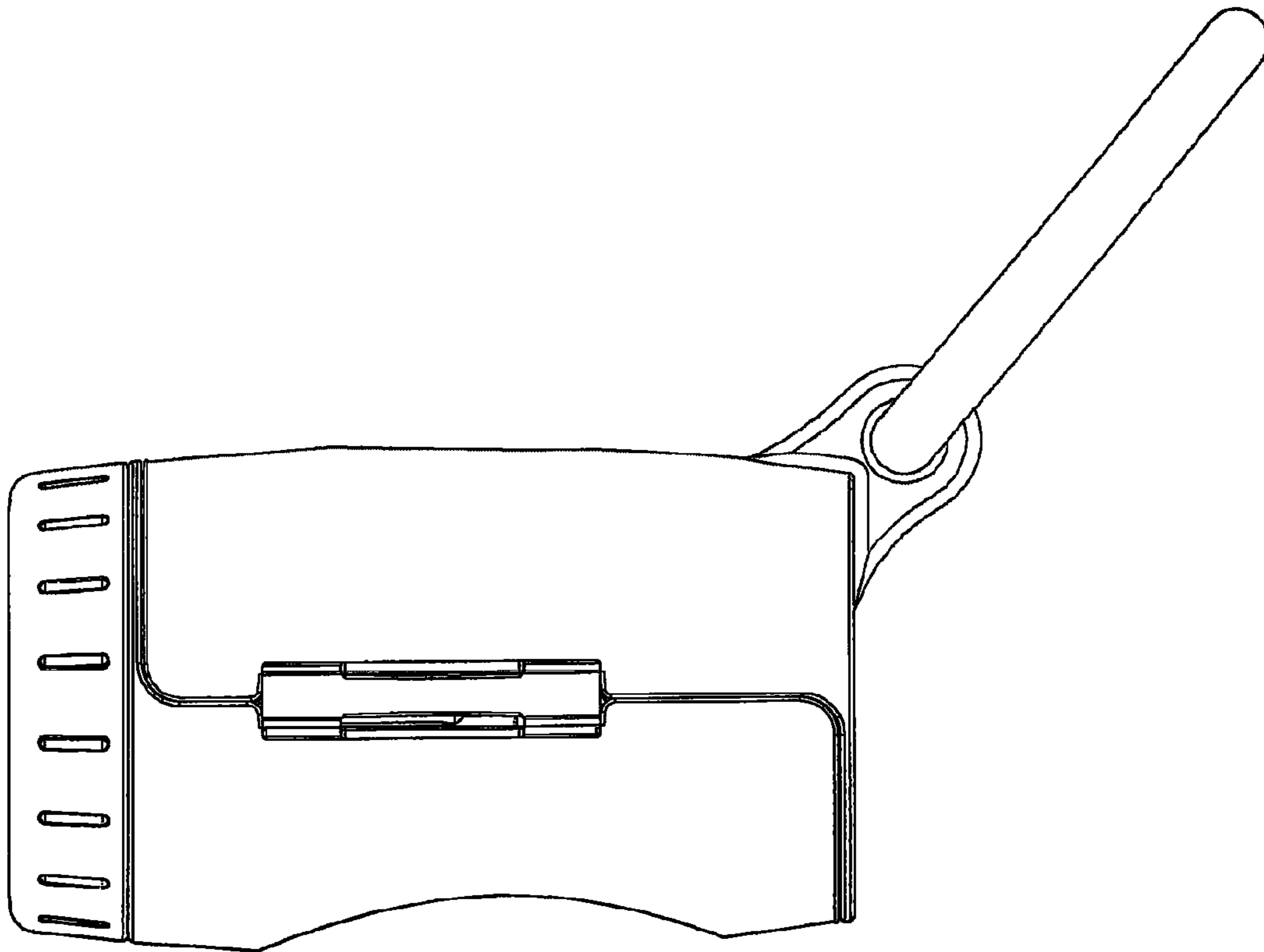


FIG. 5

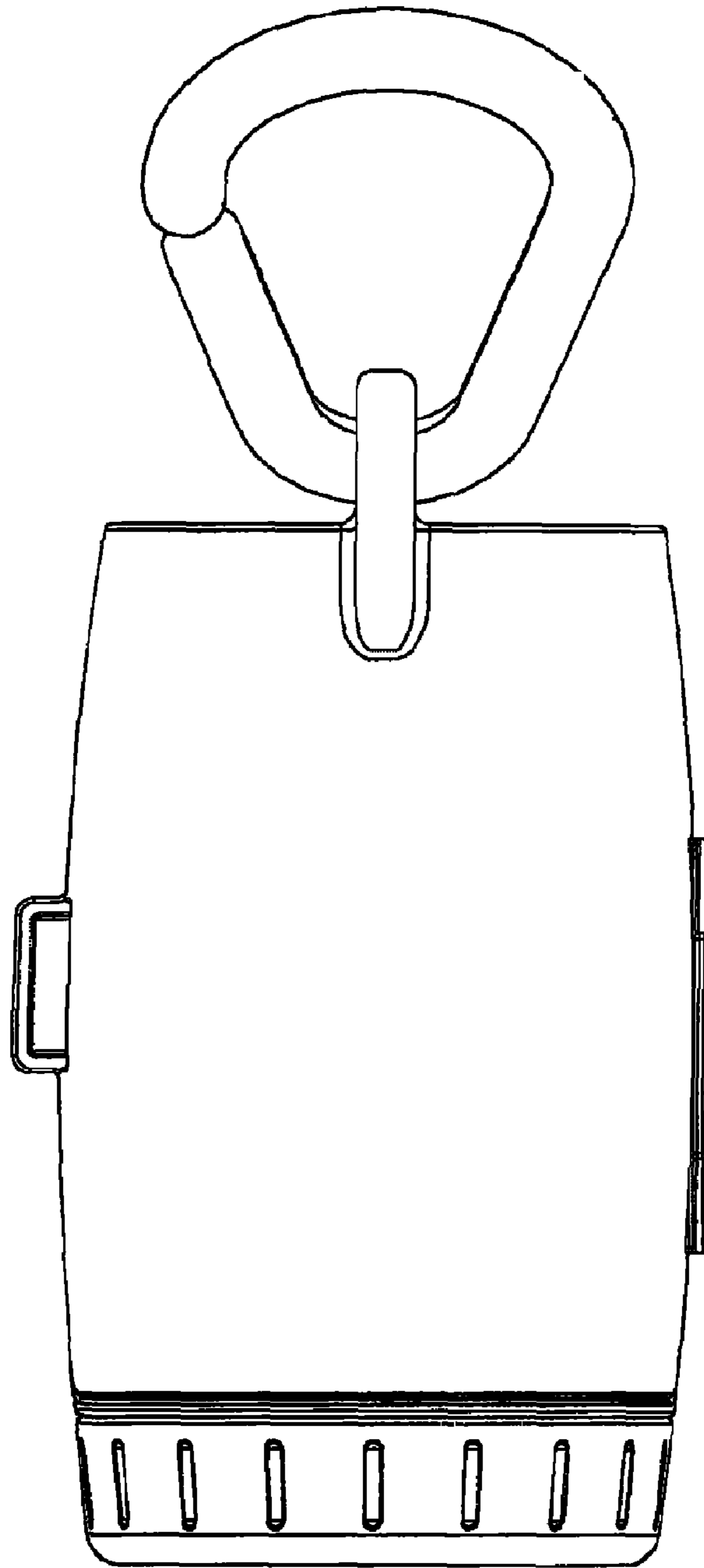


FIG. 6

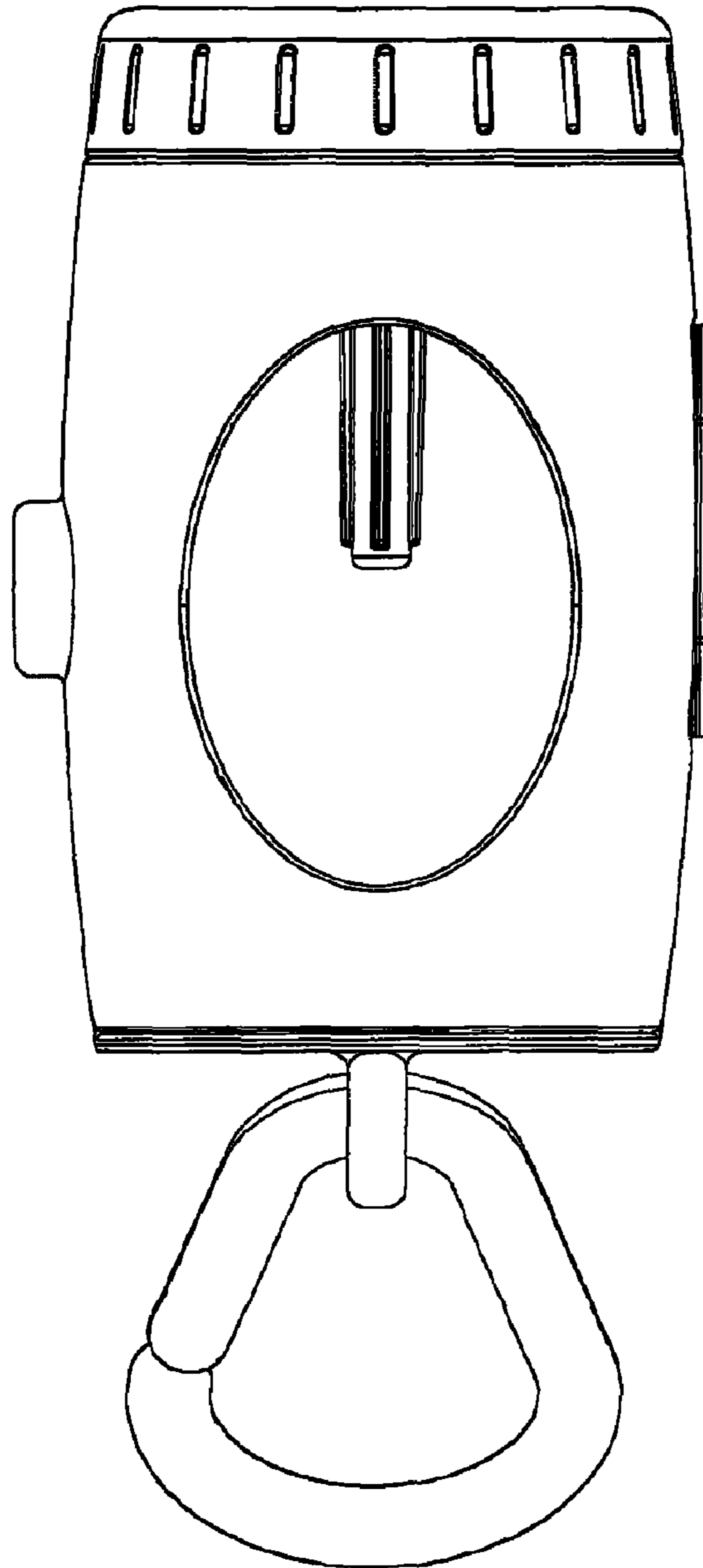


FIG. 7

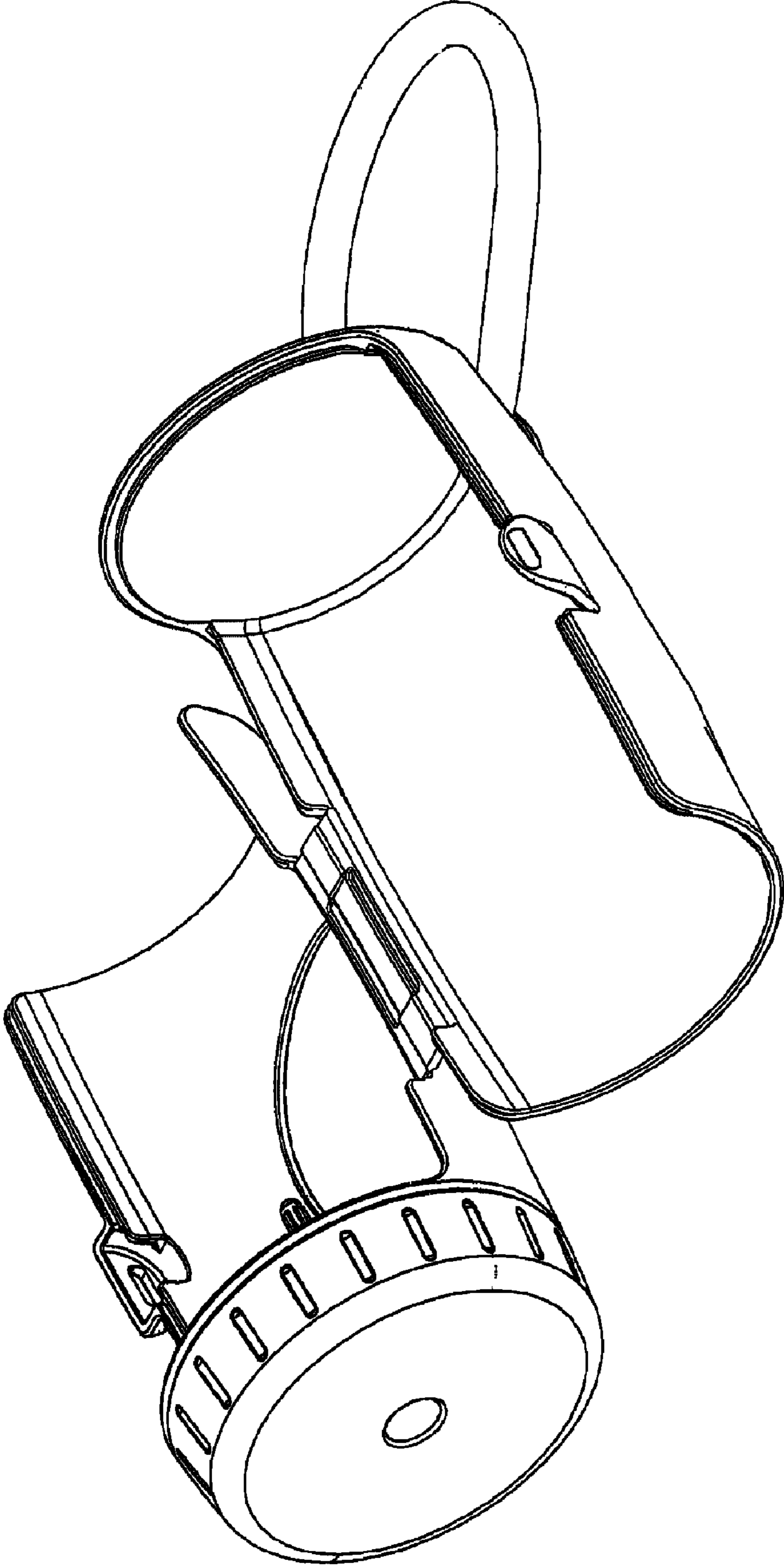


FIG. 8

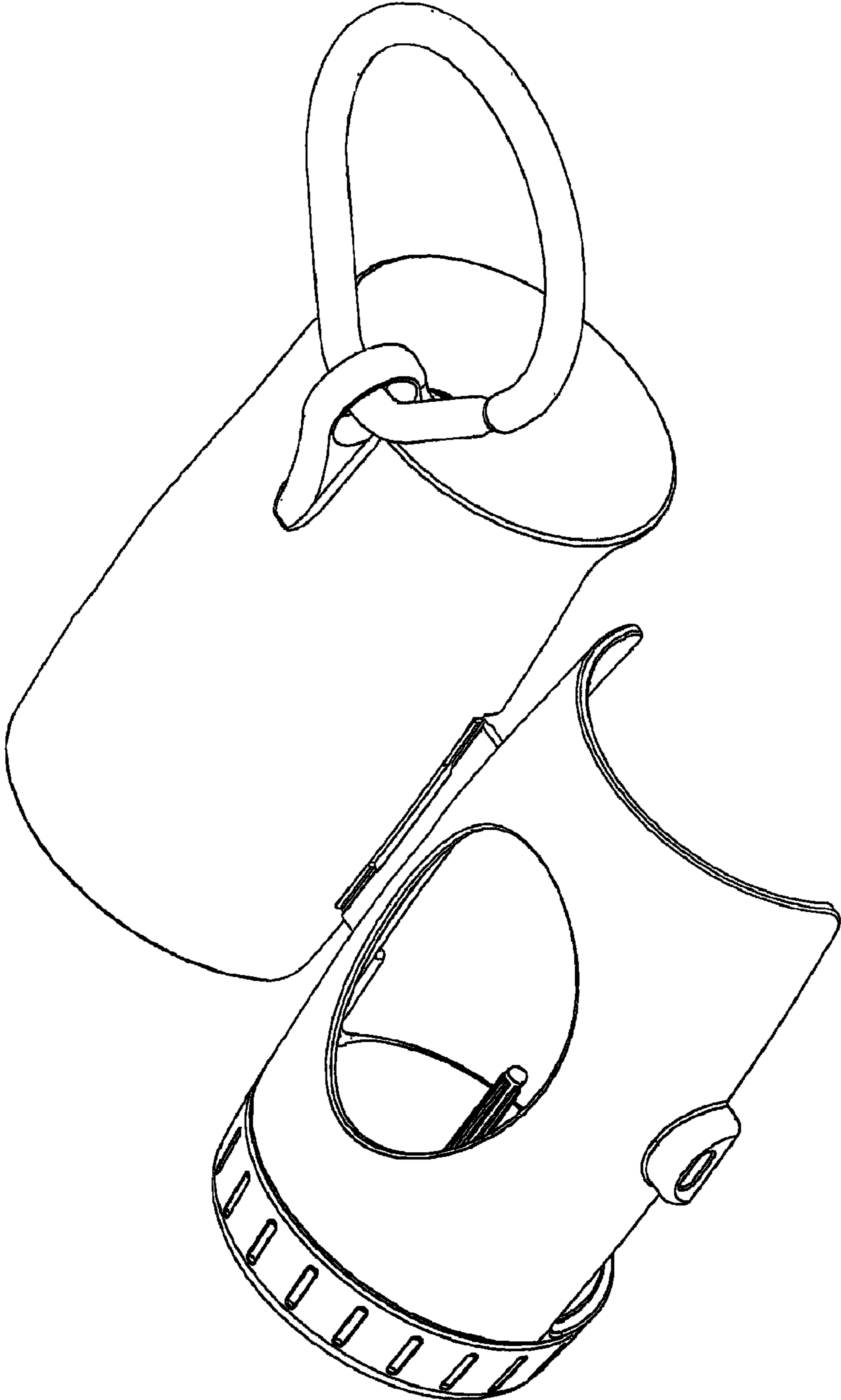


FIG. 9