



US00D654736S

(12) **United States Design Patent**
Gaska et al.

(10) **Patent No.:** **US D654,736 S**
(45) **Date of Patent:** **** Feb. 28, 2012**

(54) **MODULAR DRAWERS**

(75) Inventors: **Gil Anthony Gaska**, Saint Joseph, MI (US); **Travis Michael Perkins**, Granger, IN (US); **Scott M. Collins**, Newburgh, IN (US)

(73) Assignee: **Whirlpool Corporation**, Benton Harbor, MI (US)

(**) **Term:** **14 Years**

(21) **Appl. No.:** **29/362,095**

(22) **Filed:** **May 20, 2010**

Related U.S. Application Data

(62) Division of application No. 29/276,802, filed on Feb. 6, 2007, now Pat. No. Des. 618,019.

(51) **LOC (9) Cl.** **06-06**

(52) **U.S. Cl.** **D6/510**

(58) **Field of Classification Search** D3/247;
D6/396-397, 432-436, 443-448, 491-492,
D6/509-511, 561, 583; D9/773; D12/203;
D15/91; D25/62, 109, 163; D34/1, 27; 312/204
See application file for complete search history.

(56) **References Cited**

U.S. PATENT DOCUMENTS

D441,093	S	*	4/2001	Johnson	D25/62
D456,533	S	*	4/2002	Moller, Jr.	D25/163
D474,563	S	*	5/2003	Bresciani	D25/109
D505,237	S	*	5/2005	Schmidt et al.	D34/27
D508,504	S	*	8/2005	Schmidt et al.	D15/91
D510,832	S	*	10/2005	Schmidt et al.	D6/561
D512,733	S	*	12/2005	Schmidt et al.	D15/91
D517,574	S	*	3/2006	Schmidt et al.	D15/91
D523,035	S	*	6/2006	Schmidt et al.	D15/91
D523,036	S	*	6/2006	Schmidt et al.	D15/91
D536,713	S	*	2/2007	Schmidt et al.	D15/91
D540,095	S	*	4/2007	Lee	D6/583

D544,259	S	*	6/2007	Schmidt et al.	D6/510
D546,598	S	*	7/2007	Schmidt et al.	D6/510
D547,577	S	*	7/2007	Gaska et al.	D6/510
D548,502	S	*	8/2007	Gaska et al.	D6/510
D550,004	S	*	9/2007	Gaska et al.	D6/510
D551,883	S	*	10/2007	Gaska et al.	D6/510
D561,080	S	*	2/2008	Soshkin	D12/203
D561,506	S	*	2/2008	Gaska et al.	D6/510
D563,699	S	*	3/2008	Schmidt et al.	D6/510
D564,903	S	*	3/2008	Stephens	D9/773
D586,595	S	*	2/2009	Gaska et al.	D6/510
D593,321	S	*	6/2009	Wente	D3/247
D618,019	S	*	6/2010	Gaska et al.	D6/510
D618,020	S	*	6/2010	Gaska et al.	D6/510

* cited by examiner

Primary Examiner — Ricky Pham

(74) *Attorney, Agent, or Firm* — Tara M. Hartman; Robert L. Judd

(57) **CLAIM**

The ornamental design for the modular drawers, as shown and described.

DESCRIPTION

FIG. 1 is a left front perspective view of the design of the modular drawers;

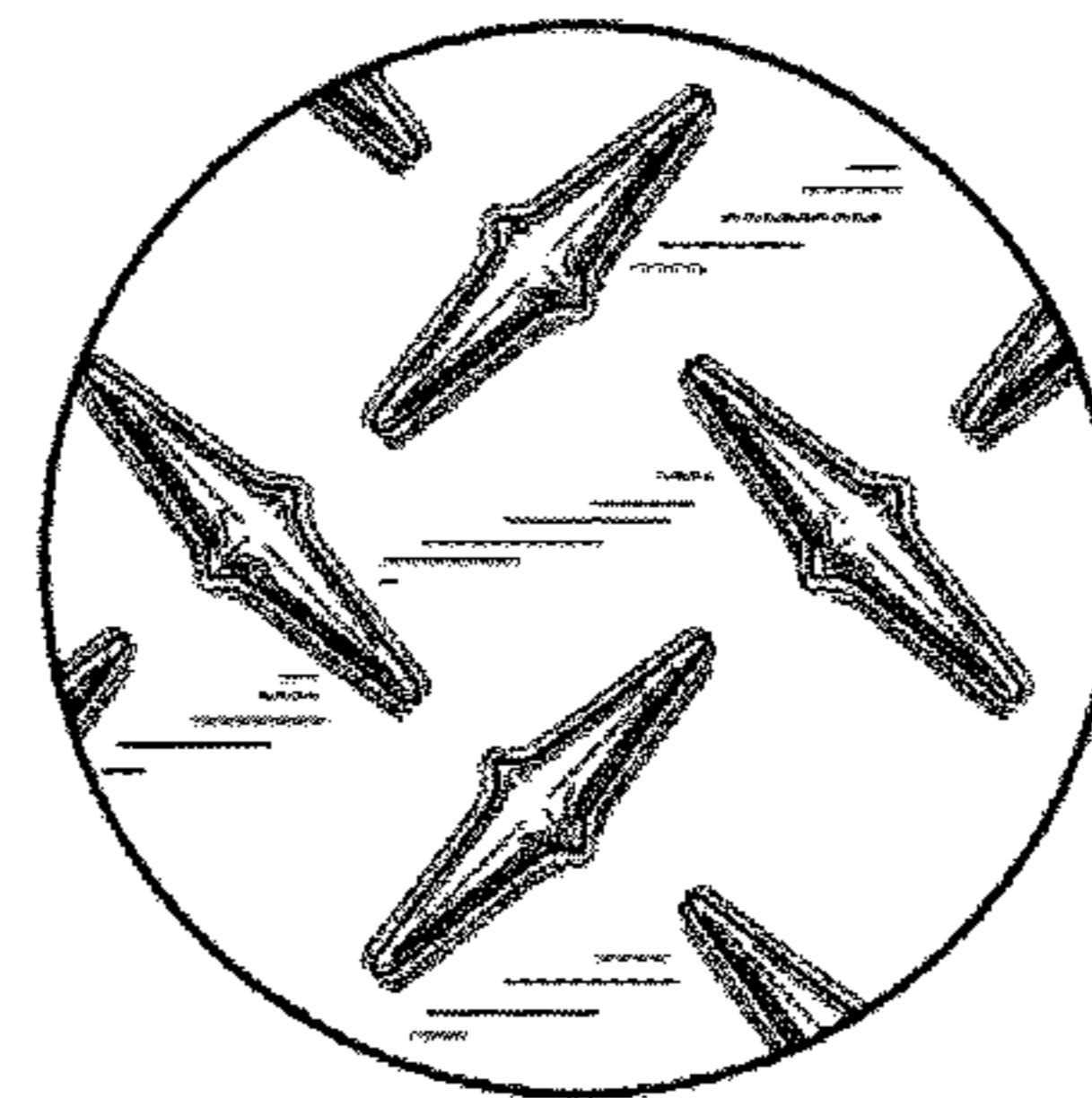
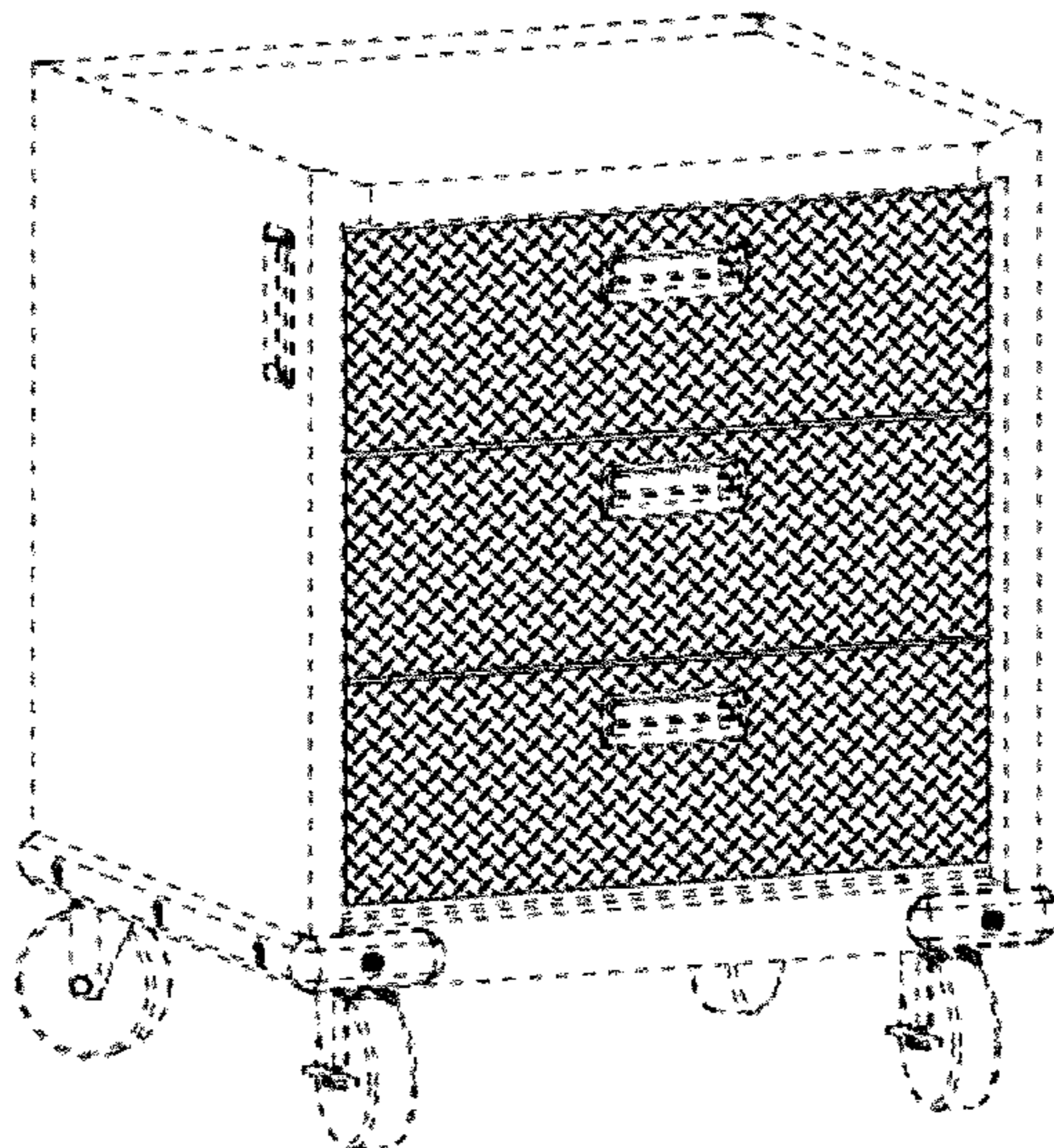
FIG. 2 is a front elevational view thereof. The ornamental design is not visible in a rear view, top plan view, right or left side views or bottom view; and,

FIG. 3 is an enlarged view of the pattern on the modular drawer of the embodiment as shown in FIG. 2.

The characteristic feature of the ornamental design resides in the use of a pattern on the modular drawer.

Those portions of modular drawers in broken lines, specifically the surfaces of the cabinet enclosing the modular drawers at the top, bottom and side edges of the drawers and the cabinet surfaces extending back from the face of the drawers including other surfaces of the modular drawers and the legs are not part of the claimed invention.

1 Claim, 2 Drawing Sheets



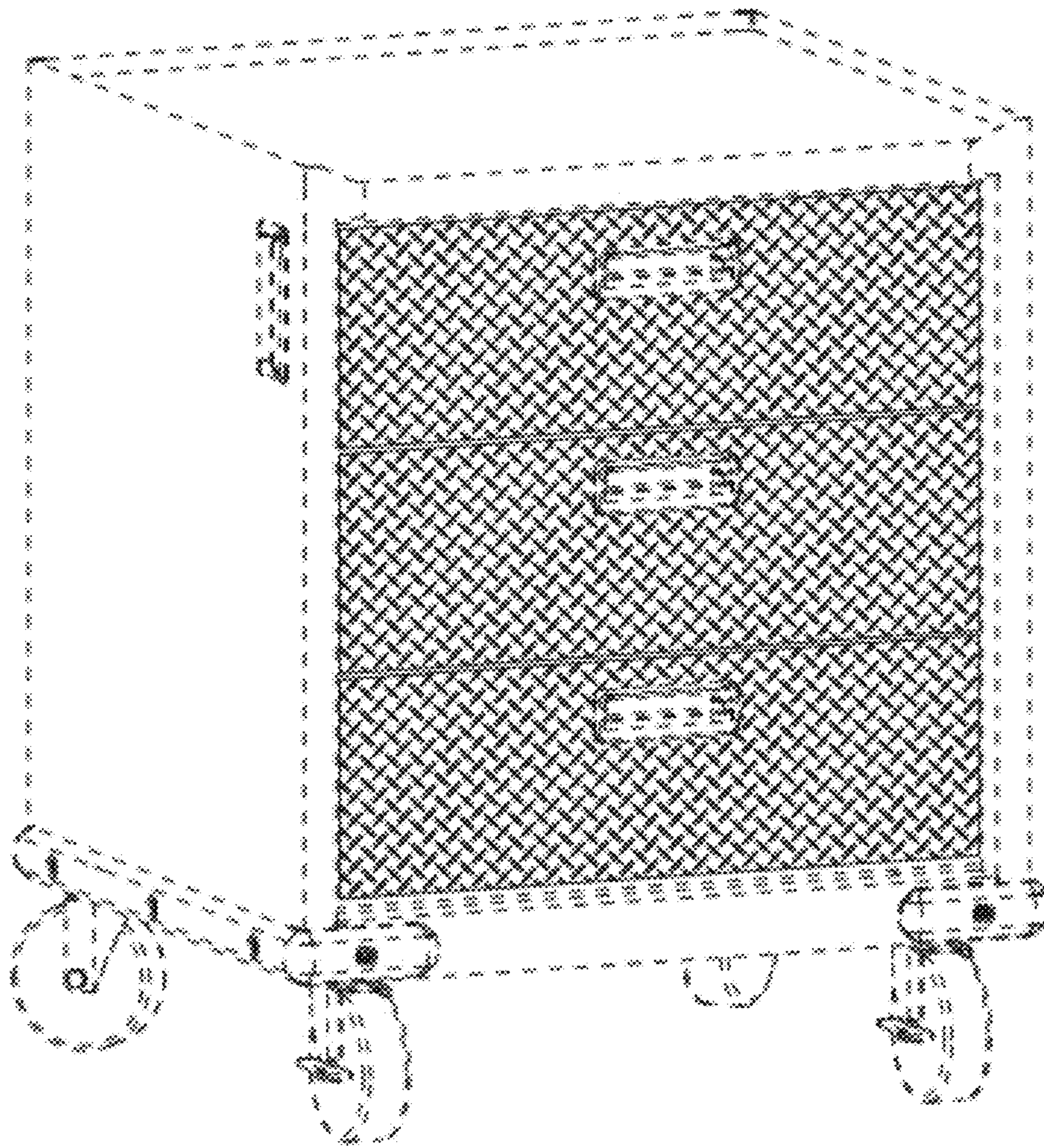


Fig. 1

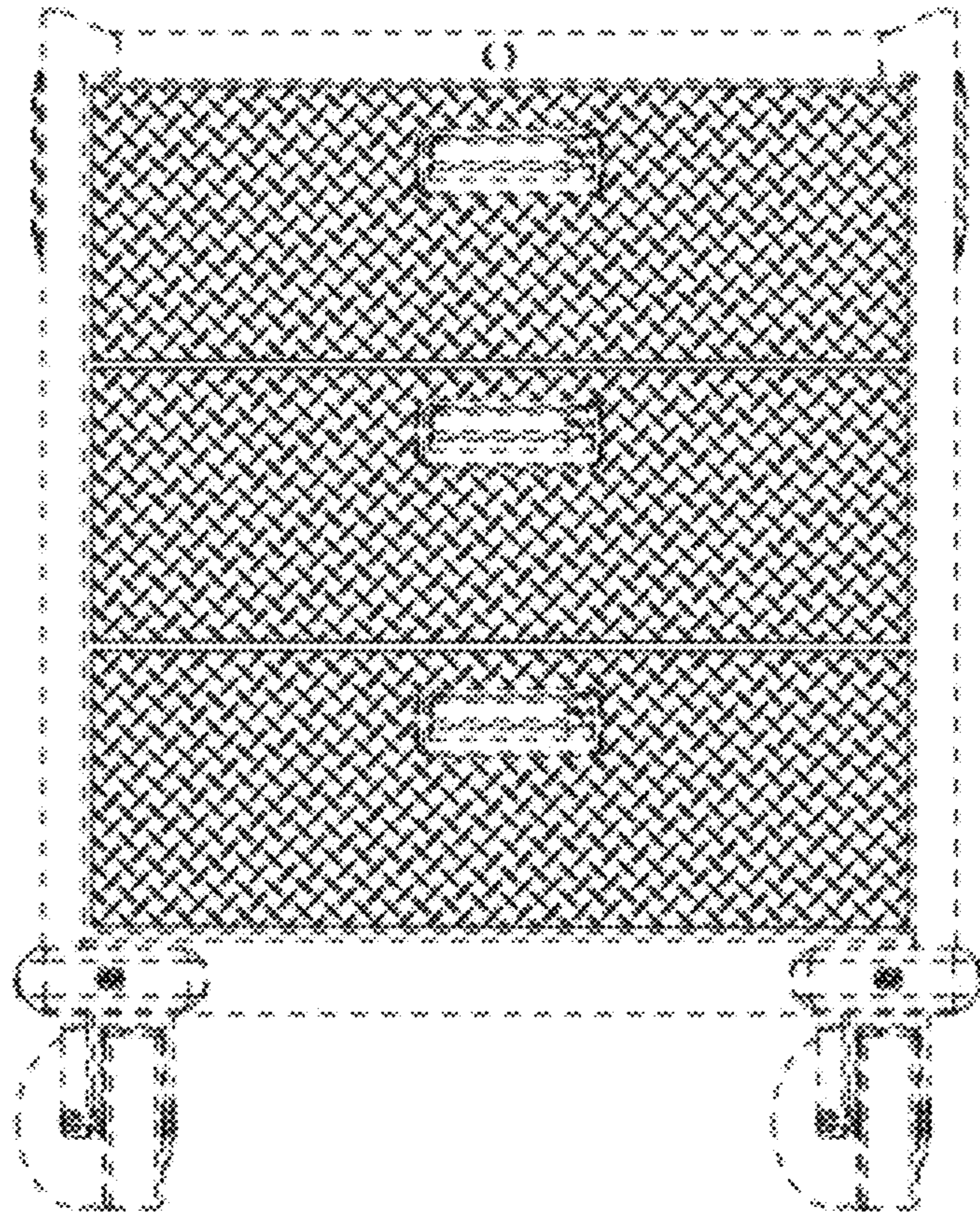


Fig. 2

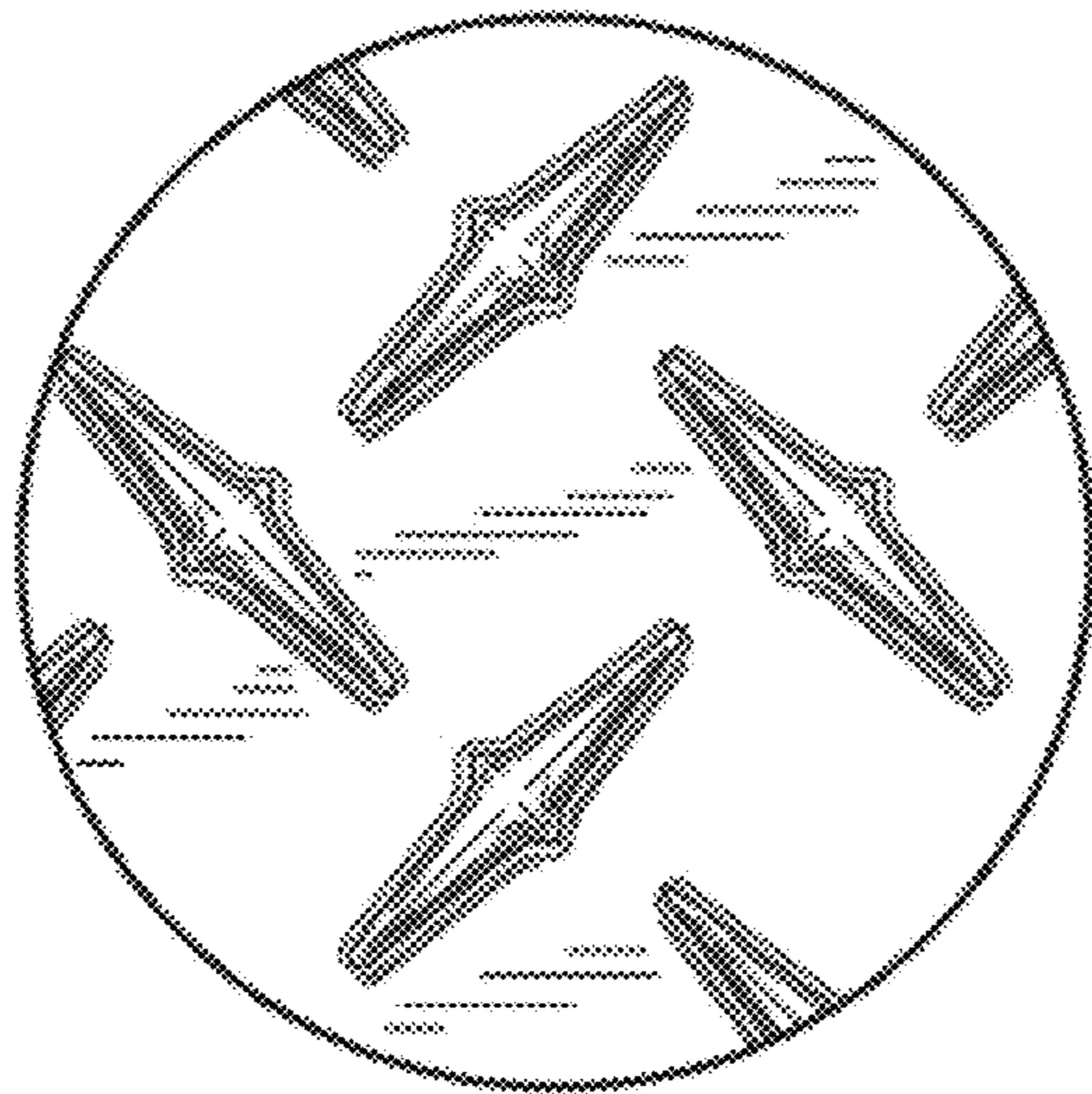


Fig. 3