



US00D654735S

(12) **United States Design Patent**
Snider

(10) **Patent No.:** **US D654,735 S**

(45) **Date of Patent:** **** Feb. 28, 2012**

(54) **WIDE DRAWER AND REMOVABLE TRAY**

(75) Inventor: **Martin Snider**, New City, NY (US)

(73) Assignee: **MSA Products, Inc.**, Nyack, NY (US)

(**) Term: **14 Years**

(21) Appl. No.: **29/360,998**

(22) Filed: **May 4, 2010**

(51) **LOC (9) Cl.** **06-06**

(52) **U.S. Cl.** **D6/510**

(58) **Field of Classification Search** D6/432,
D6/436, 441, 444-448, 509, 510, 511; D3/306,
D3/297, 298; 211/85.31, 126.9, 181.1; 220/533;
312/117, 119, 204, 249.4, 249.8, 330.1, 334.33,
312/334.7, 348.4

See application file for complete search history.

(56) **References Cited**

U.S. PATENT DOCUMENTS

943,719	A *	12/1909	Vick	220/533
1,414,858	A *	5/1922	Brown	312/334.7
1,559,064	A *	10/1925	Bitney	211/181.1
2,123,837	A *	7/1938	Thomas et al.	211/85.31
2,367,218	A *	1/1945	Joyce, Jr.	211/181.1
2,529,267	A *	11/1950	Sloane	211/181.1
3,114,459	A *	12/1963	Kersting	211/181.1
3,244,288	A *	4/1966	Schreter	211/181.1
4,830,200	A *	5/1989	Zambano et al.	211/181.1
5,314,244	A *	5/1994	Swets et al.	312/330.1

D348,760	S *	7/1994	Linder	D3/306
6,840,593	B2 *	1/2005	Remmers	312/330.1
6,871,921	B2 *	3/2005	Ernst	312/330.1
6,938,784	B2 *	9/2005	Yang	312/330.1
D615,328	S *	5/2010	Snider	D6/510
7,810,890	B2 *	10/2010	Klein et al.	312/334.33

* cited by examiner

Primary Examiner — Mimoso De

(74) *Attorney, Agent, or Firm* — Gerald E. Hespos; Michael J. Porco

(57) **CLAIM**

The ornamental design of a wide drawer and removable tray, as shown and described.

DESCRIPTION

FIG. 1 is a perspective view of a wide drawer and removable tray in accordance with my design, with the tray in a first position.

FIG. 2 is a front elevational view thereof;

FIG. 3 is a top plan view thereof;

FIG. 4 is a rear elevational view thereof;

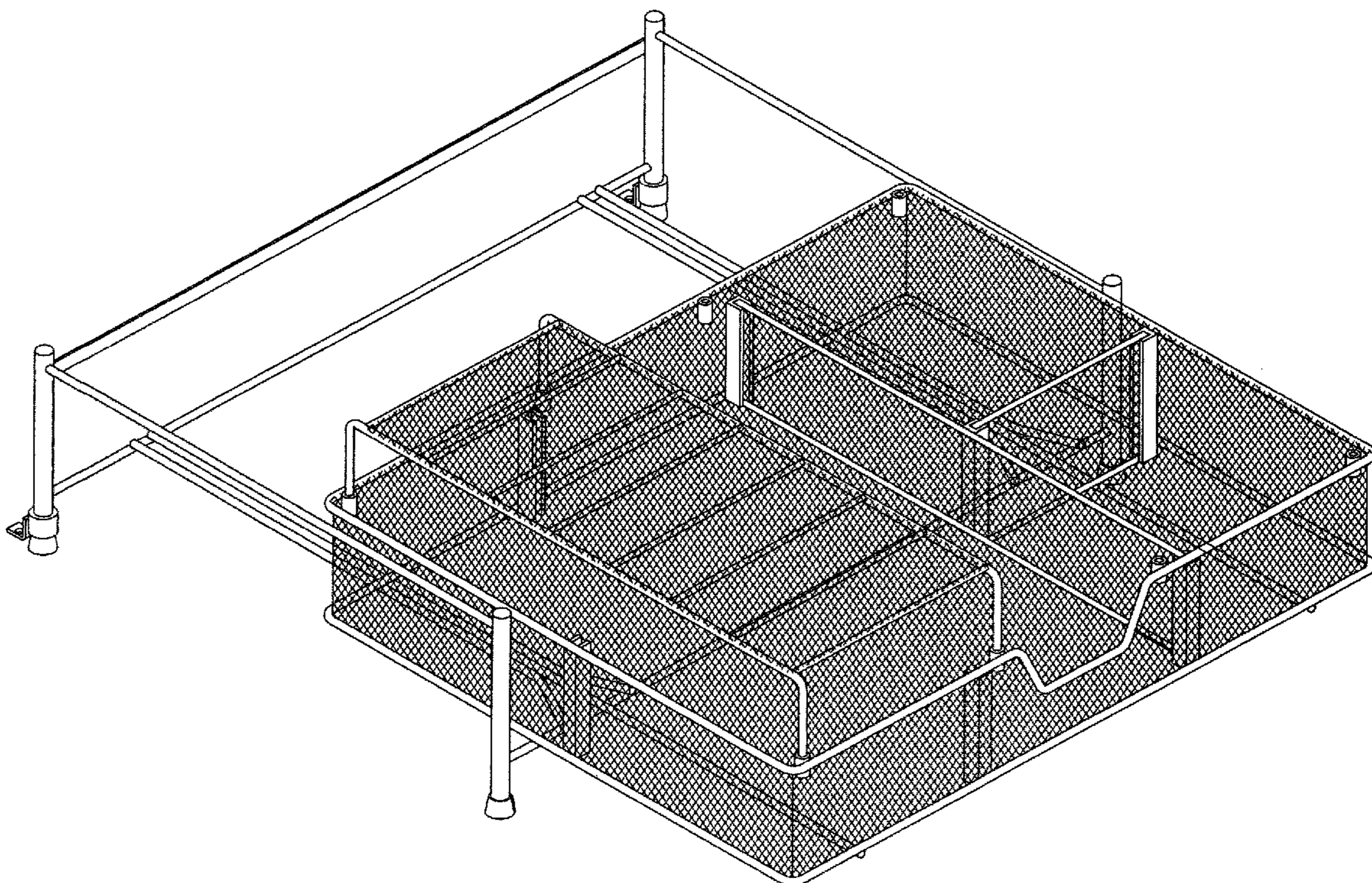
FIG. 5 is a side elevational view thereof as viewed from the right side of FIG. 1 with the left side elevational view being a mirror image thereof;

FIG. 6 is a bottom plan view thereof;

FIG. 7 is a perspective view of a wide drawer and removable tray with the tray in a second position; and,

FIG. 8 is a perspective view of the wide drawer and a removable tray of FIG. 1 in the open position.

1 Claim, 8 Drawing Sheets



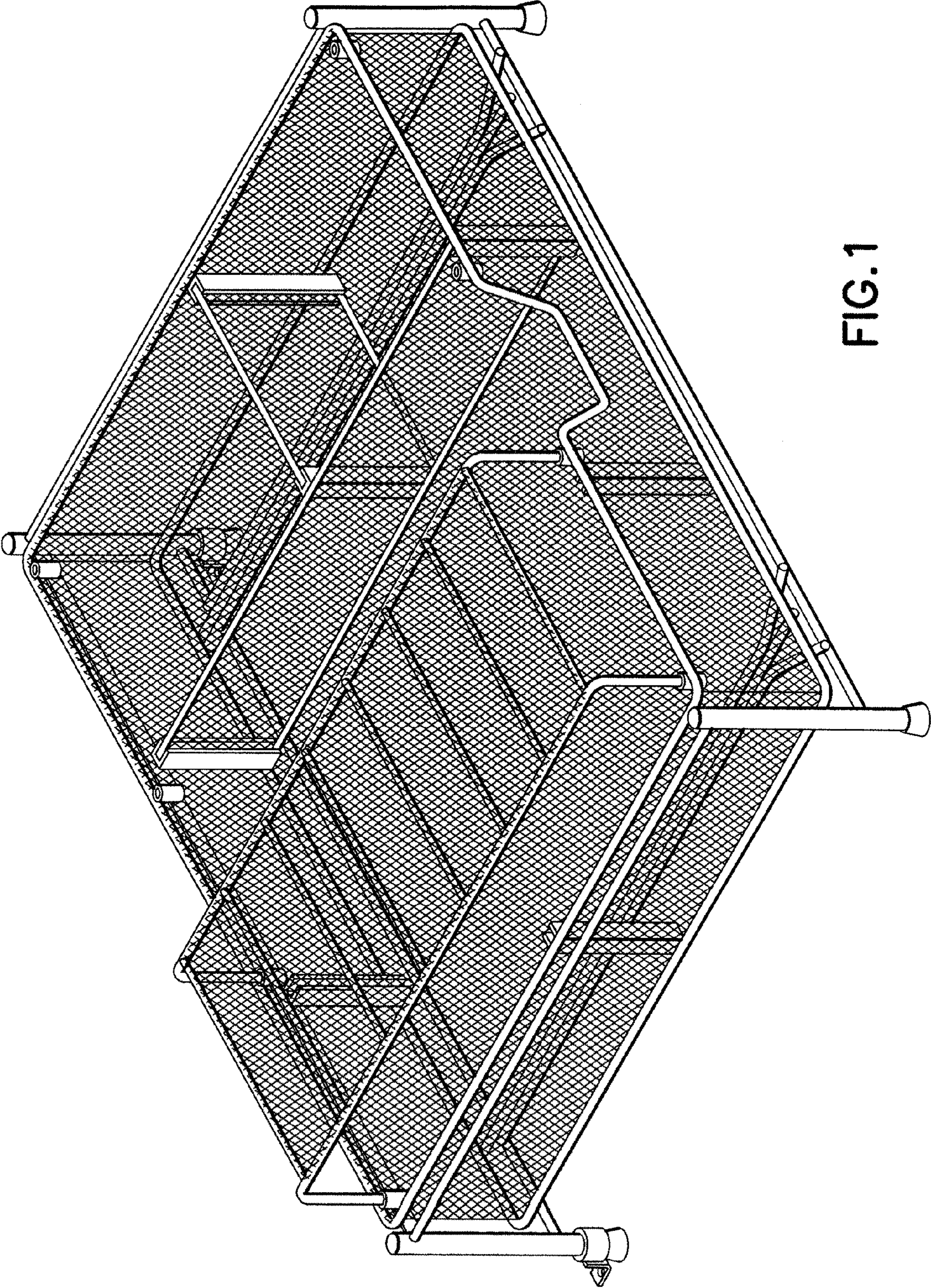


FIG.1

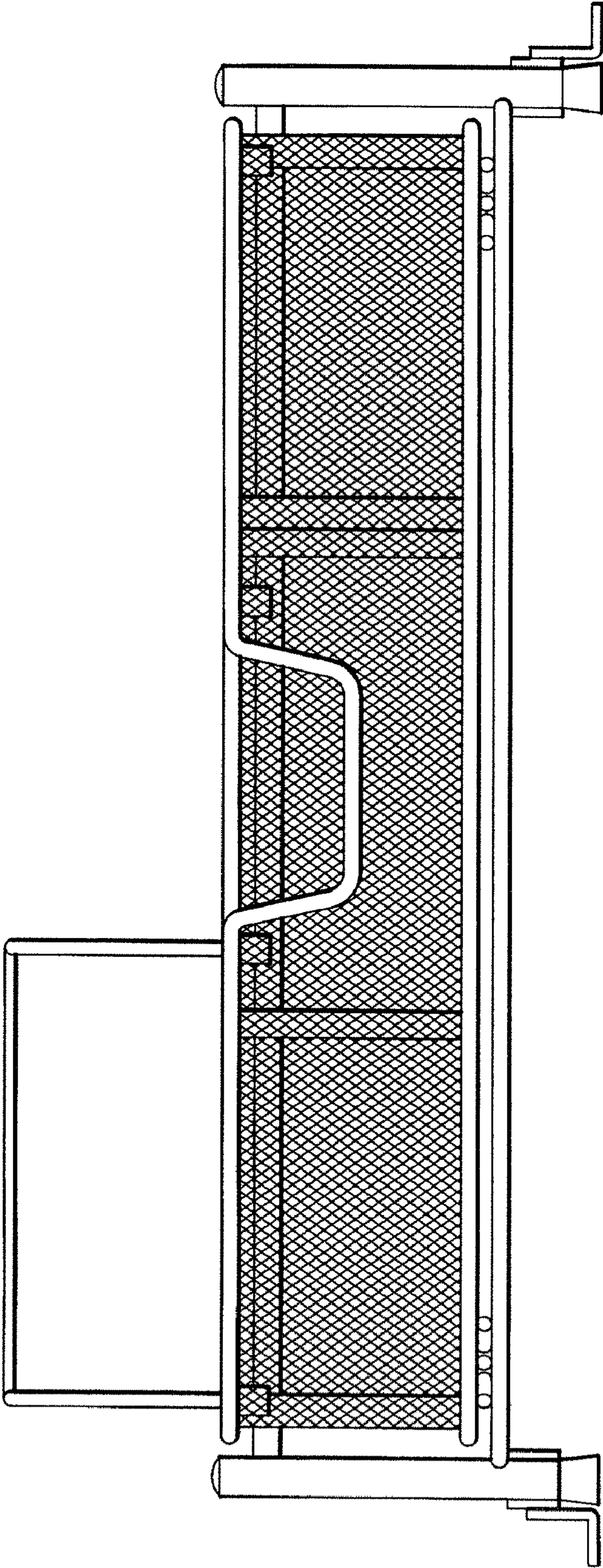


FIG.2

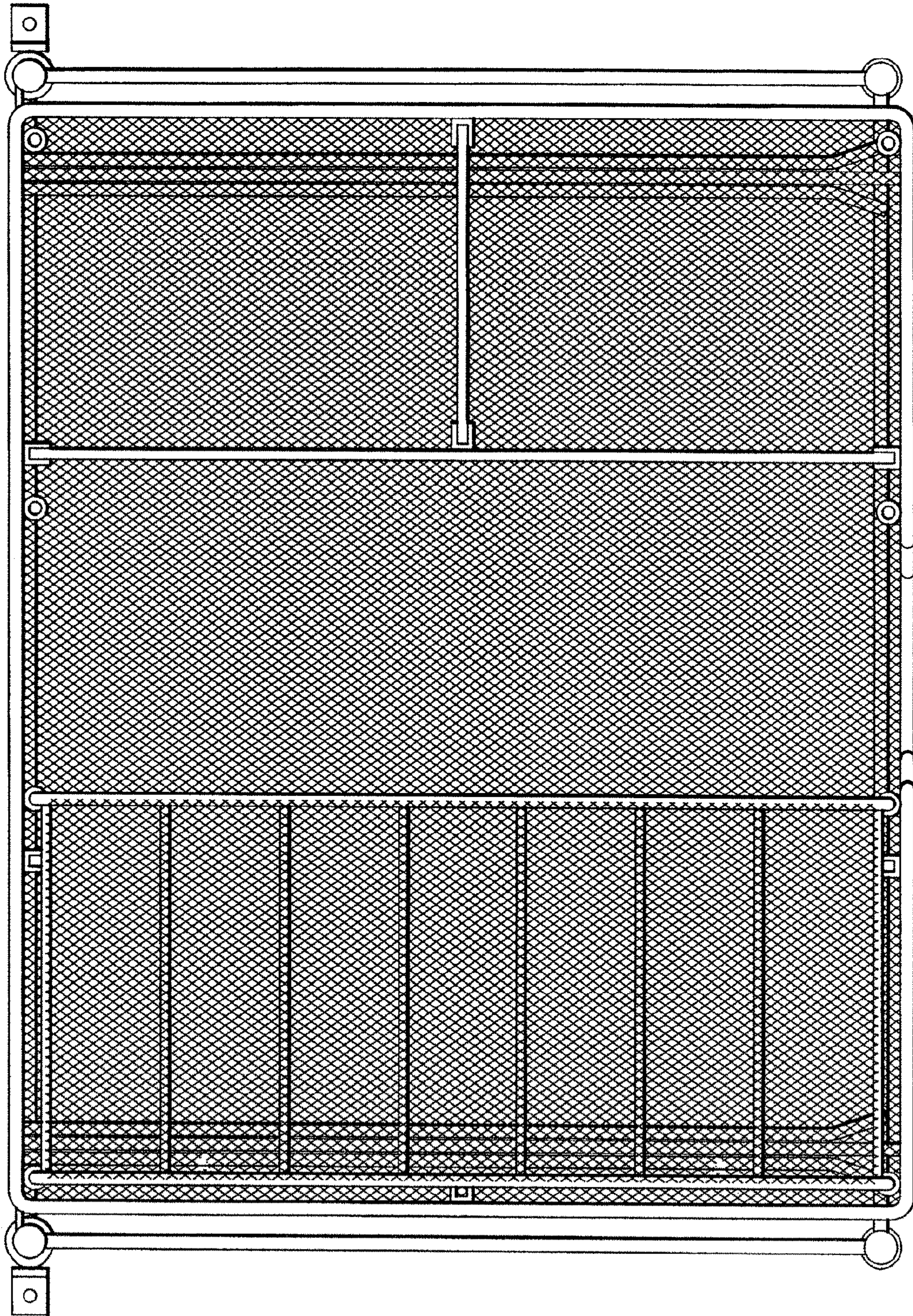


FIG. 3

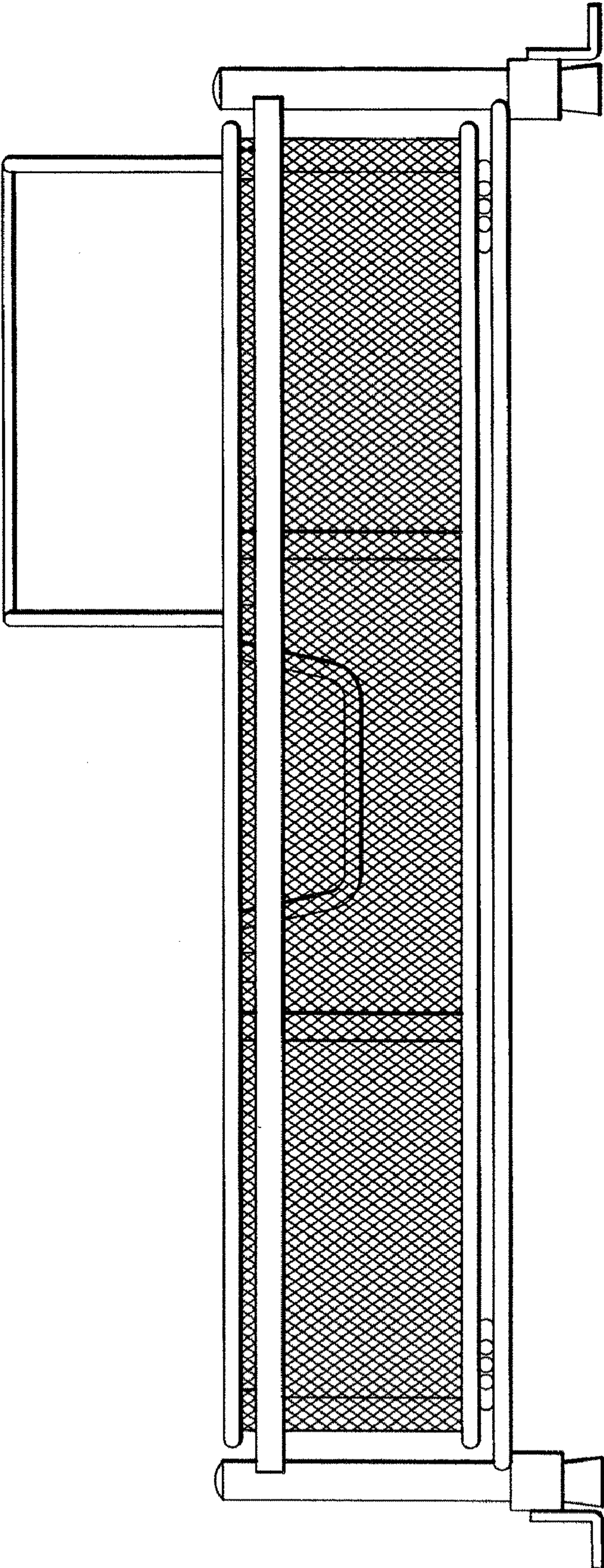


FIG.4

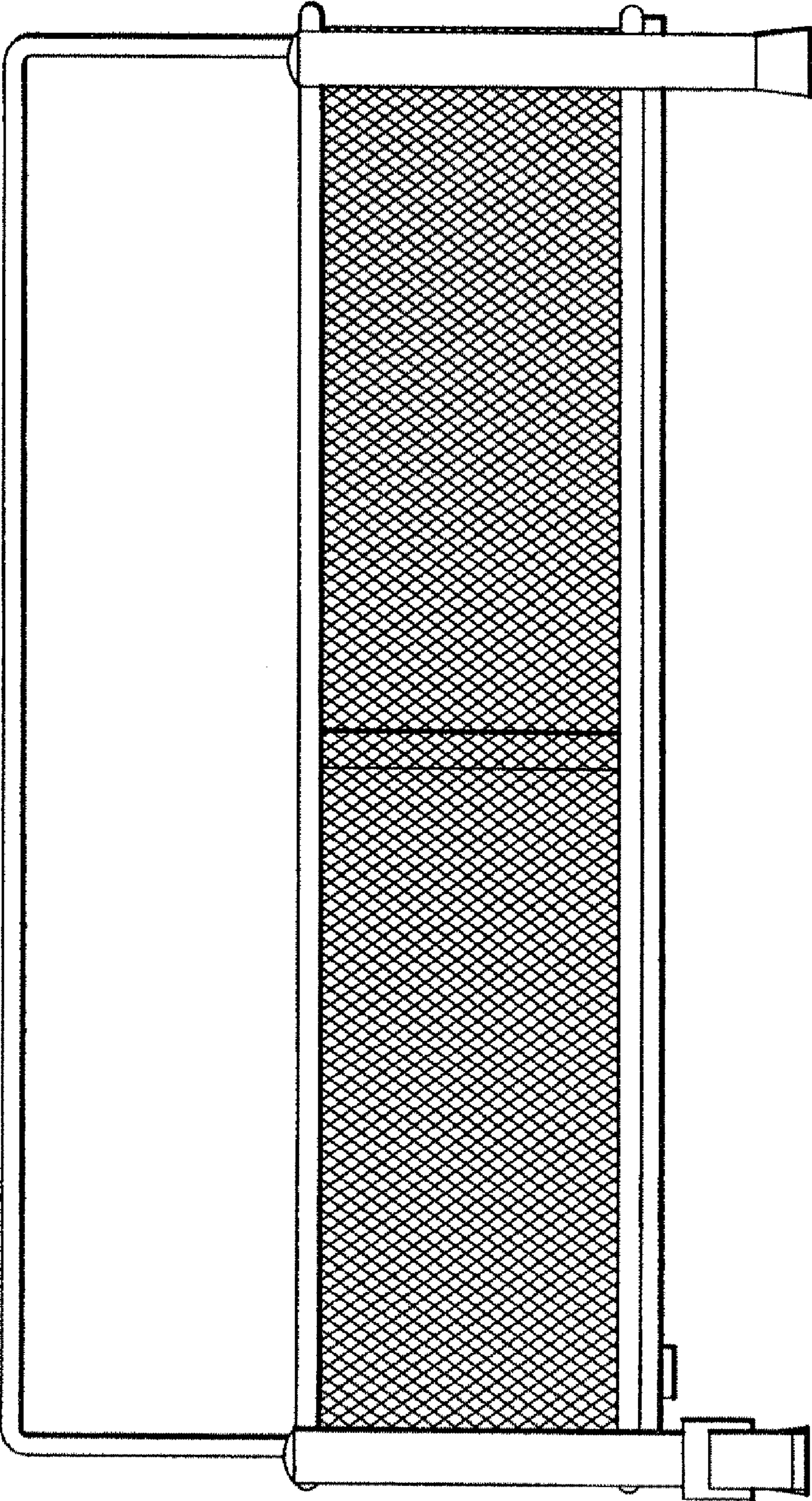


FIG. 5

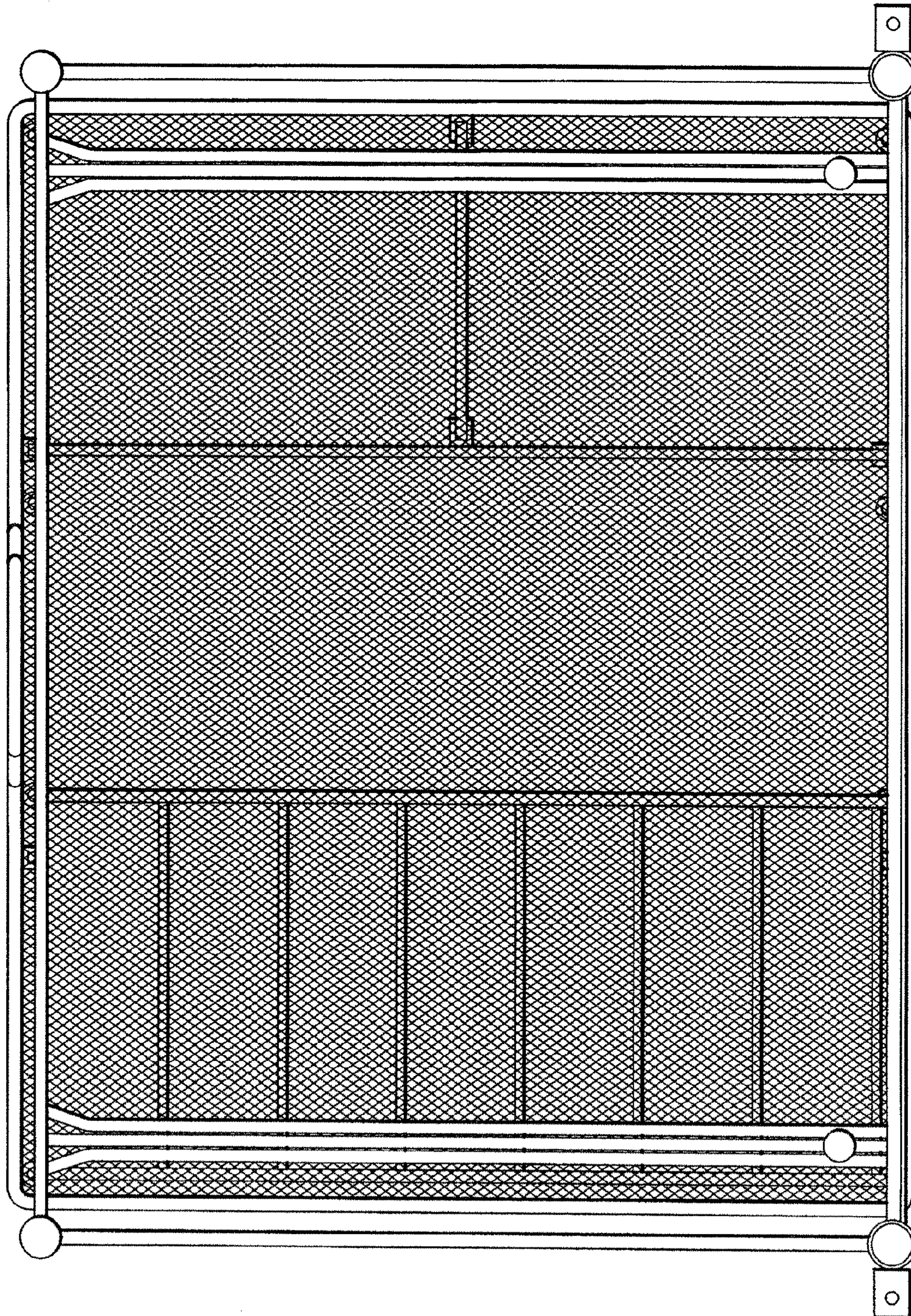


FIG. 6

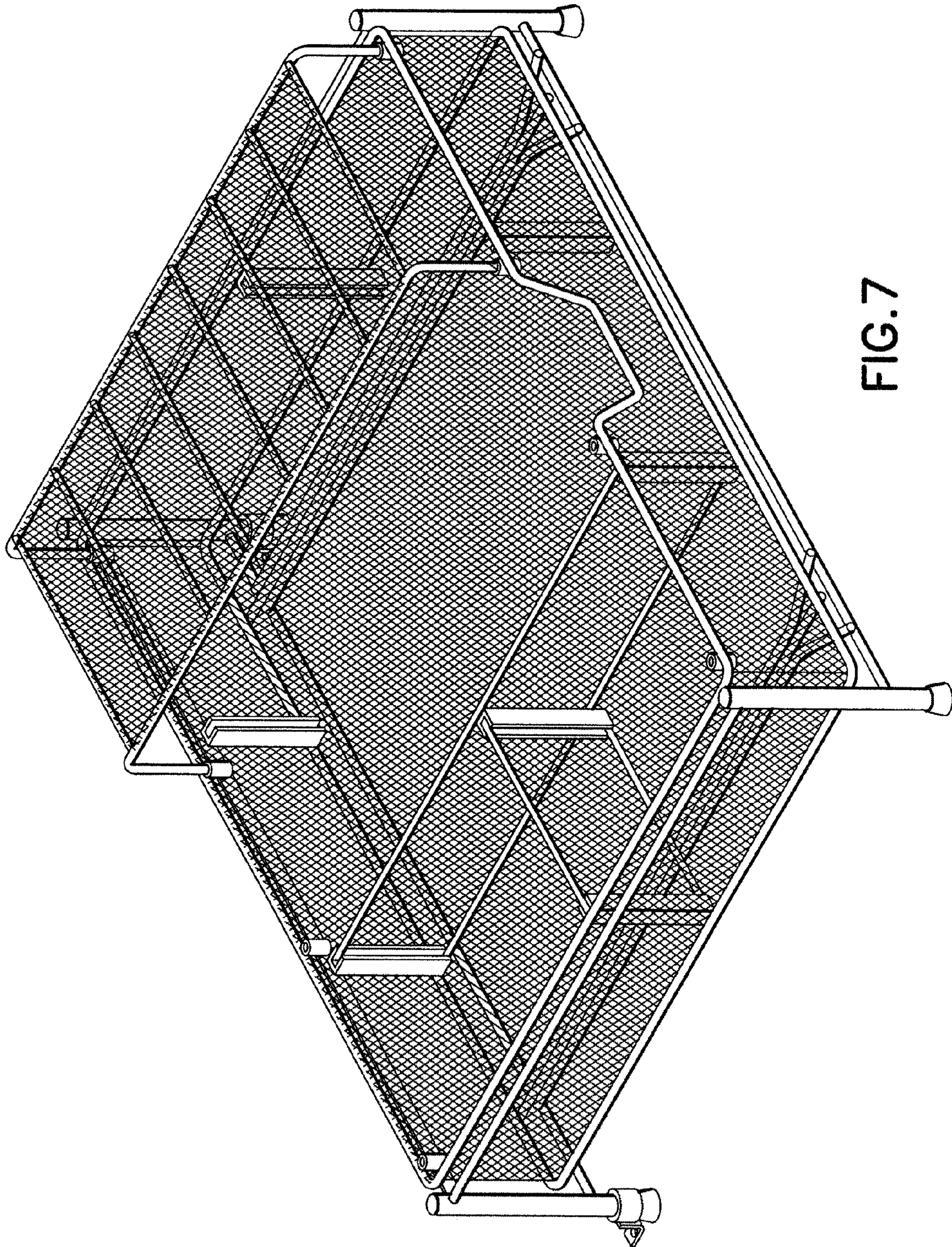


FIG. 7

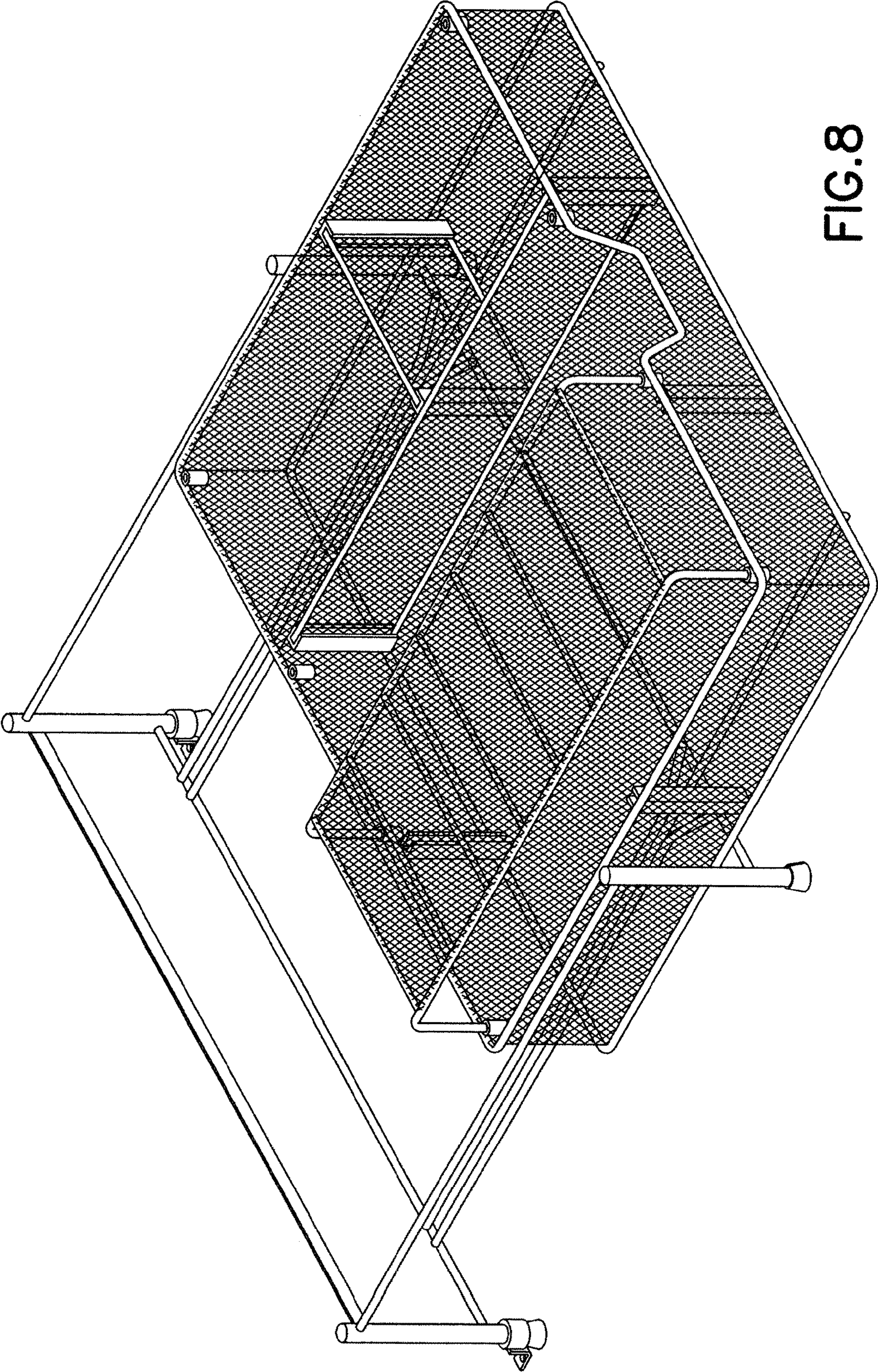


FIG.8