



US00D654732S

(12) **United States Design Patent**
Kubryk

(10) **Patent No.:** **US D654,732 S**

(45) **Date of Patent:** **** Feb. 28, 2012**

(54) **TASK CHAIR**

(76) Inventor: **Isaac Kubryk**, Lockeford, CA (US)

(**) Term: **14 Years**

(21) Appl. No.: **29/373,872**

(22) Filed: **Jun. 1, 2011**

(51) **LOC (9) Cl.** **06-01**

(52) **U.S. Cl.** **D6/500; D6/366**

(58) **Field of Classification Search** D6/334-336,
D6/364, 365, 366, 367, 374, 375, 492, 500-502;
297/411.28, 411.44, 411.45, 450.1

See application file for complete search history.

(56) **References Cited**

U.S. PATENT DOCUMENTS

D233,809 S *	12/1974	Platner	D6/366
D236,302 S *	8/1975	Prizlow	D6/366
D259,155 S *	5/1981	Buhk	D6/366
D267,838 S *	2/1983	Buhk et al.	D6/366
D273,155 S *	3/1984	Petitt	D6/366
D297,986 S *	10/1988	Jenkins	D6/366
D300,483 S *	4/1989	Jenkins	D6/366

D303,888 S *	10/1989	Stafford	D6/502
D386,622 S *	11/1997	Kelley et al.	D6/366
D460,885 S *	7/2002	Silva	D6/500

* cited by examiner

Primary Examiner — Mimoso De

(74) *Attorney, Agent, or Firm* — Andrey A. Millemann;
Weintraub Genshlea et al

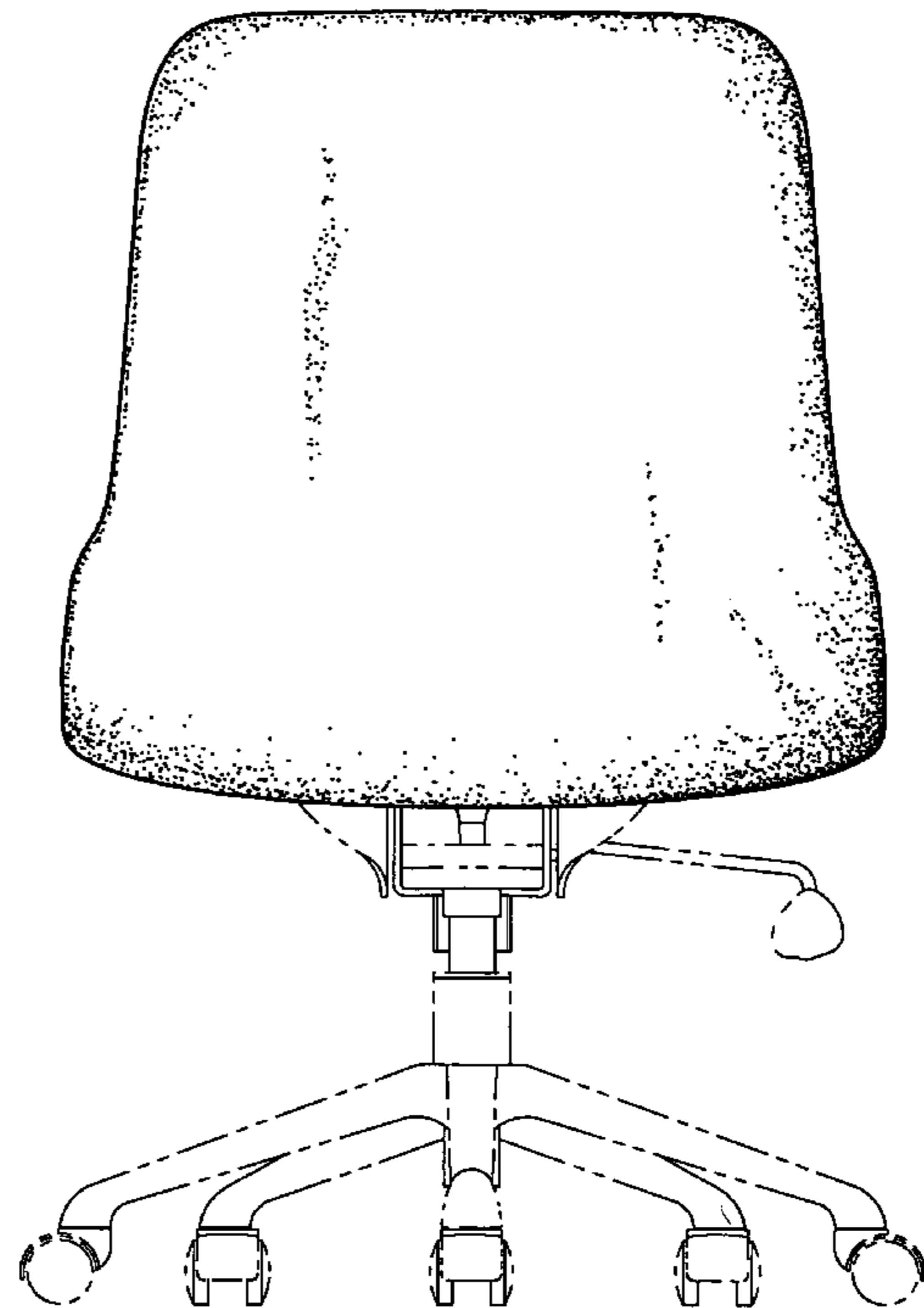
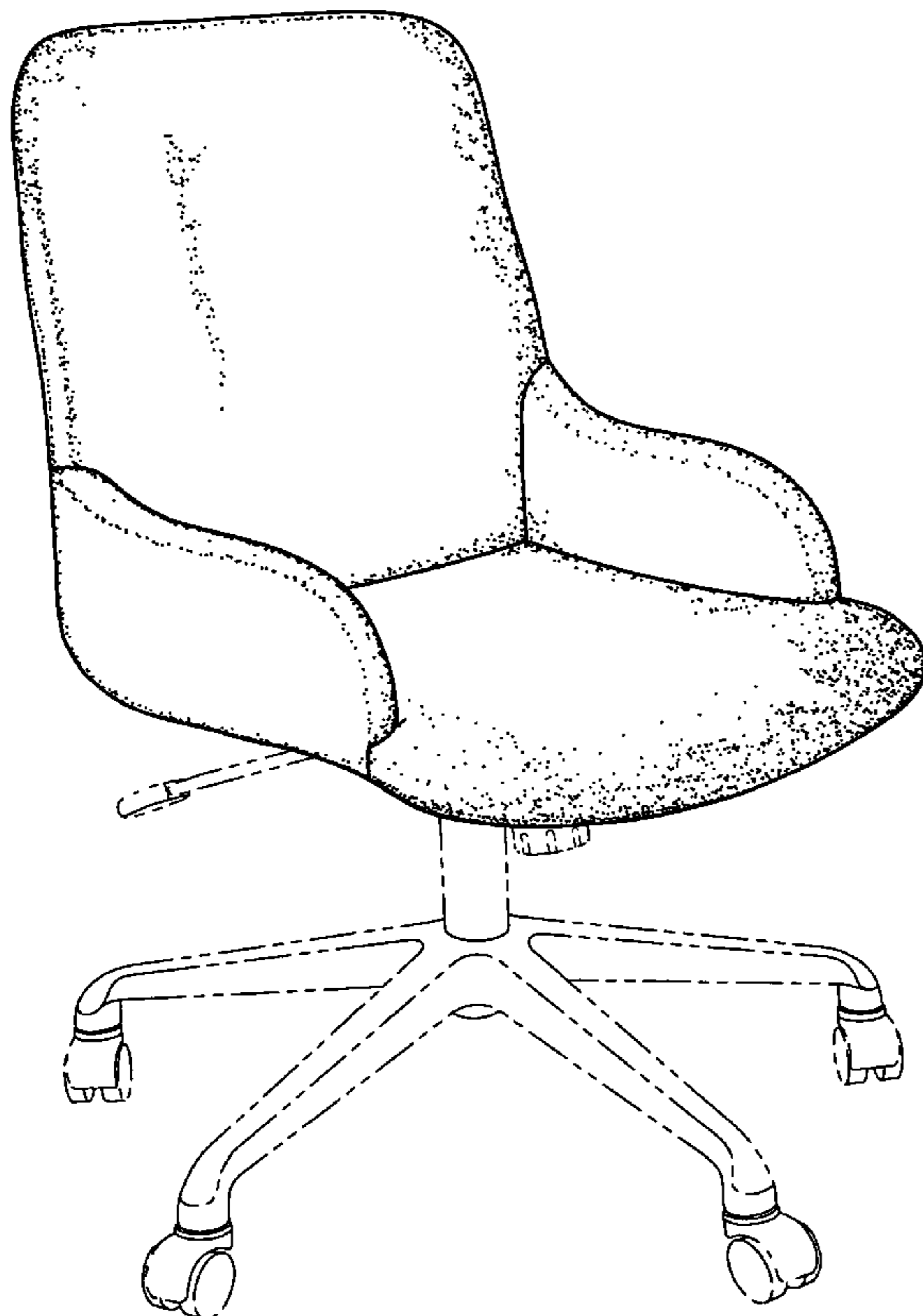
(57) **CLAIM**

The ornamental design for a task chair, as shown and described.

DESCRIPTION

FIG. 1 is a perspective view of a task chair, looking toward the right front corner, showing my new design;
FIG. 2 is a front view thereof;
FIG. 3 is a back view thereof;
FIG. 4 is a right side view thereof;
FIG. 5 is a top view thereof; and,
FIG. 6 is a bottom view thereof.
The broken lines shown in the drawing are for illustrative purposes only and form no part of the claimed design.

1 Claim, 5 Drawing Sheets



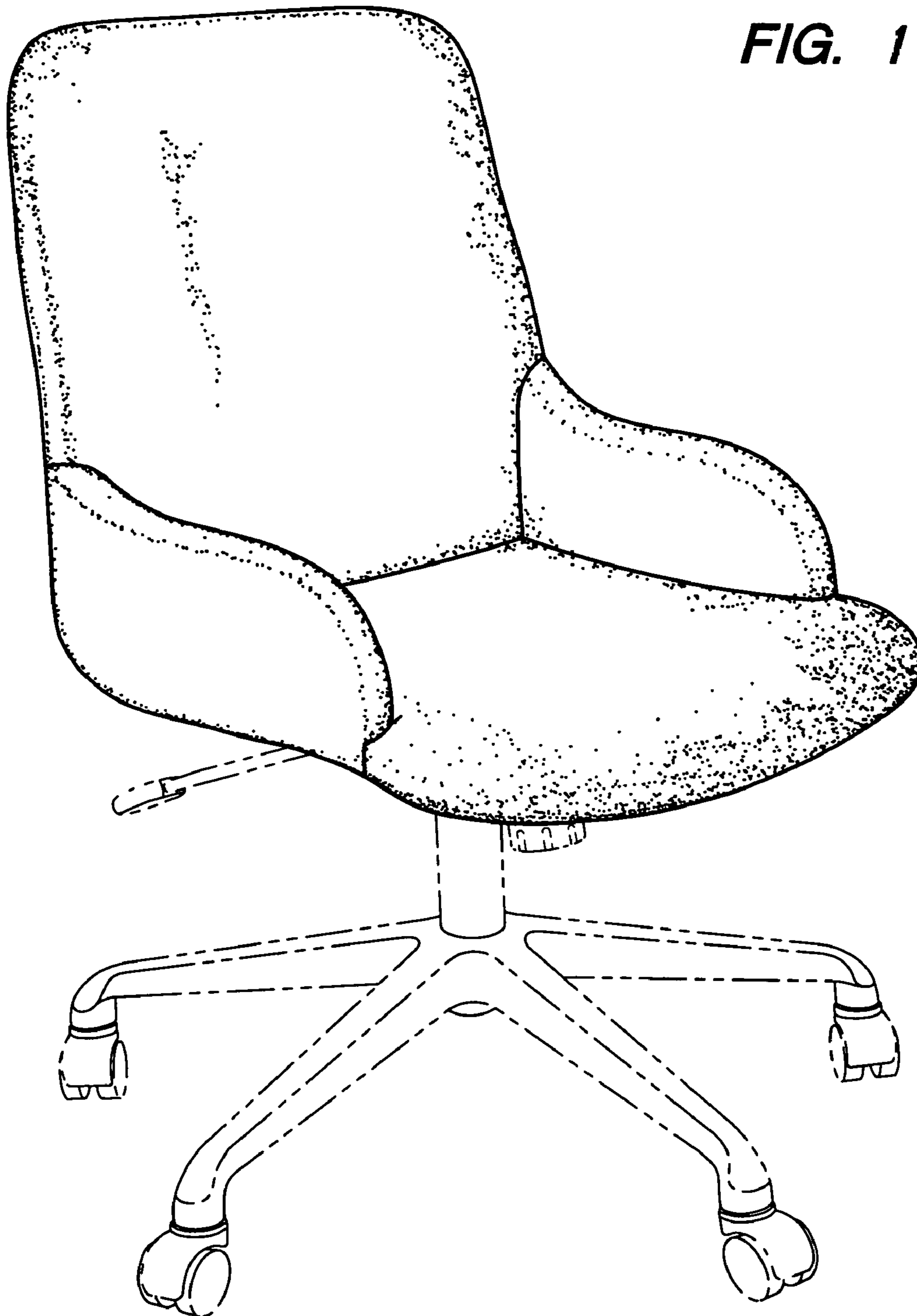


FIG. 1

FIG. 2

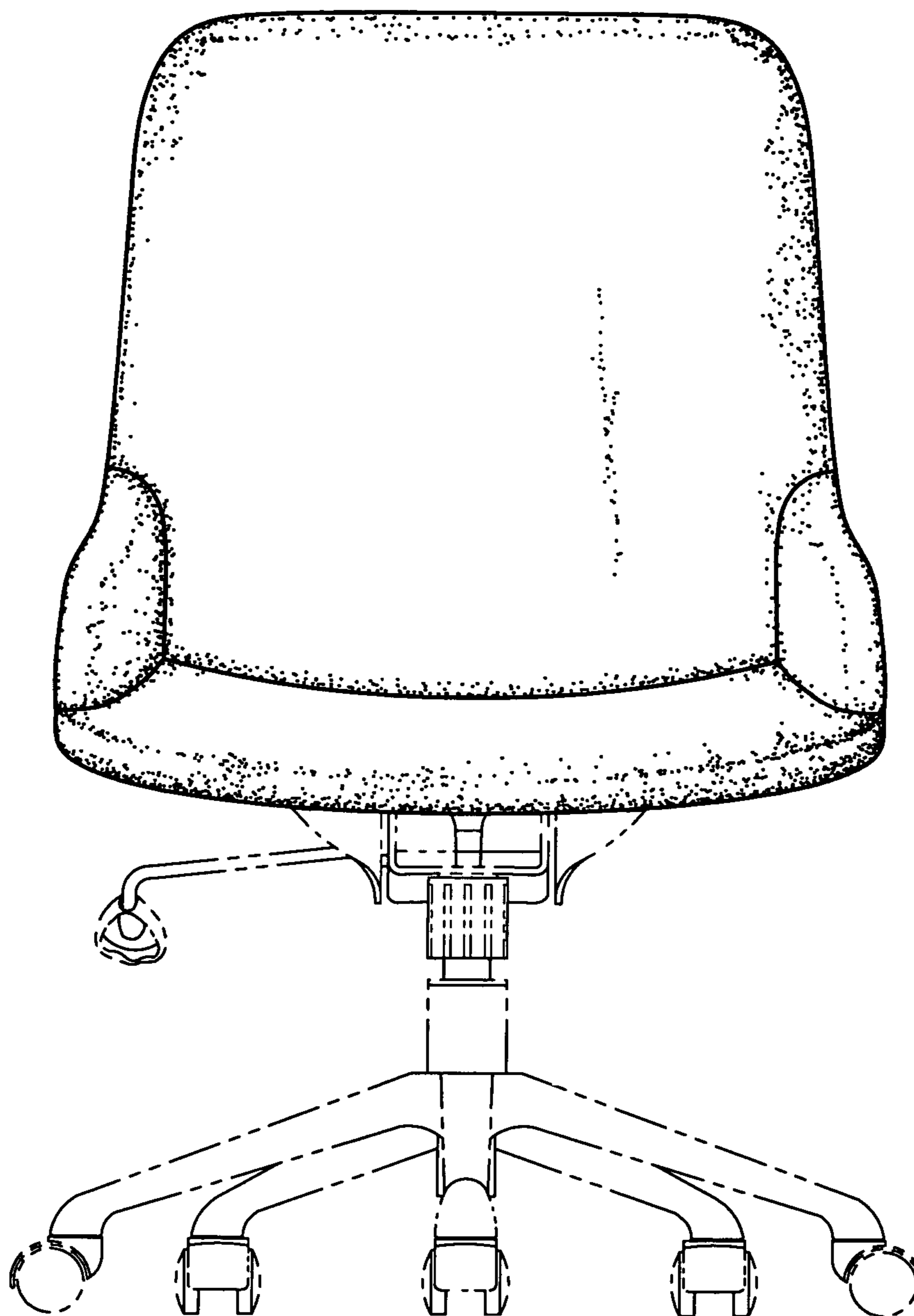


FIG. 3

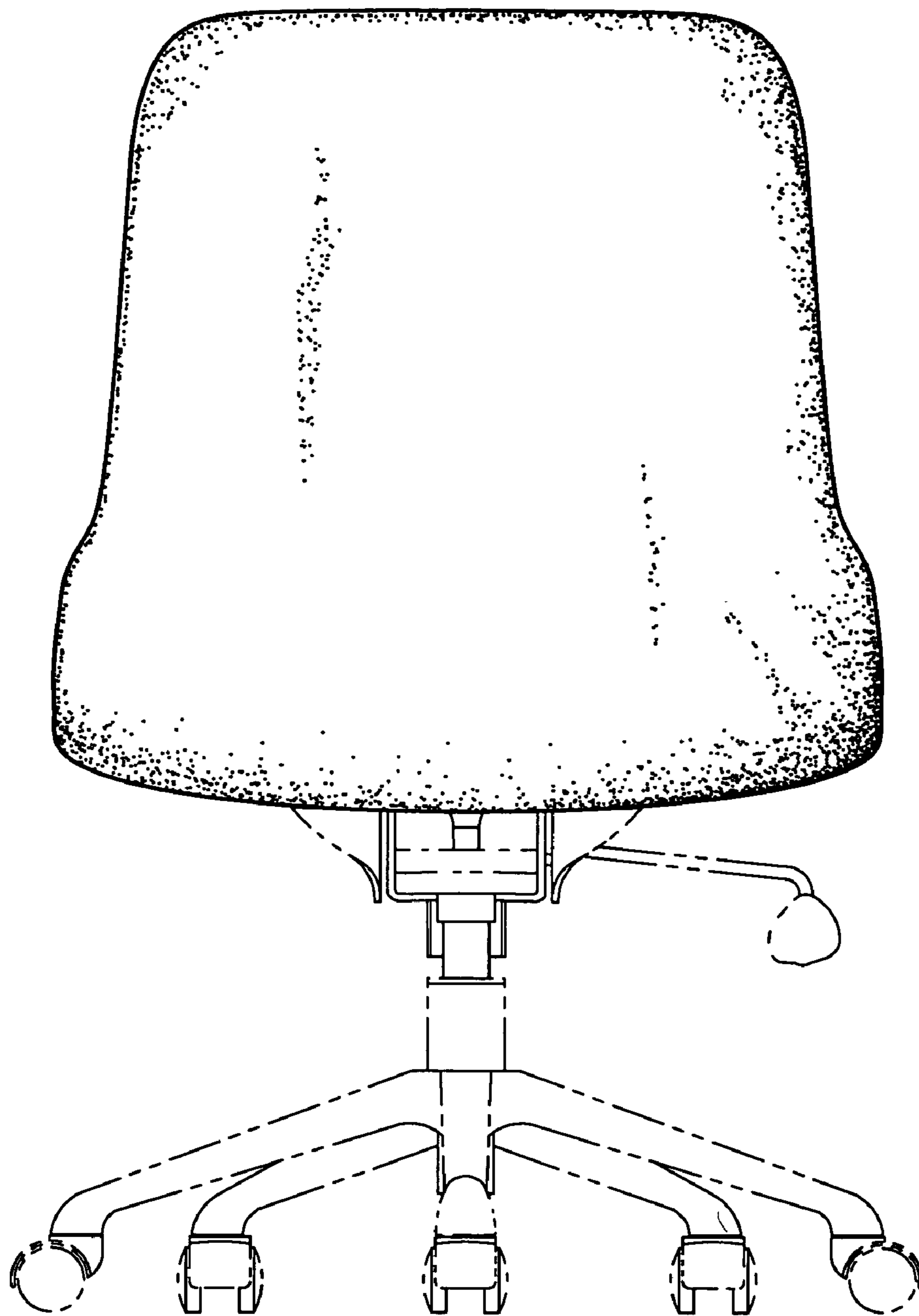
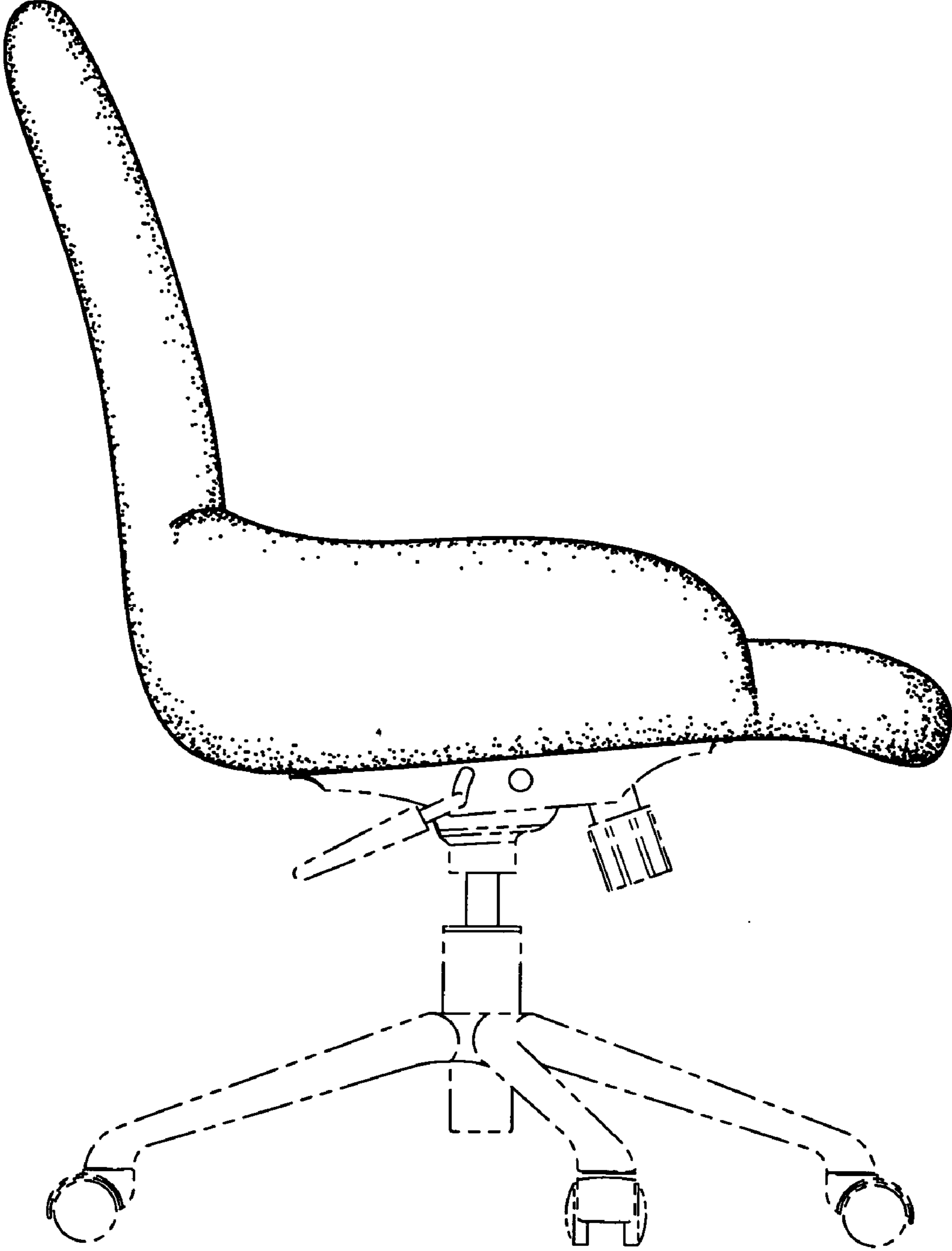


FIG. 4



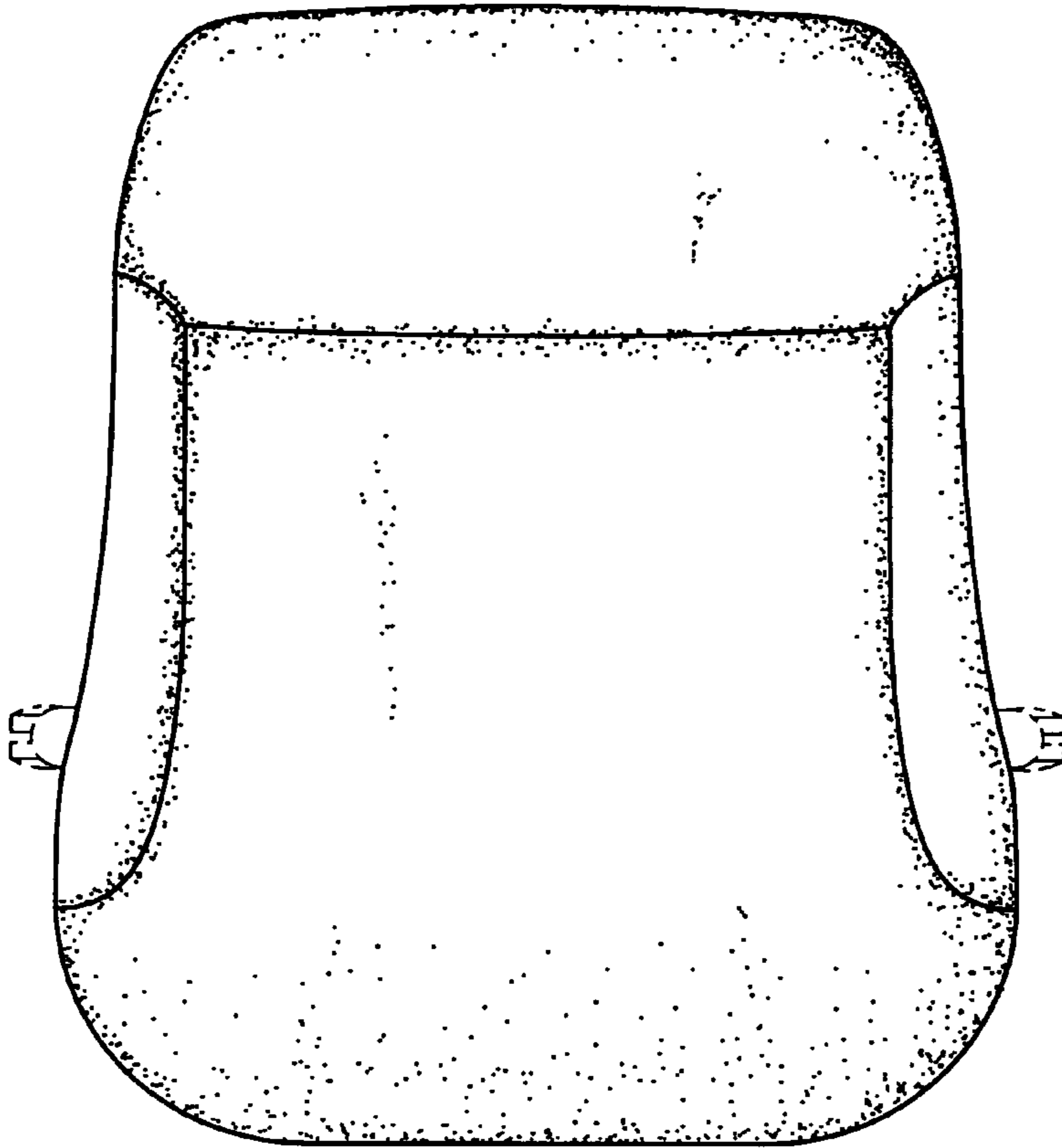


FIG. 5

FIG. 6

