



US00D654730S

(12) **United States Design Patent**
Kubryk

(10) **Patent No.:** **US D654,730 S**

(45) **Date of Patent:** **** Feb. 28, 2012**

(54) **TASK CHAIR**

(76) Inventor: **Isaac Kubryk**, Lockeford, CA (US)

(**) Term: **14 Years**

(21) Appl. No.: **29/373,703**

(22) Filed: **May 12, 2011**

(51) **LOC (9) Cl.** **06-01**

(52) **U.S. Cl.** **D6/500; D6/366**

(58) **Field of Classification Search** D6/334-336,
D6/364, 365, 366, 371-373, 374, 375, 376,
D6/379, 380, 500-502; 297/411.27, 411.28,
297/440.11, 445.1, 446.1, 452.12, 452.19,
297/452.48

See application file for complete search history.

(56) **References Cited**

U.S. PATENT DOCUMENTS

D235,233 S *	6/1975	Prizlow	D6/366
D241,288 S *	9/1976	Tacke	D6/366
D253,205 S *	10/1979	Buhk	D6/366
D260,204 S *	8/1981	Sapper	D6/366
D279,947 S *	8/1985	Ballarini	D6/501
D320,704 S *	10/1991	Monesi	D6/366

D370,805 S *	6/1996	McDiarmid	D6/502
D391,424 S *	3/1998	Raftery	D6/500
D611,276 S *	3/2010	Kubryk	D6/500
D611,738 S *	3/2010	Kubryk	D6/500
D611,739 S *	3/2010	Kubryk	D6/500
D612,175 S *	3/2010	Kubryk	D6/500

* cited by examiner

Primary Examiner — Mimosa De

(74) *Attorney, Agent, or Firm* — Audrey A. Millemann;
Weintraub Genshlea et al.

(57) **CLAIM**

The ornamental design for a task chair, as shown and described.

DESCRIPTION

FIG. 1 is a perspective view of a task chair, looking toward the right front corner, showing my new design;

FIG. 2 is a front view thereof;

FIG. 3 is a back view thereof;

FIG. 4 is a right side view thereof;

FIG. 5 is a top view thereof; and,

FIG. 6 is a bottom view thereof.

The broken lines shown in the drawing are for illustrative purposes only and form no part of the claimed design.

1 Claim, 5 Drawing Sheets

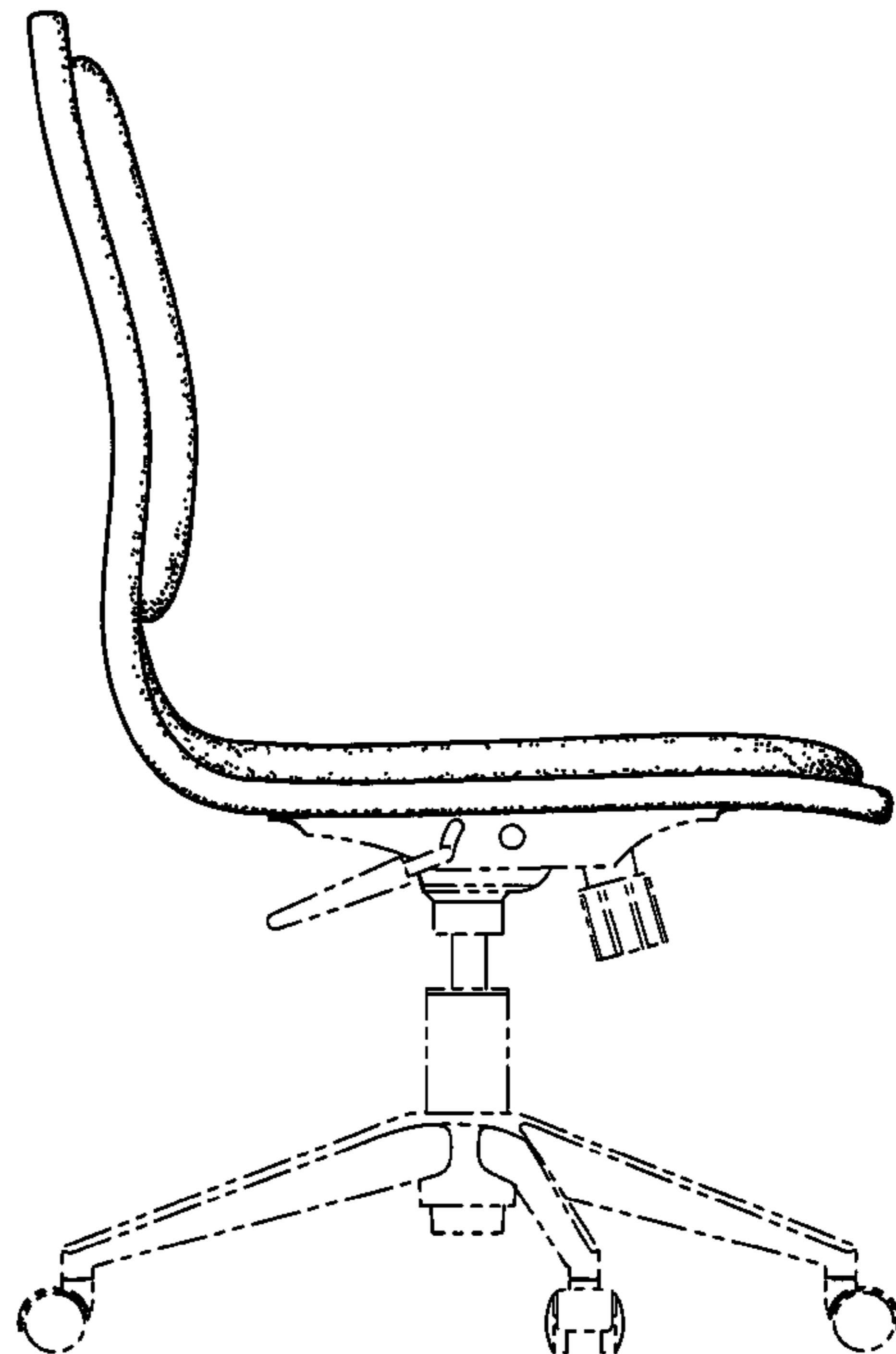
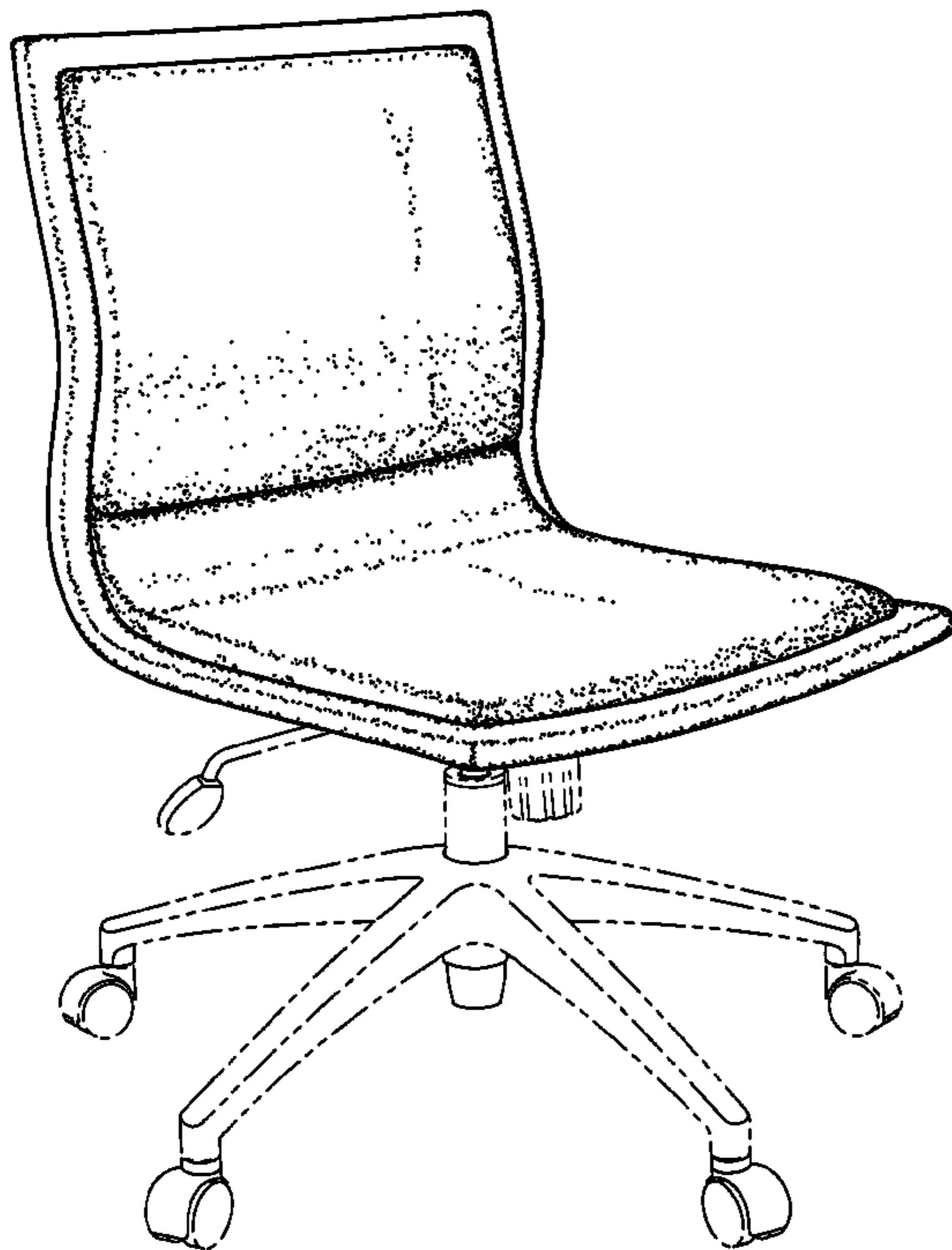


FIG. 1

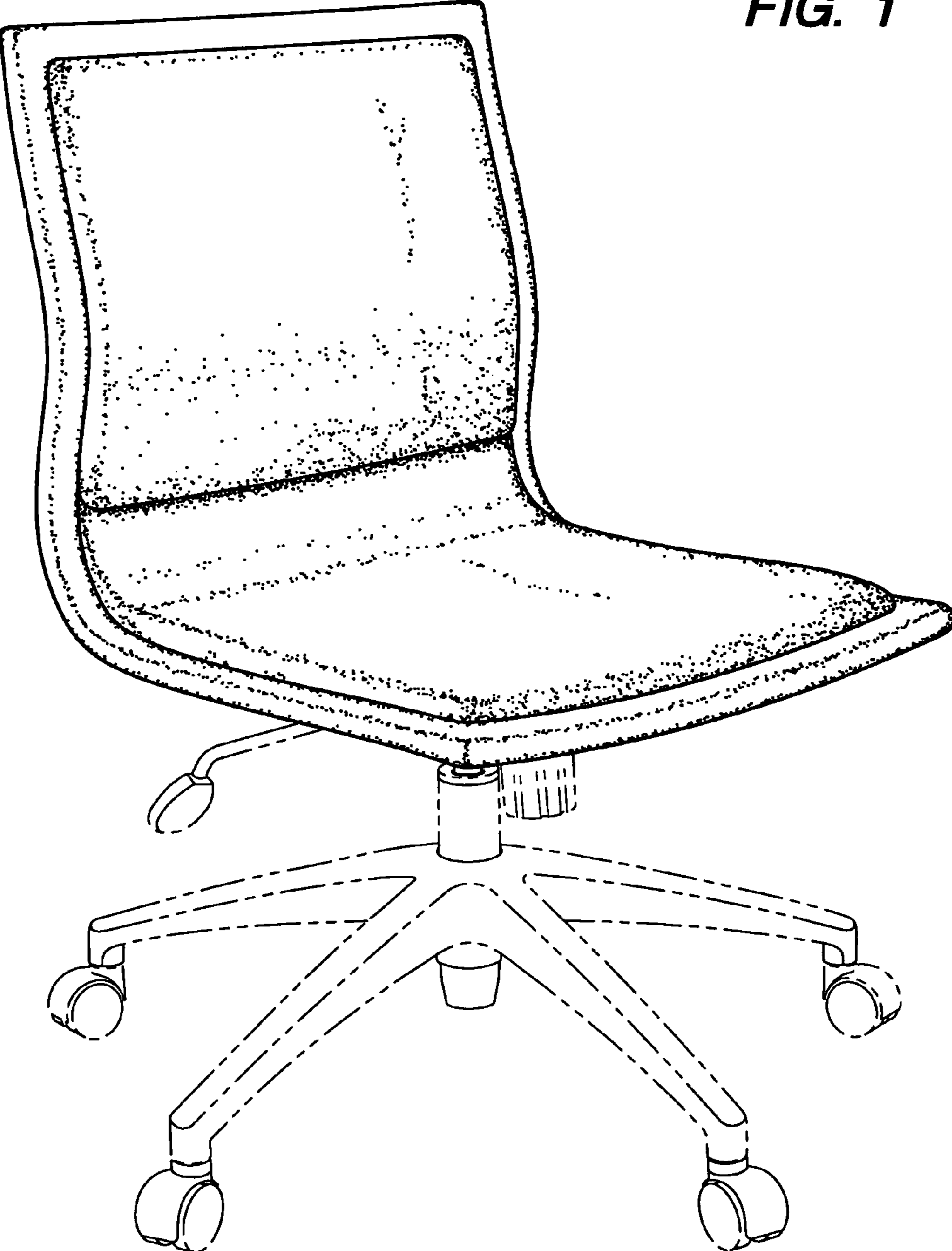


FIG. 2

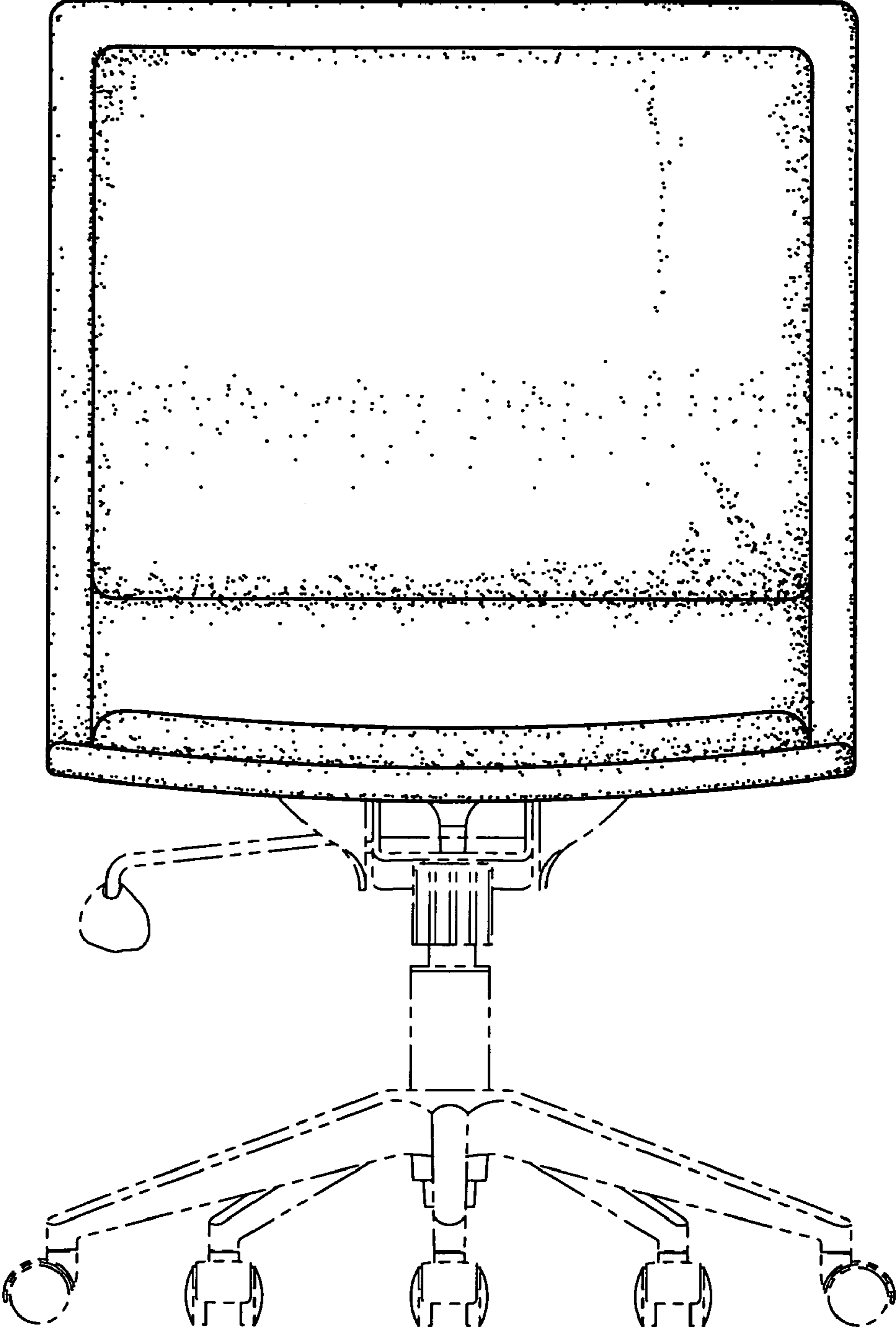


FIG. 3

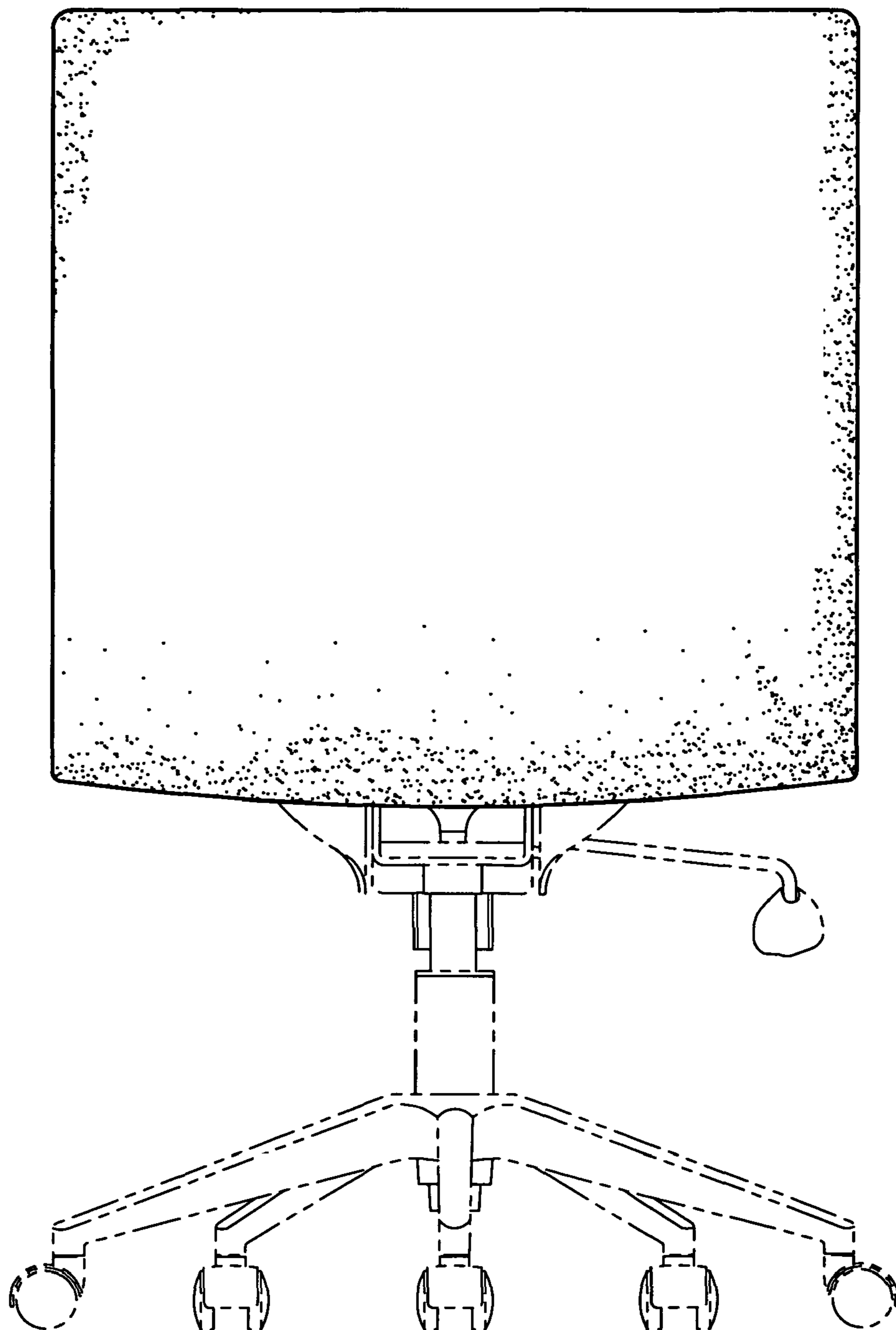
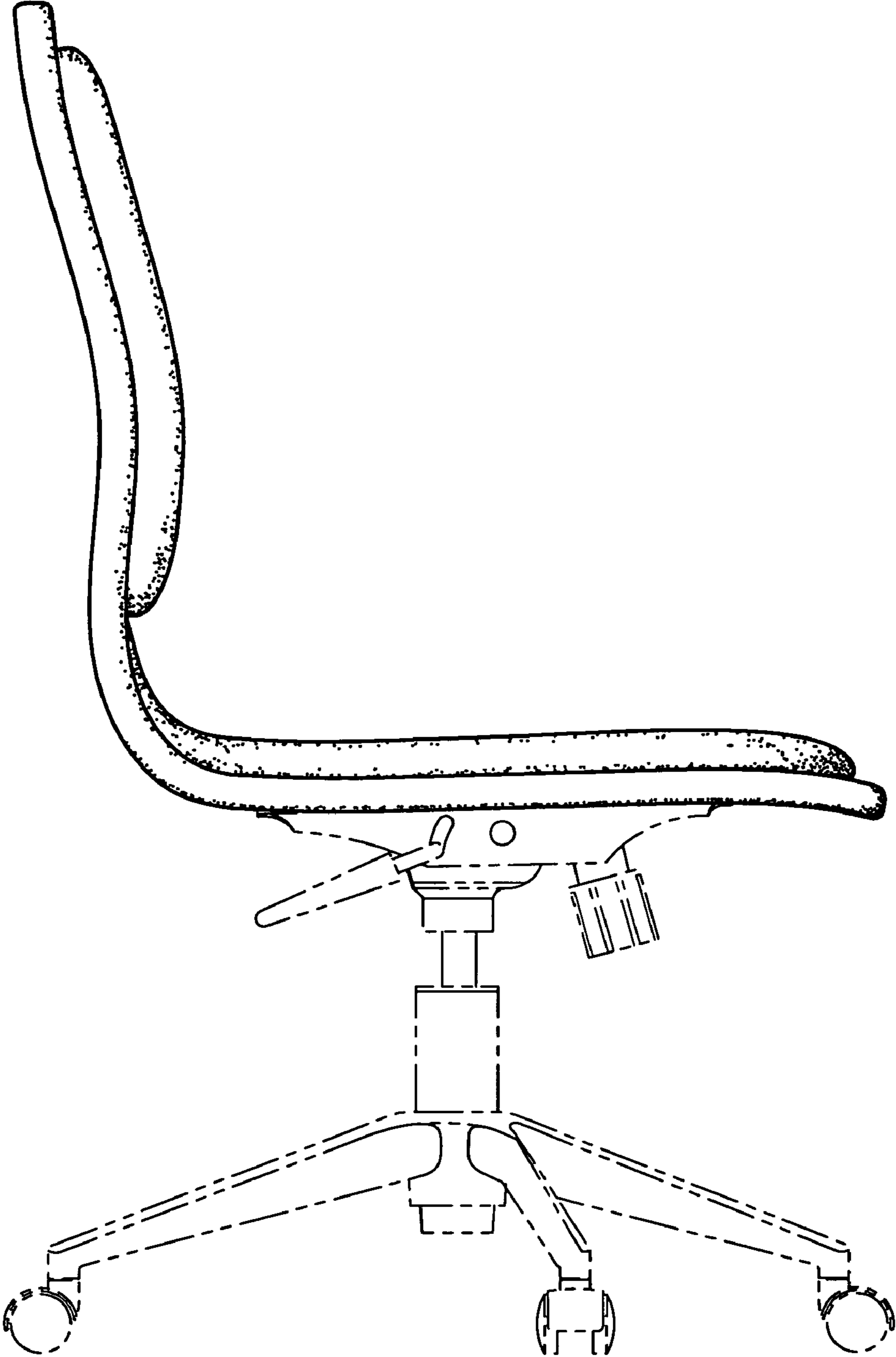


FIG. 4



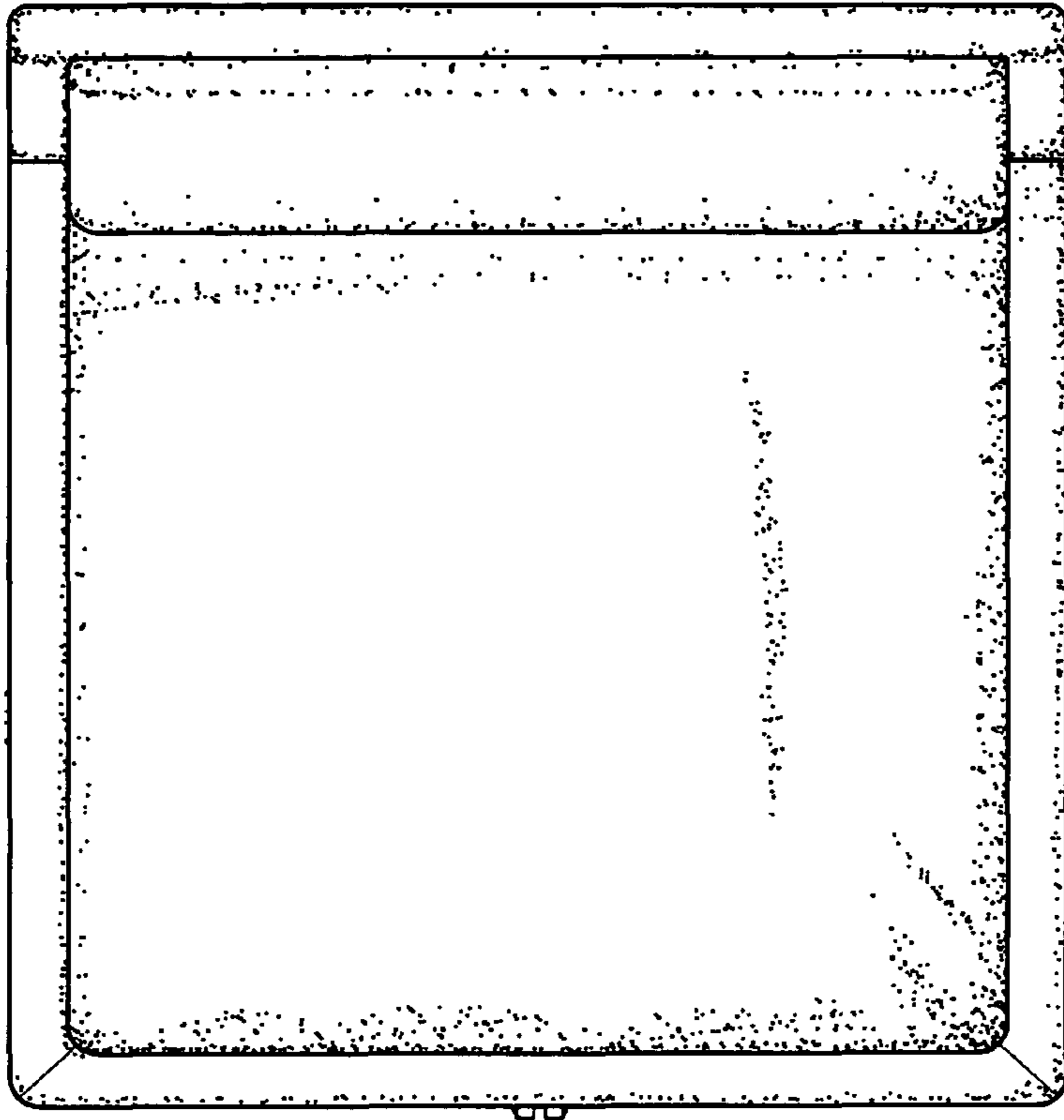


FIG. 5

FIG. 6

