



US00D654729S

(12) **United States Design Patent**  
**Starck et al.**

(10) **Patent No.:** **US D654,729 S**  
(45) **Date of Patent:** **\*\* Feb. 28, 2012**

(54) **CHAIR**

(75) Inventors: **Philippe Starck**, Paris (FR); **Eugeni Quitlet**, Paris (FR)

(73) Assignee: **Kartell S.p.A.** (IT)

(\*\*) Term: **14 Years**

(21) Appl. No.: **29/359,549**

(22) Filed: **Apr. 13, 2010**

(51) **LOC (9) Cl.** ..... **06-01**

(52) **U.S. Cl.** ..... **D6/500**

(58) **Field of Classification Search** ..... D6/334-336,  
D6/369, 370, 374, 375, 376, 379, 380, 500-502;  
297/239, 411.42, 445.1, 446.1, 451.11, DIG. 2  
See application file for complete search history.

(56) **References Cited**

**U.S. PATENT DOCUMENTS**

D348,572 S	*	7/1994	Glass	.....	D6/379
D466,313 S	*	12/2002	Hutton	.....	D6/334
D475,539 S	*	6/2003	Savini	.....	D6/334

D481,227 S	*	10/2003	Lenger	.....	D6/500
D501,340 S	*	2/2005	Grossman et al.	.....	D6/500
D550,465 S	*	9/2007	Bouroullec et al.	.....	D6/334
D569,664 S	*	5/2008	Schweikarth et al.	.....	D6/500
D572,930 S	*	7/2008	Frinier	.....	D6/375
D592,874 S	*	5/2009	Solomon	.....	D6/374

\* cited by examiner

*Primary Examiner* — Brian N Vinson

(74) *Attorney, Agent, or Firm* — Cantor Colburn LLP

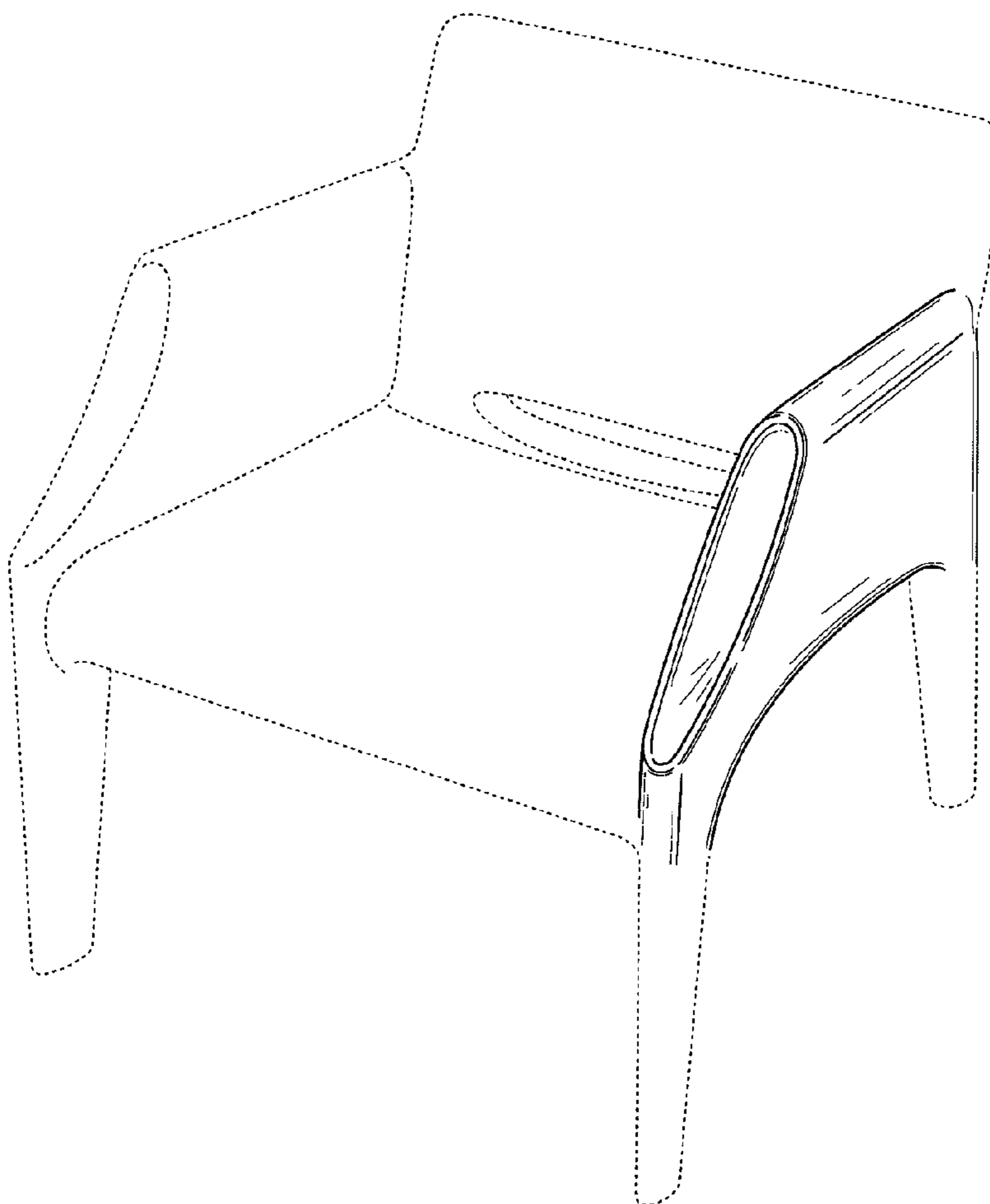
(57) **CLAIM**

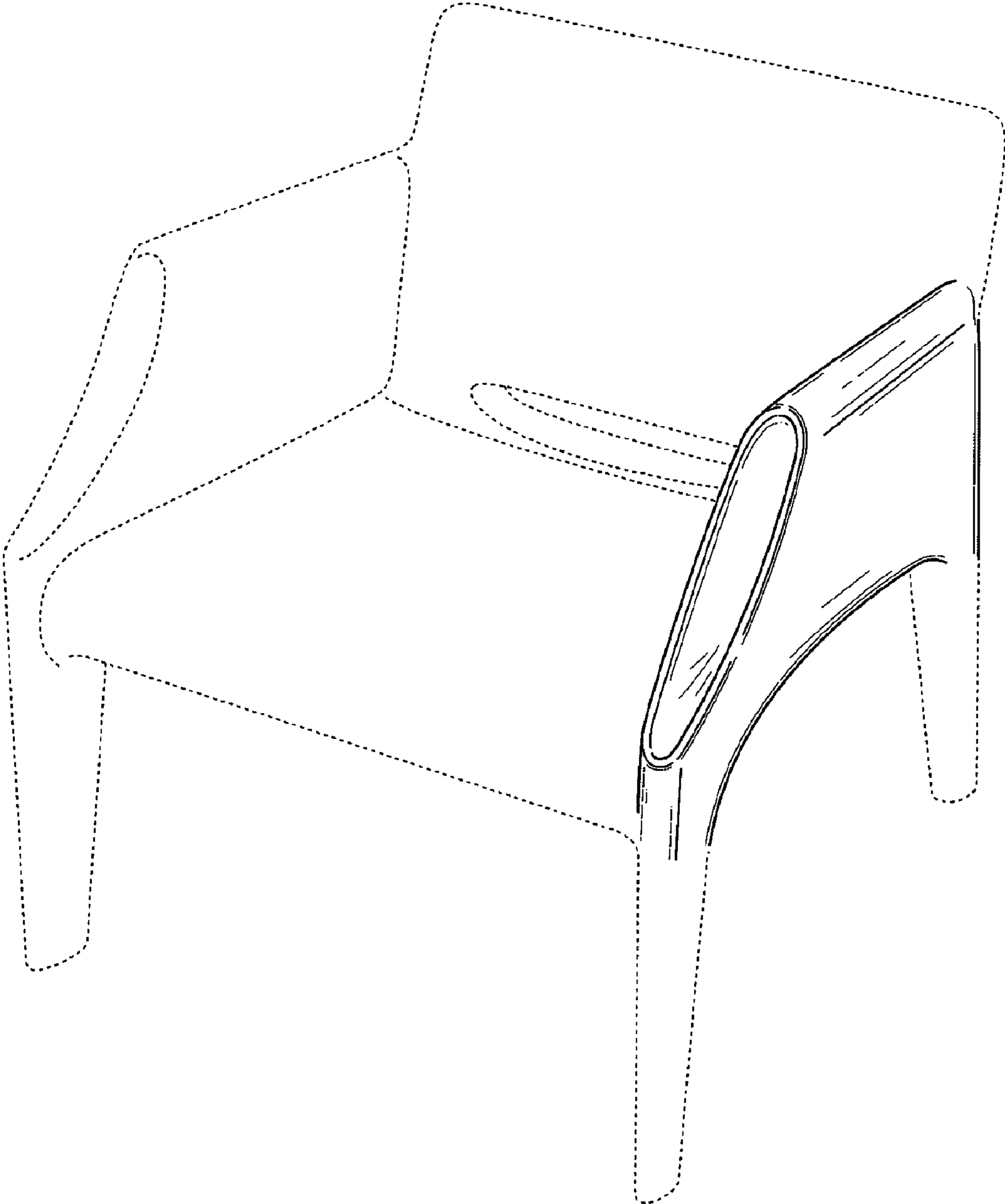
We claim, the ornamental design for a chair, as shown and described.

**DESCRIPTION**

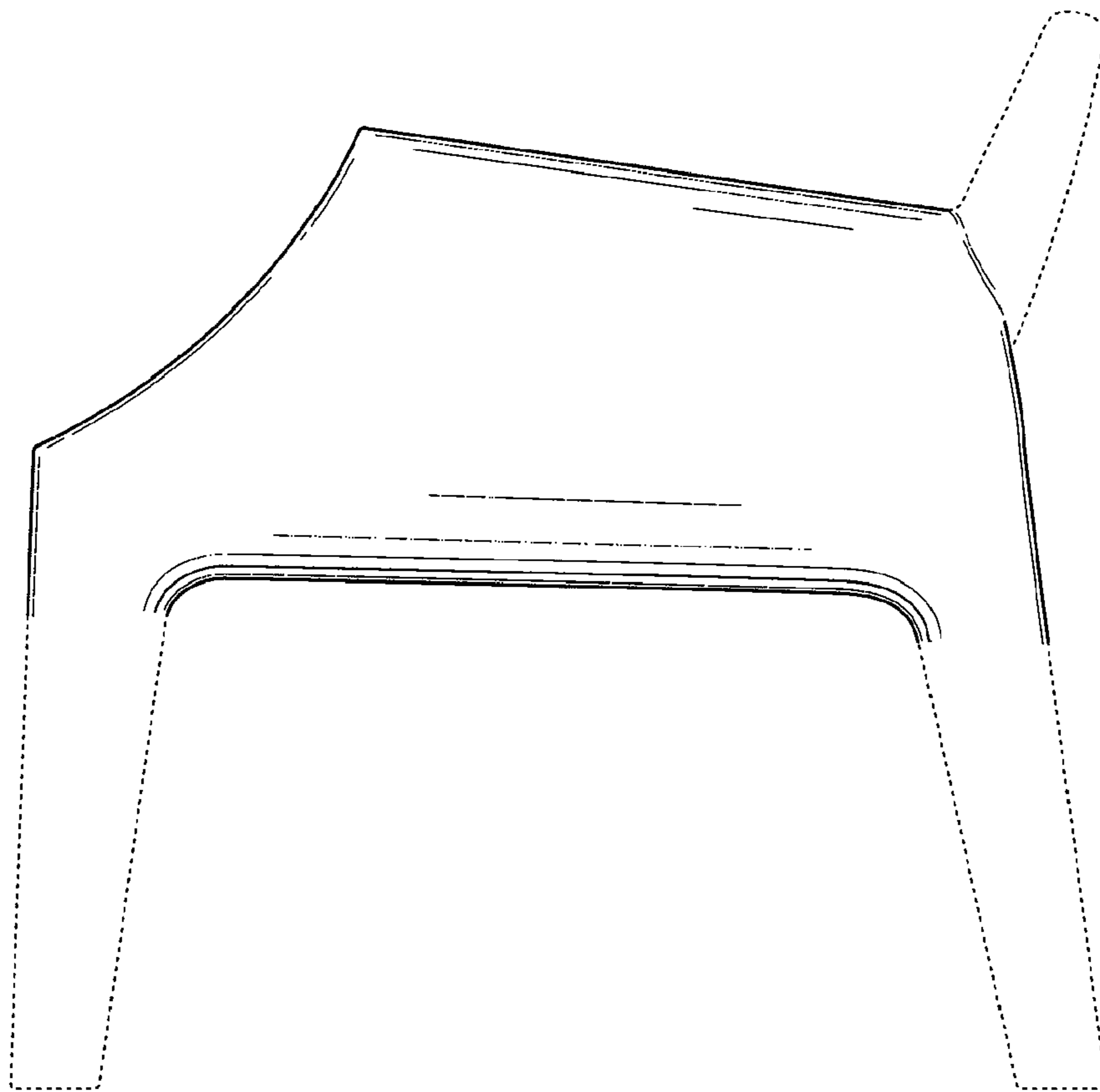
FIG. 1 is a front perspective view of a chair, showing our new design;  
FIG. 2 is a side elevation view thereof taken from the right of FIG. 1, the opposite side view being a mirror image hereof;  
FIG. 3 is a front elevation view thereof;  
FIG. 4 is a rear elevation view thereof; and,  
FIG. 5 is a top plan view thereof.

**1 Claim, 5 Drawing Sheets**

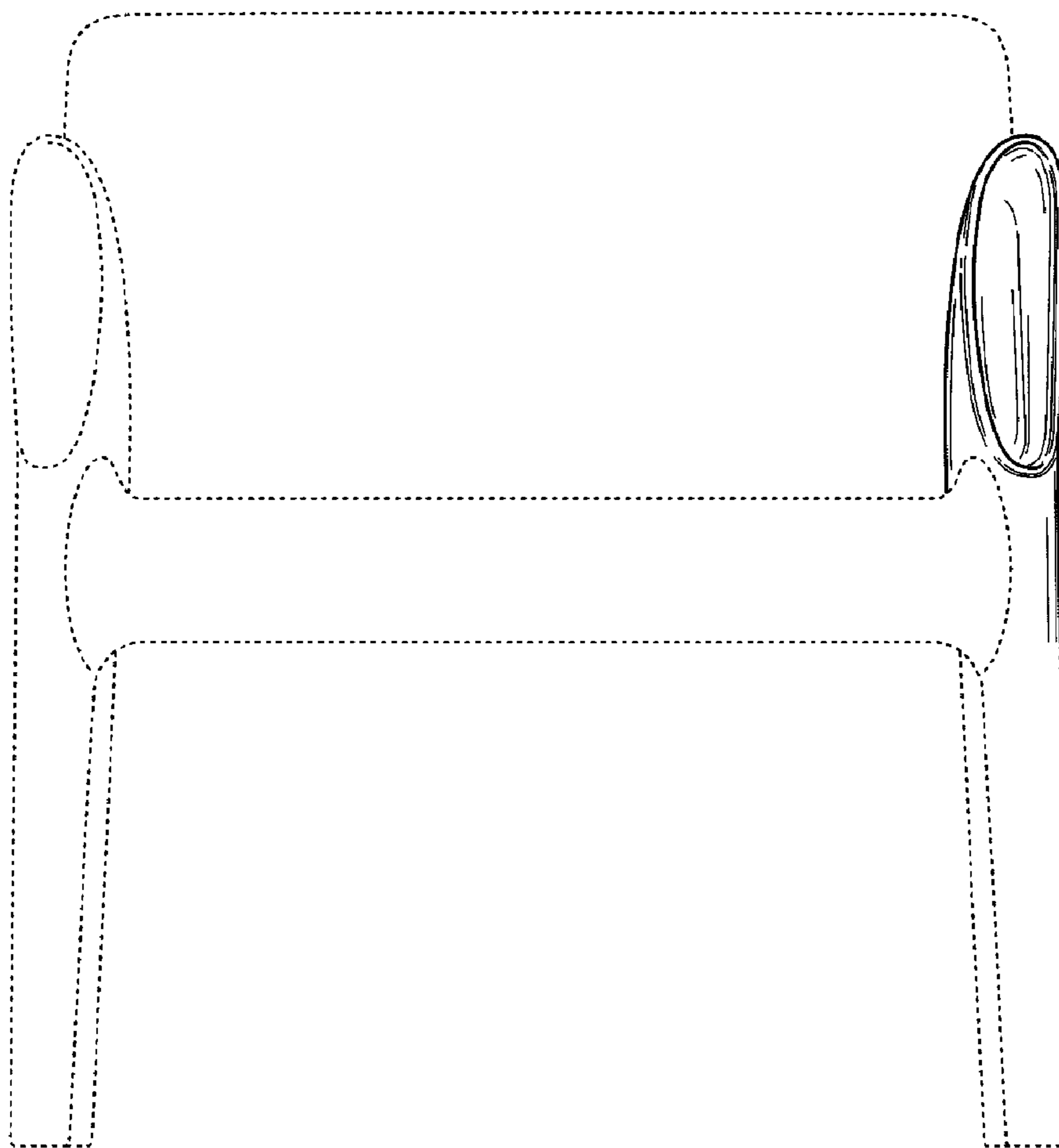




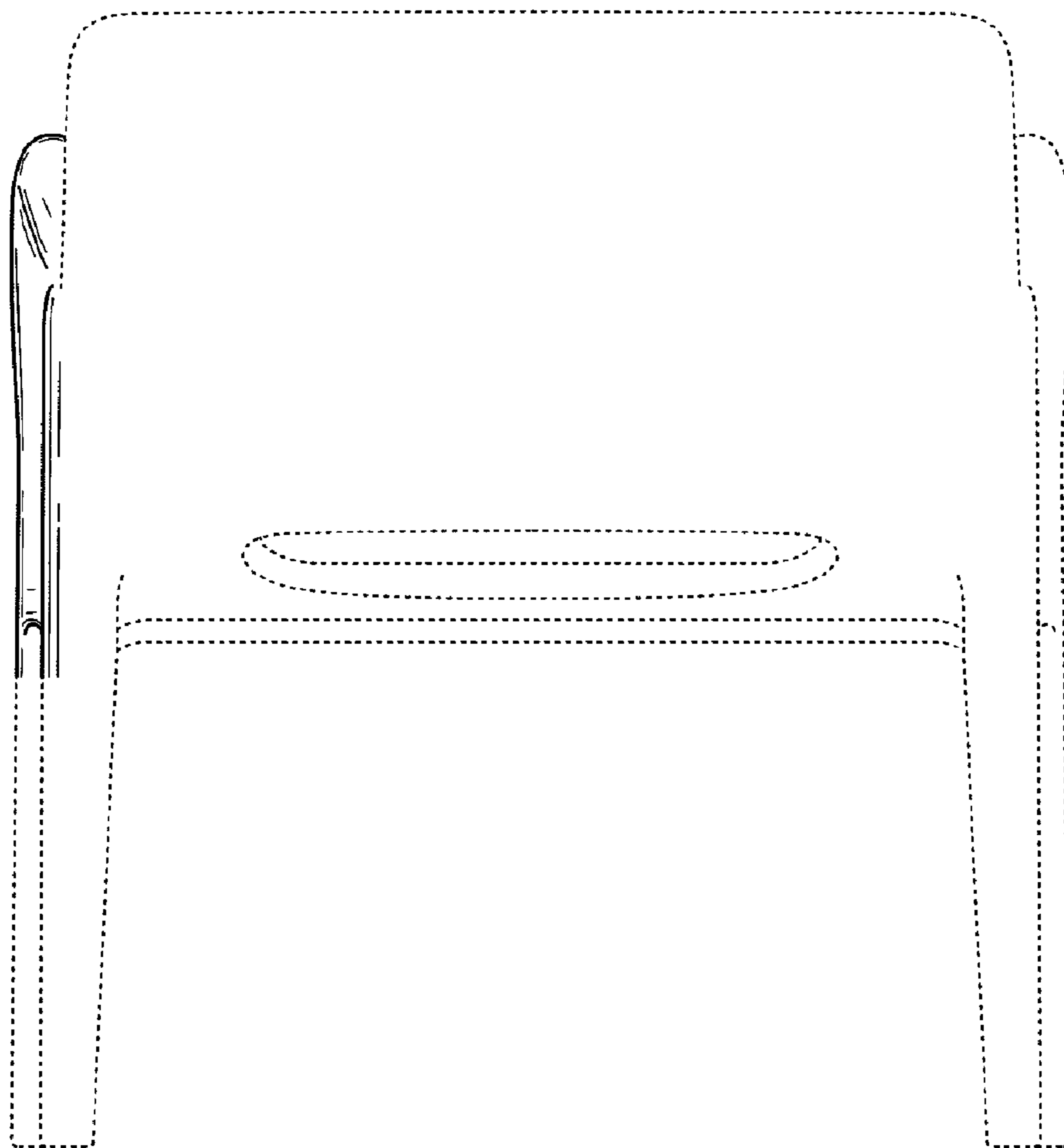
**FIG. 1**



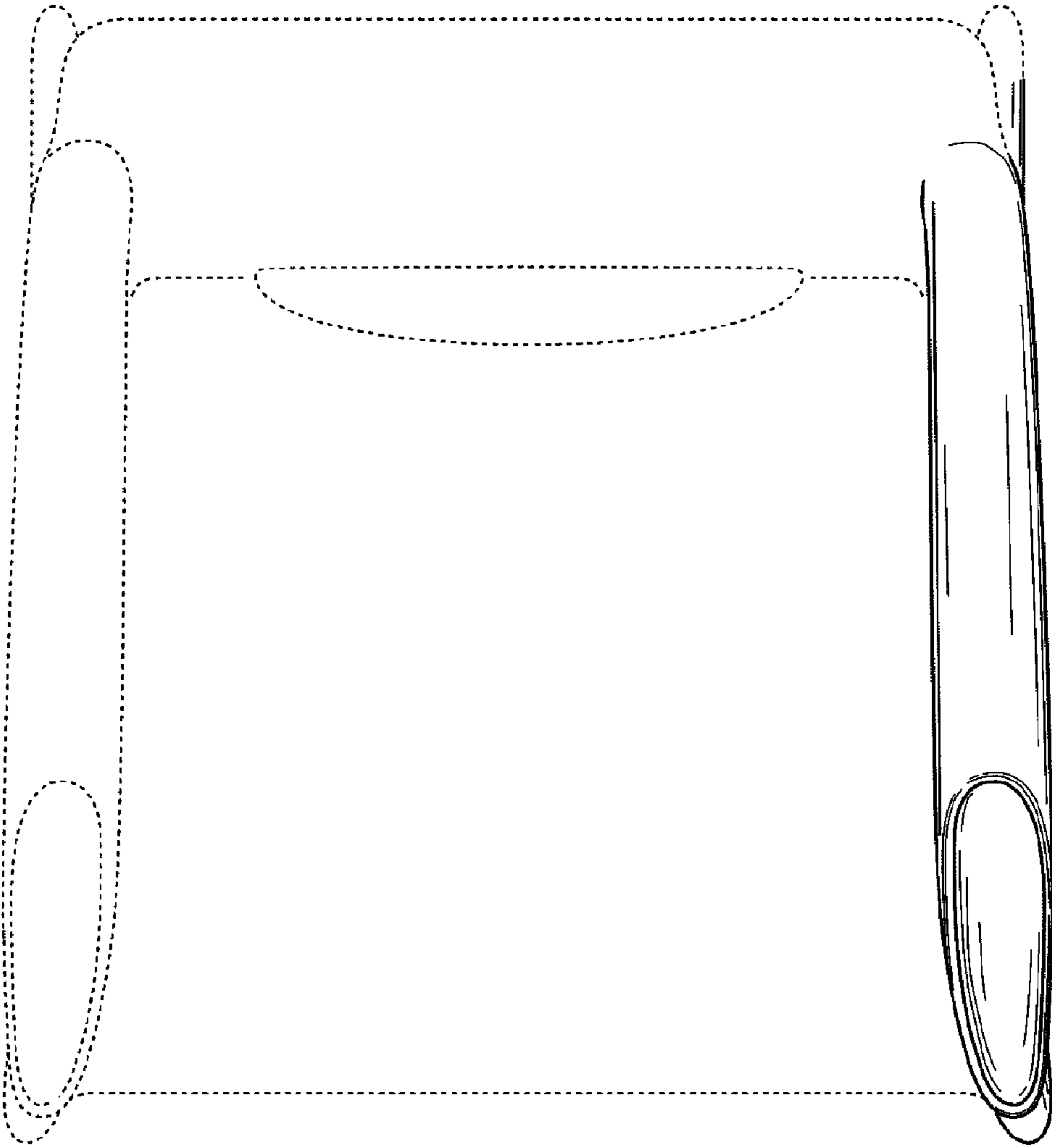
**FIG. 2**



**FIG. 3**



**FIG. 4**



**FIG. 5**