



US00D654723S

(12) **United States Design Patent**  
**Gormezano**

(10) **Patent No.:** **US D654,723 S**

(45) **Date of Patent:** **\*\* \*Feb. 28, 2012**

(54) **DISPLAY CABINET FOR SHIRTS**

(76) Inventor: **Jeremy Gormezano**, Paris (FR)

(\*) Notice: This patent is subject to a terminal disclaimer.

(\*\*) Term: **14 Years**

(21) Appl. No.: **29/289,402**

(22) Filed: **Jul. 17, 2007**

(51) **LOC (9) Cl.** ..... **06-04**

(52) **U.S. Cl.** ..... **D6/449**

(58) **Field of Classification Search** ..... D6/467,  
D6/449, 455-457, 474, 476-479, 432, 437-439,  
D6/445-446; 211/13.1, 85.2, 85.3, 90.01,  
211/134, 153; 312/114, 204, 109, 265.1-265.6,  
312/348.3, 348.2, 138.1; 220/580, 529  
See application file for complete search history.

(56) **References Cited**

**U.S. PATENT DOCUMENTS**

D189,324 S *	11/1960	Garth	.....	D15/86
D239,750 S *	5/1976	Sgombick	.....	D6/446
D247,403 S *	3/1978	Muller	.....	D6/431
D251,945 S *	5/1979	Offredi	.....	D6/436
D252,062 S *	6/1979	West	.....	D6/439
D296,055 S	6/1988	De Prins		
D296,396 S	6/1988	De Prins		
D296,633 S	7/1988	De Prins		
D298,194 S	10/1988	De Prins		
D301,413 S	6/1989	Rosen		
D333,567 S *	3/1993	Dziewa	.....	D6/436
D333,931 S	3/1993	Wein		

D341,144 S *	11/1993	Rice	.....	D15/86
D379,631 S *	6/1997	Odom	.....	D15/86
D386,017 S	11/1997	Inman		
D410,155 S *	5/1999	Wang	.....	D6/437
D461,975 S *	8/2002	Zellars et al.	.....	D6/470
D469,986 S	2/2003	Stanton		
D498,614 S *	11/2004	Kalaouze	.....	D6/470
D515,813 S *	2/2006	Roberson	.....	D3/319
D518,663 S	4/2006	Chou		
D521,274 S *	5/2006	Dusenberry	.....	D6/470

\* cited by examiner

*Primary Examiner* — Caron D Veynar

*Assistant Examiner* — Abraham Bahta

(57) **CLAIM**

The ornamental design for a display cabinet for shirts, as shown and described.

**DESCRIPTION**

FIG. 1 is a perspective view of the display cabinet for shirts showing my new design;

FIG. 2 is a front view thereof;

FIG. 3 is a front view thereof, with shirts disposed on the doors of the cabinet;

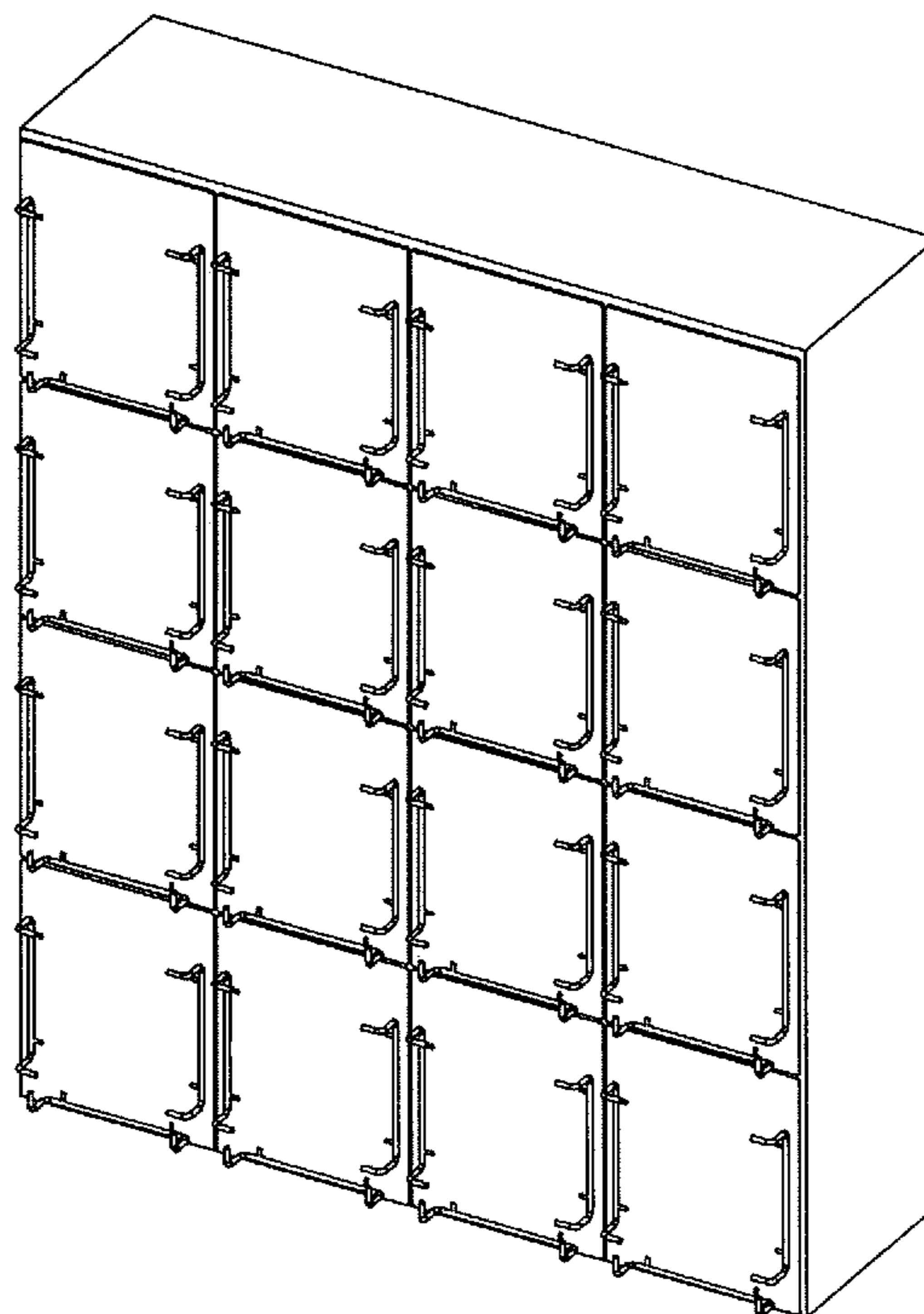
FIG. 4 is a perspective view thereof, with one of the doors in an open position;

FIG. 5 is a perspective view thereof, with two of the doors in an open position; and,

FIG. 6 is a perspective view thereof, with sixty four compartments and doors.

The broken line showing of portions of the display cabinet for shirts is included for the purpose of illustrating environmental structure and forms no part of the claimed design.

**1 Claim, 6 Drawing Sheets**



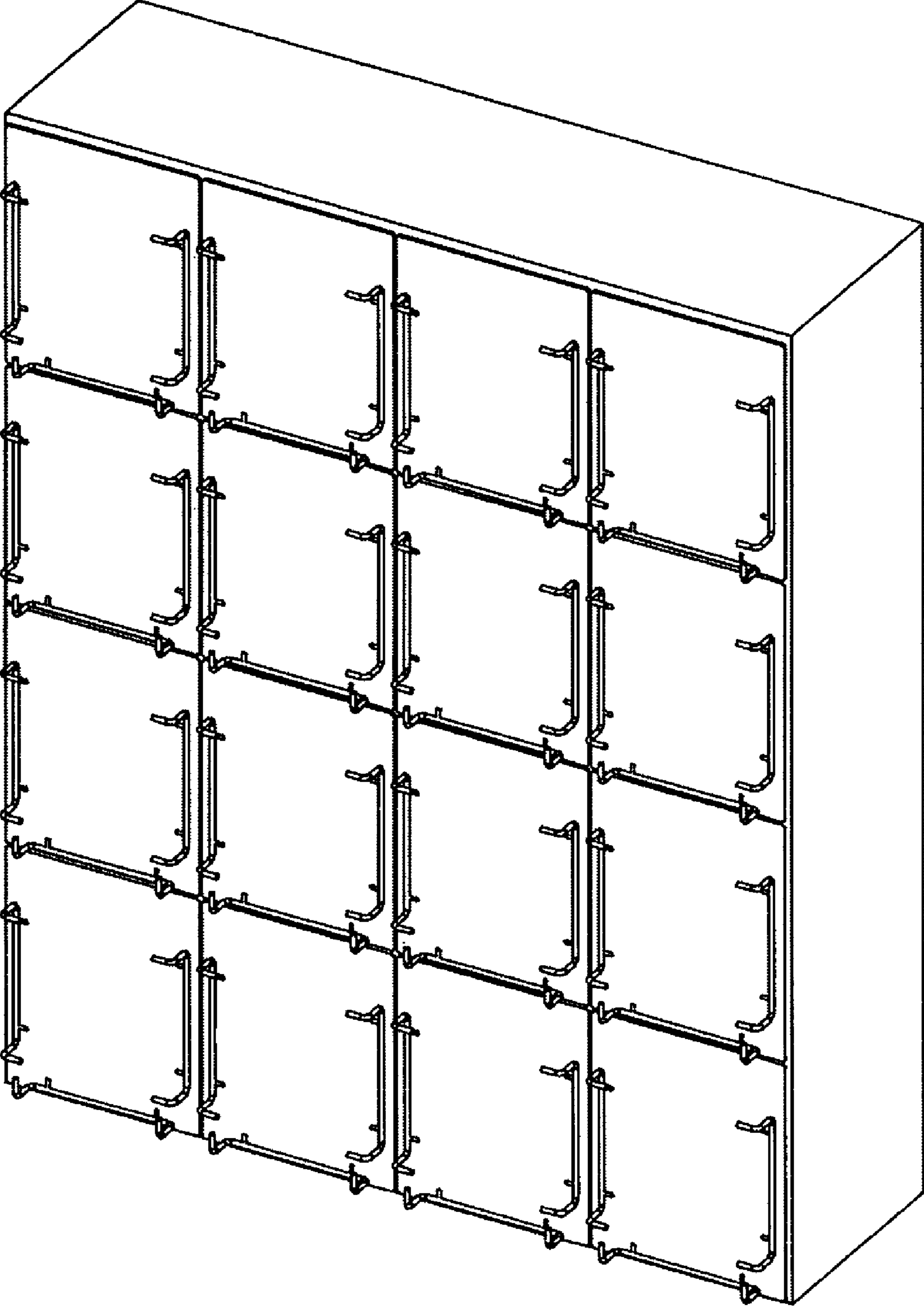


FIG. 1

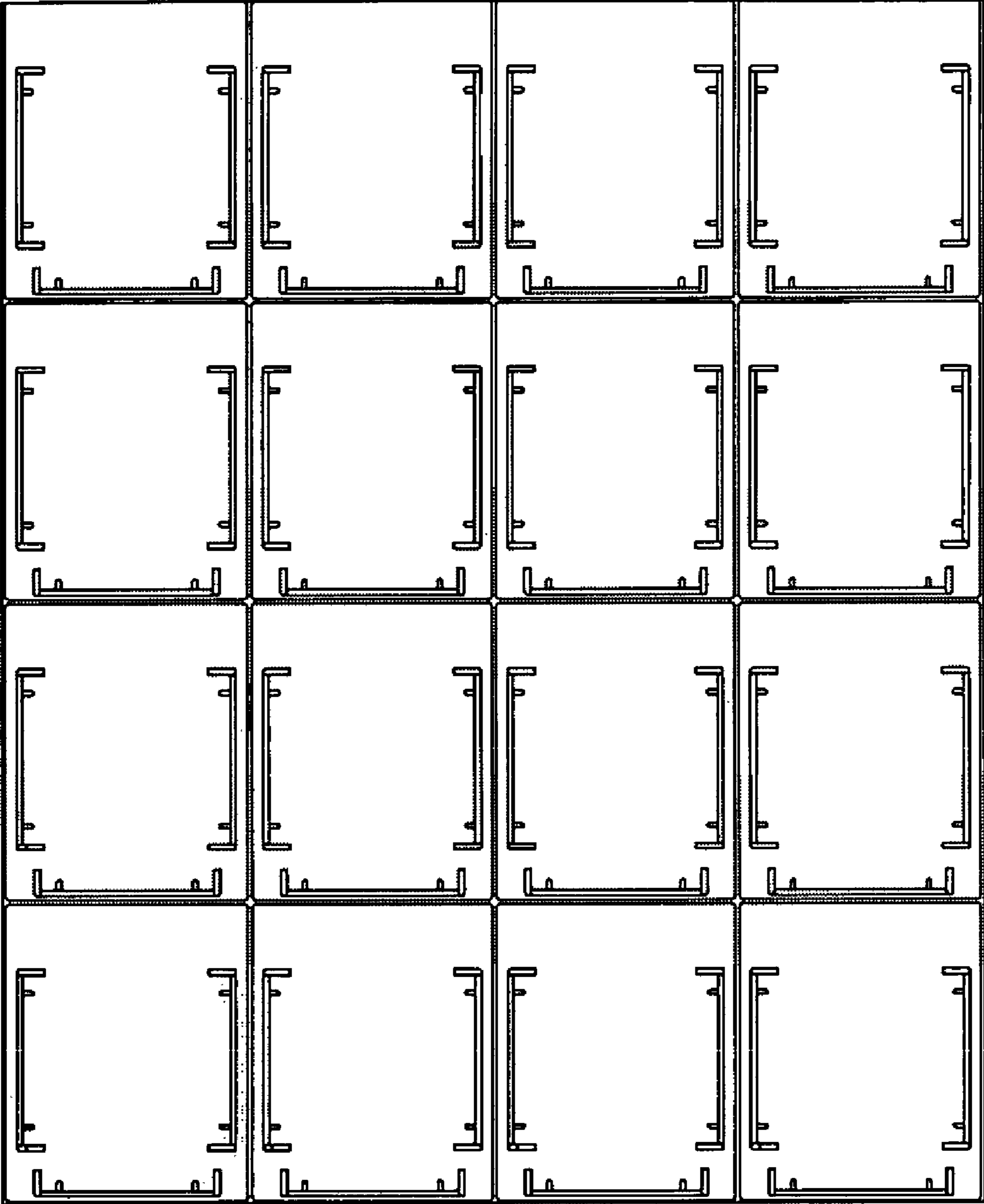


FIG. 2

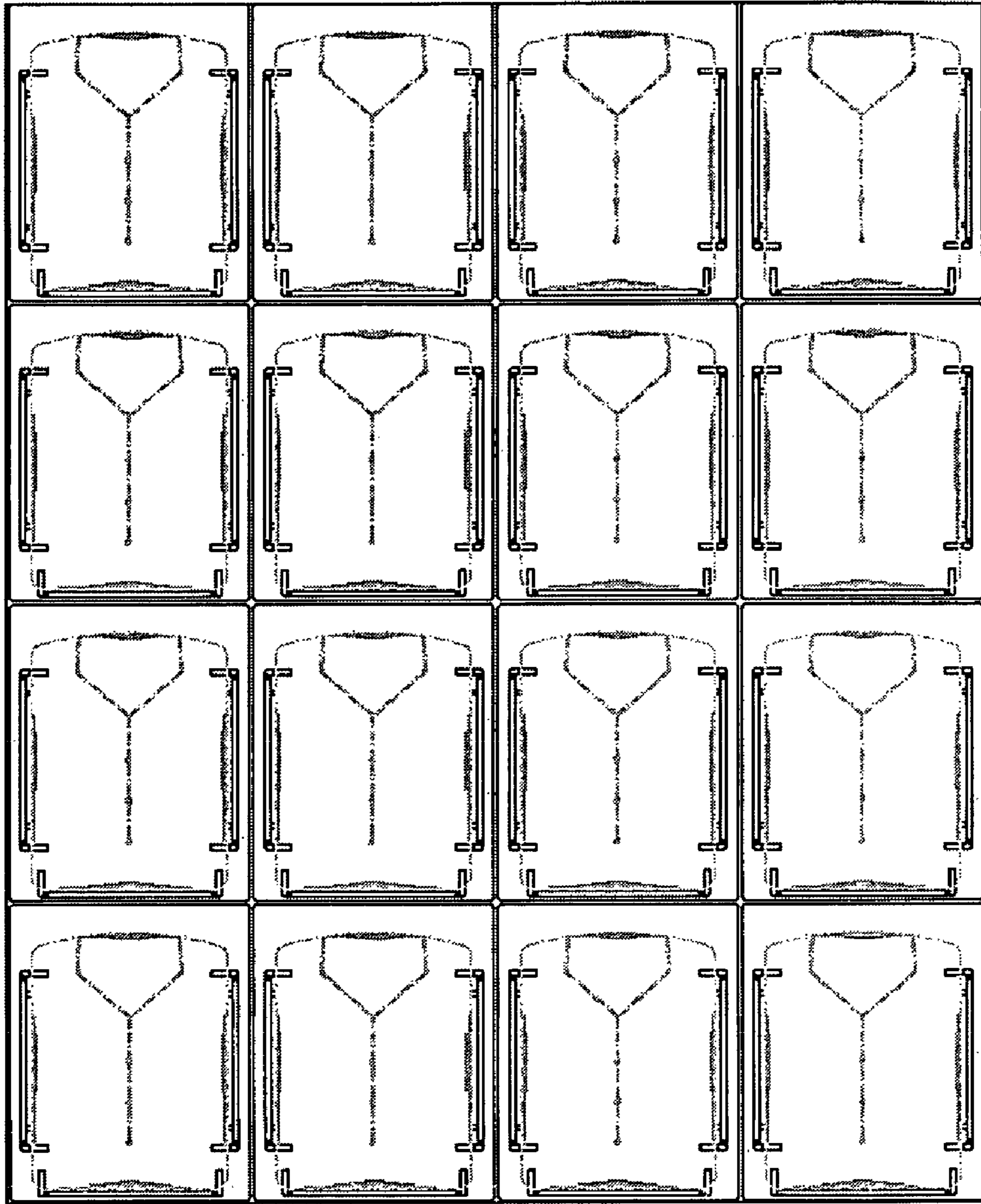


FIG. 3

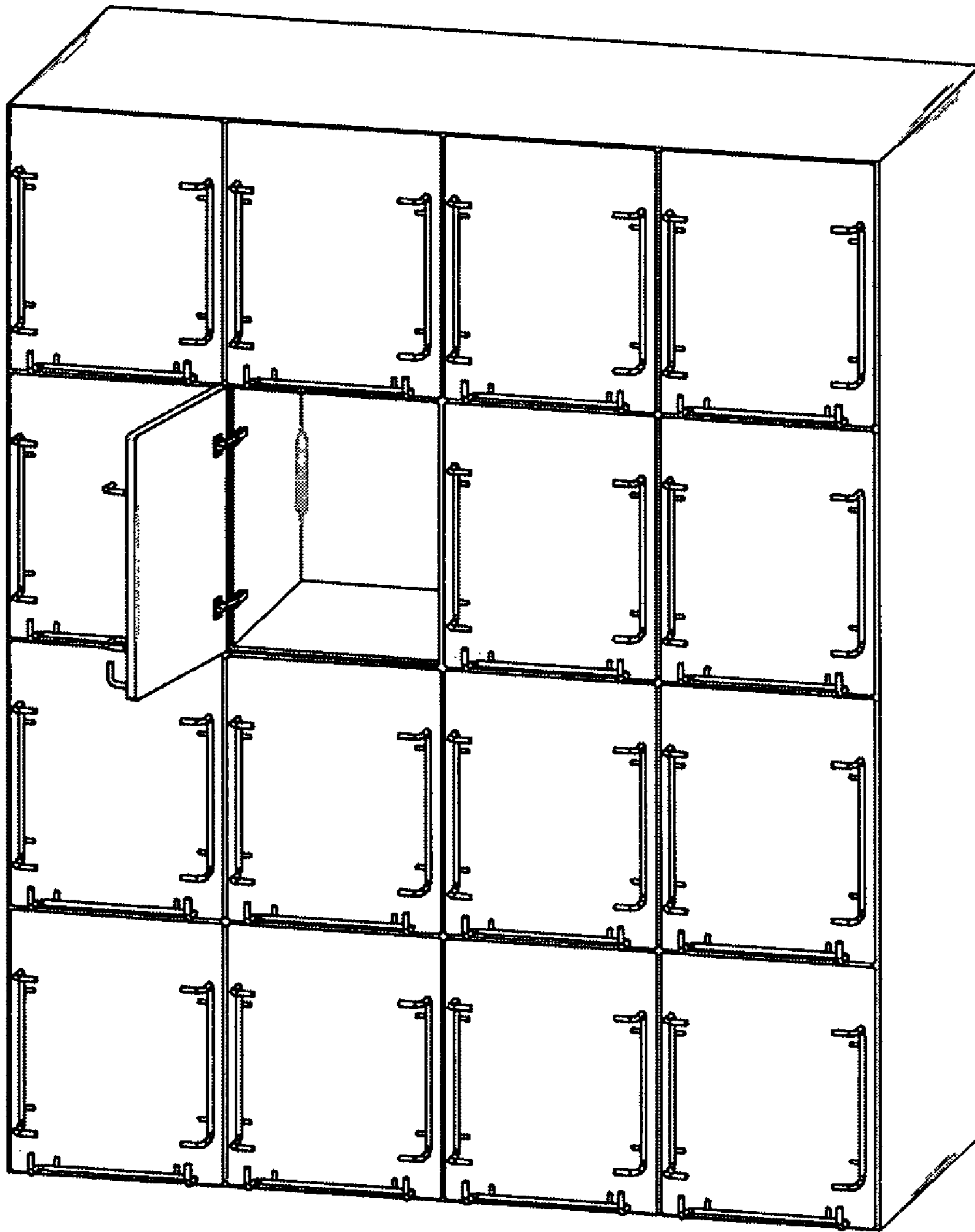


FIG. 4

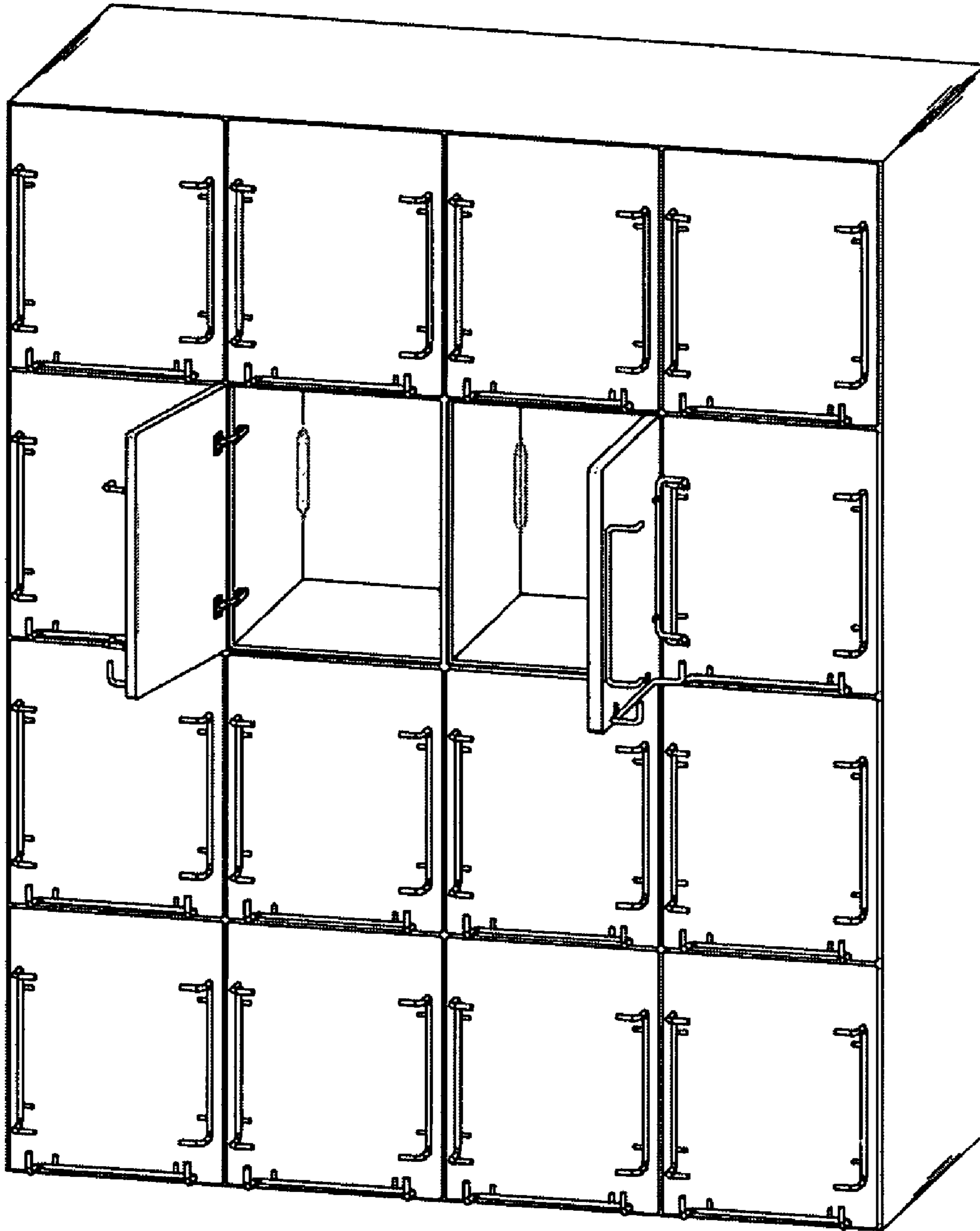


FIG. 5

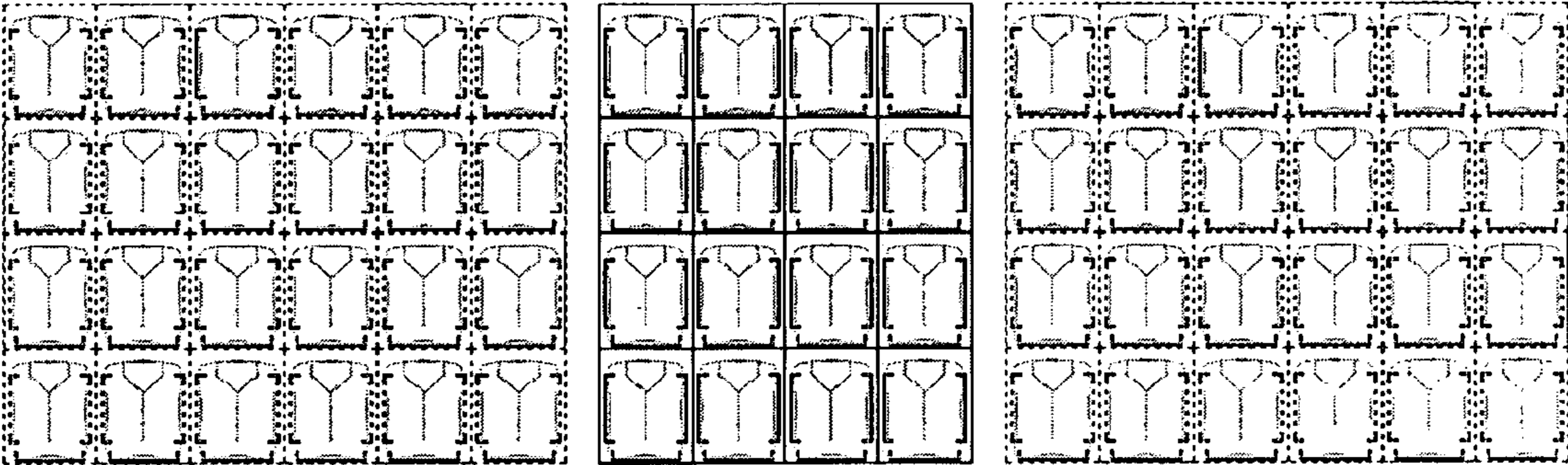


FIG. 6