



US00D654719S

(12) **United States Design Patent**  
**Stukenberg**

(10) **Patent No.:** **US D654,719 S**

(45) **Date of Patent:** **\*\* Feb. 28, 2012**

(54) **DISPLAY FIXTURE**

(75) Inventor: **Joseph R. Stukenberg**, Minneapolis,  
MN (US)

(73) Assignee: **Target Brands, Inc.**, Minneapolis, MN  
(US)

(\*\*) Term: **14 Years**

(21) Appl. No.: **29/358,811**

(22) Filed: **Apr. 1, 2010**

(51) **LOC (9) Cl.** ..... **06-04**

(52) **U.S. Cl.** ..... **D6/418**

(58) **Field of Classification Search** ..... D6/397,  
D6/396, 449, 467, 336, 480, 477, 382, 420,  
D6/431, 484, 429, 422, 436, 466; 211/13.1,  
211/42; D3/302; D12/415; D30/101-107;  
248/188.1, 188.8, 188; 108/150, 151, 152,  
108/153.1, 157.1, 161

See application file for complete search history.

(56) **References Cited**

**U.S. PATENT DOCUMENTS**

1,929,046 A	10/1933	Wurslin	
D174,407 S	4/1955	Anderle	
3,015,466 A	1/1962	Levy	
3,305,286 A	2/1967	Fenwick	
D216,715 S	3/1970	Dottinger	
3,971,477 A	7/1976	Bruderly et al.	
D242,192 S *	11/1976	Robinson	D6/397
D244,889 S *	7/1977	Neuschwander	D6/397
4,035,941 A	7/1977	Deffner	
4,116,509 A	9/1978	Smith	
4,186,666 A	2/1980	Honickman	
4,191,298 A	3/1980	Broudy	
D257,995 S *	1/1981	Mikkelsen et al.	D3/302
D263,358 S	3/1982	Winter et al.	

4,324,076 A	4/1982	Honickman	
4,336,886 A	6/1982	Azoulay et al.	
D267,293 S *	12/1982	Georgi	D6/397
4,433,880 A	2/1984	Maravelas, Jr. et al.	
D277,626 S	2/1985	Evans	
4,508,231 A	4/1985	Honickman	
4,596,195 A	6/1986	Wenger	
D289,478 S	4/1987	Vogtherr	
4,655,354 A	4/1987	Cohen	

(Continued)

**OTHER PUBLICATIONS**

Lozier Corporation Catalog, Wood Counters & Showcases, pages thereof marked with various dates, pp. 901-909.

*Primary Examiner* — Philip S Hyder

*Assistant Examiner* — Sydney Buffalow

(74) *Attorney, Agent, or Firm* — Griffiths & Seaton

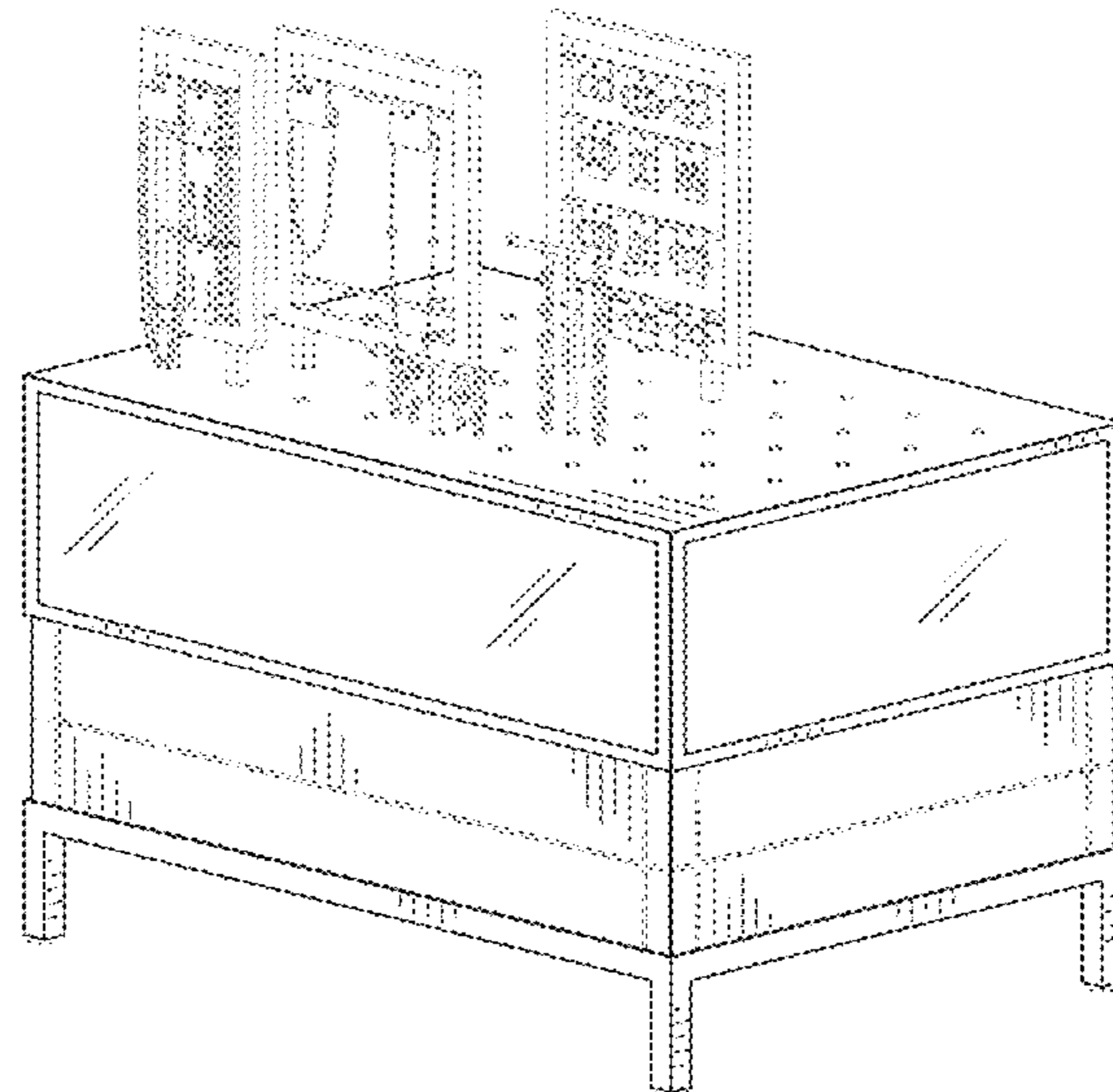
(57) **CLAIM**

The ornamental design for a display fixture, substantially as shown and described.

**DESCRIPTION**

FIG. 1 is a perspective view of a display fixture.  
FIG. 2 is a front elevation of the display fixture of FIG. 1.  
FIG. 3 is a rear elevation of the display fixture of FIG. 1.  
FIG. 4 is a left elevation view of the display fixture of FIG. 1.  
FIG. 5 is a right elevation view of the display fixture of FIG. 1.  
FIG. 6 is a top plan view of the display fixture of FIG. 1; and,  
FIG. 7 is a bottom plan view of the display fixture of FIG. 1.  
The broken lines are included for illustrative purposes only and form no part of the claimed design.  
The oblique shade lines on the upper vertical panels of the display fixture illustrate a translucent surface.

**1 Claim, 7 Drawing Sheets**



# US D654,719 S

Page 2

## U.S. PATENT DOCUMENTS

D290,791 S	7/1987	Kester	D394,360 S	5/1998	Geier et al.	
D294,543 S	3/1988	Rekow	5,890,607 A	4/1999	Maglione	
D301,413 S	6/1989	Rosen	D410,620 S *	6/1999	Sacco et al. ....	D12/415
D302,080 S	7/1989	Walter	5,918,432 A	7/1999	Mahone et al.	
D302,083 S	7/1989	Walter	5,918,750 A	7/1999	Jackson	
4,919,282 A	4/1990	Duff et al.	D424,320 S	5/2000	Klein et al.	
4,932,539 A	6/1990	Abinanti	D426,033 S *	5/2000	Rooks .....	D30/104
D312,177 S	11/1990	Walter et al.	D429,085 S *	8/2000	Welty et al. ....	D6/397
D314,090 S	1/1991	Stephens et al.	6,131,748 A	10/2000	Kawasaki et al.	
D314,286 S	2/1991	Glassenberg	D450,486 S	11/2001	Stafford et al.	
D314,482 S	2/1991	Walter et al.	D450,948 S	11/2001	Stafford et al.	
D315,651 S	3/1991	Citterio et al.	D451,300 S	12/2001	Stafford et al.	
D318,194 S	7/1991	Terrell et al.	D461,061 S *	8/2002	Kent .....	D6/336
D319,934 S	9/1991	Terrell et al.	6,561,365 B2	5/2003	Bustos	
D321,997 S	12/1991	Inman	6,860,456 B2	3/2005	Magnusson	
D322,188 S	12/1991	Leis et al.	D510,492 S	10/2005	Sakurai et al.	
5,090,725 A	2/1992	Feldner	7,234,604 B2	6/2007	Eisele	
D325,830 S	5/1992	Cury	D587,940 S	3/2009	Crowley	
D326,965 S	6/1992	Allen	D611,733 S	3/2010	Stukenberg	
D327,788 S	7/1992	Allen	D611,734 S	3/2010	Stukenberg et al.	
D328,825 S	8/1992	Allen	D611,735 S	3/2010	Stukenberg	
D331,160 S	11/1992	Brunner	D617,558 S *	6/2010	Myers .....	D3/302
D331,331 S	12/1992	Brunner	2002/0084726 A1	7/2002	O'Neill et al.	
D332,015 S	12/1992	Brunner	2005/0230338 A1	10/2005	Farinola et al.	
D335,052 S	4/1993	Barbuto et al.	2007/0023372 A1	2/2007	Davison et al.	
5,255,803 A	10/1993	Pavone et al.	2009/0184609 A1	7/2009	Haws, Jr.	
D364,292 S	11/1995	Good	2009/0184610 A1	7/2009	Haws, Jr.	
5,529,192 A	6/1996	Conen et al.	2009/0188875 A1	7/2009	Wade et al.	
D379,886 S	6/1997	Towfigh				

\* cited by examiner

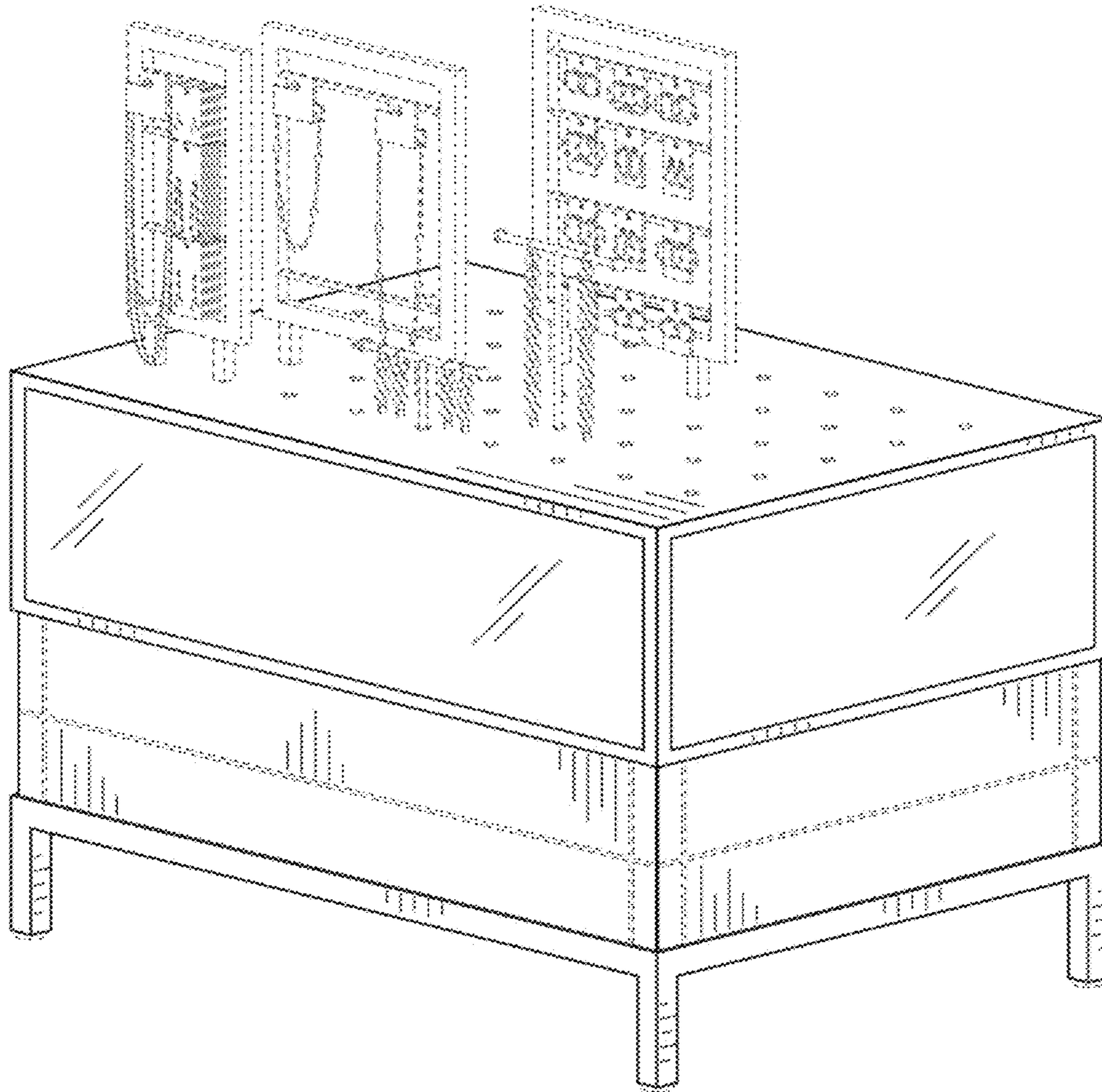
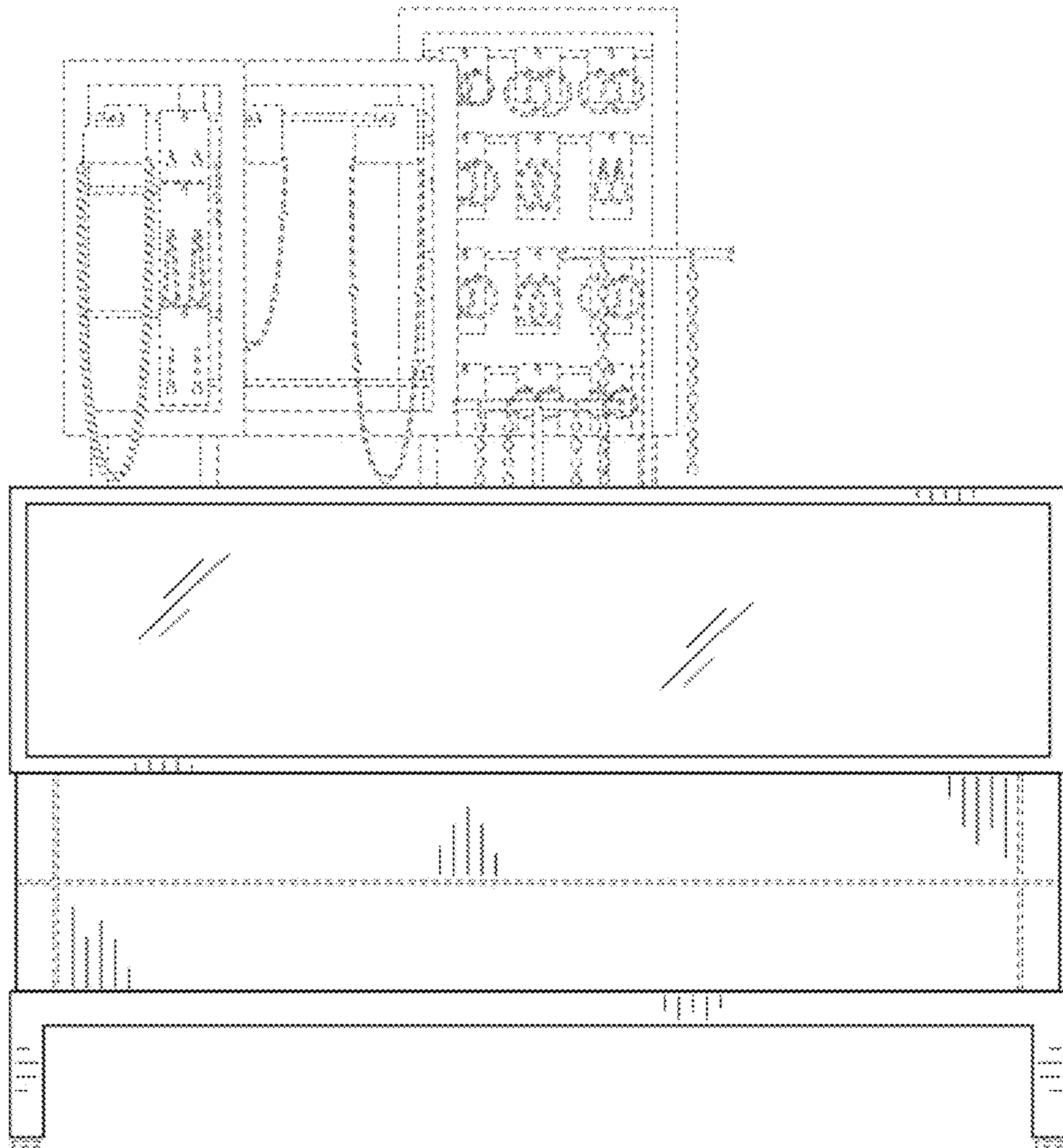


FIG. 1



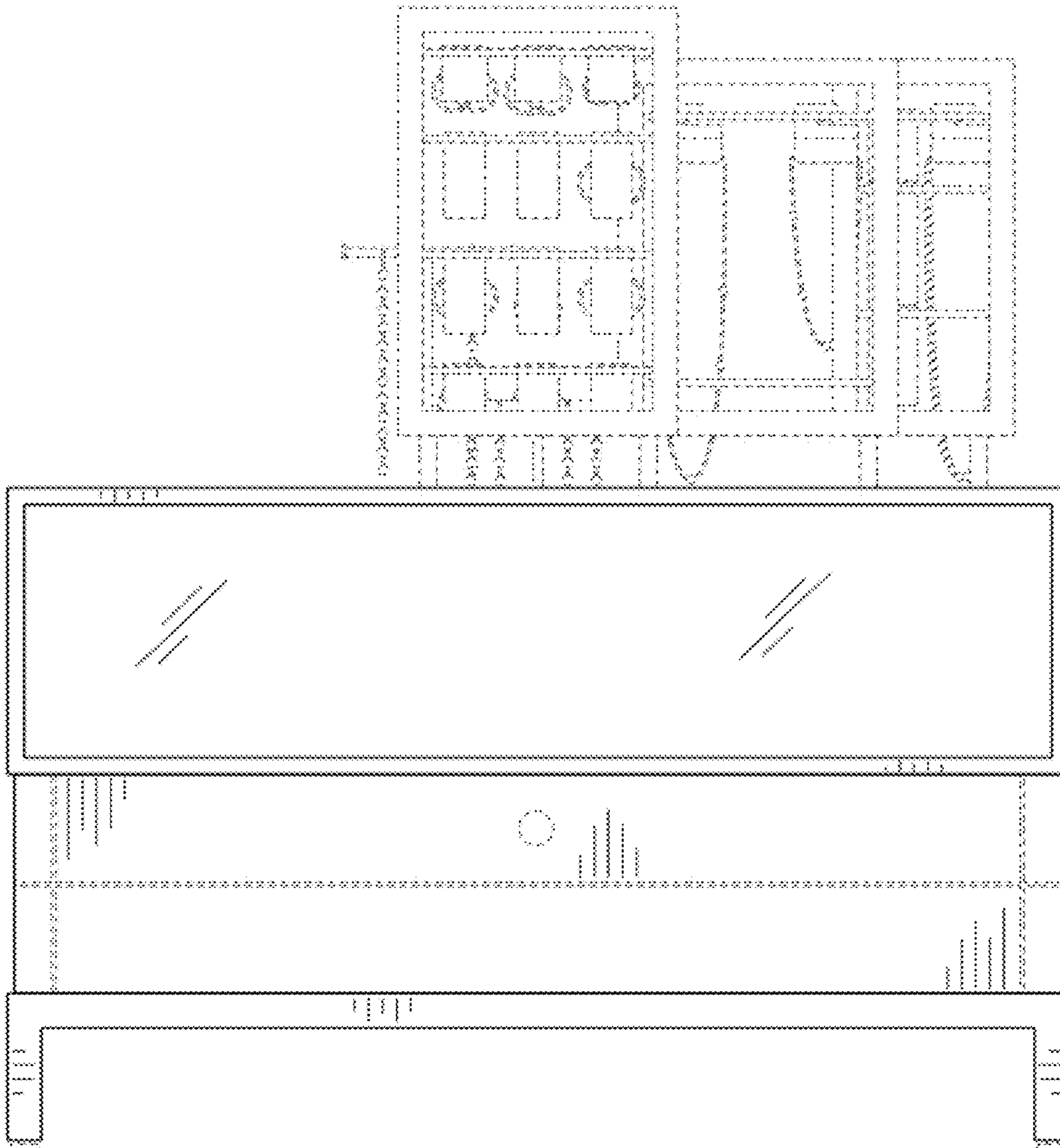


FIG. 3

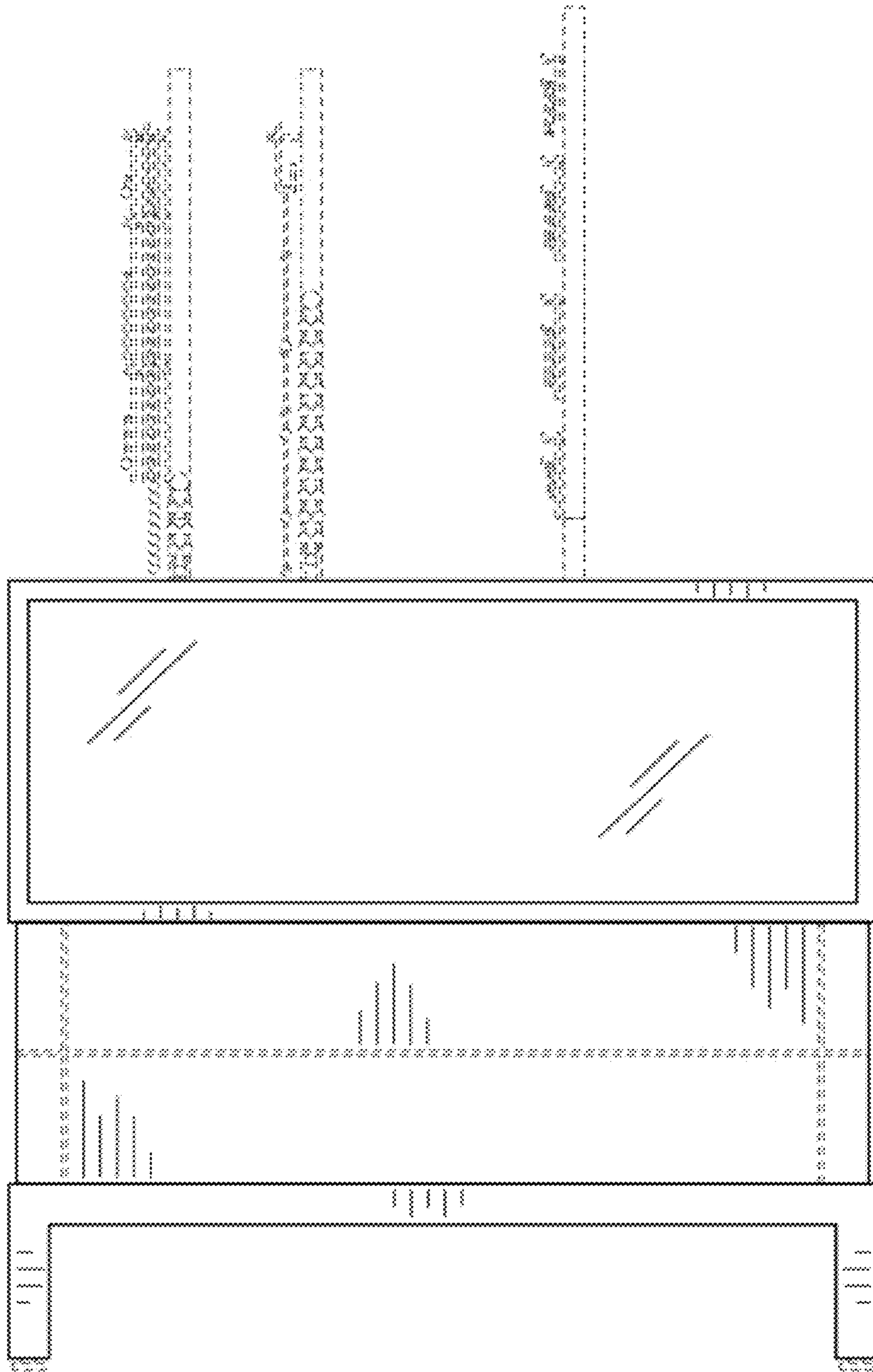


FIG. 4

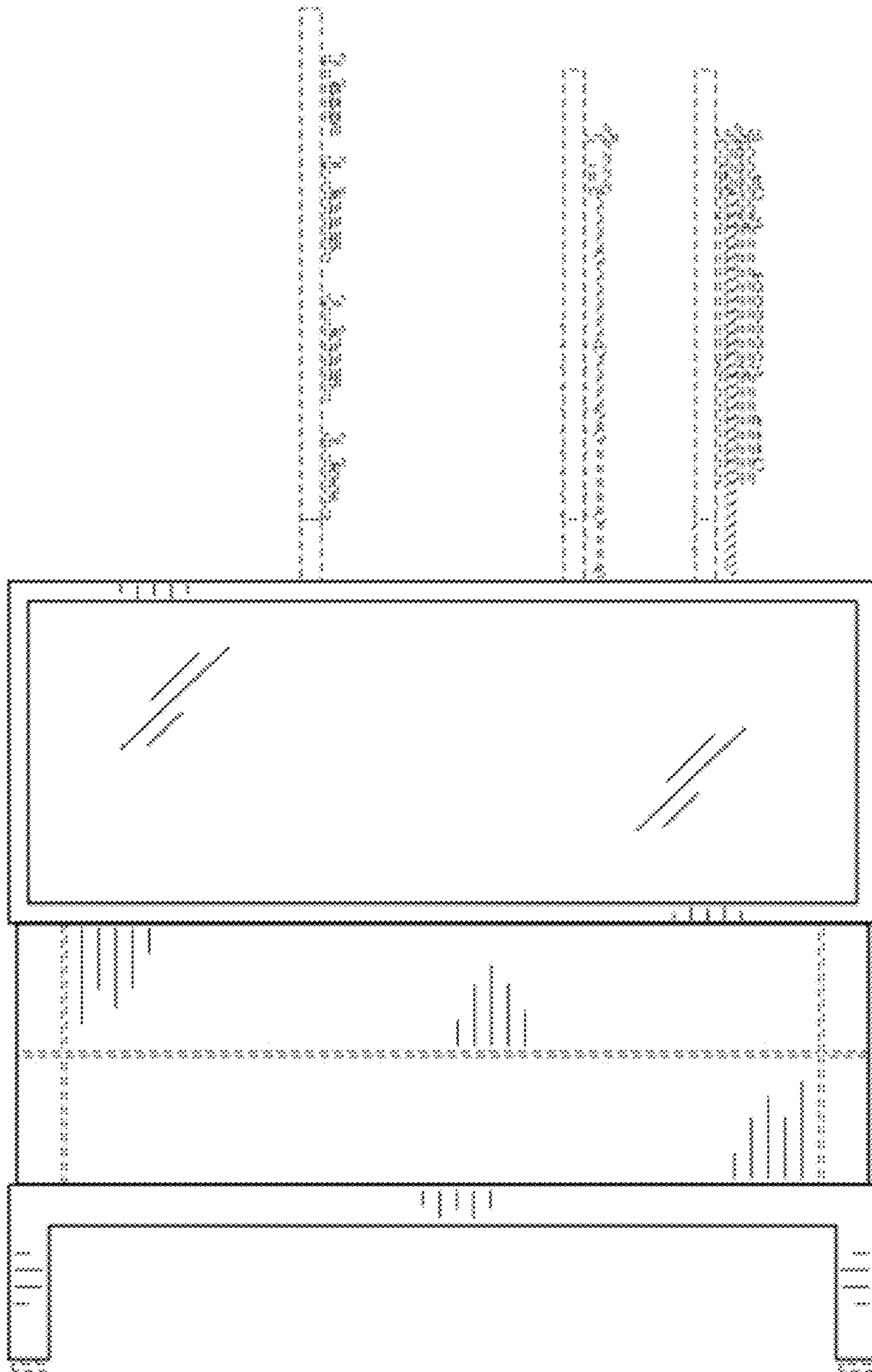


FIG. 5

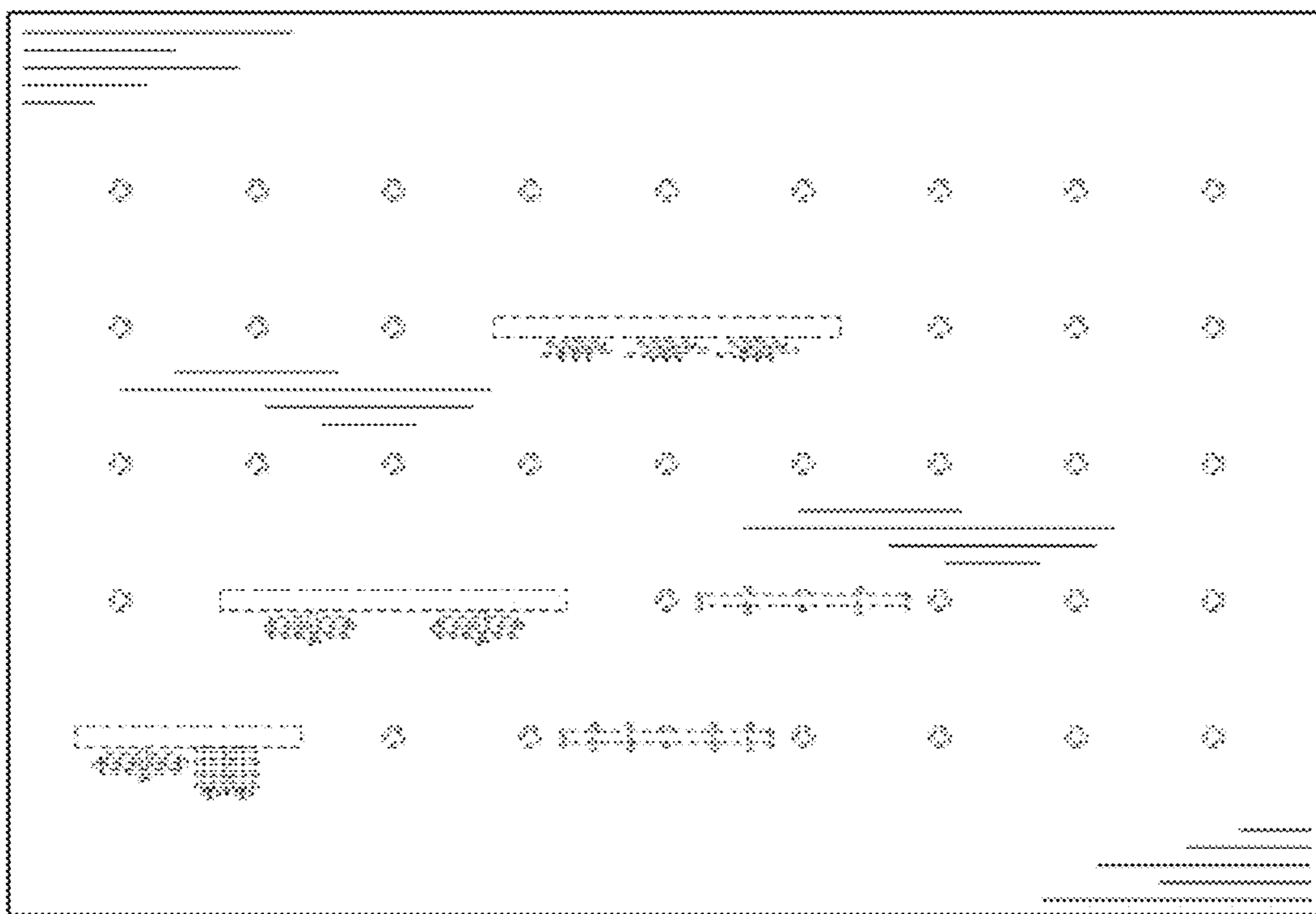


FIG. 6



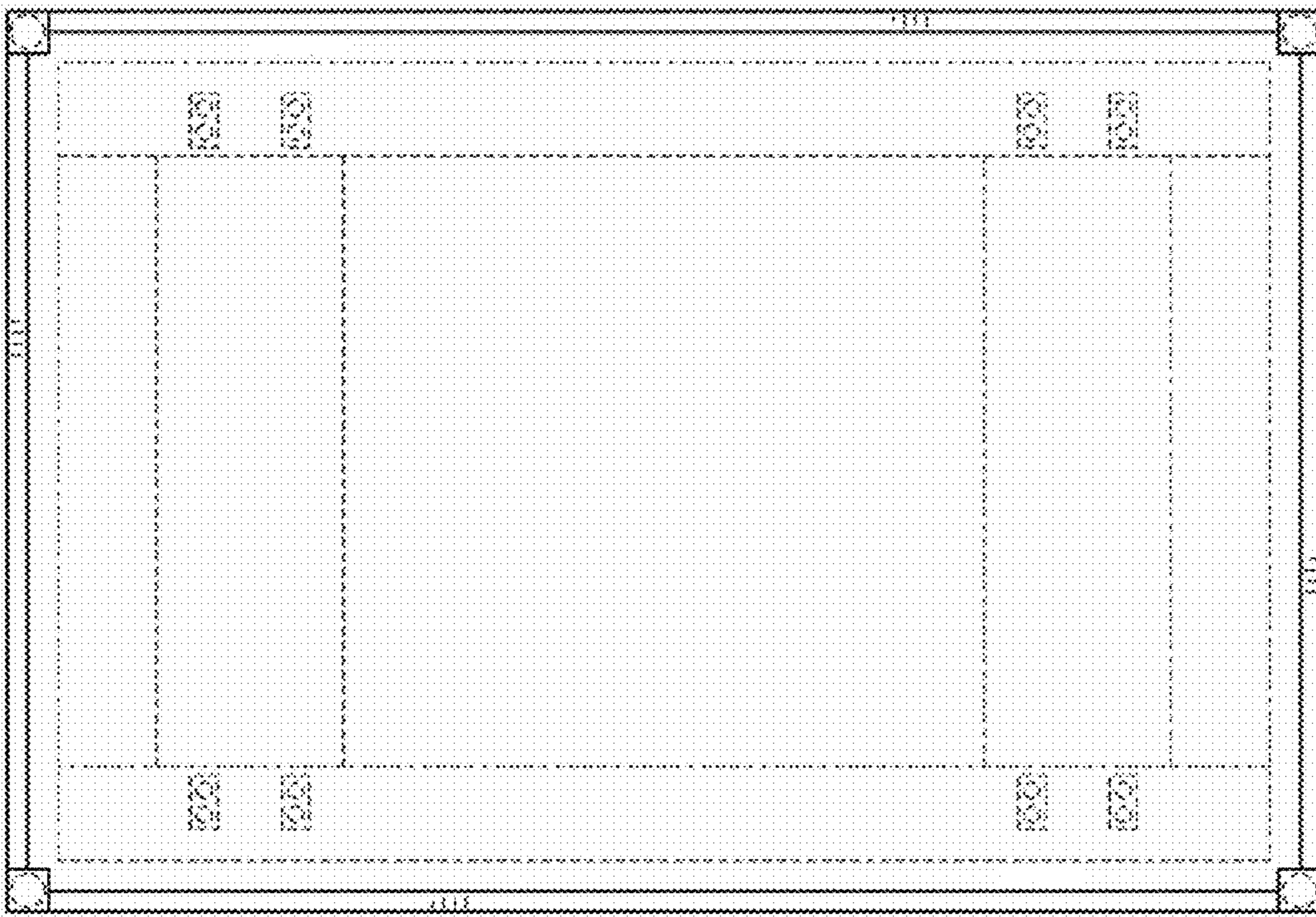


FIG. 7