



US00D654716S

(12) **United States Design Patent**  
**Lee**

(10) **Patent No.:** **US D654,716 S**  
(45) **Date of Patent:** **\*\* Feb. 28, 2012**

(54) **CHAIR**

(75) Inventor: **Jong-Moo Lee**, Seoul (KR)

(73) Assignee: **Sidiz, Inc.**, Gyeonggi-Do (KR)

(\*\*) Term: **14 Years**

(21) Appl. No.: **29/363,765**

(22) Filed: **Jun. 14, 2010**

(30) **Foreign Application Priority Data**

Mar. 16, 2010 (KR) ..... 30-2010-0011434

(51) **LOC (9) Cl.** ..... **06-01**

(52) **U.S. Cl.** ..... **D6/373**

(58) **Field of Classification Search** ..... D6/334-336,  
D6/371, 372, 373, 374, 375, 376, 379, 380,  
D6/500-502; 297/445.1, 446.1, 448.1, 448.2,  
297/451.3, 452.12, 452.14, 452.19, 452.29  
See application file for complete search history.

(56) **References Cited**

**U.S. PATENT DOCUMENTS**

D279,055 S \* 6/1985 Pollock ..... D6/373  
D333,044 S \* 2/1993 Caruso ..... D6/373  
D351,510 S \* 10/1994 Lucci et al. .... D6/372

D355,080 S \* 2/1995 Lucci et al. .... D6/372  
D382,415 S \* 8/1997 Leib ..... D6/373  
D414,618 S \* 10/1999 Holbrook ..... D6/373  
D464,208 S \* 10/2002 Kwon ..... D6/373  
D518,304 S \* 4/2006 Crescenti ..... D6/373  
D549,478 S \* 8/2007 Shields ..... D6/372  
7,806,473 B1 \* 10/2010 Faiks ..... 297/452.12

\* cited by examiner

*Primary Examiner* — Mimoso De

(74) *Attorney, Agent, or Firm* — Alleman Hall McCoy  
Russell & Tuttle LLP

(57) **CLAIM**

The ornamental design for a chair, as shown and described.

**DESCRIPTION**

FIG. 1 is a front view of a chair according to the present invention.

FIG. 2 is a rear view of the chair of FIG. 1.

FIG. 3 is a left side view of the chair of FIG. 1.

FIG. 4 is a right side view of the chair of FIG. 1.

FIG. 5 is a top view of the chair of FIG. 1.

FIG. 6 is a bottom view of the chair of FIG. 1.

FIG. 7 is a top right perspective view of the chair of FIG. 1; and,

FIG. 8 is a bottom left perspective view of the chair of FIG. 1. In the drawings, the broken lines depicting seat, arm and base components of a chair form no part of the claimed ornamental design.

**1 Claim, 4 Drawing Sheets**

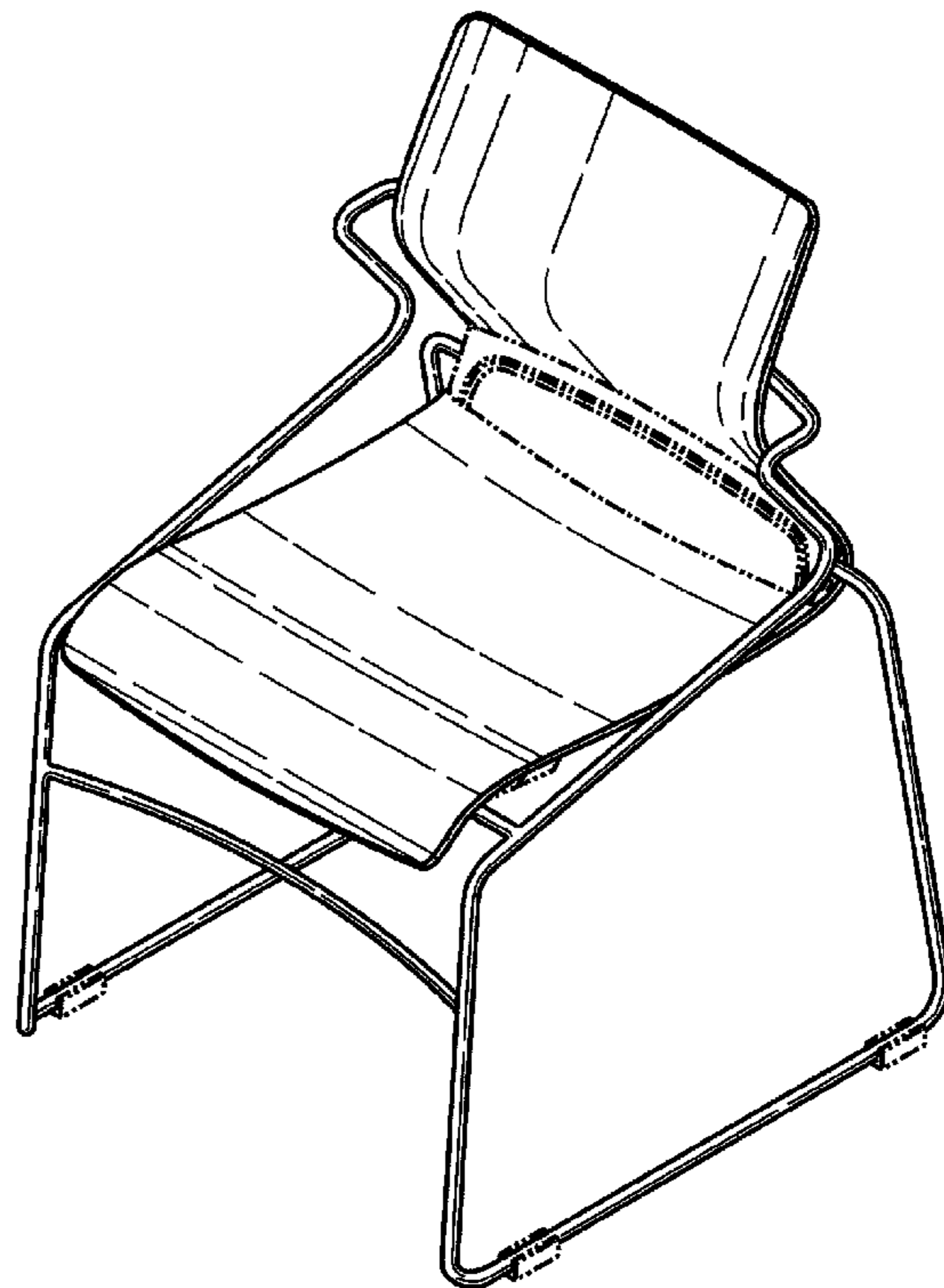
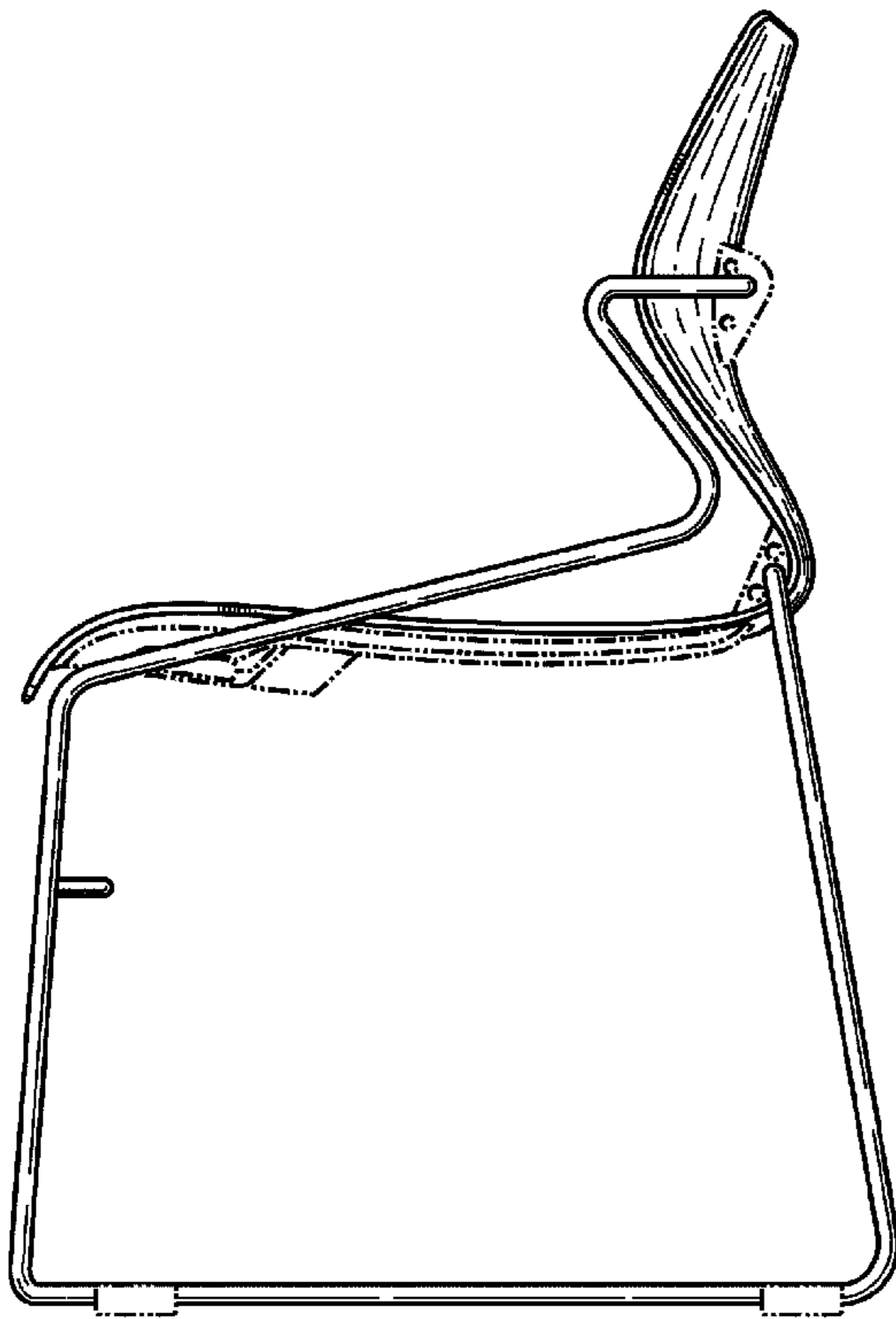


Fig. 2

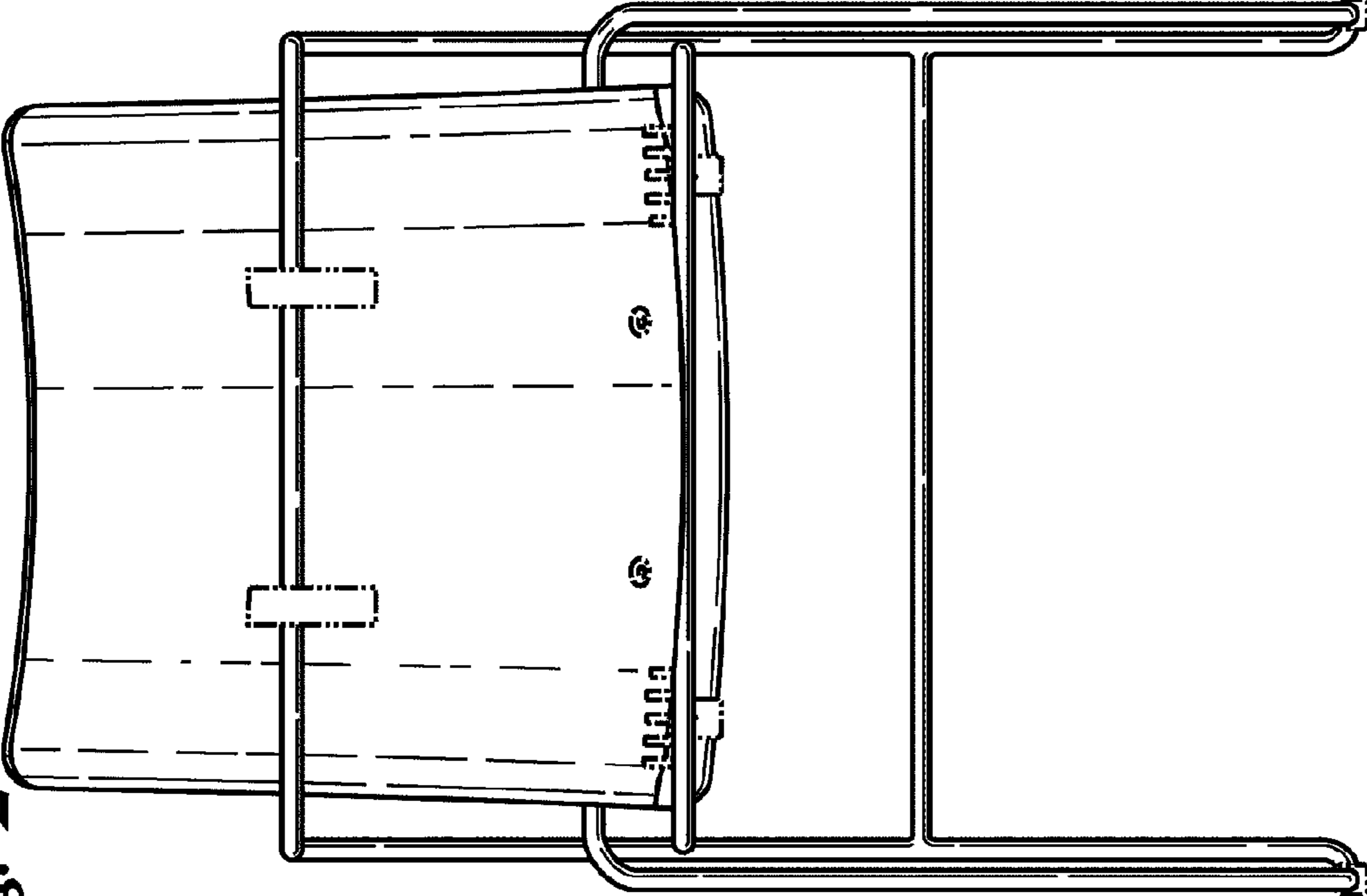


Fig. 1

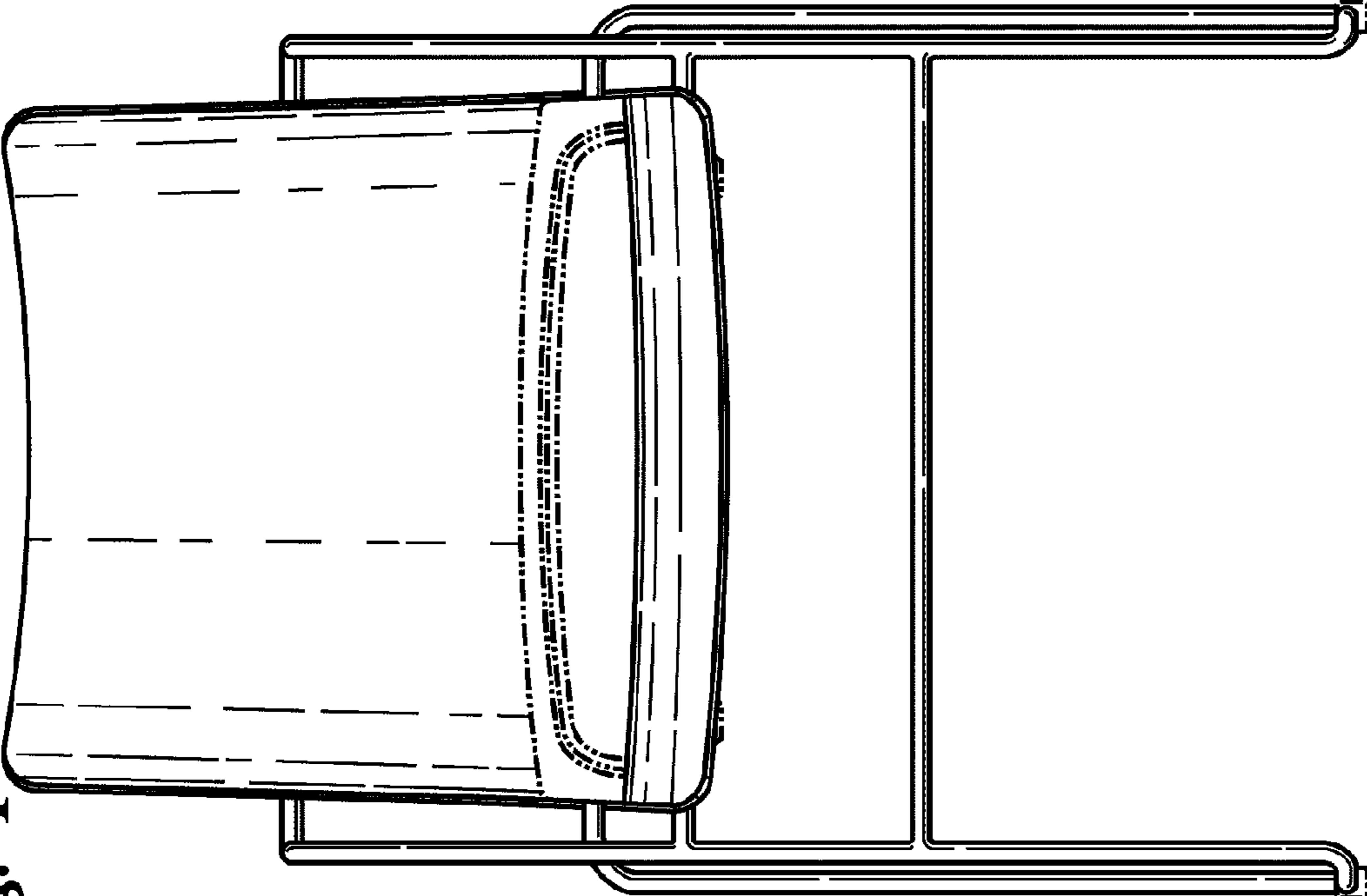


Fig. 4

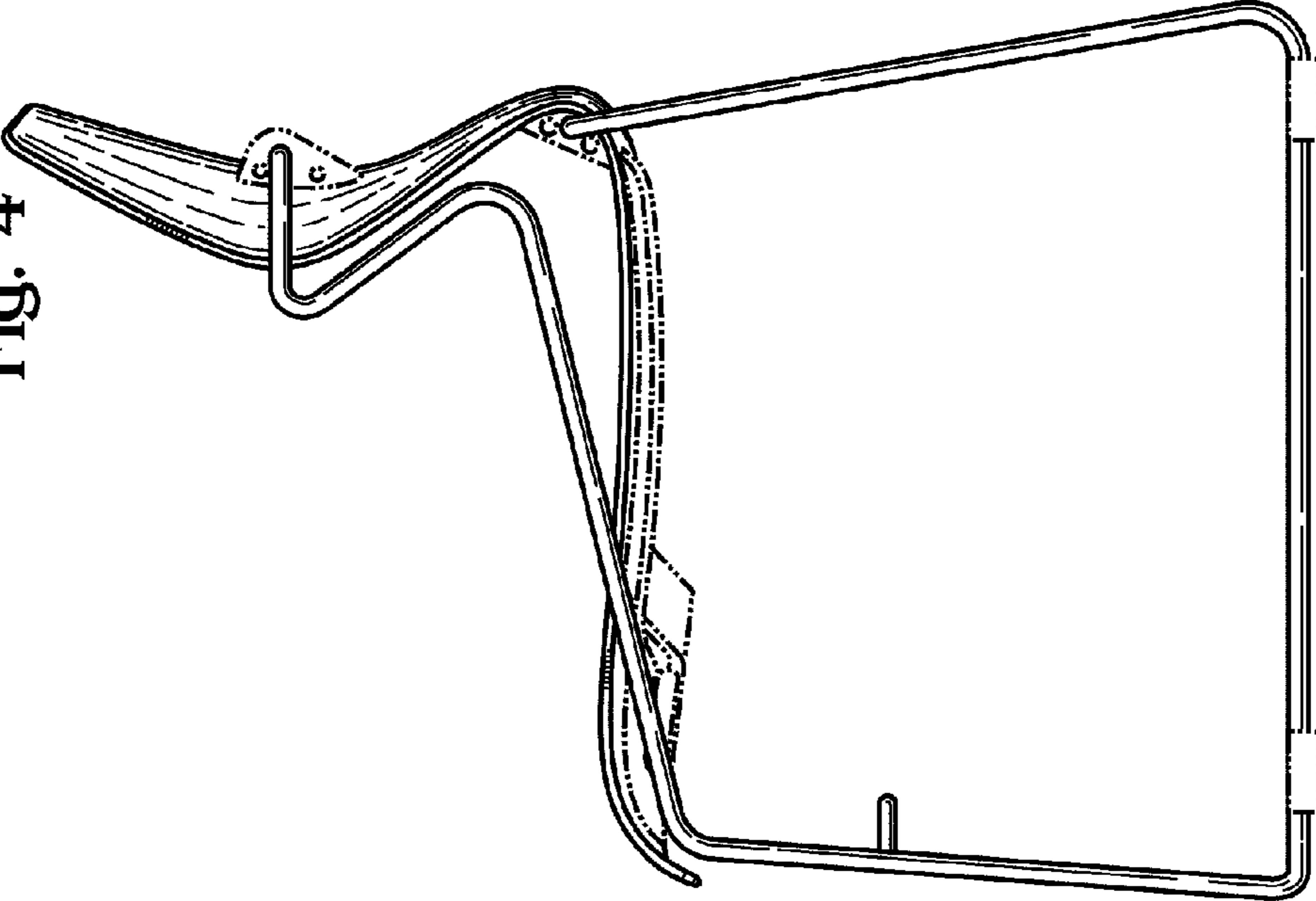


Fig. 3

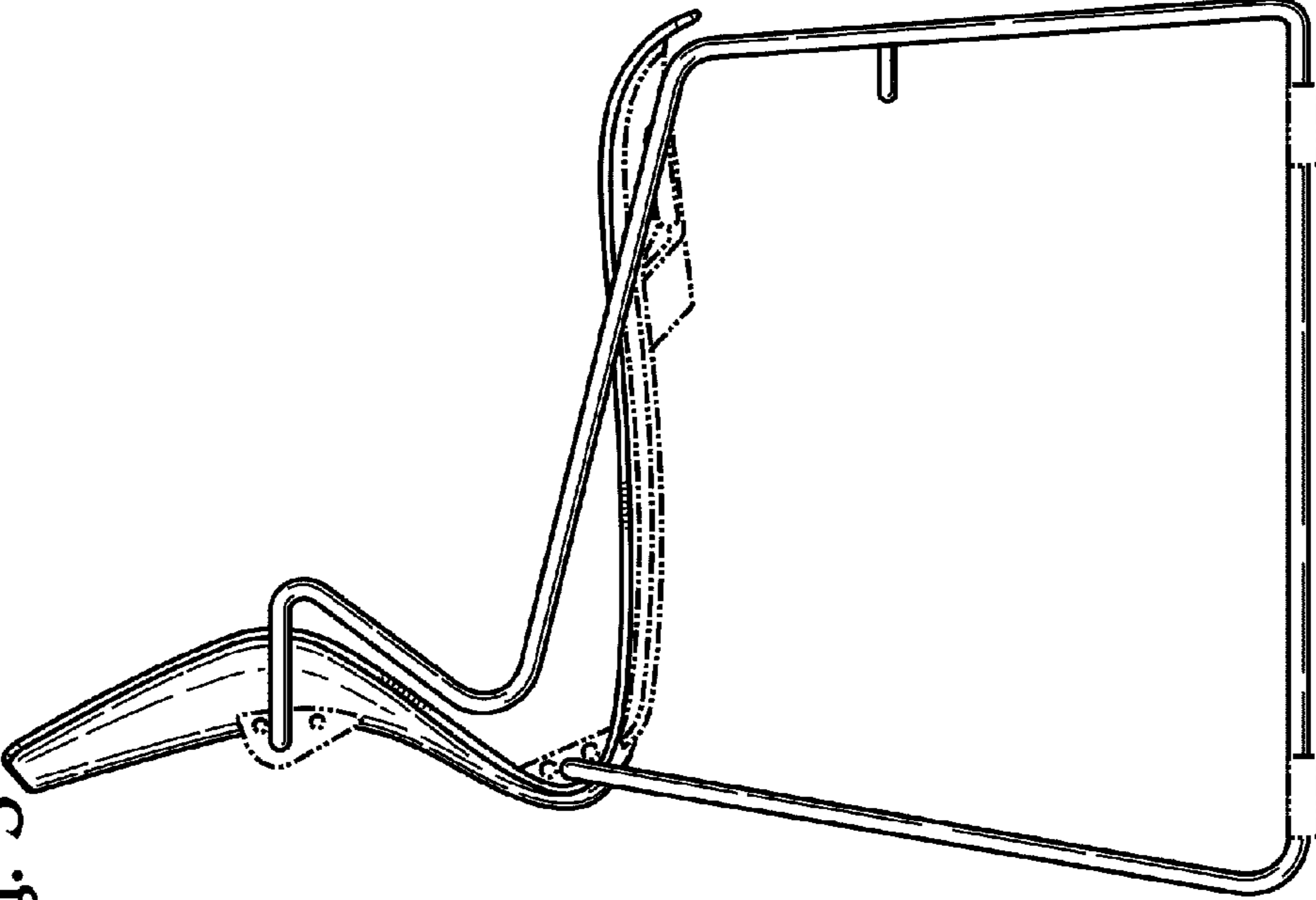


Fig. 6

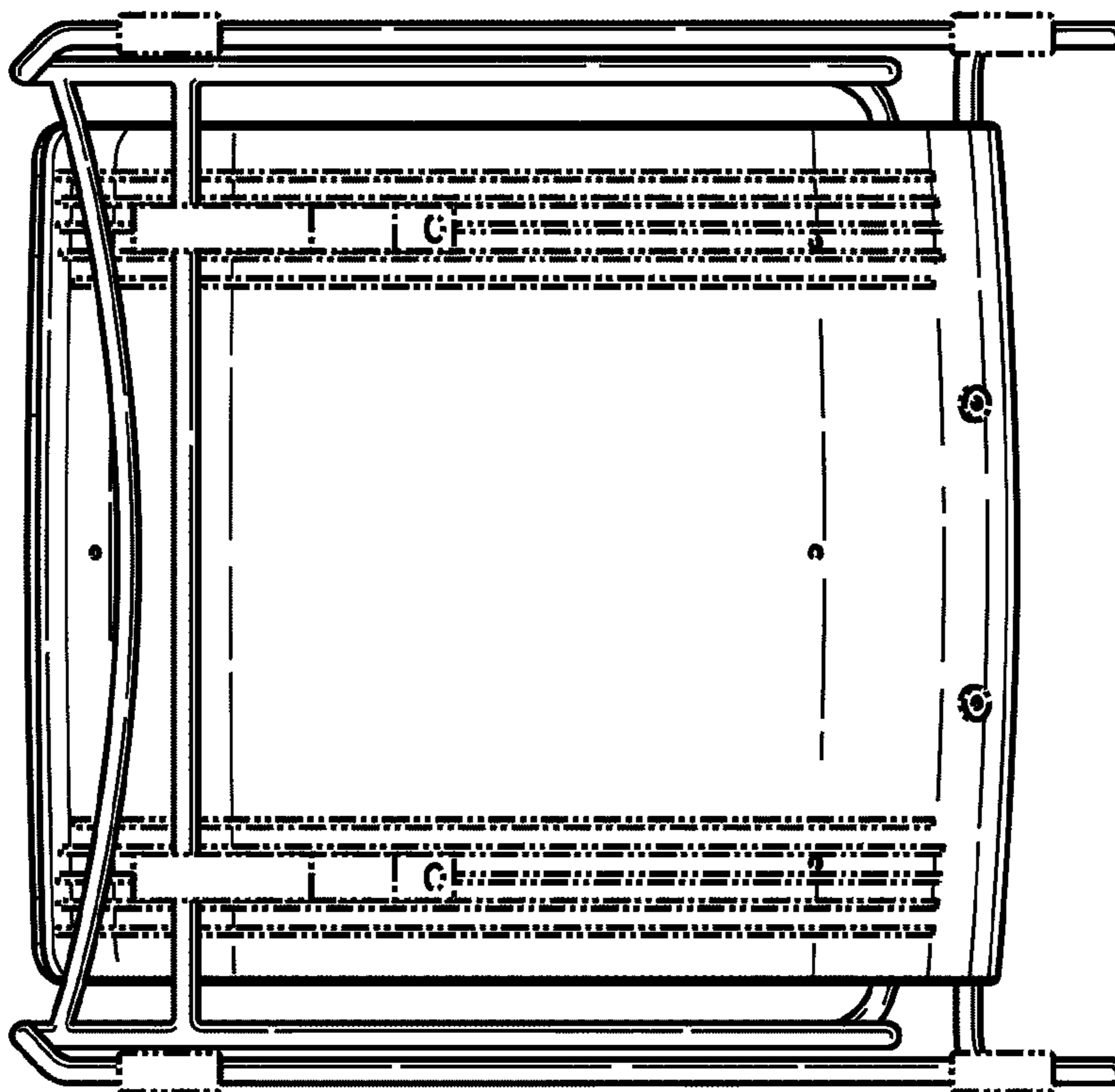
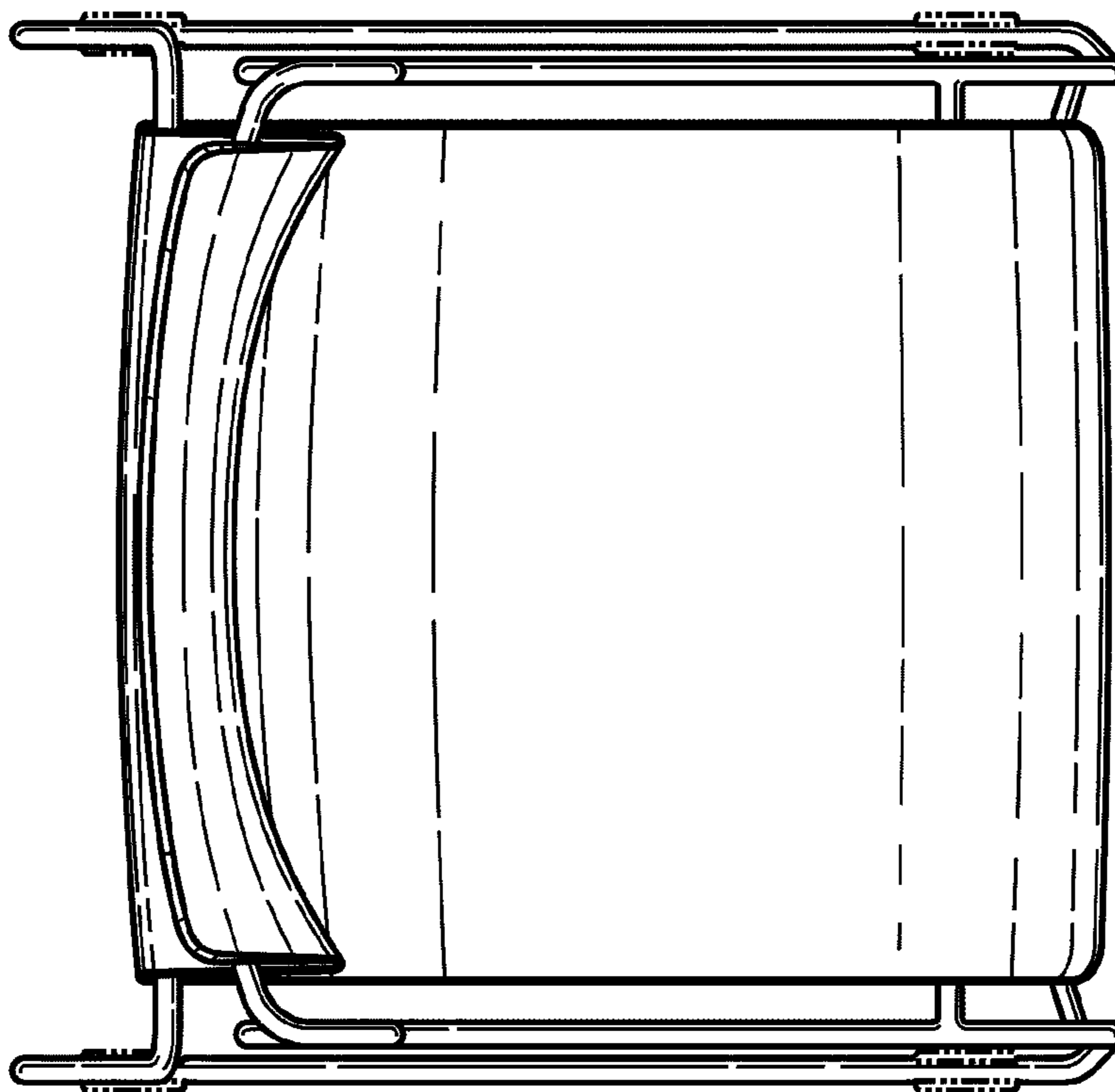


Fig. 5



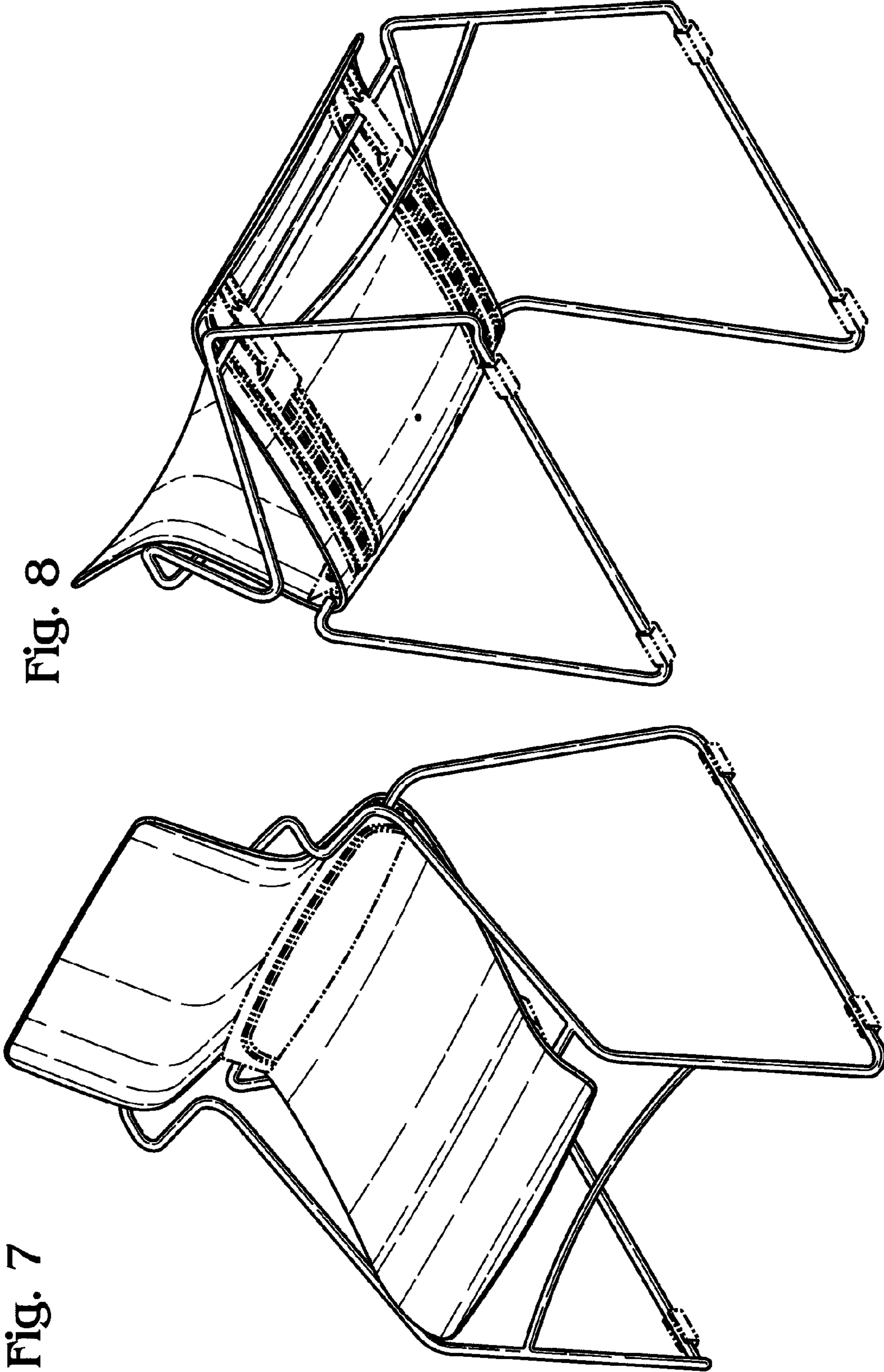


Fig. 8

Fig. 7