



US00D654714S

(12) **United States Design Patent**
Tseng

(10) **Patent No.:** **US D654,714 S**

(45) **Date of Patent:** **** Feb. 28, 2012**

(54) **CHAIR**

(75) Inventor: **Chuen-Jong Tseng**, Chiayi Hsien (TW)

(73) Assignee: **Taiwan Shin Yeh Enterprises Co., Ltd.**,
Chiayi Hsien (TW)

(**) Term: **14 Years**

(21) Appl. No.: **29/379,161**

(22) Filed: **Nov. 16, 2010**

(51) **LOC (9) Cl.** **06-01**

(52) **U.S. Cl.** **D6/368**

(58) **Field of Classification Search** D6/334-336,
D6/368, 371-373, 374, 375, 379, 500-502;
297/16.1, 18, 27, 31, 35, 39, 40, 45, 59, 394,
297/452.13, 440.24

See application file for complete search history.

(56) **References Cited**

U.S. PATENT DOCUMENTS

D220,908 S * 6/1971 Smith D6/368
4,514,009 A * 4/1985 Vanderminden et al. 297/27

D360,082 S * 7/1995 Tseng D6/368
D412,251 S * 7/1999 Tseng D6/368
D412,407 S * 8/1999 Tseng D6/368
D531,832 S * 11/2006 Andersson D6/368
D571,115 S * 6/2008 Cohen D6/368

* cited by examiner

Primary Examiner — Mimosa De

(74) *Attorney, Agent, or Firm* — Trop, Pruner & Hu, P.C.

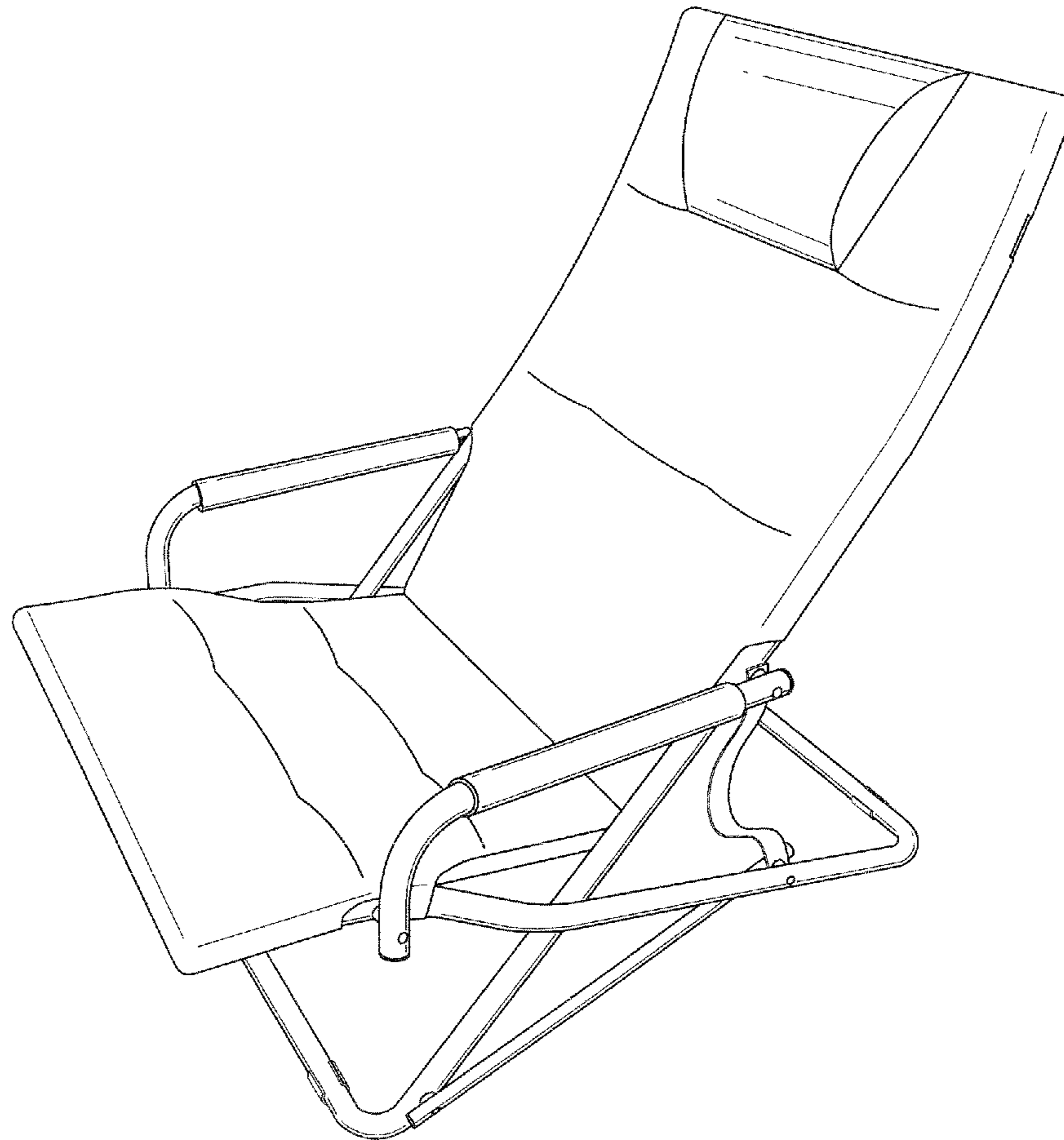
(57) **CLAIM**

The ornamental design for chair, as shown and described.

DESCRIPTION

FIG. 1 is a perspective view of chair showing my new design;
FIG. 2 is a front elevational view thereof;
FIG. 3 is a rear elevational view thereof;
FIG. 4 is a left side elevational view thereof;
FIG. 5 is a right side elevational view thereof;
FIG. 6 is a top plan view thereof; and,
FIG. 7 is a bottom plan view thereof.
The short even dashed lines shown in FIGS. 2, 3, and 7 are
understood to represent stitching.

1 Claim, 5 Drawing Sheets



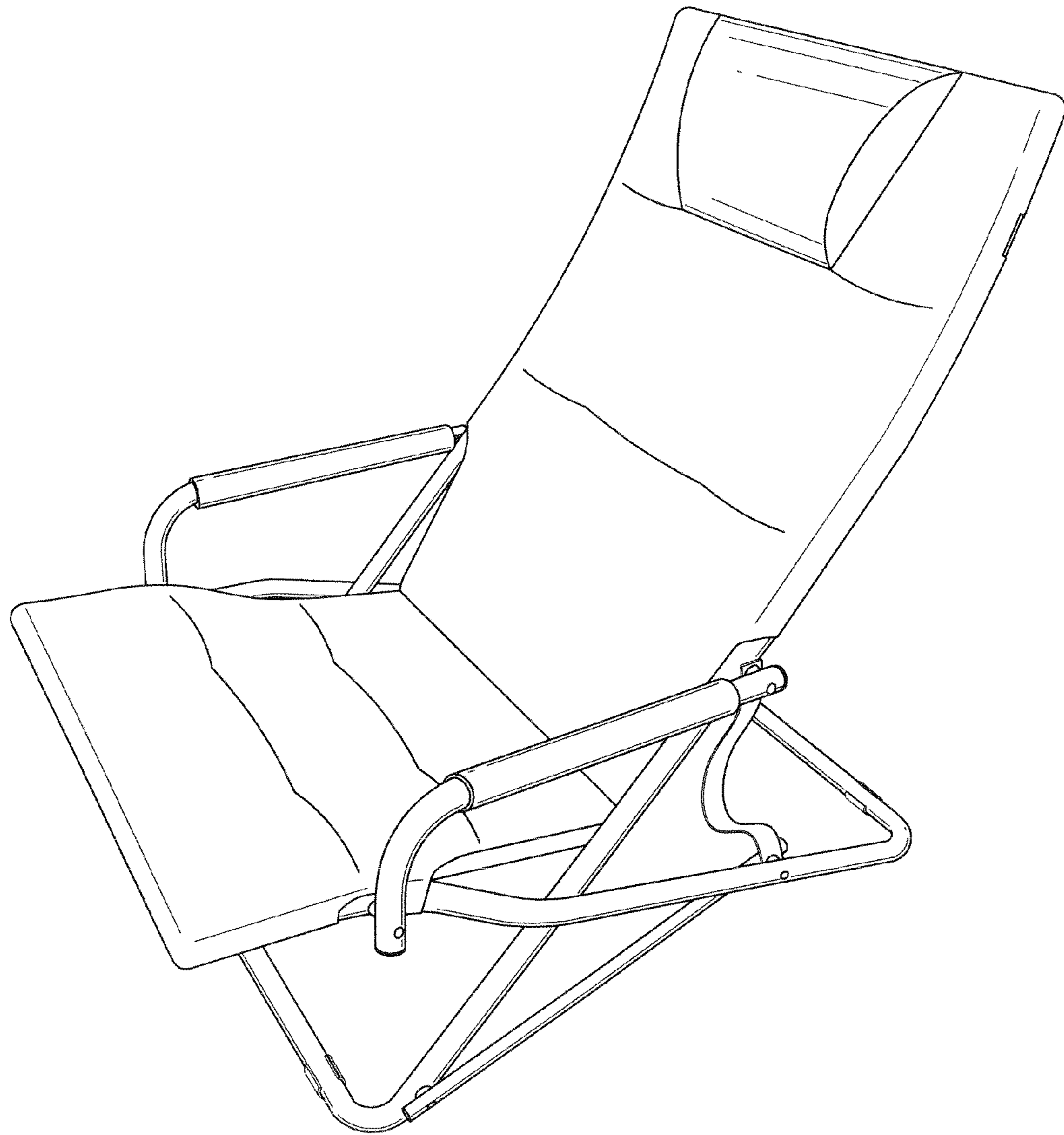


FIG. 1

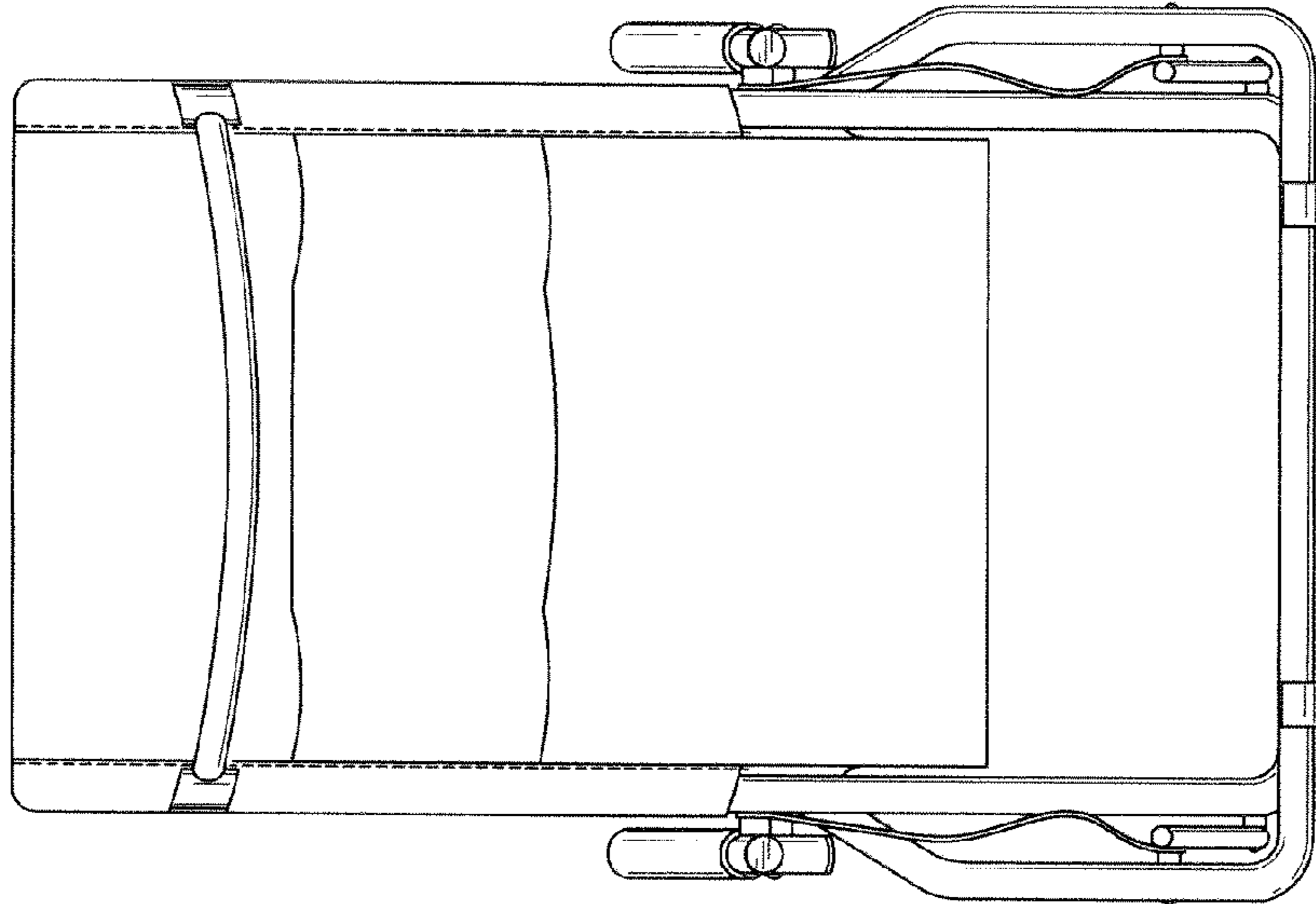


FIG. 2

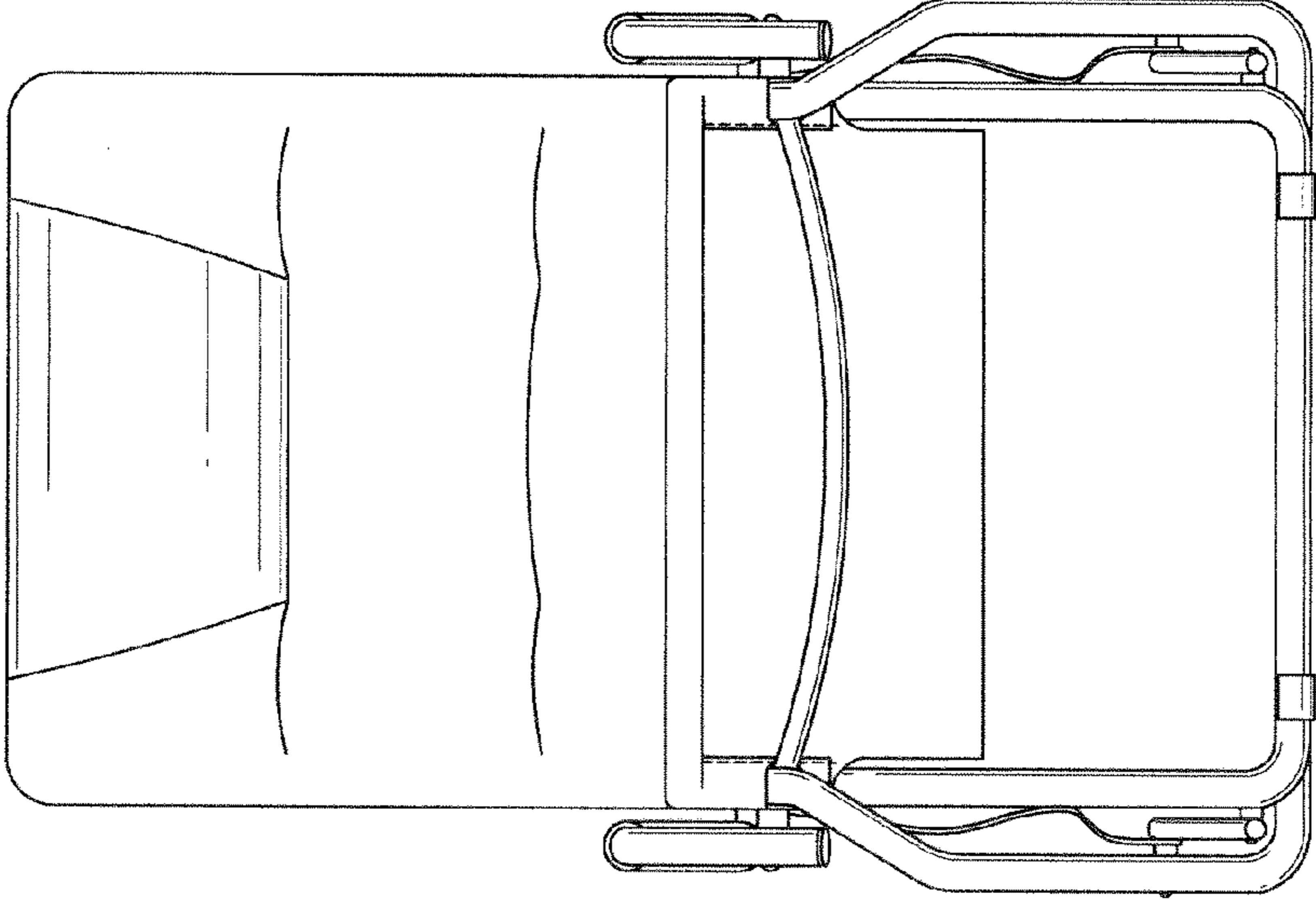


FIG. 3

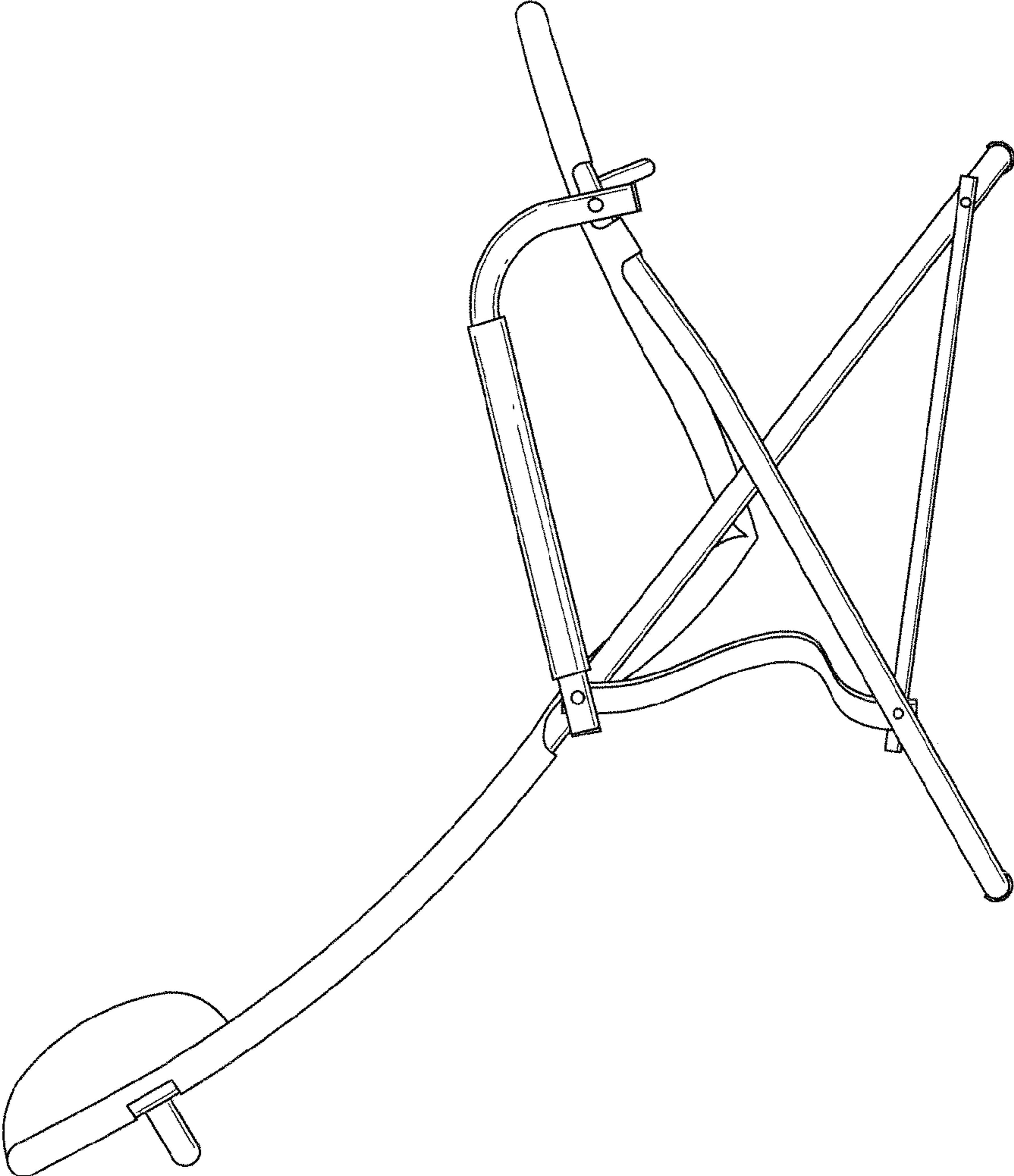


FIG. 4

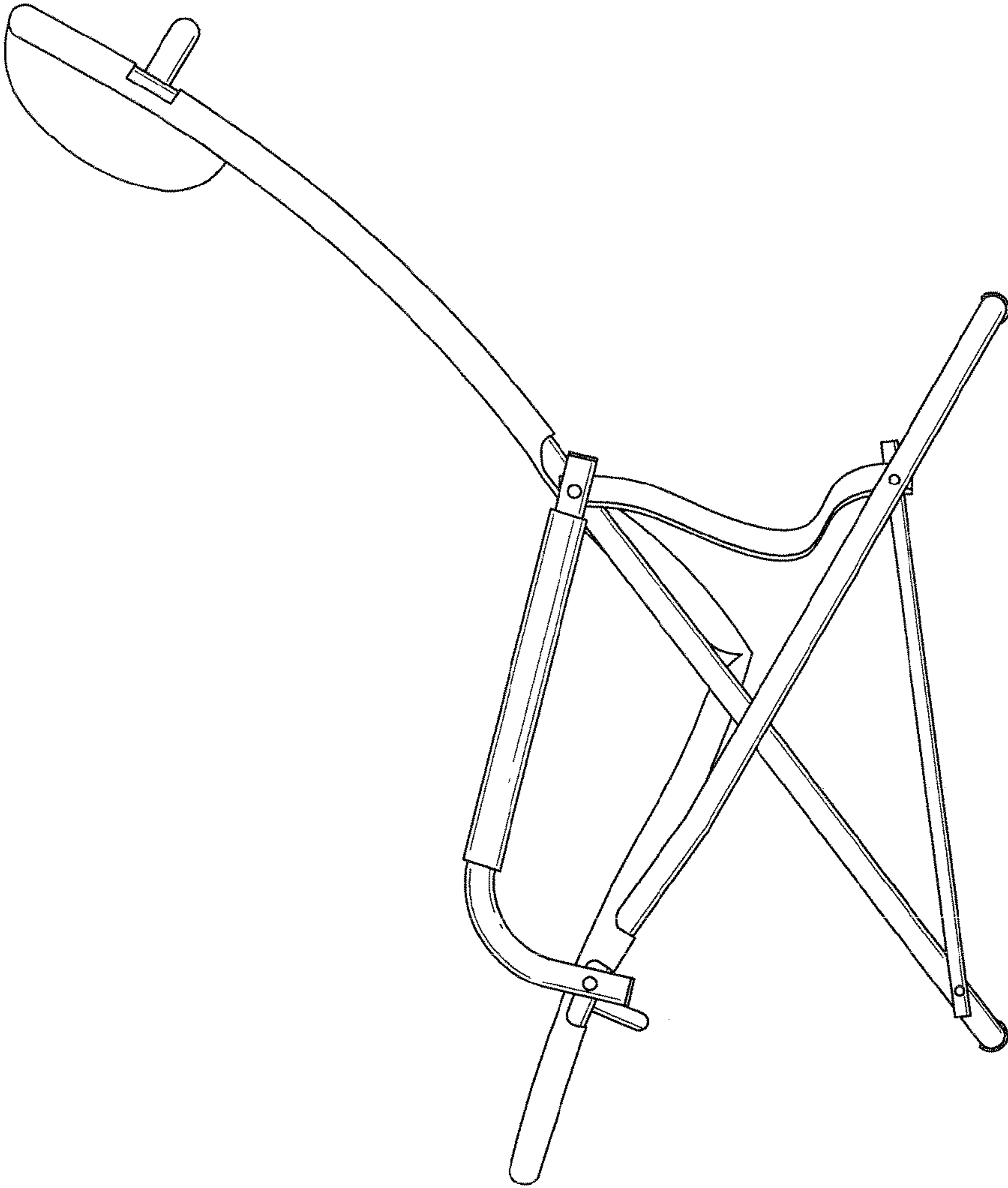


FIG. 5

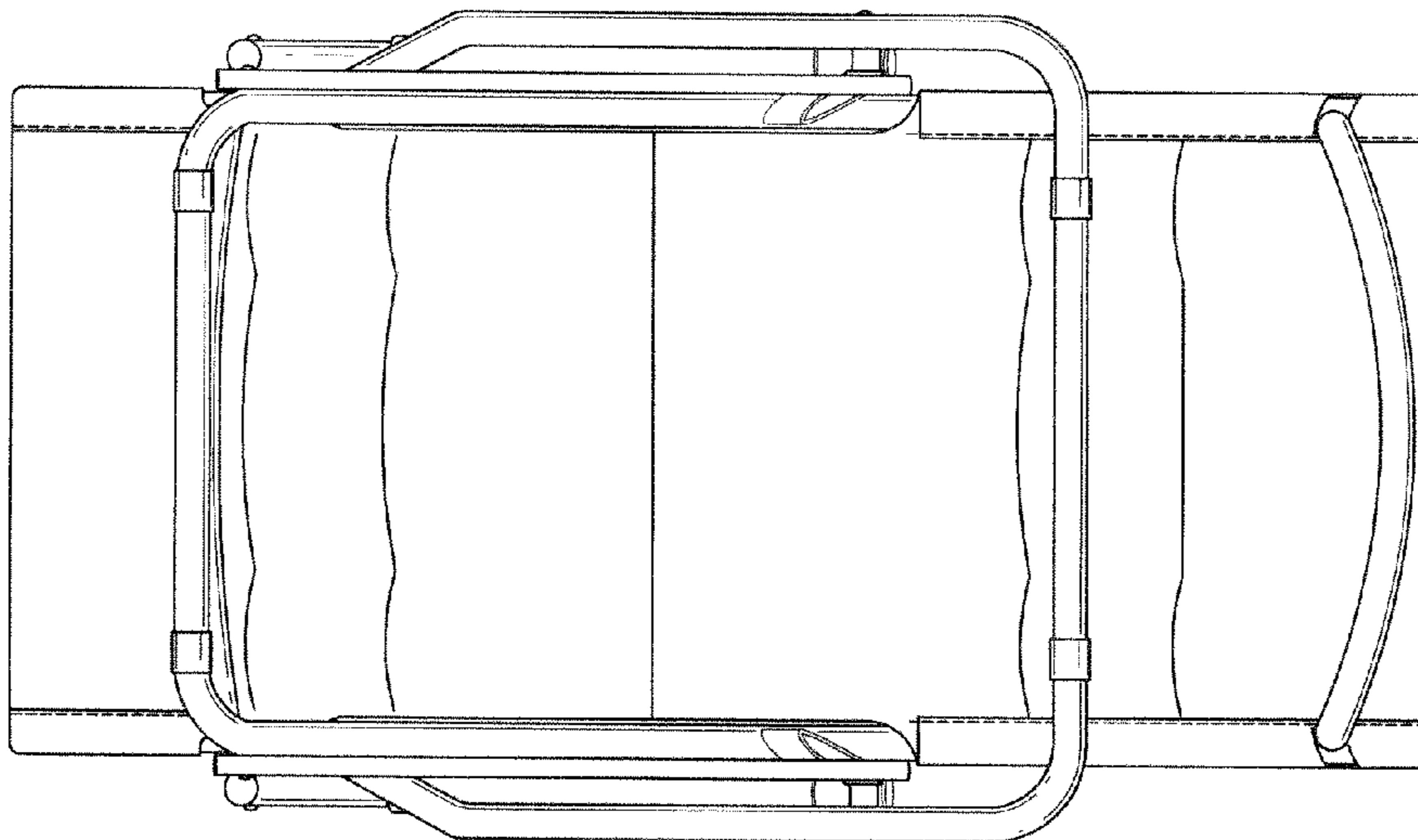


FIG. 7

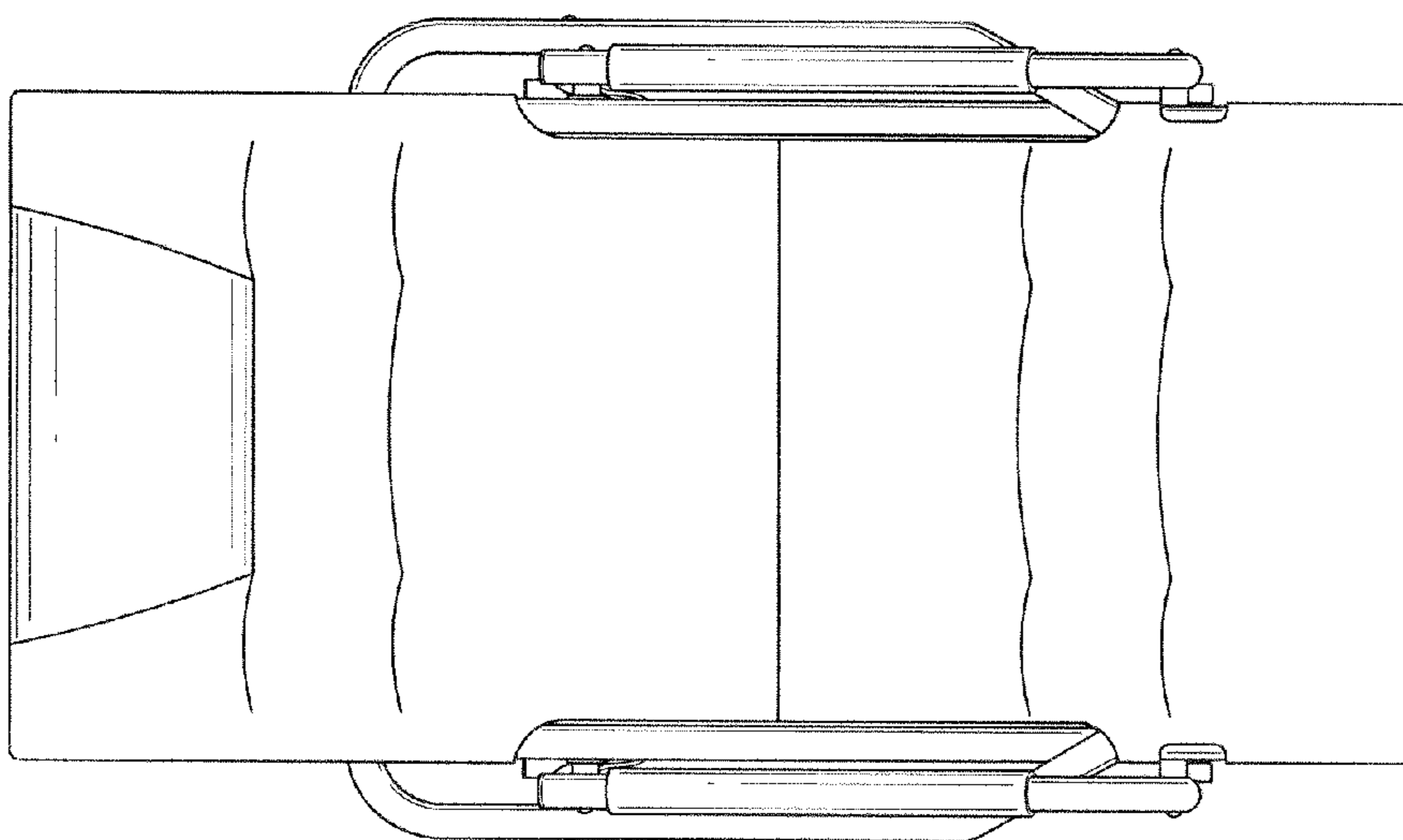


FIG. 6