

US00D654709S

(12) **United States Design Patent**
Fujita

(10) **Patent No.:** **US D654,709 S**
(45) **Date of Patent:** **** Feb. 28, 2012**

(54) **CHAIR**

(75) Inventor: **Hisato Fujita**, Kanagawa (JP)

(73) Assignee: **Okamura Corporation**, Kanagawa (JP)

(**) Term: **14 Years**

(21) Appl. No.: **29/334,943**

(22) Filed: **Apr. 6, 2009**

(30) **Foreign Application Priority Data**

Oct. 9, 2008 (JP) 2008-25948

(51) **LOC (9) Cl.** **06-01**

(52) **U.S. Cl.** **D6/366**

(58) **Field of Classification Search** D6/334–336,
D6/346–367, 369, 379–380, 498, 500–502;
297/411.2, 411.27, 411.36, 452.13, 452.21,
297/452.29, 452.35, 452.3, 452.64

See application file for complete search history.

(56) **References Cited**

U.S. PATENT DOCUMENTS

D327,781 S *	7/1992	Citterio	D6/366
D407,911 S *	4/1999	Brauning	D6/366
6,027,169 A *	2/2000	Roslund, Jr.	297/337
D437,701 S *	2/2001	Bellini et al.	D6/366
D456,625 S *	5/2002	Frenkler et al.	D6/366
D467,443 S *	12/2002	Kwon	D6/366
D505,024 S *	5/2005	Bellin	D6/366
D509,968 S *	9/2005	Zimmermann et al.	D6/366
D534,364 S *	1/2007	Loew et al.	D6/366
D538,055 S *	3/2007	Kang	D6/366
D555,377 S *	11/2007	Pensi et al.	D6/366
D558,997 S *	1/2008	Igarashi	D6/366
D559,571 S *	1/2008	Meda	D6/366
D559,573 S *	1/2008	Igarashi	D6/366
D563,687 S *	3/2008	Neil	D6/366
D569,636 S *	5/2008	Wagner	D6/366
D571,569 S *	6/2008	Fancelli	D6/366
D576,809 S *	9/2008	Christianson et al.	D6/356
D576,814 S *	9/2008	Baldanzi et al.	D6/366
D579,682 S *	11/2008	Neil	D6/366

D582,170 S *	12/2008	Chi	D6/366
D593,345 S *	6/2009	Schweikarth et al.	D6/502
D597,331 S *	8/2009	Neil	D6/366
D607,653 S *	1/2010	Wilkinson et al.	D6/366
D607,672 S *	1/2010	Kubryk	D6/500
D610,822 S *	3/2010	Chen	D6/366
D618,927 S *	7/2010	Zhang	D6/366
D627,174 S *	11/2010	Romero	D6/366
D627,983 S *	11/2010	Wakasugi et al.	D6/366
D636,614 S *	4/2011	Sander et al.	D6/366
D638,635 S *	5/2011	Sander et al.	D6/366
D639,576 S *	6/2011	Breen	D6/366
D640,477 S *	6/2011	Neil	D6/366
D640,478 S *	6/2011	Neil	D6/366
D641,561 S *	7/2011	Tsai	D6/366
D641,983 S *	7/2011	Hazzard	D6/366
D641,998 S *	7/2011	Hazzard	D6/500
D643,641 S *	8/2011	Figuroa	D6/366
D643,642 S *	8/2011	Figuroa	D6/366
D644,862 S *	9/2011	Gaschy	D6/500
8,016,360 B2 *	9/2011	Machael et al.	297/411.37
D646,092 S *	10/2011	Romero	D6/502
D646,093 S *	10/2011	Collinson	D6/502

* cited by examiner

Primary Examiner — Elizabeth Albert

Assistant Examiner — Kelley Donnelly

(74) *Attorney, Agent, or Firm* — Sughrue Mion, PLLC

(57) **CLAIM**

The ornamental design for a chair, as shown and described.

DESCRIPTION

FIG. 1 is a perspective view from the front side of a chair.

FIG. 2 is a perspective view from the rear side thereof.

FIG. 3 is a front elevation view thereof.

FIG. 4 is a rear elevation view thereof.

FIG. 5 is a right side elevation view thereof.

FIG. 6 is a left side elevation view thereof.

FIG. 7 is a top plan view thereof; and,

FIG. 8 is a bottom plan view thereof.

The broken lines depict environmental subject matter only and form no part of the claimed design.

1 Claim, 8 Drawing Sheets

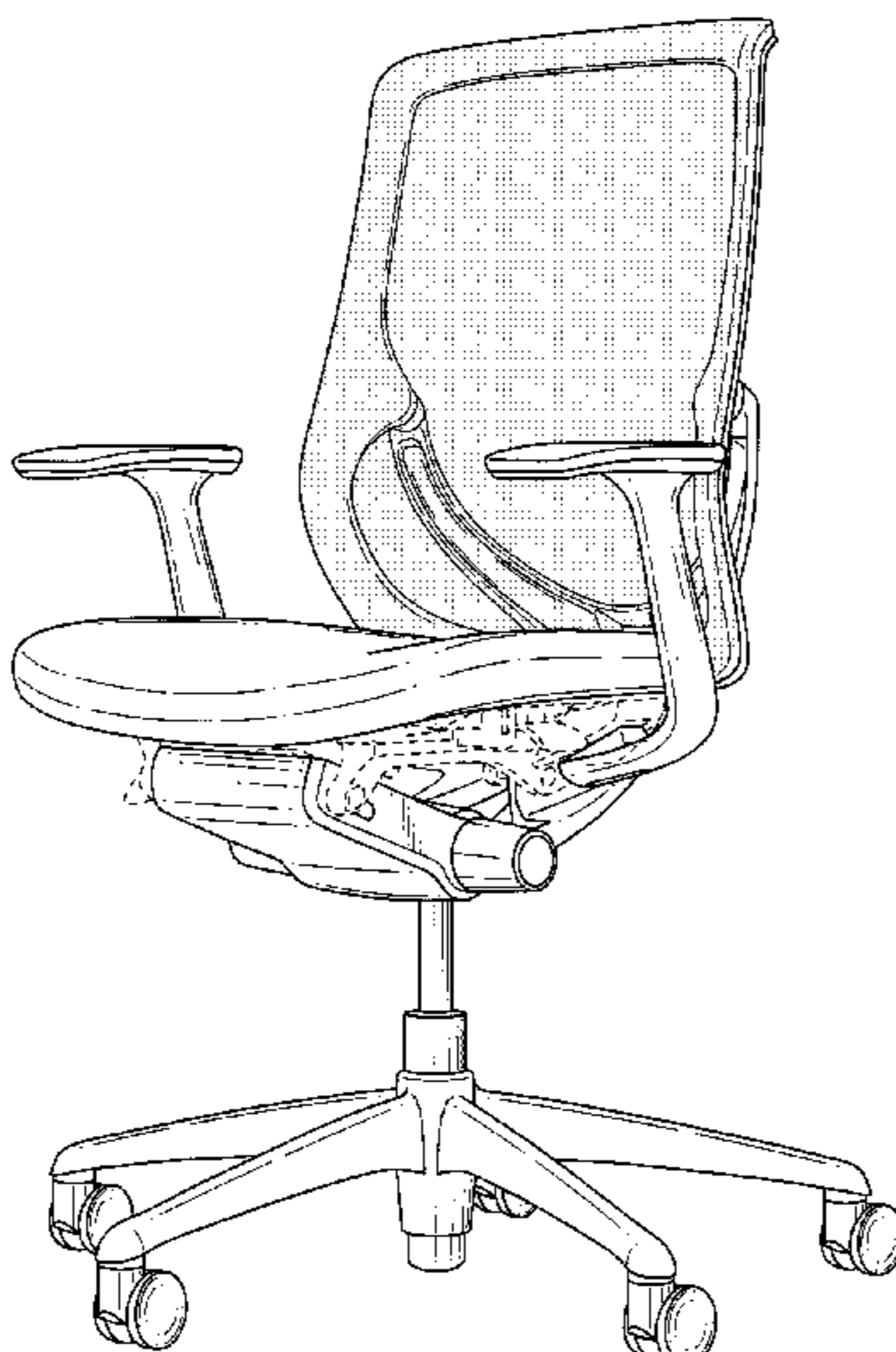


FIG. 1



FIG. 2



FIG. 3

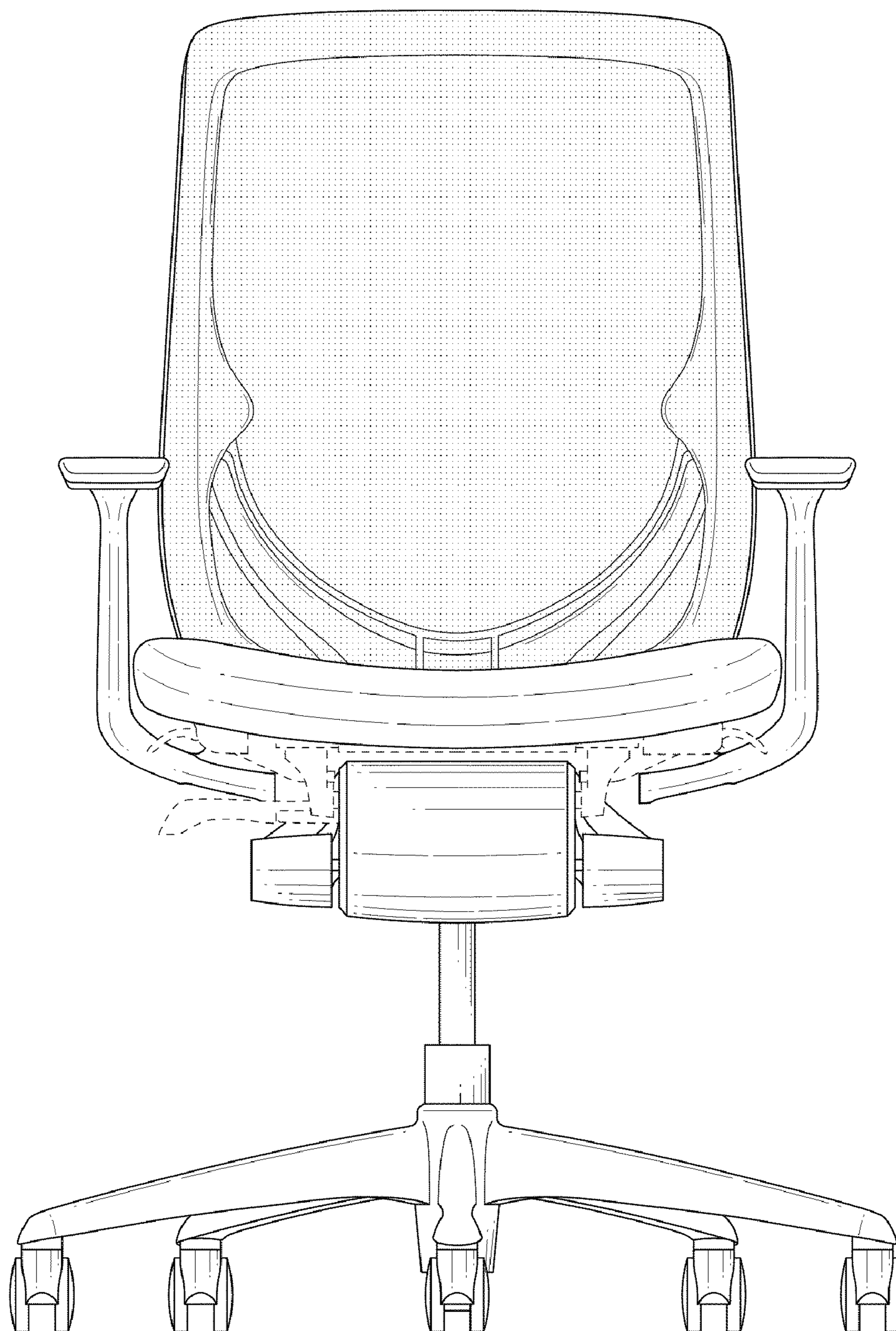


FIG. 4

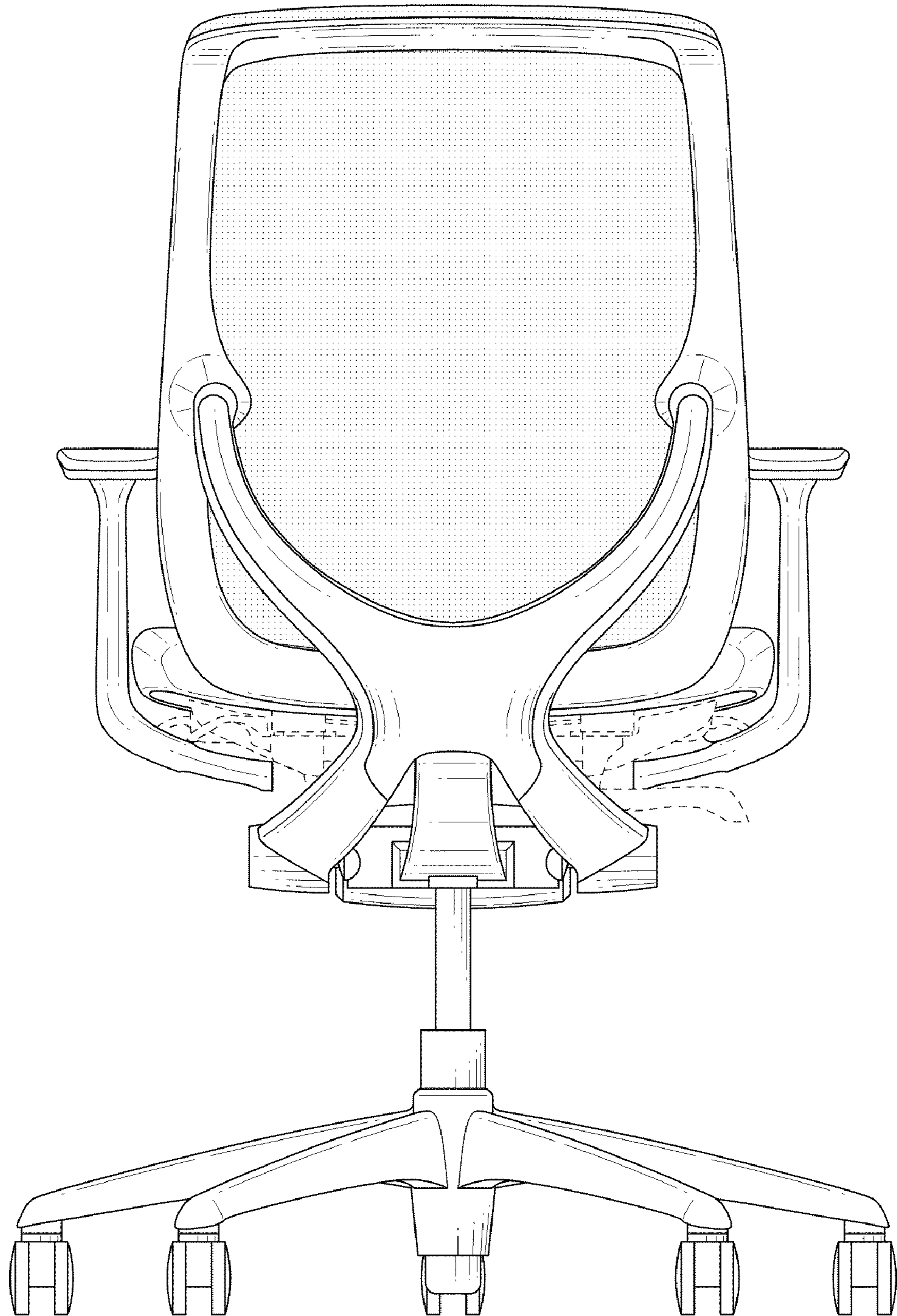


FIG. 5

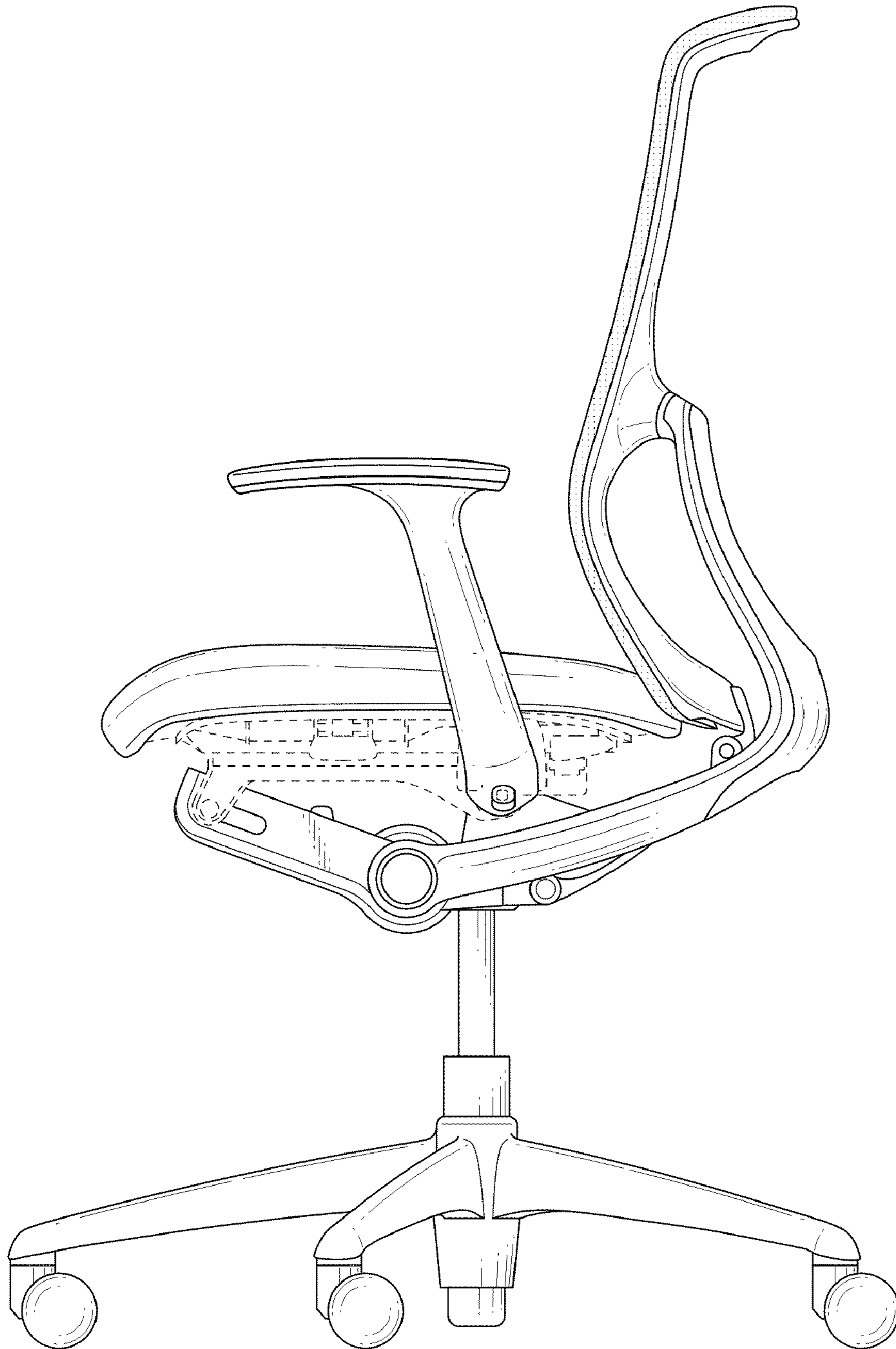


FIG. 6

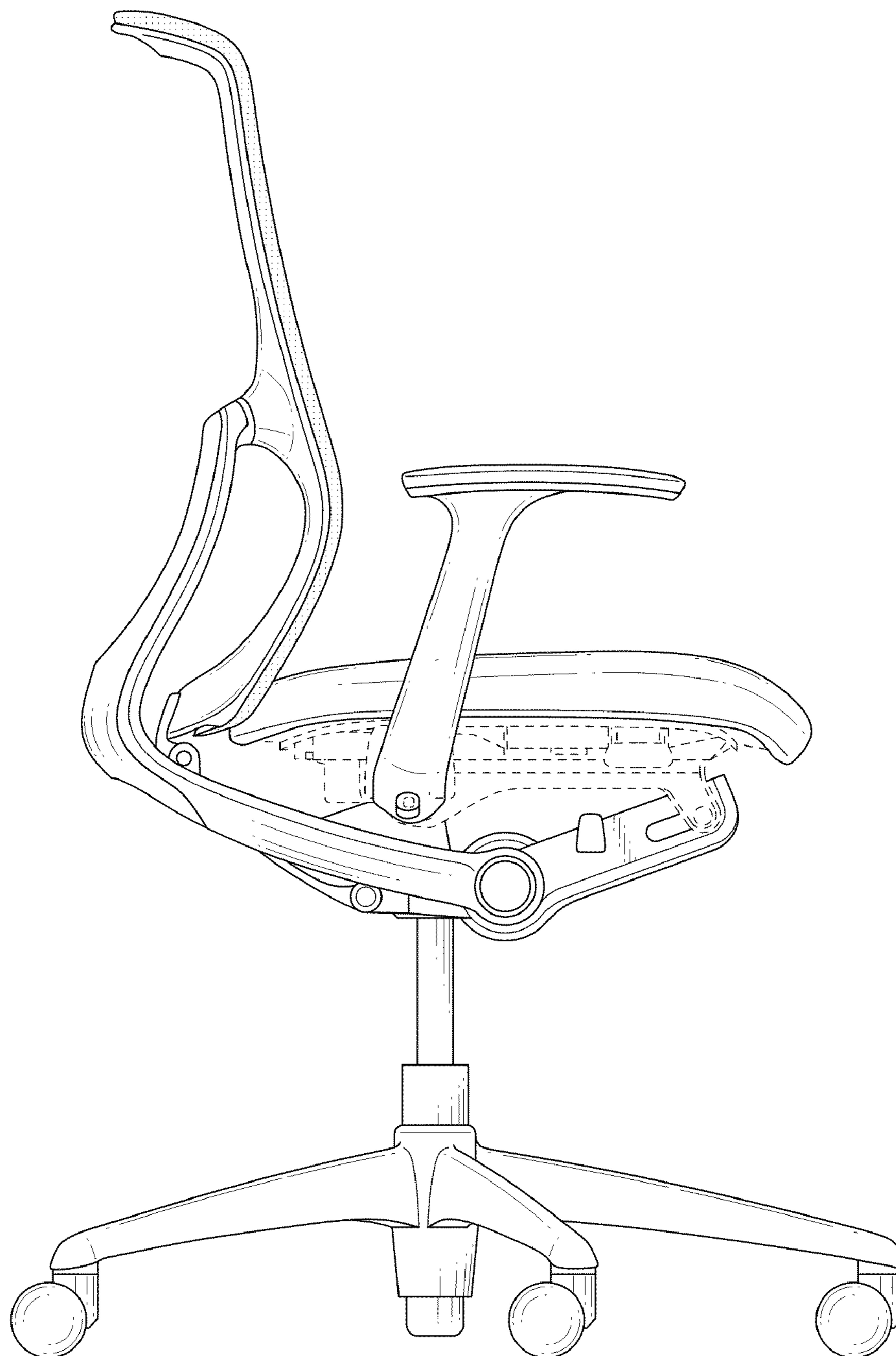


FIG. 7

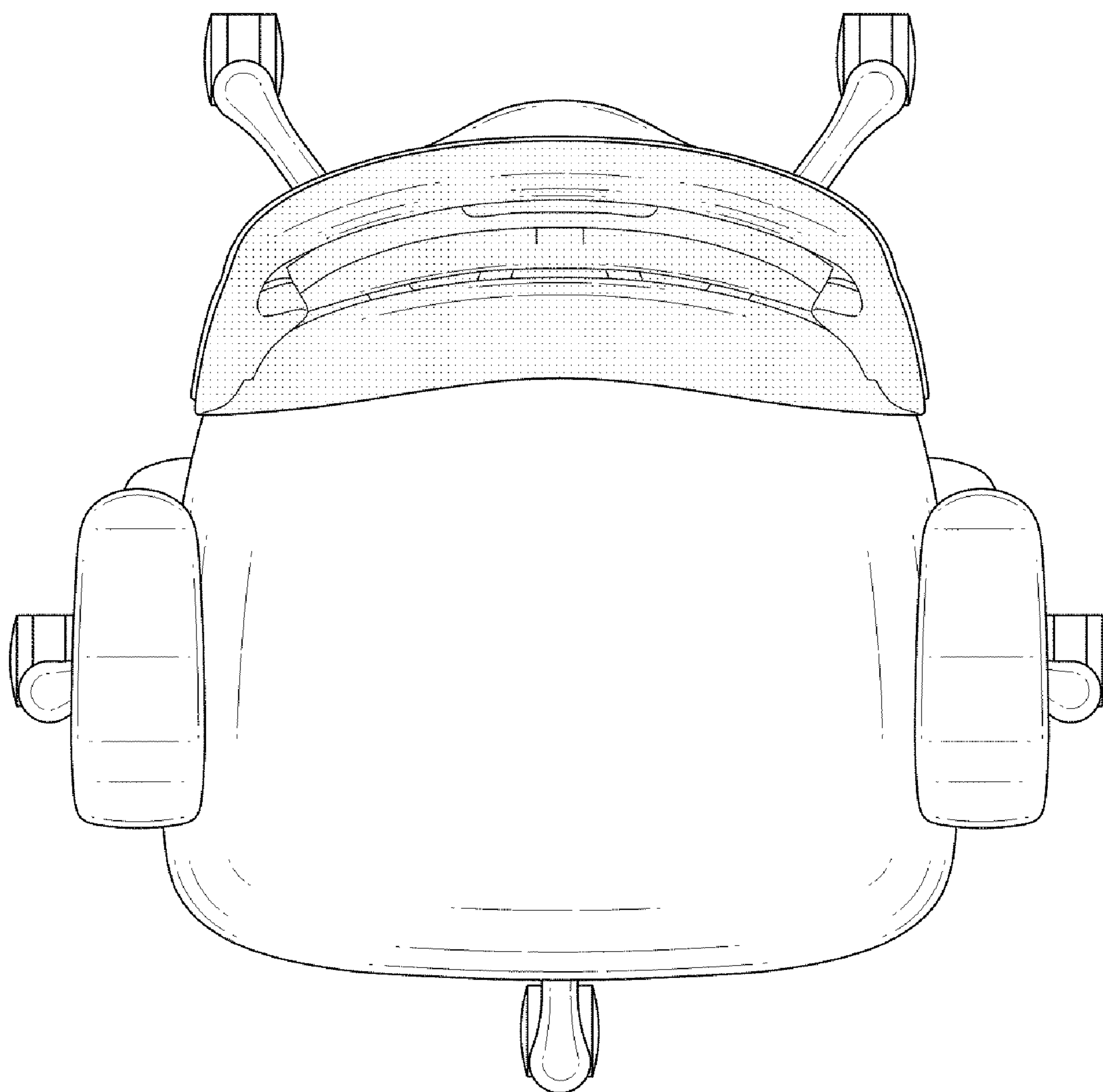


FIG. 8

