



US00D654708S

(12) **United States Design Patent**  
**Figueras Mitjans**

(10) **Patent No.:** **US D654,708 S**

(45) **Date of Patent:** **\*\* Feb. 28, 2012**

(54) **ARMCHAIR**

(75) Inventor: **Jose Figueras Mitjans**, Llica d'Amunt (ES)

(73) Assignee: **Figueras International Seating, S.L.**, Barcelona (ES)

(\*\*) Term: **14 Years**

(21) Appl. No.: **29/375,152**

(22) Filed: **Sep. 17, 2010**

(30) **Foreign Application Priority Data**

Mar. 18, 2010 (EM) ..... 001682840-0001  
Mar. 18, 2010 (EM) ..... 001682840-0003  
Mar. 18, 2010 (EM) ..... 011682840-0002

(51) **LOC (9) Cl.** ..... **06-01**

(52) **U.S. Cl.** ..... **D6/336**

(58) **Field of Classification Search** ..... D6/334,  
D6/335, 337, 349, 353, 380, 381, 500-502,  
D6/336; 5/12.1, 12.2; 297/14, 43, 44, 118,  
297/140, 245, 300.1, 311, 353, 354.1, 445.1,  
297/446.1, 446.2, 447.4, 465, 900, DIG. 2,  
297/DIG. 7

See application file for complete search history.

(56) **References Cited**

**U.S. PATENT DOCUMENTS**

D485,687 S \* 1/2004 Natuzzi ..... D6/334  
D489,908 S \* 5/2004 Ricci ..... D6/334  
D540,063 S \* 4/2007 Natuzzi ..... D6/381  
D541,064 S \* 4/2007 Miller et al. .... D6/367  
D550,972 S \* 9/2007 Caywood ..... D6/334

D551,869 S \* 10/2007 Zambelli ..... D6/367  
D576,805 S \* 9/2008 Natuzzi ..... D6/334  
D578,317 S \* 10/2008 Natuzzi ..... D6/381  
D600,032 S \* 9/2009 Natuzzi ..... D6/364

\* cited by examiner

*Primary Examiner* — Sandra Snapp

(74) *Attorney, Agent, or Firm* — Lucas & Mercanti, LLP

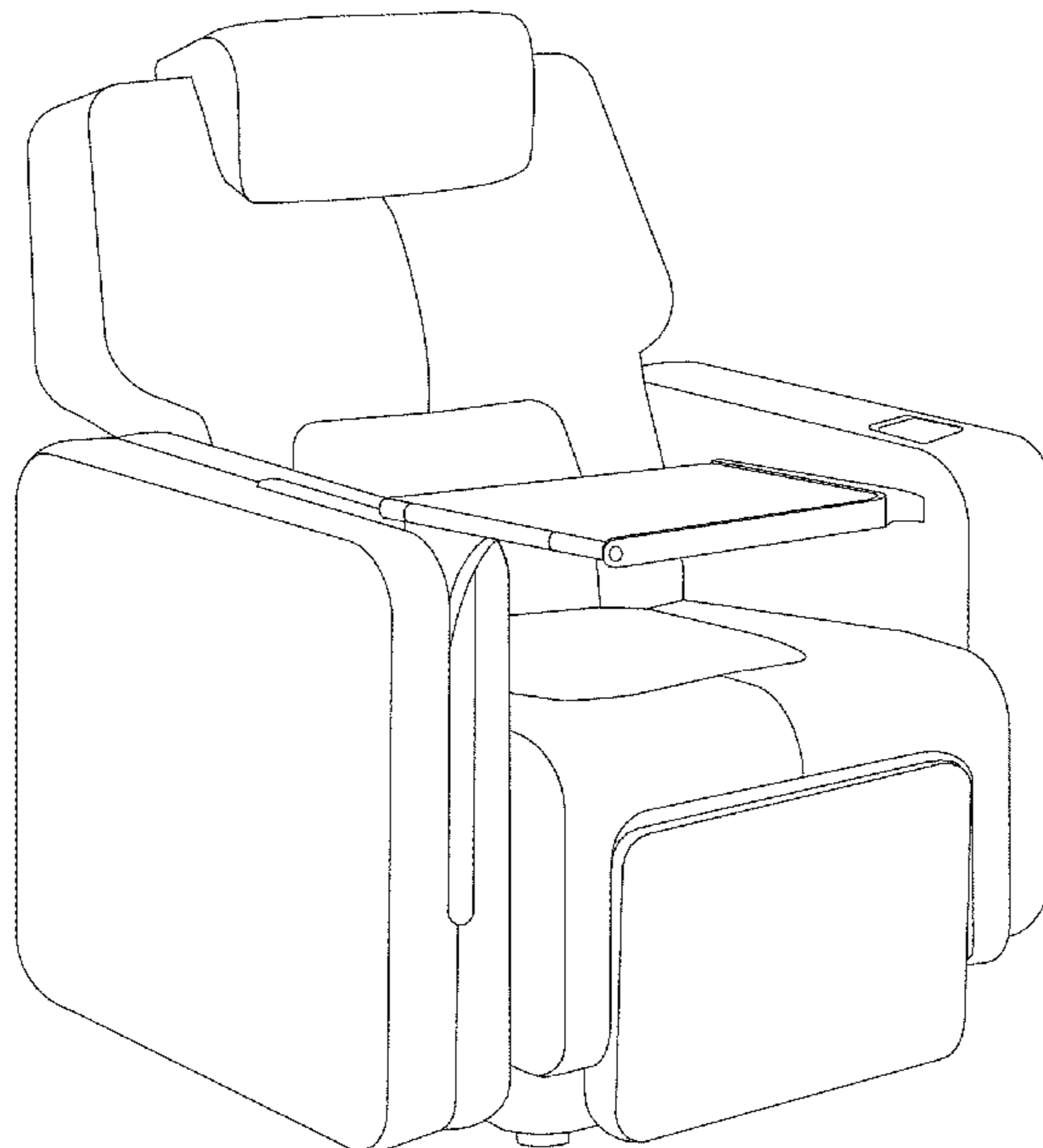
(57) **CLAIM**

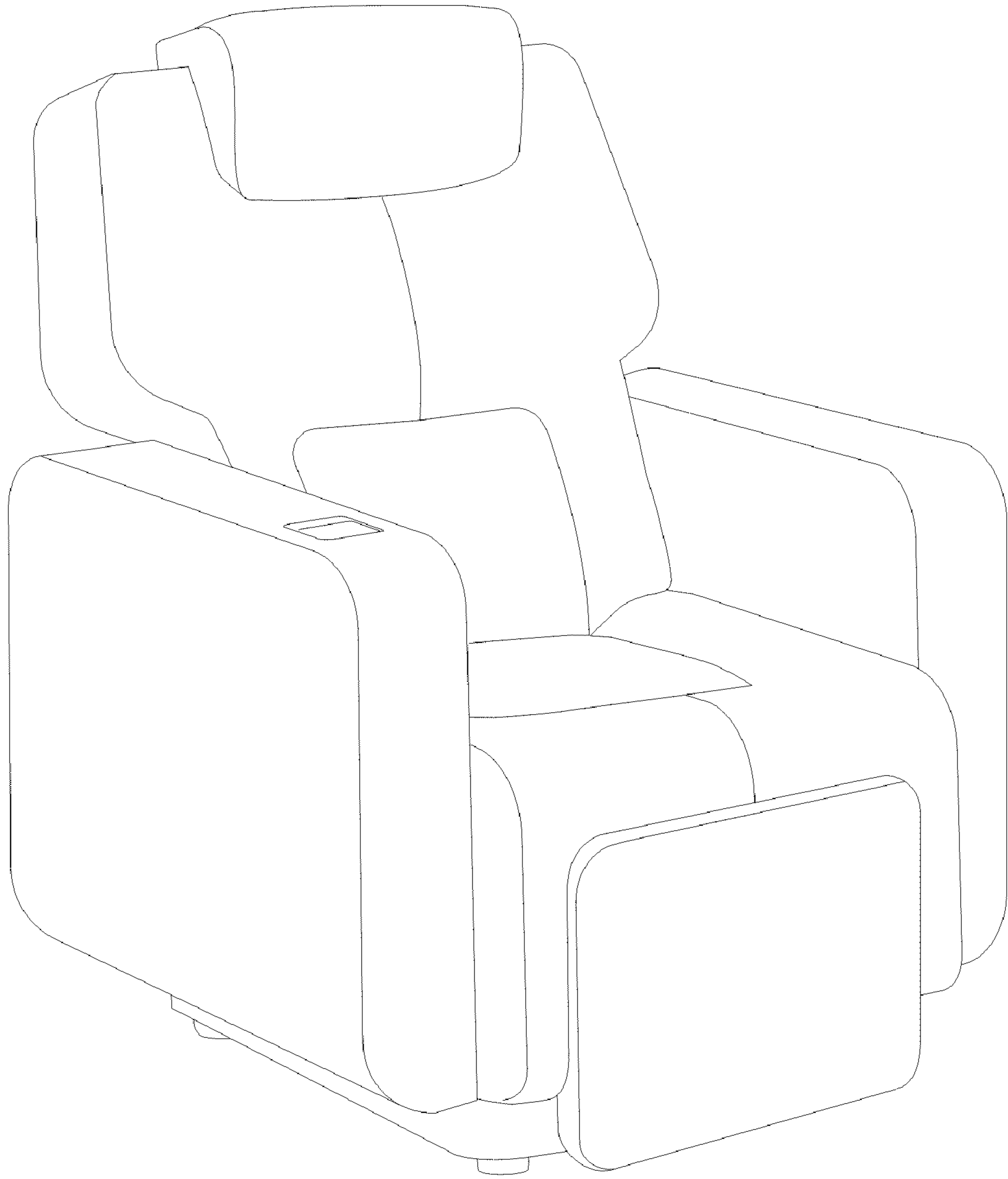
The ornamental design for an armchair, as shown and described.

**DESCRIPTION**

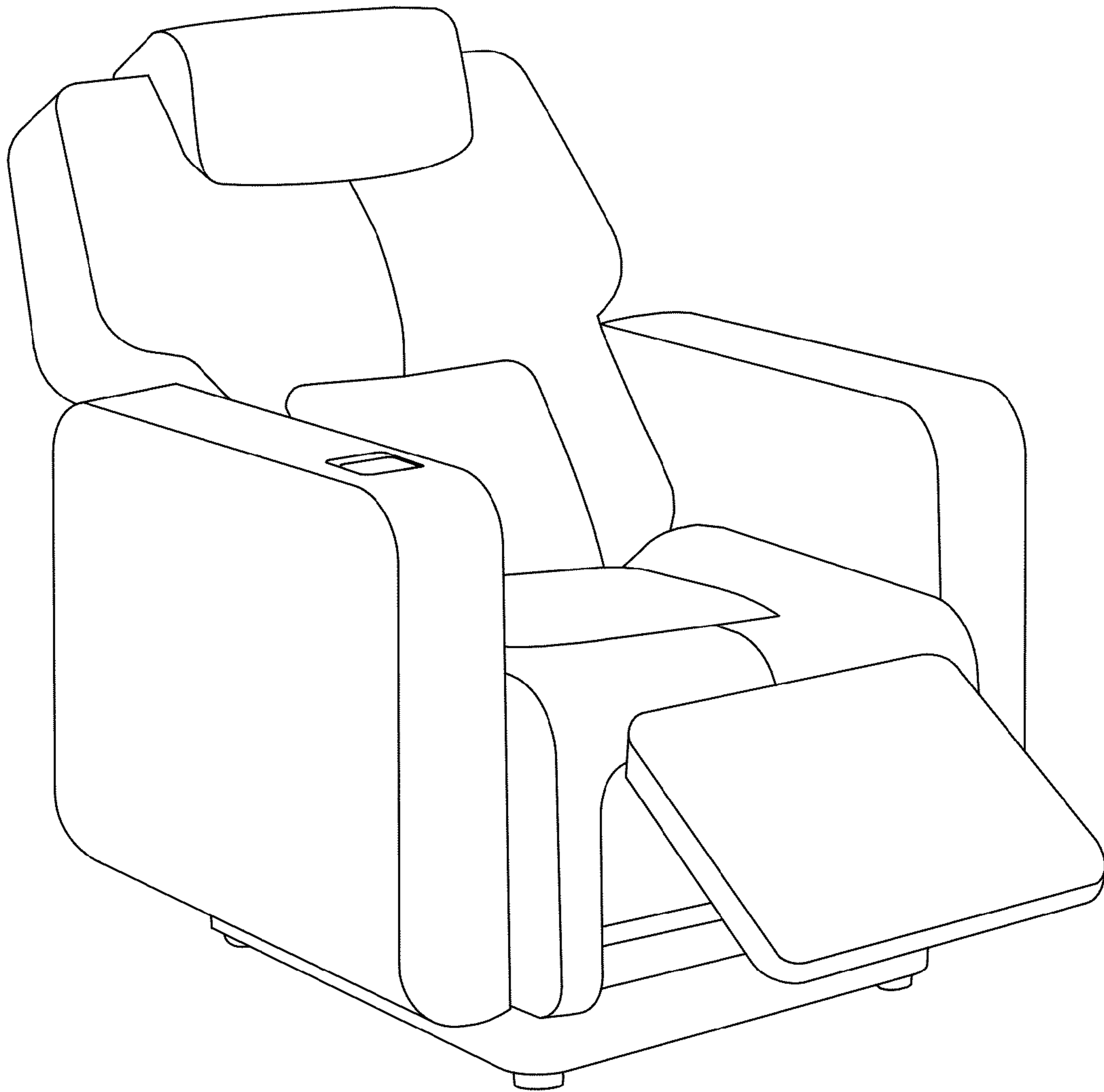
FIG. 1 is a closed front perspective view of a first embodiment of an armchair showing my new design;  
FIG. 2 is an open front perspective view thereof;  
FIG. 3 is a front view thereof;  
FIG. 4 is a side view thereof;  
FIG. 5 is a rear view thereof;  
FIG. 6 is a top view thereof;  
FIG. 7 is a closed front perspective view of a second embodiment of an armchair showing my new design;  
FIG. 8 is an open front perspective view thereof;  
FIG. 9 is a front view thereof;  
FIG. 10 is a side view thereof;  
FIG. 11 is a rear view thereof;  
FIG. 12 is a top view thereof;  
FIG. 13 is a closed front perspective view of a third embodiment of an armchair showing my new design;  
FIG. 14 is an open front perspective view thereof;  
FIG. 15 is a front view thereof;  
FIG. 16 is a side view thereof;  
FIG. 17 is a rear view thereof; and,  
FIG. 18 is a top view thereof.

**1 Claim, 18 Drawing Sheets**

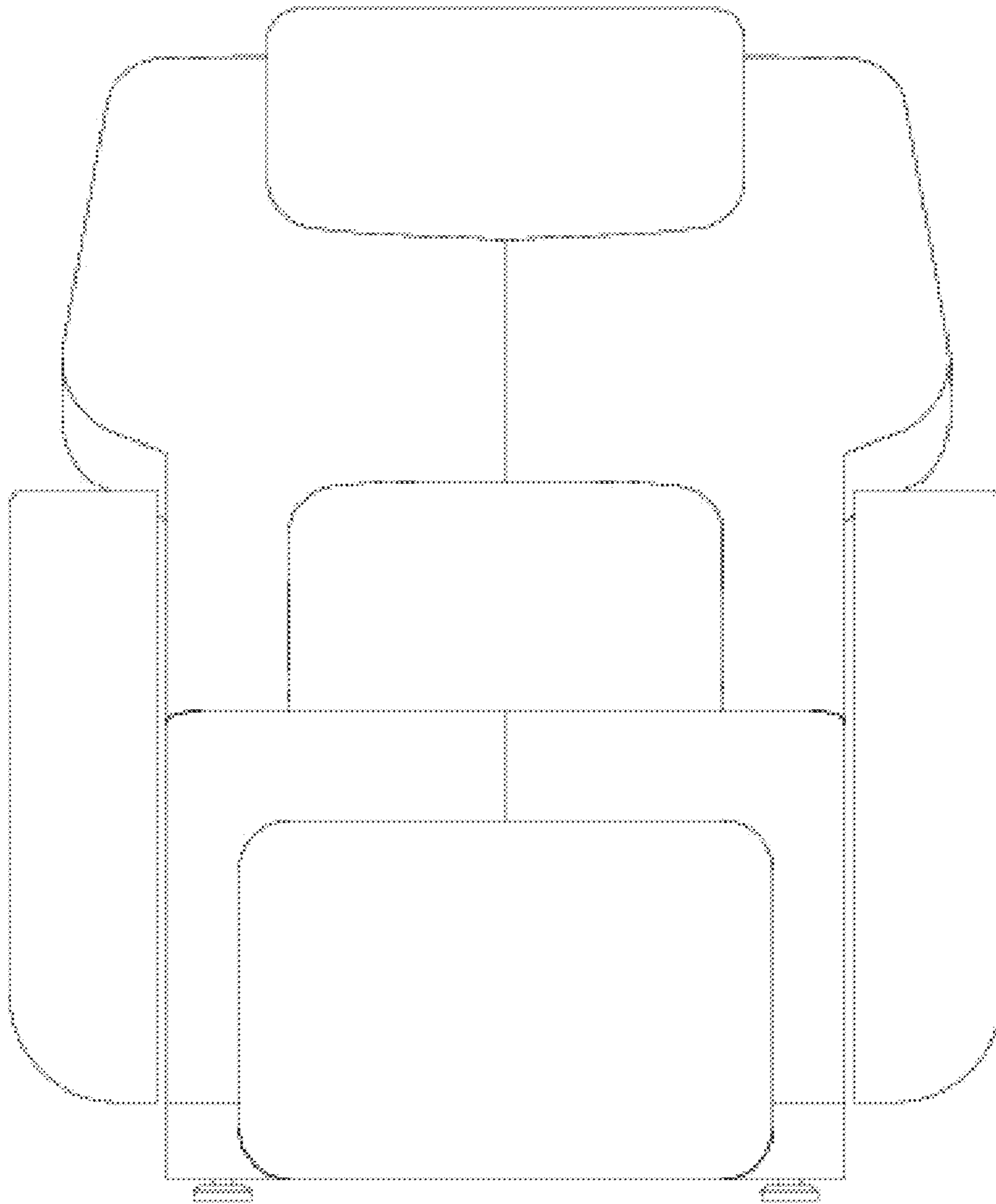




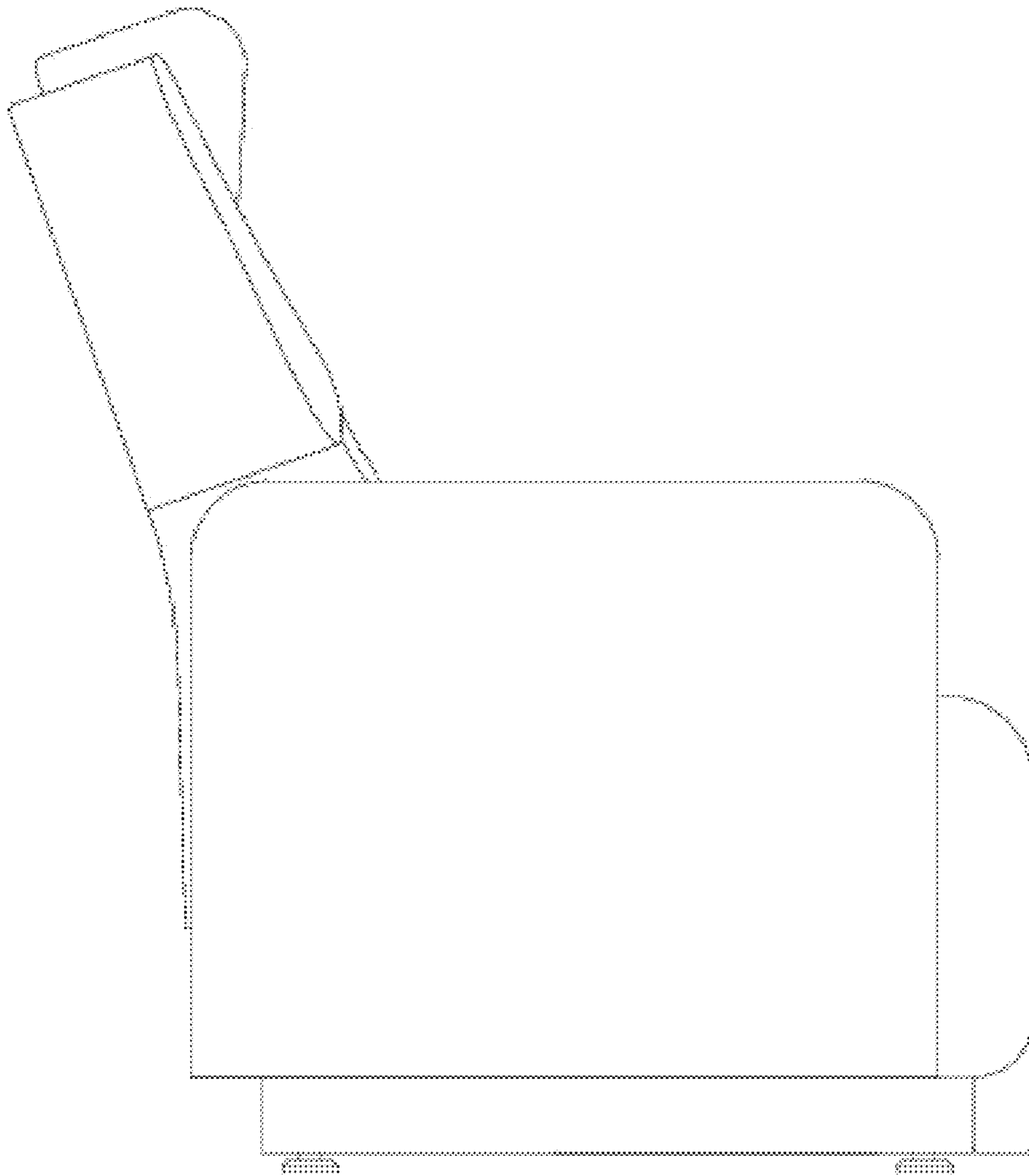
**Fig. 1**



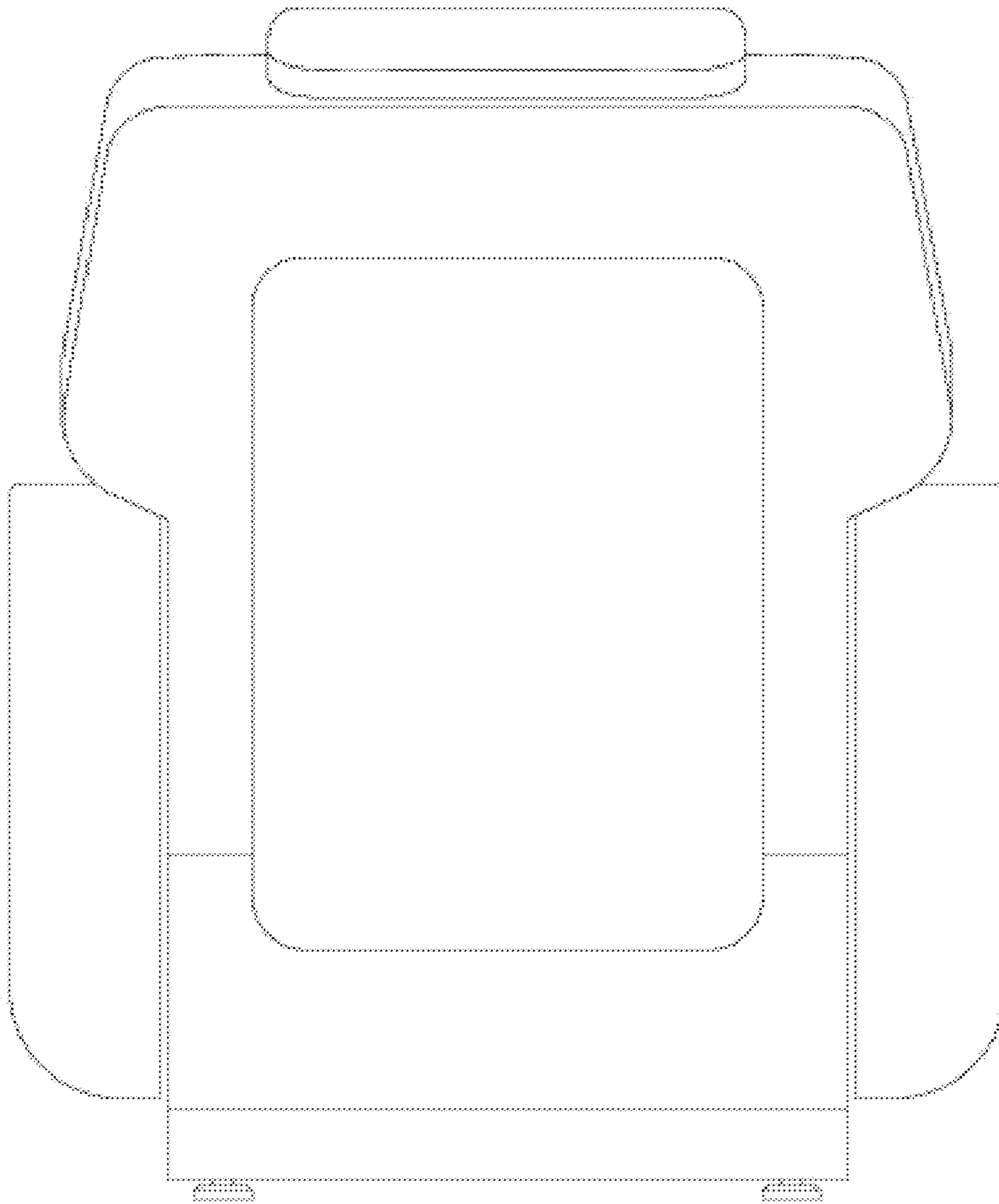
**Fig. 2**



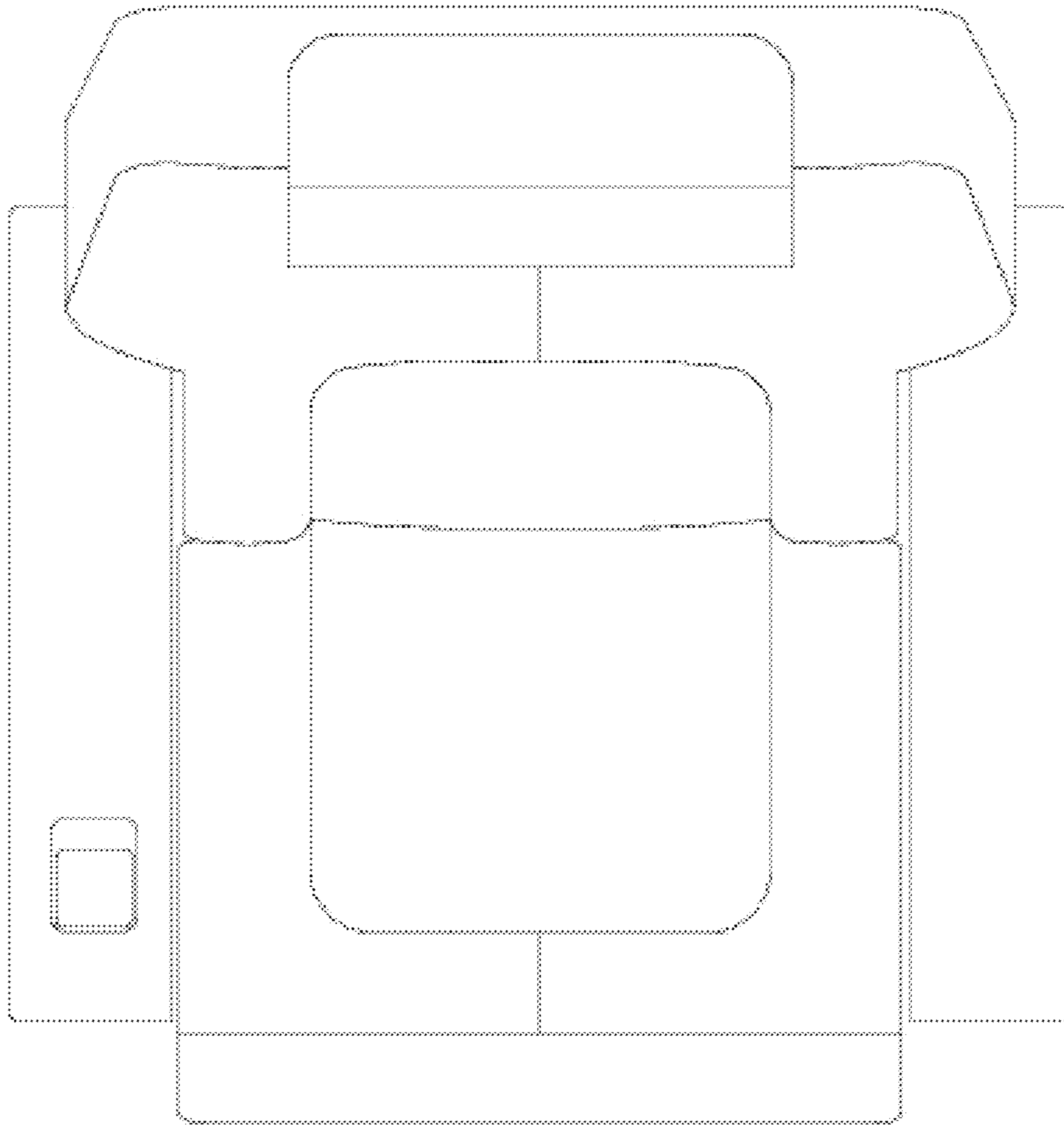
**Fig. 3**



**Fig. 4**

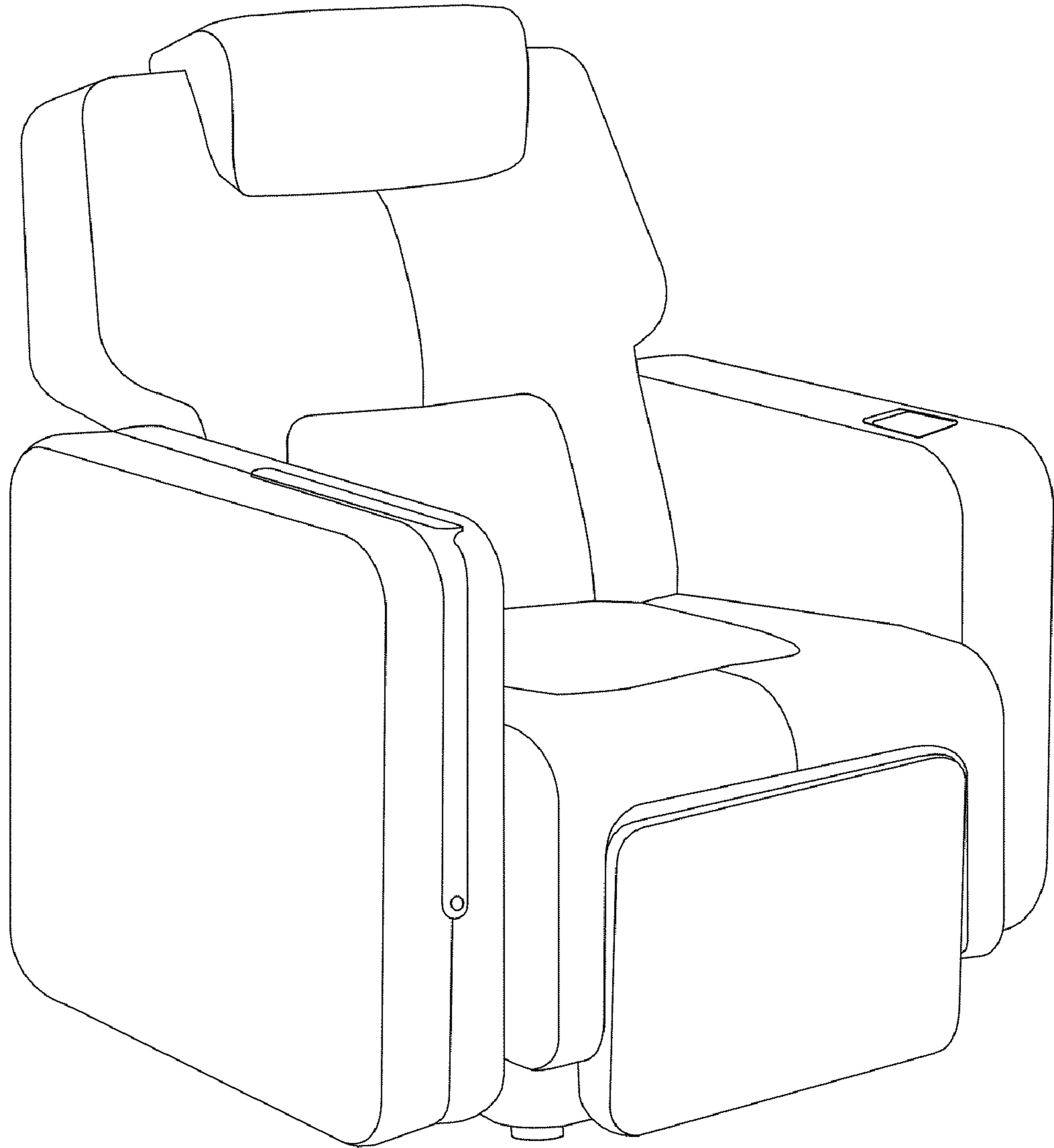


**Fig. 5**



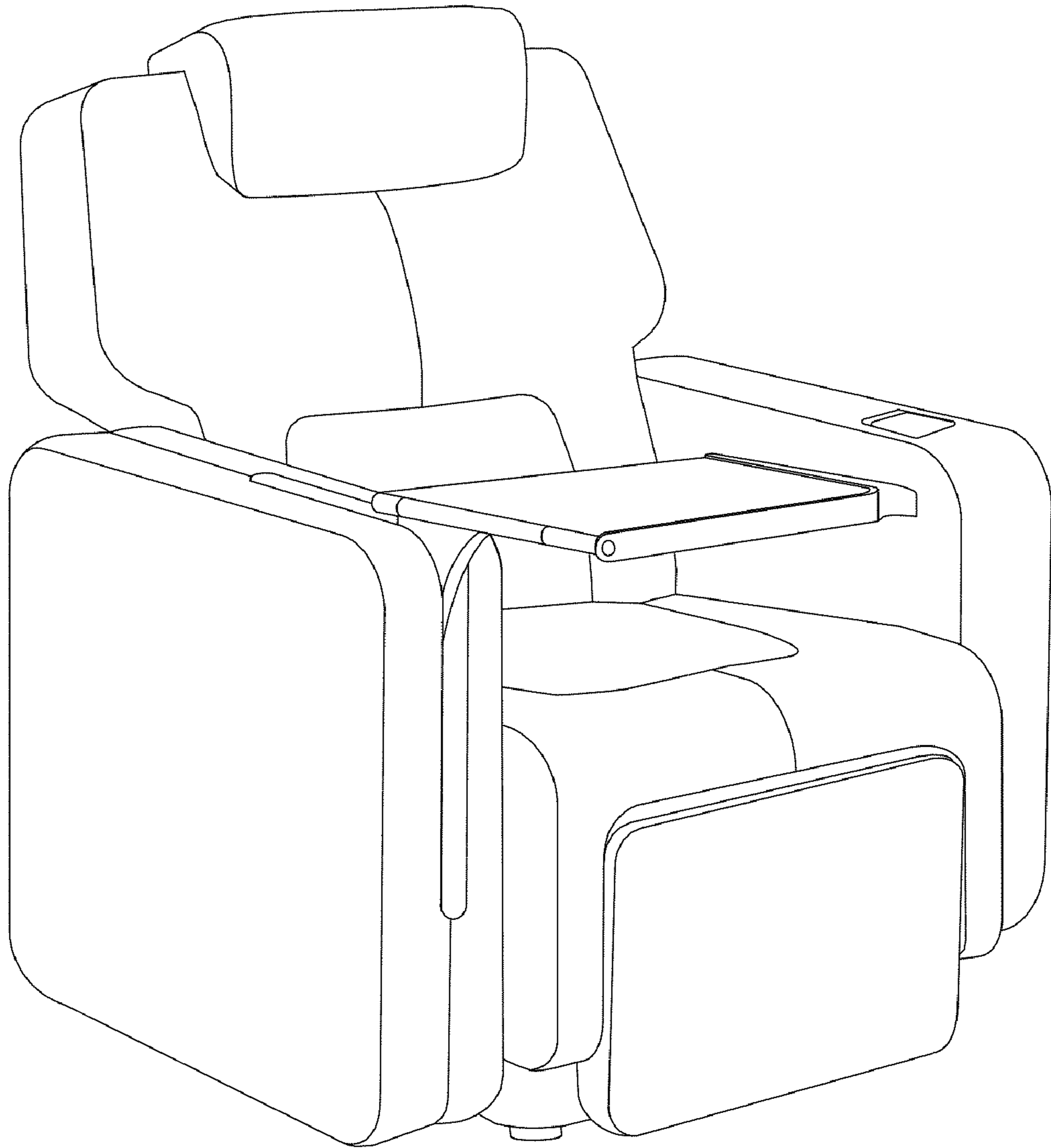
**Fig. 6**



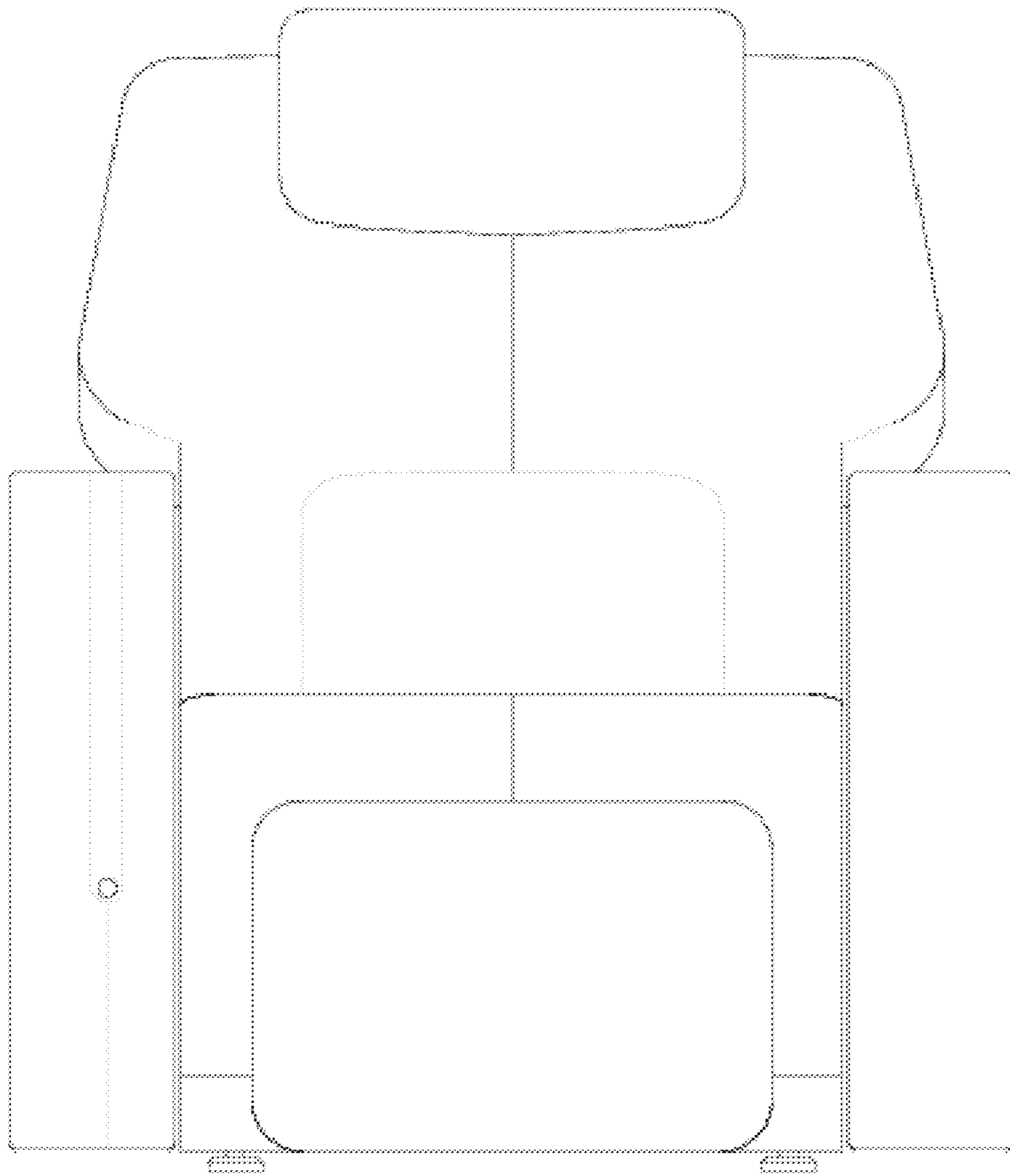


**Fig. 7**

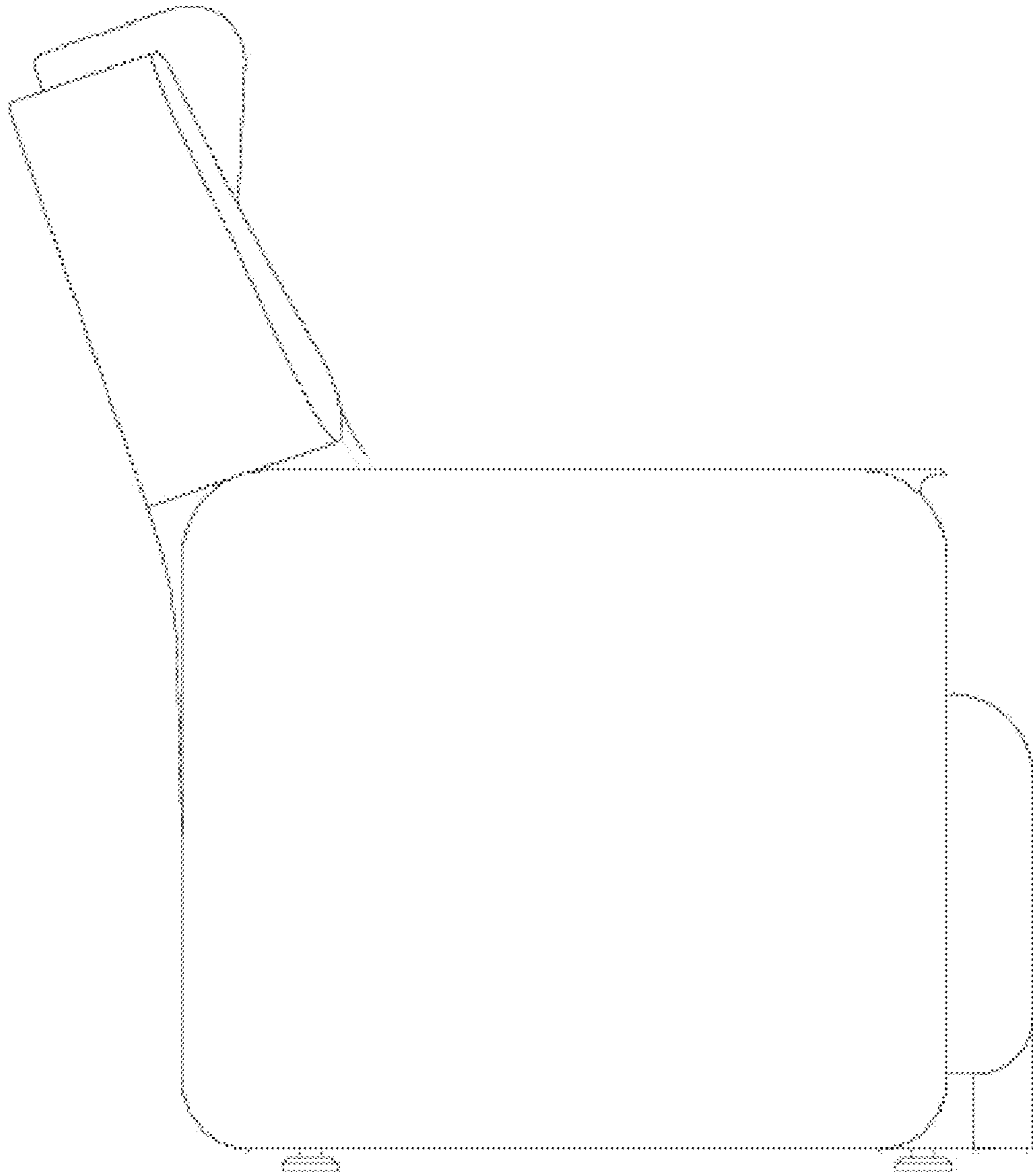




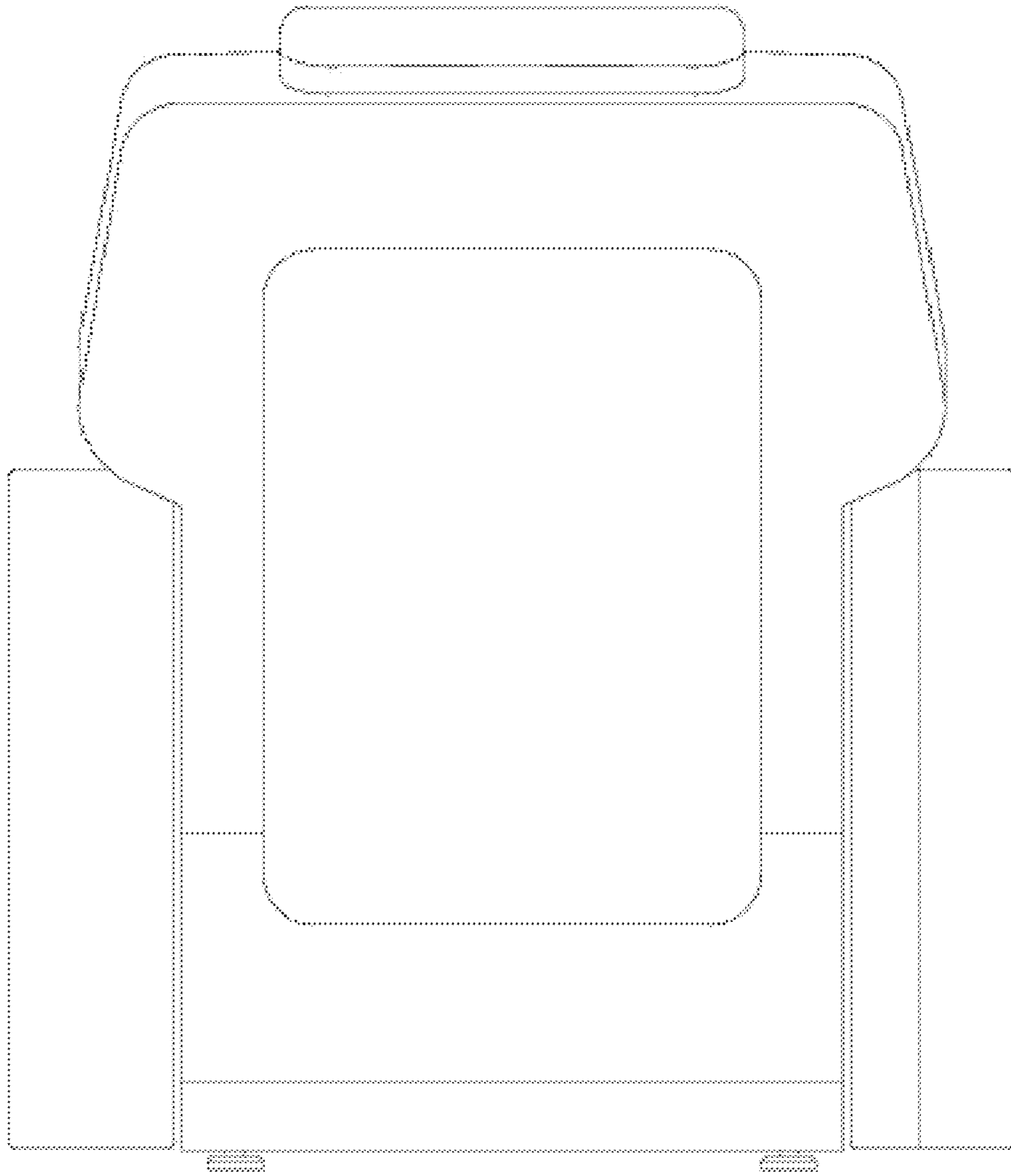
**Fig. 8**



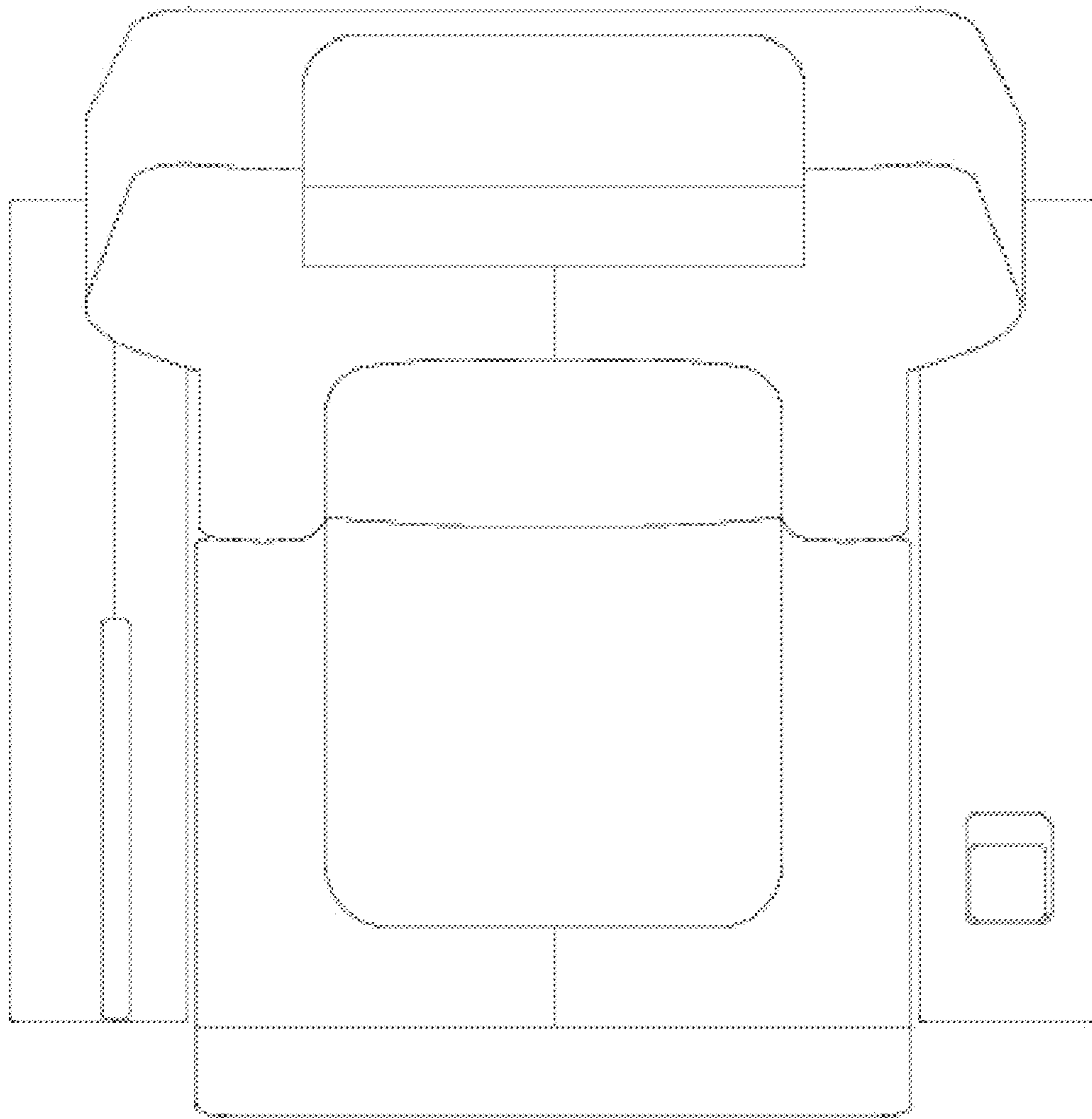
**Fig. 9**



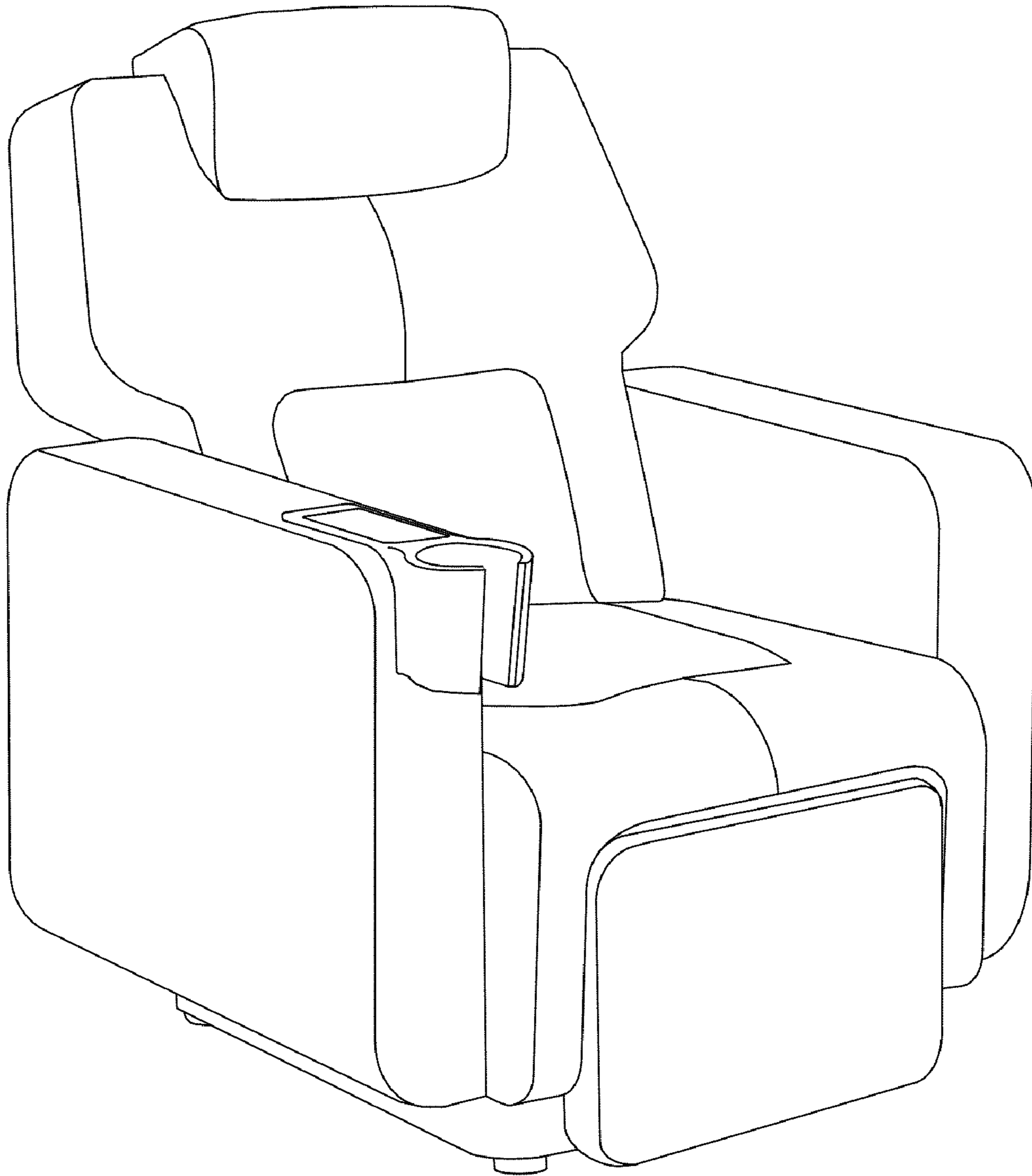
**Fig. 10**



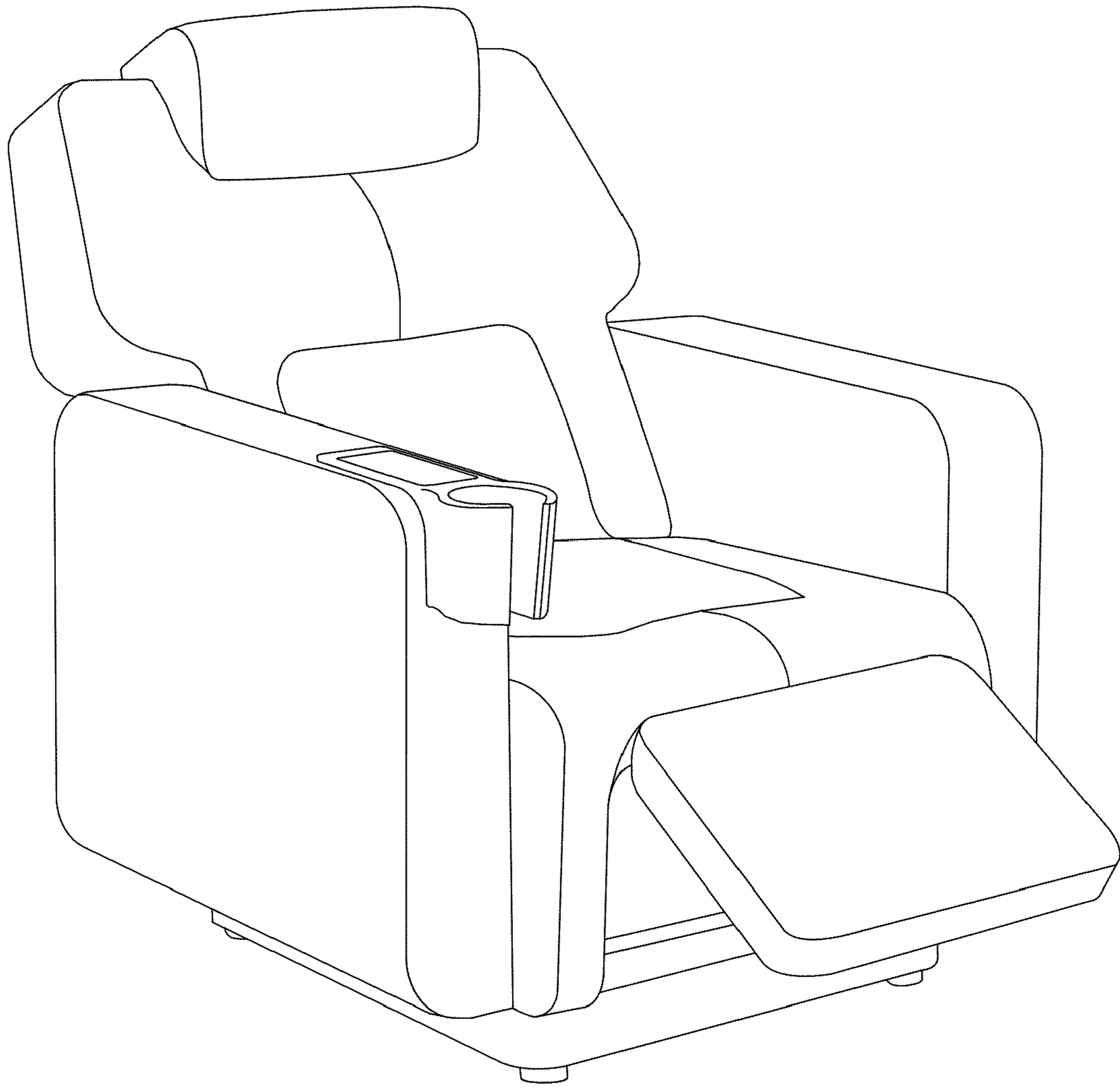
**Fig. 11**



**Fig. 12**

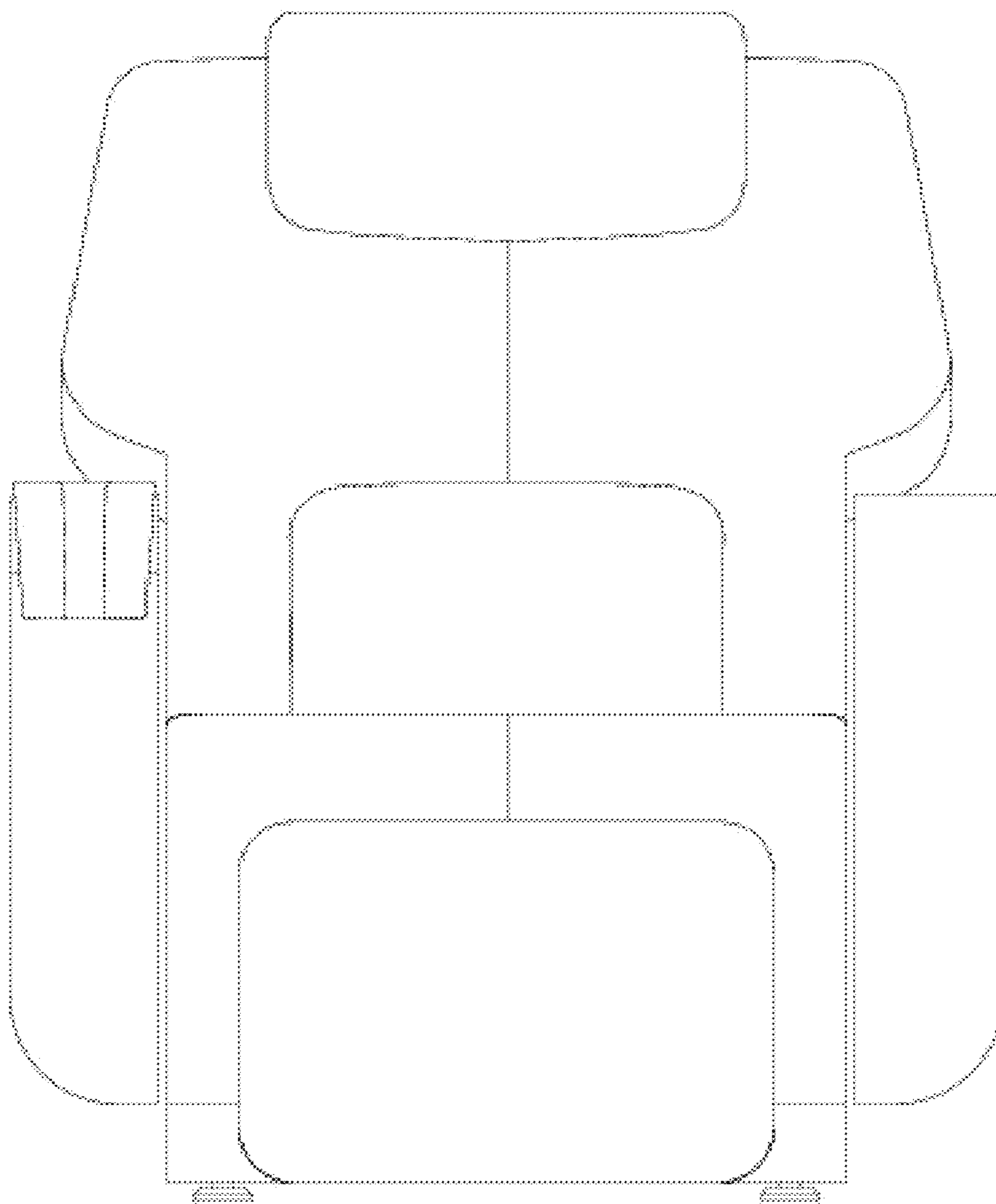


**Fig. 13**

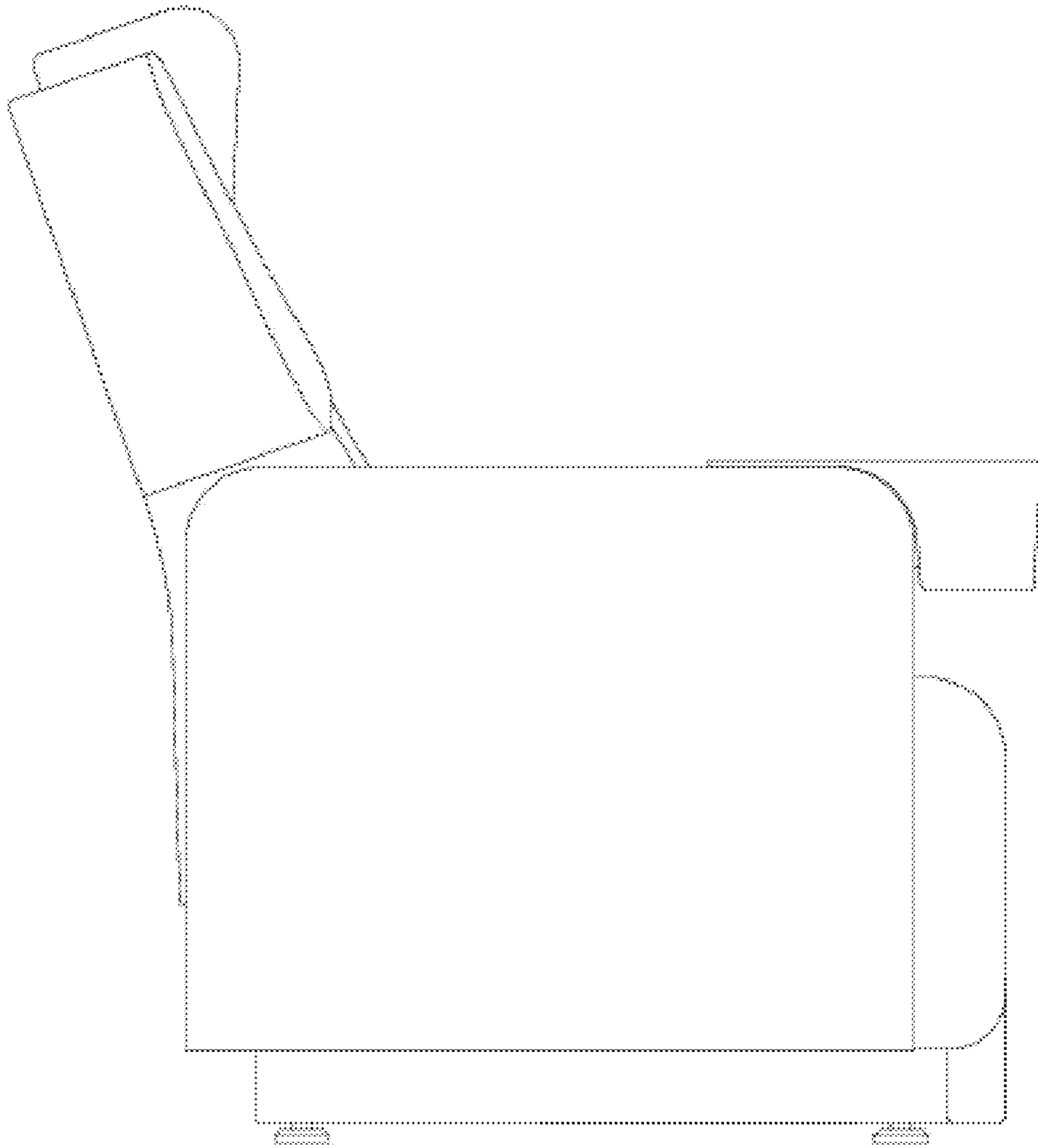


**Fig. 14**

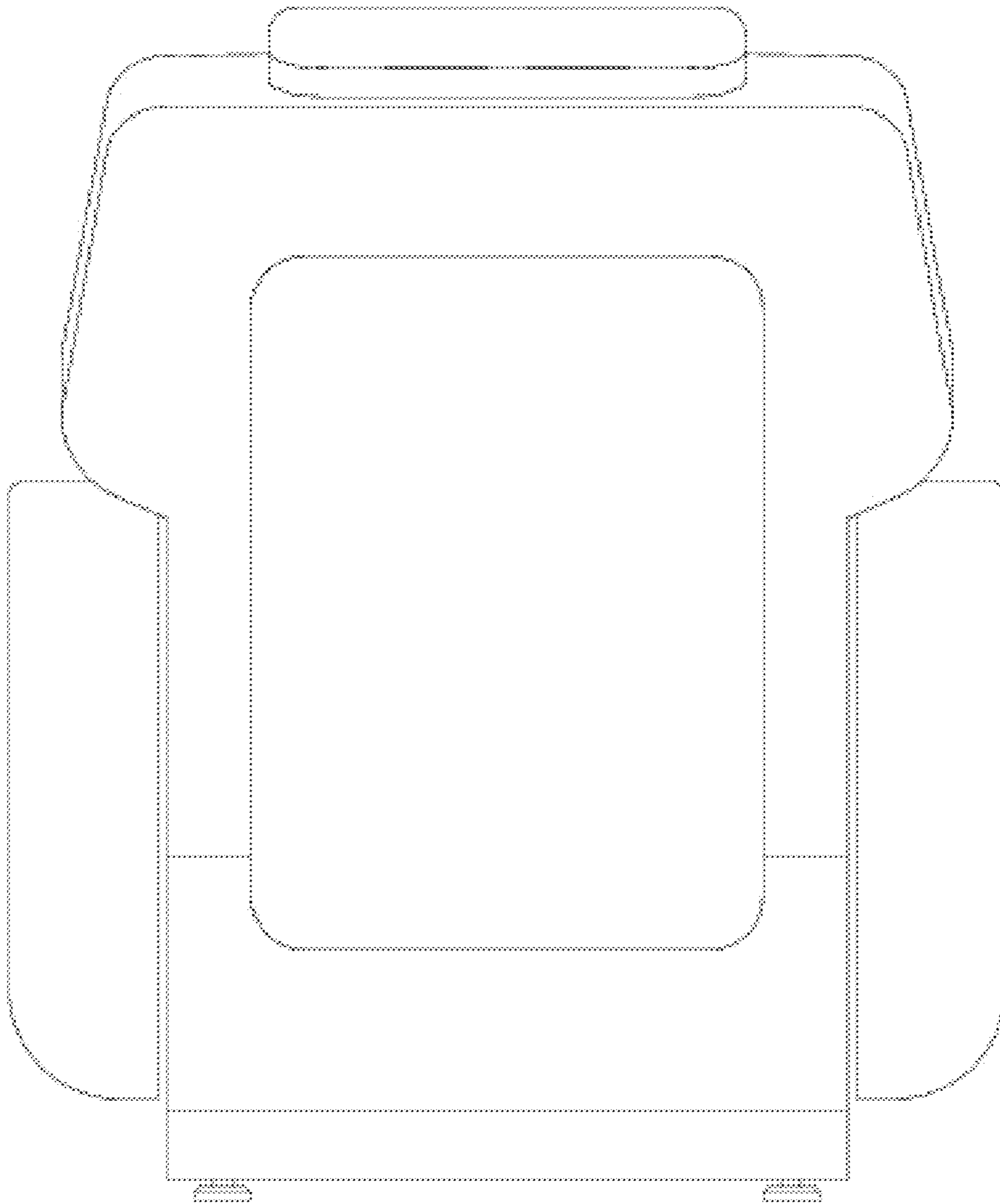




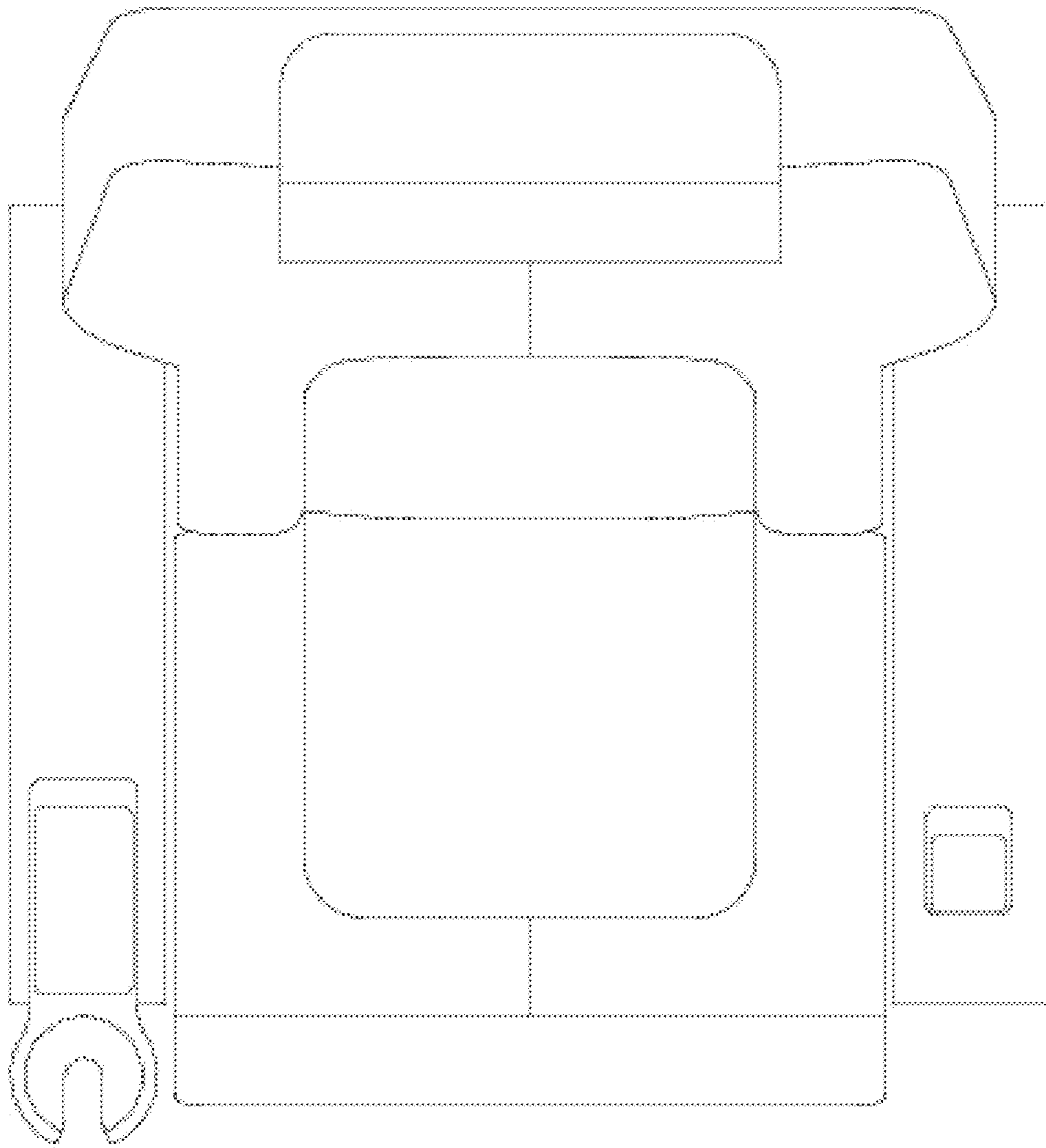
**Fig. 15**



**Fig. 16**



**Fig. 17**



**Fig. 18**