

US00D654700S

(12) **United States Design Patent**
Pope

(10) **Patent No.:** **US D654,700 S**

(45) **Date of Patent:** **** Feb. 28, 2012**

(54) **BRUSH HEAD**

(75) Inventor: **Gisele Pope**, Boise, ID (US)

(73) Assignee: **Loew-Cornell, LLC**, Erlanger, KY (US)

(**) Term: **14 Years**

(21) Appl. No.: **29/403,480**

(22) Filed: **Oct. 6, 2011**

(51) **LOC (9) Cl.** **04-02**

(52) **U.S. Cl.** **D4/135**

(58) **Field of Classification Search** D4/100,
D4/102, 114, 135, 116, 121, 127; 15/21.1,
15/22.1, 23, 24, 28, 29, 191.1, 192, 193,
15/194, 166, 168, 171, 175, 176.1; 132/218,
132/217; D28/7, 57

See application file for complete search history.

(56) **References Cited**

U.S. PATENT DOCUMENTS

D450,931 S *	11/2001	Mink et al.	D4/135
D463,136 S *	9/2002	Mink	D4/135
D471,018 S *	3/2003	Mink	D4/135
D480,218 S *	10/2003	Mink	D4/135
7,159,950 B2 *	1/2007	Young-Chul	300/21
7,219,801 B2 *	5/2007	Christian	206/581
D558,982 S *	1/2008	Dovellos	D4/135

D559,548 S *	1/2008	Dovellos	D4/135
D571,105 S *	6/2008	Godin	D4/119
D572,010 S *	7/2008	Riaz	D4/135
D591,512 S *	5/2009	Mongeon et al.	D4/127
D625,522 S *	10/2010	Riaz	D4/135
D626,338 S *	11/2010	Ajootian	D4/135
D630,437 S *	1/2011	Carey	D4/116
D632,089 S *	2/2011	Limongi	D4/135
D635,774 S *	4/2011	Butts et al.	D4/100

* cited by examiner

Primary Examiner — Austin Murphy

(74) *Attorney, Agent, or Firm* — Michael J. Corrigan

(57) **CLAIM**

The ornamental design for the brush head, as shown and described.

DESCRIPTION

FIG. 1 is a front right perspective view of the brush head;

FIG. 2 is a top view thereof;

FIG. 3 is a right side view thereof;

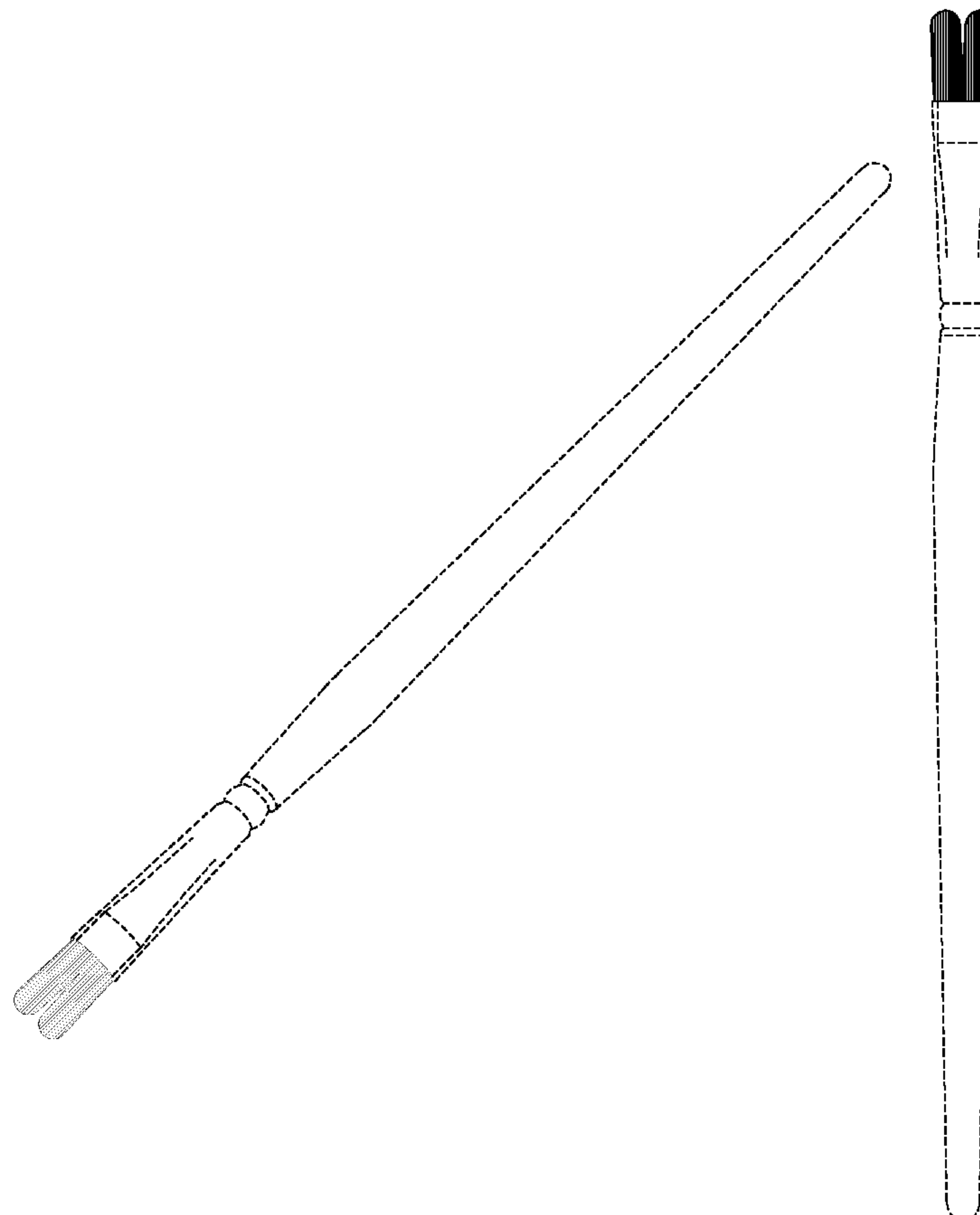
FIG. 4 is a front view thereof;

FIG. 5 is a left side view thereof; and,

FIG. 6 is a back side view thereof.

The broken lines in the drawings are for illustrative purposes only and form no part of the claimed design.

1 Claim, 2 Drawing Sheets



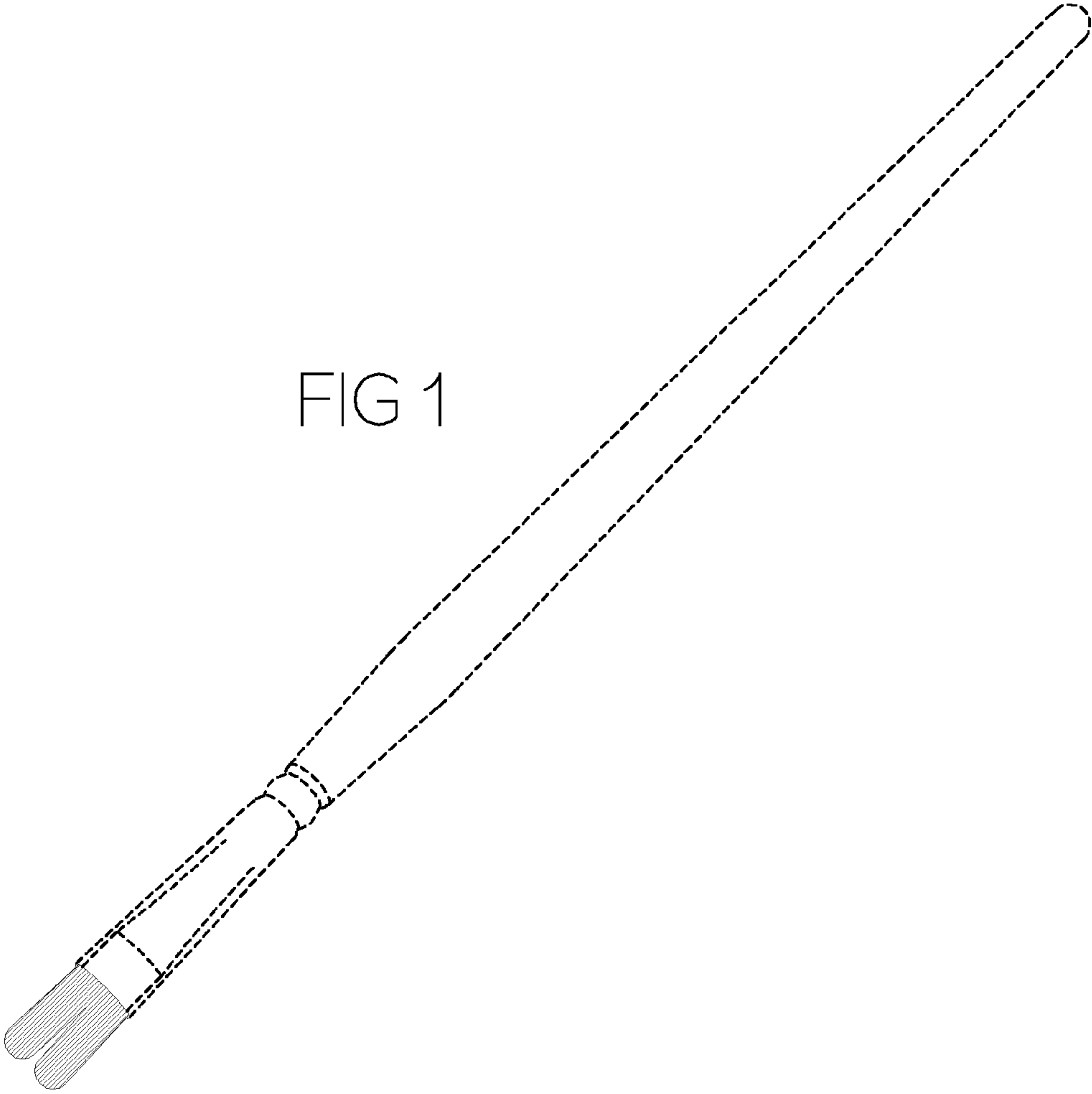


FIG 1



FIG 2

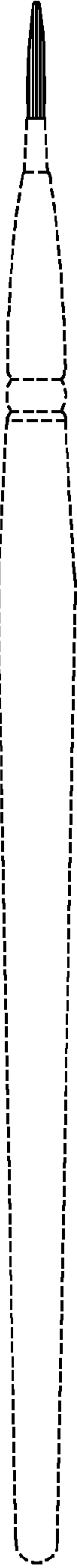


FIG 3

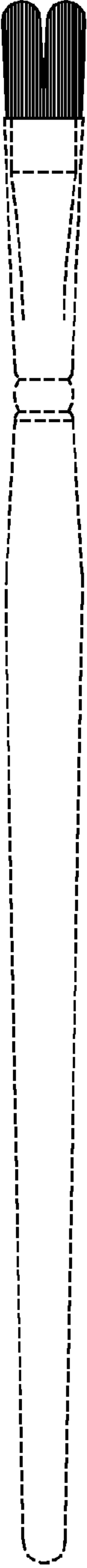


FIG 4

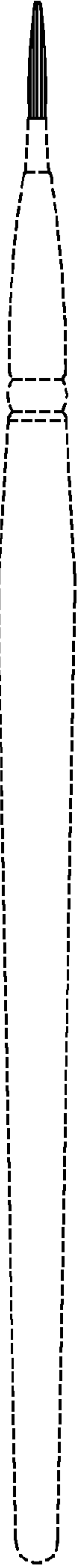


FIG 5

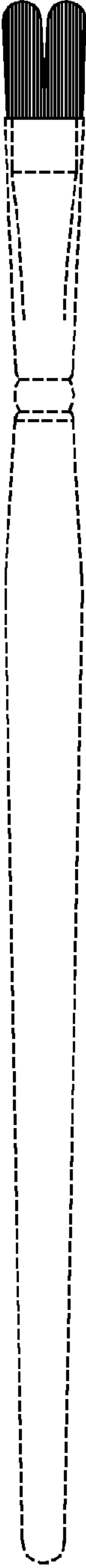


FIG 6