



US00D654699S

(12) **United States Design Patent**
Ross

(10) **Patent No.:** **US D654,699 S**

(45) **Date of Patent:** **** Feb. 28, 2012**

(54) **PORTABLE HAIR/LINT ROLLER**

(76) Inventor: **Tylor Christian Ross**, Edwardsburg, MI (US)

(**) Term: **14 Years**

(21) Appl. No.: **29/394,537**

(22) Filed: **Jun. 17, 2011**

(51) **LOC (9) Cl.** **04-01**

(52) **U.S. Cl.** **D4/116**

(58) **Field of Classification Search** D4/114, D4/115, 116, 122, 137, 132, 120, 121, 138, D4/128, 131, 136, 133, 134, 135, 117, 118, D4/119, 123, 127, 130, 199, 101; 132/218; D23/225; D5/58; 15/104.002, 209.1, 118, 15/230.11, 244.2, 186, 116.2, 206; 92/169.1; D28/7, 76; 401/219, 144, 15, 197, 145, 146, 401/218, 170, 268, 278; 119/628
See application file for complete search history.

(56) **References Cited**

U.S. PATENT DOCUMENTS

3,148,398	A *	9/1964	Thomas, Jr.	15/104.002
D207,048	S *	2/1967	Pekar	D4/120
4,979,257	A *	12/1990	Heneveld	15/104.002
D313,509	S *	1/1991	Ueda	D4/137
D324,779	S *	3/1992	Ueda	D4/137
D336,784	S *	6/1993	Yen	D4/122
5,333,341	A *	8/1994	Heneveld	15/104.2
7,111,351	B1 *	9/2006	DeRoma	15/104.002
D539,545	S *	4/2007	Crane et al.	D4/122

7,621,234	B2 *	11/2009	Roy	119/628
7,640,893	B2 *	1/2010	Woods	119/613
D634,126	S *	3/2011	Viola	D4/116
2005/0183223	A1 *	8/2005	Cheng	15/104.002

* cited by examiner

Primary Examiner — Kevin Rudzinski

(74) *Attorney, Agent, or Firm* — Sinorica, LLC

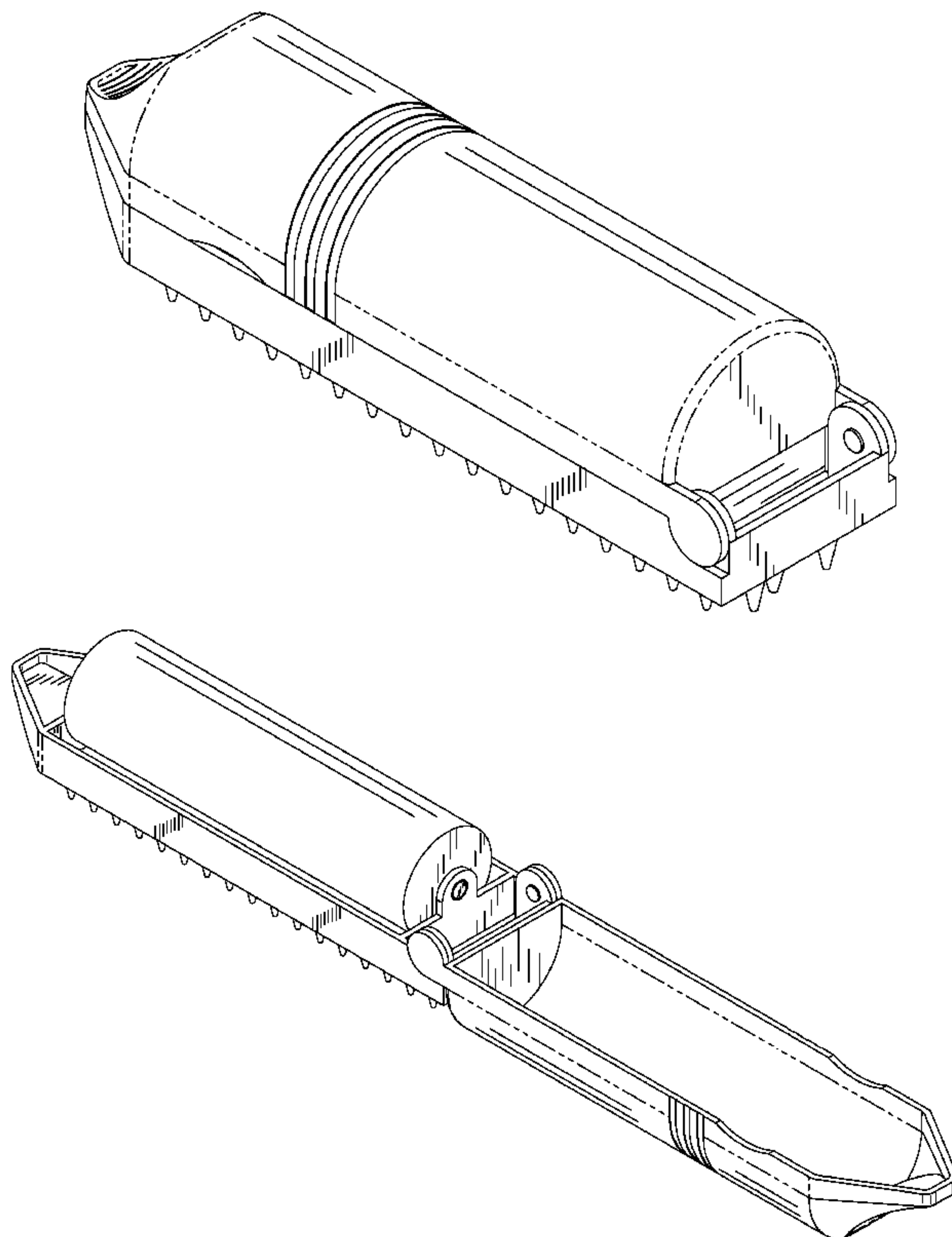
(57) **CLAIM**

The ornamental design for a portable hair/lint roller, as shown and described.

DESCRIPTION

FIG. 1 is a perspective view of a portable hair/lint roller in its closed configuration;
 FIG. 2 is a front elevational view thereof;
 FIG. 3 is a rear elevational view thereof;
 FIG. 4 is a right-side elevational view thereof;
 FIG. 5 is a left-side elevational view thereof;
 FIG. 6 is a bottom plan view thereof;
 FIG. 7 is a top plan view thereof;
 FIG. 8 is a perspective view of a portable hair/lint roller in its open configuration;
 FIG. 9 is a front elevational view thereof;
 FIG. 10 is a rear elevational view thereof;
 FIG. 11 is a right-side elevational view thereof;
 FIG. 12 is a left-side elevational view thereof;
 FIG. 13 is a bottom plan view thereof; and,
 FIG. 14 is a top plan view thereof.

1 Claim, 8 Drawing Sheets



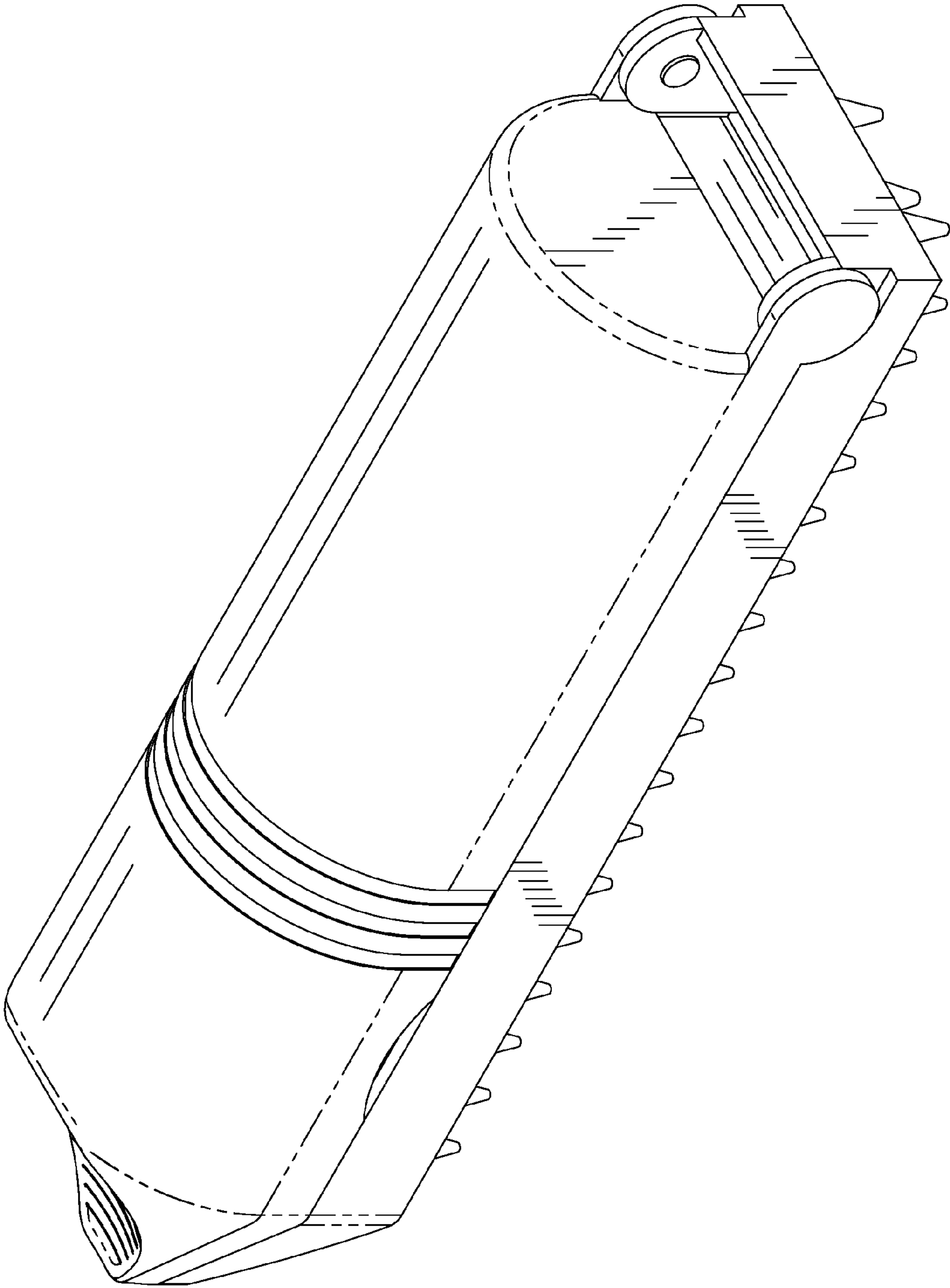


FIG. 1

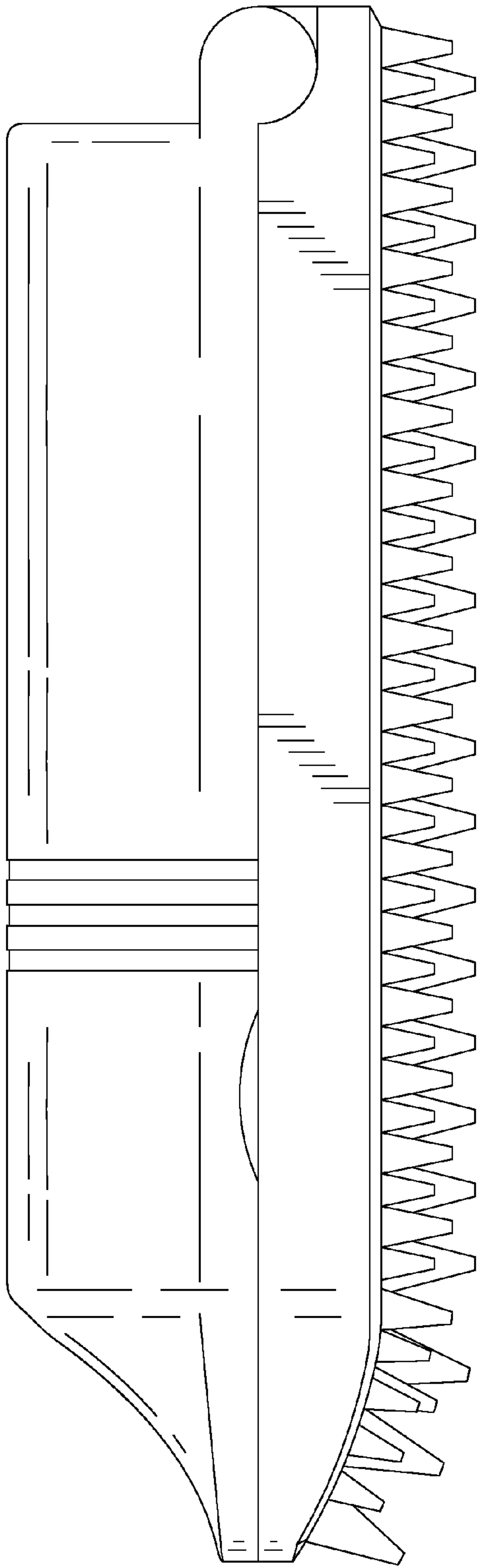


FIG. 2

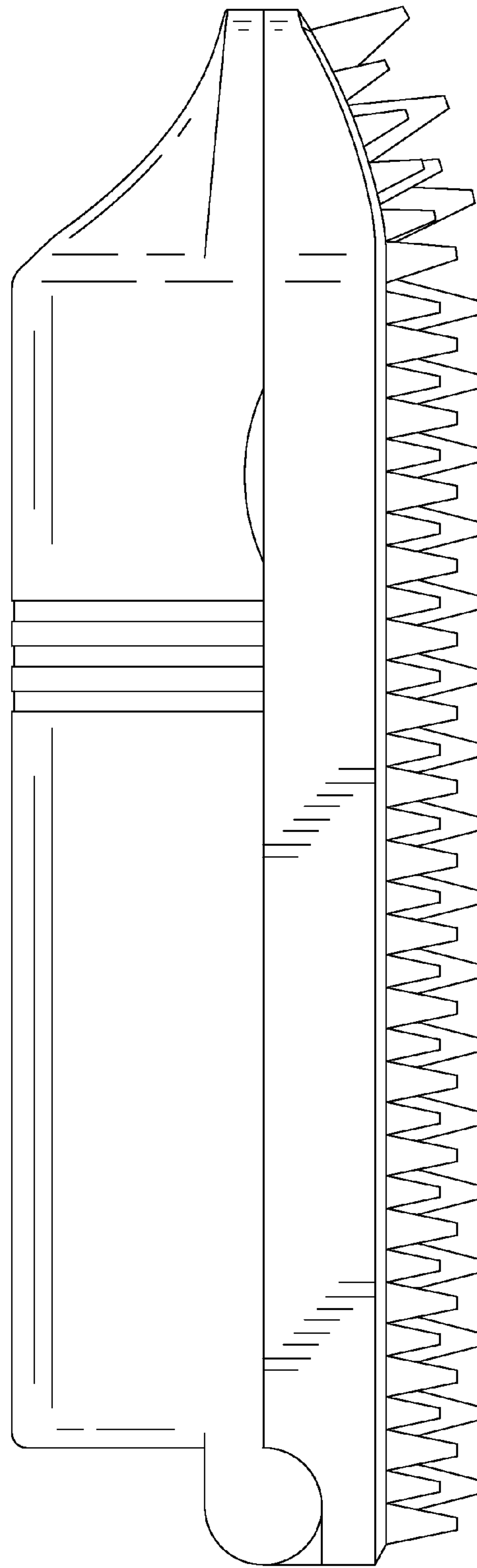


FIG. 3

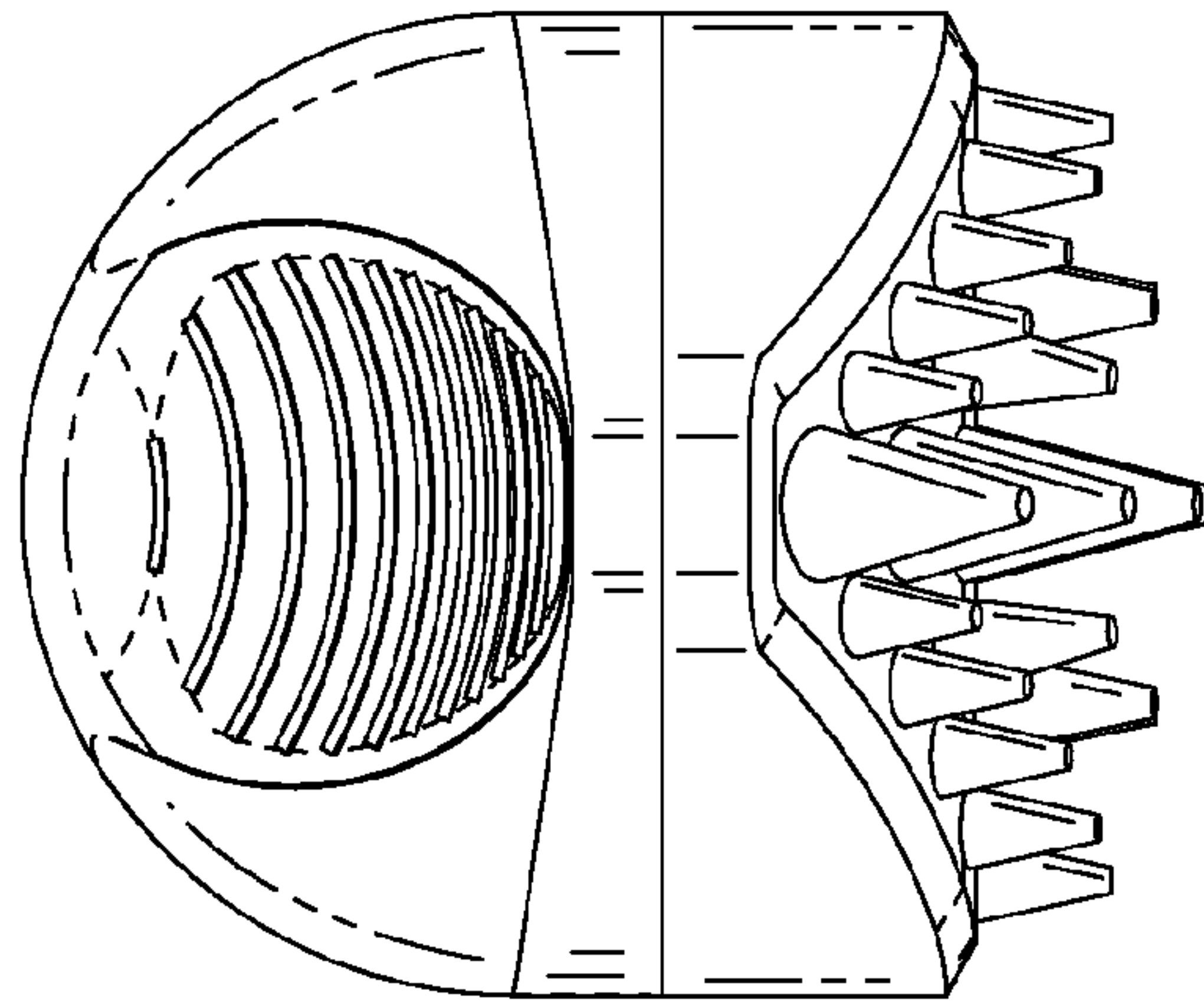


FIG. 5

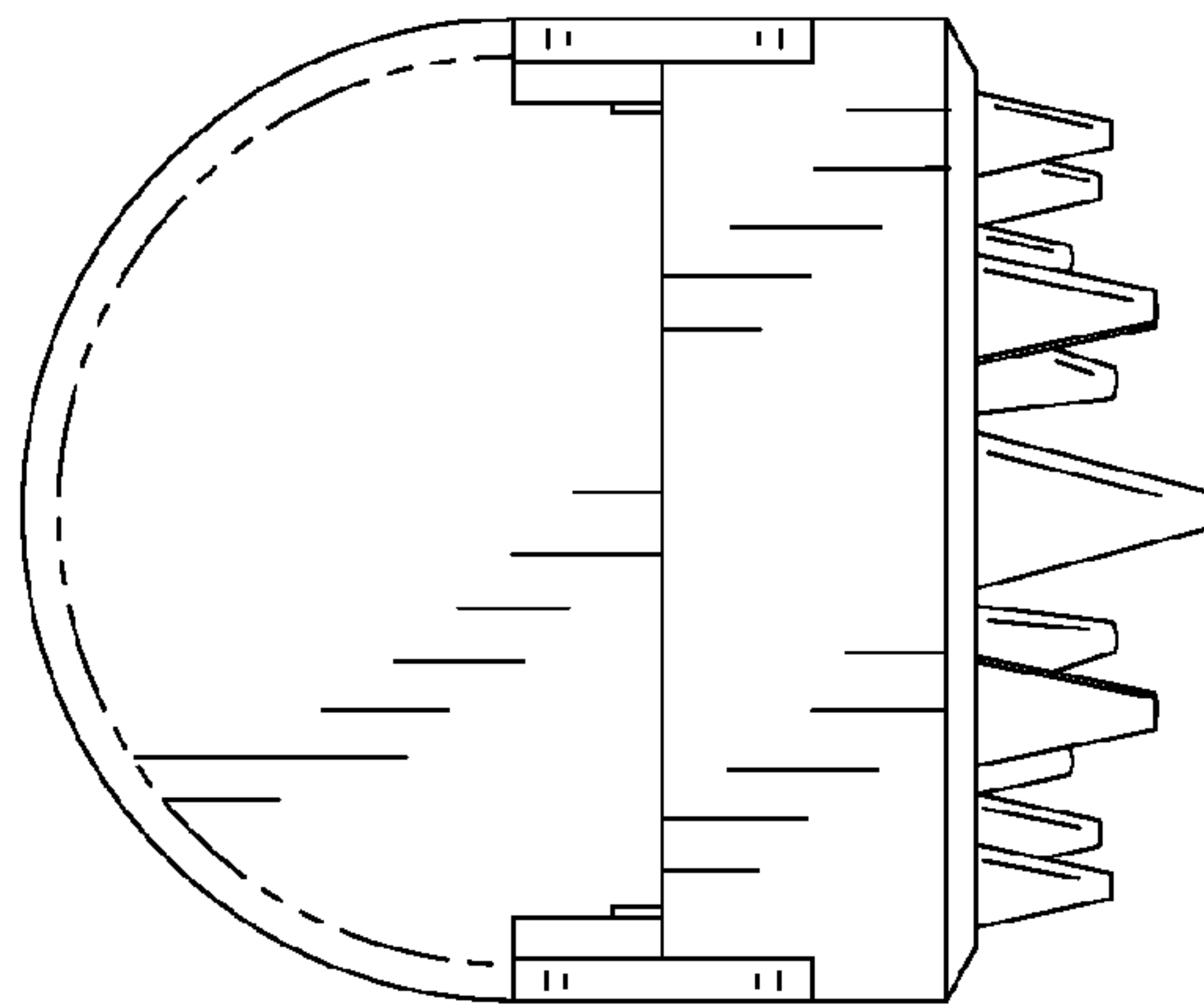


FIG. 4

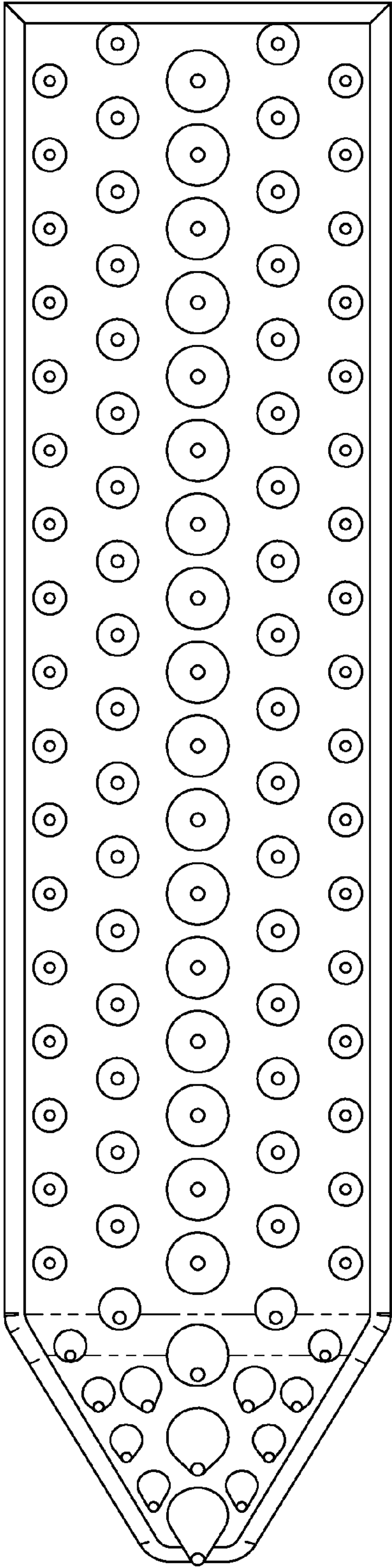


FIG. 6

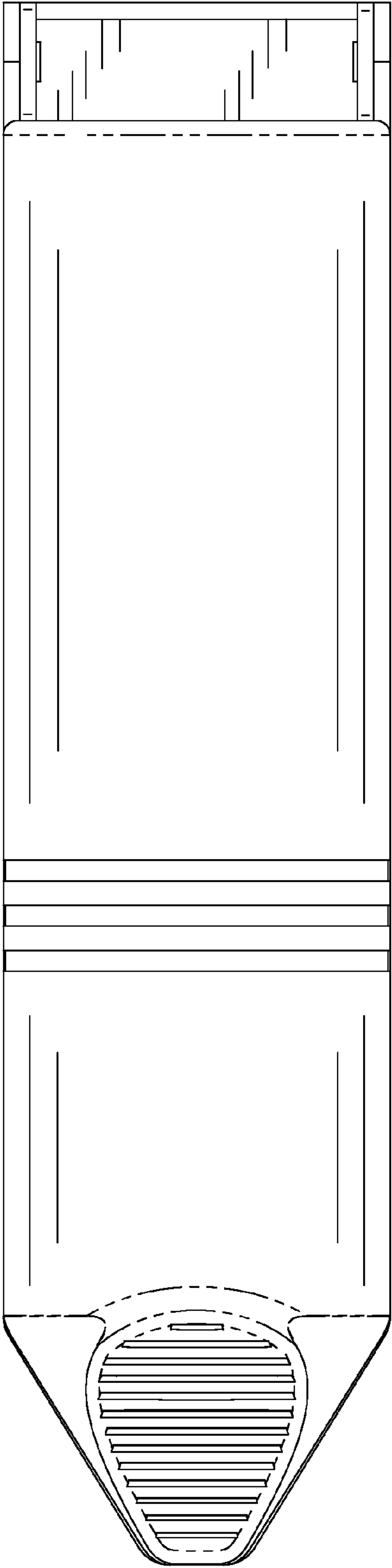


FIG. 7

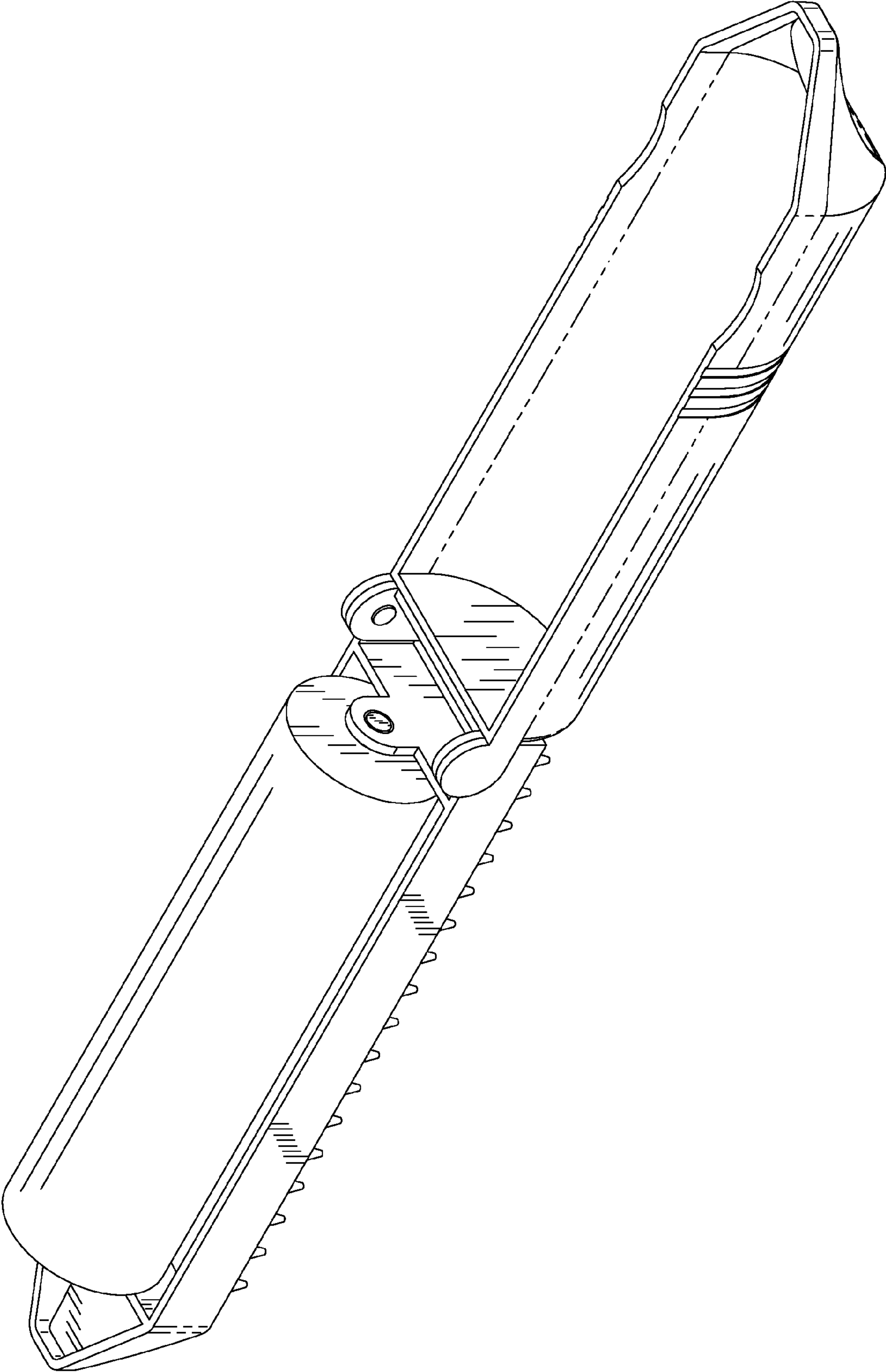


FIG. 8

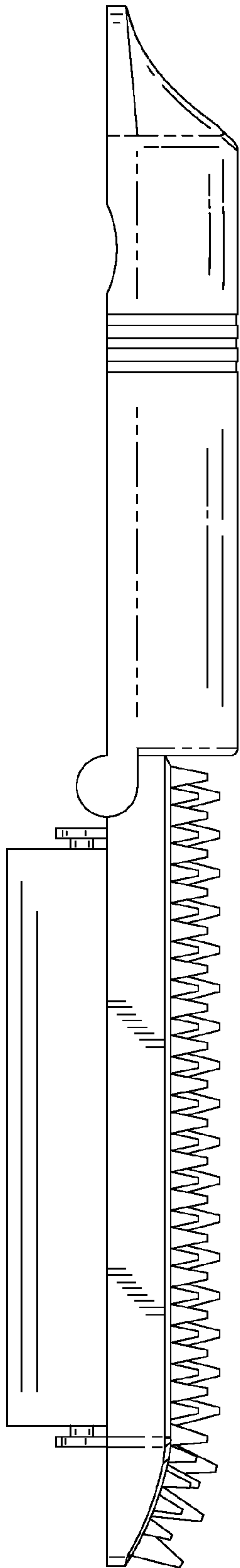


FIG. 9

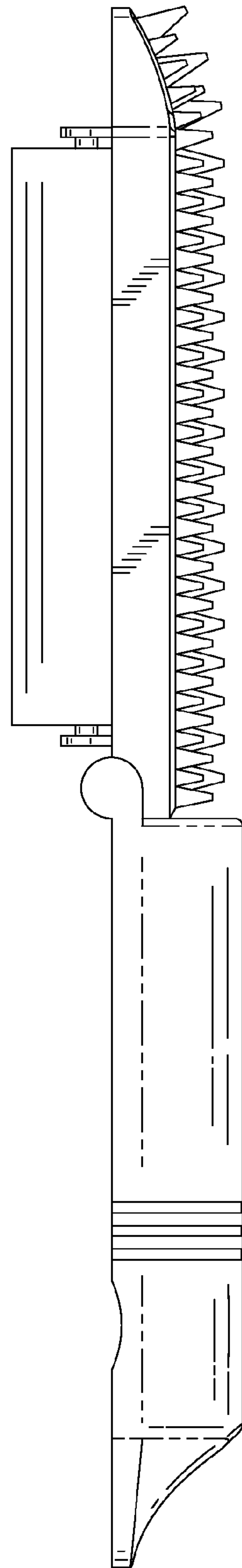


FIG. 10

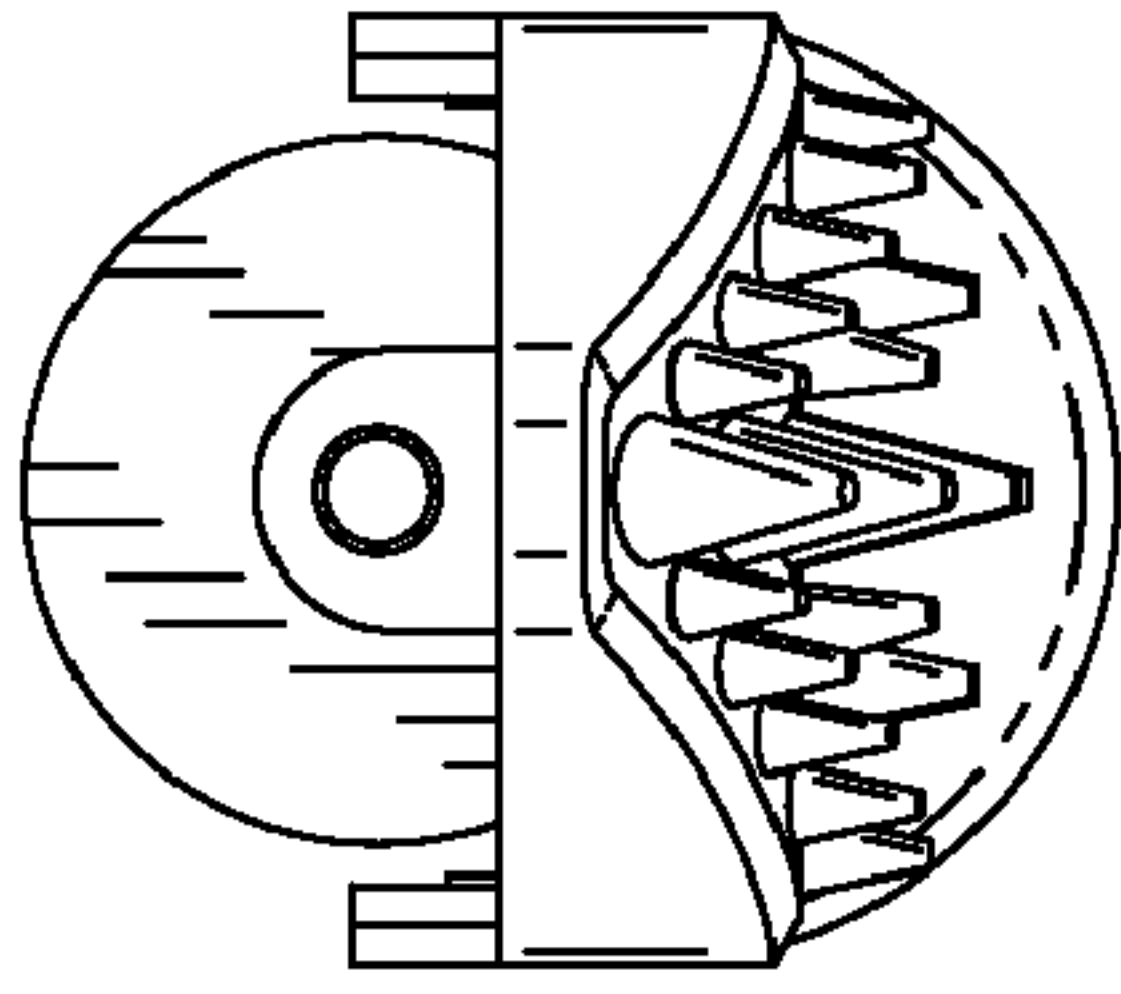


FIG. 11

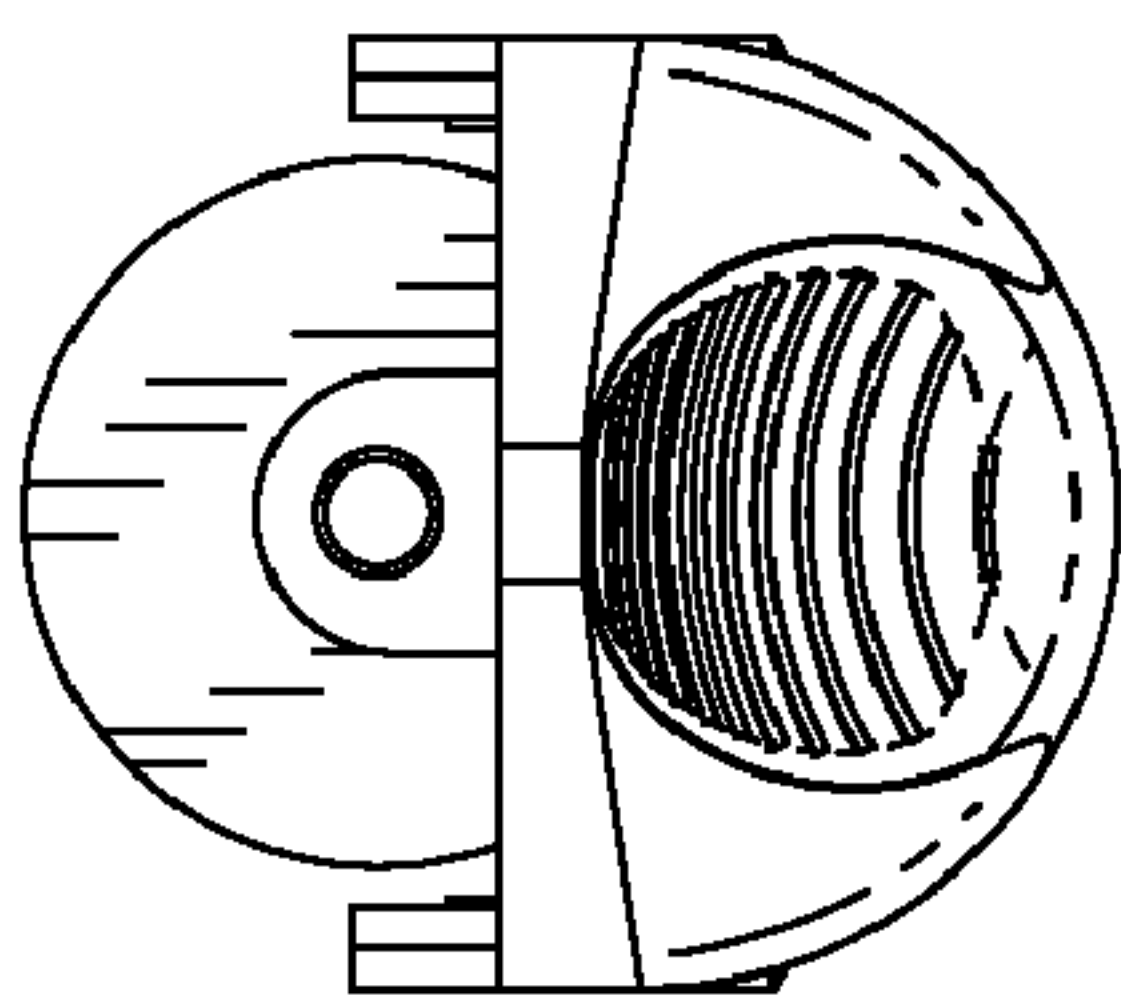


FIG. 12

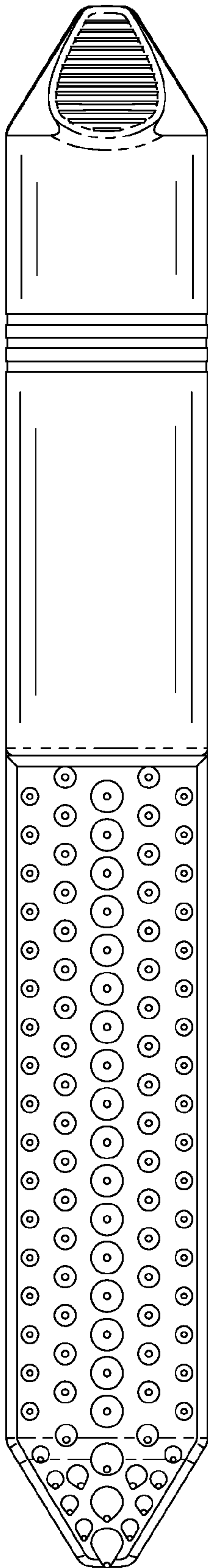


FIG. 13

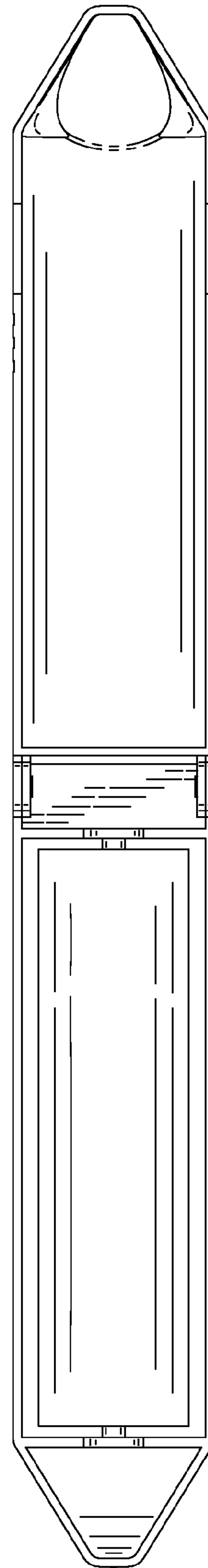


FIG. 14