



US00D654697S

(12) **United States Design Patent**
Ross

(10) **Patent No.:** **US D654,697 S**

(45) **Date of Patent:** **** Feb. 28, 2012**

(54) **HAIR/LINT ROLLER**

(76) **Inventor:** **Tylor Christian Ross**, Edwardsburg, MI (US)

(**) **Term:** **14 Years**

(21) **Appl. No.:** **29/394,534**

(22) **Filed:** **Jun. 17, 2011**

(51) **LOC (9) Cl.** **04-01**

(52) **U.S. Cl.** **D4/116**

(58) **Field of Classification Search** D4/114, D4/115, 116, 122, 137, 132, 120, 121, 138, D4/128, 131, 136, 133, 134, 135, 117, 118, D4/119, 123, 127, 130, 199, 101; 132/218; D23/225; D5/58; 15/104.002, 209.1, 118, 15/230.11, 244.2, 186, 116.2, 206; 92/169.1; D28/7, 76; 401/219, 144, 15, 197, 145, 146, 401/218, 170, 268, 278; 119/628

See application file for complete search history.

(56) **References Cited**

U.S. PATENT DOCUMENTS

702,998	A *	6/1902	Randolph	15/115
894,011	A *	7/1908	Kampfe	15/48
1,827,003	A *	10/1931	Gailhofer	401/21
2,534,086	A *	12/1950	Vosbikian et al.	15/245
D165,753	S *	1/1952	Herron	D4/119
2,895,152	A *	7/1959	Vosbikian et al.	15/116.2
2,935,754	A *	5/1960	Abdo et al.	401/22
3,148,398	A *	9/1964	Thomas, Jr.	15/104.002
3,158,887	A *	12/1964	Kanbar et al.	15/104.002
D207,048	S *	2/1967	Pekar	D4/120
3,363,276	A *	1/1968	Thomas, Jr.	15/105
3,398,418	A *	8/1968	Bogner et al.	15/105
3,538,533	A *	11/1970	Woods	15/236.09
D222,900	S *	2/1972	Derian	D4/136
3,742,547	A *	7/1973	Sohmer	15/104.002
3,744,082	A *	7/1973	Marshall	15/402

3,838,474	A *	10/1974	Erickson	15/142
D282,604	S *	2/1986	Whitaker	D4/118
4,703,538	A *	11/1987	Silverstrone	15/104.001
4,802,782	A *	2/1989	Scalf	401/138
D324,779	S *	3/1992	Ueda	D4/137
D358,487	S *	5/1995	Kneesch et al.	D4/116
5,533,223	A *	7/1996	Ho	15/104.02
D382,408	S *	8/1997	Thielen	D4/116
5,927,057	A *	7/1999	Hueber	56/400.06
D485,075	S *	1/2004	Hutchinson	D4/114
6,671,921	B1 *	1/2004	Hickman	15/186
7,334,285	B1 *	2/2008	Morad et al.	15/116.2
D572,868	S *	7/2008	McKay	D30/158
7,621,234	B2 *	11/2009	Roy	119/628
7,624,469	B2 *	12/2009	Specht et al.	15/119.2
7,640,893	B2 *	1/2010	Woods	119/613
D622,467	S *	8/2010	Martin	D32/40
7,856,690	B2 *	12/2010	Tuman et al.	15/104.002
2007/0192979	A1 *	8/2007	Knopow et al.	15/209.1

* cited by examiner

Primary Examiner — Kevin Rudzinski

(74) *Attorney, Agent, or Firm* — Sinorica, LLC

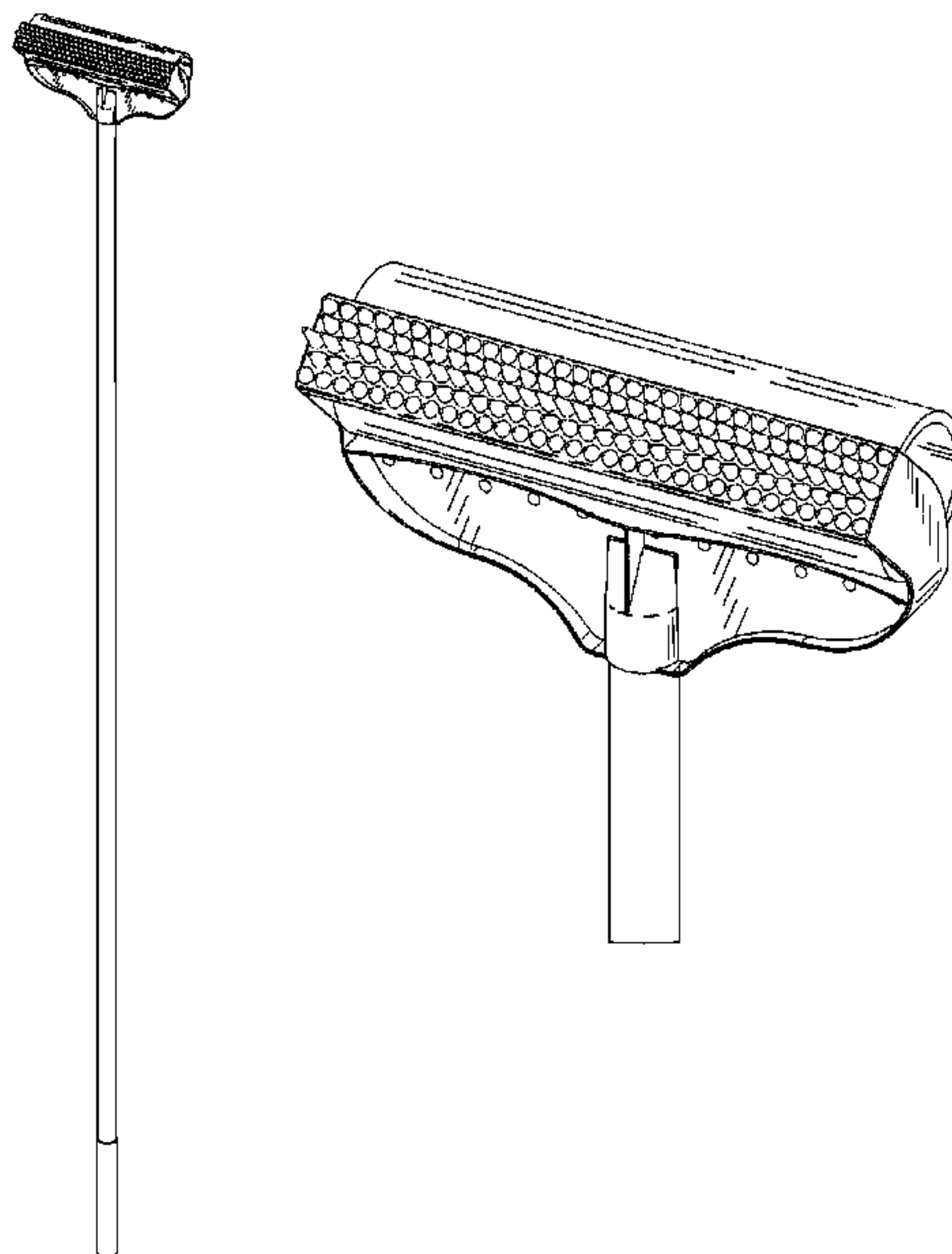
(57) **CLAIM**

The ornamental design for a hair/lint roller, as shown and described.

DESCRIPTION

FIG. 1 is a perspective view of a hair/lint roller; FIG. 2 is a front elevational view thereof; FIG. 3 is a rear elevational view thereof; FIG. 4 is a right-side elevational view thereof; FIG. 5 is a left-side elevational view thereof; FIG. 6 is a bottom plan view thereof; FIG. 7 is a top plan view thereof; FIG. 8 is a perspective view thereof showing the area upon which a zoom-in view taken and shown in FIG. 9; and, FIG. 9 is a zoom-in view thereof.

1 Claim, 4 Drawing Sheets



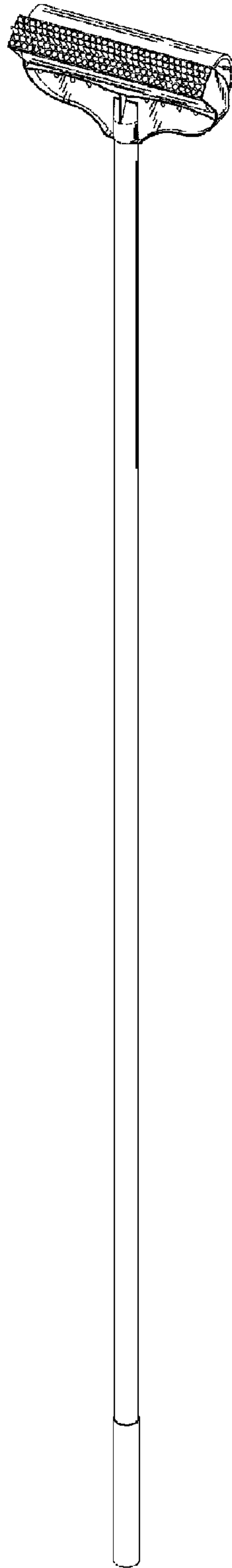


FIG. 1

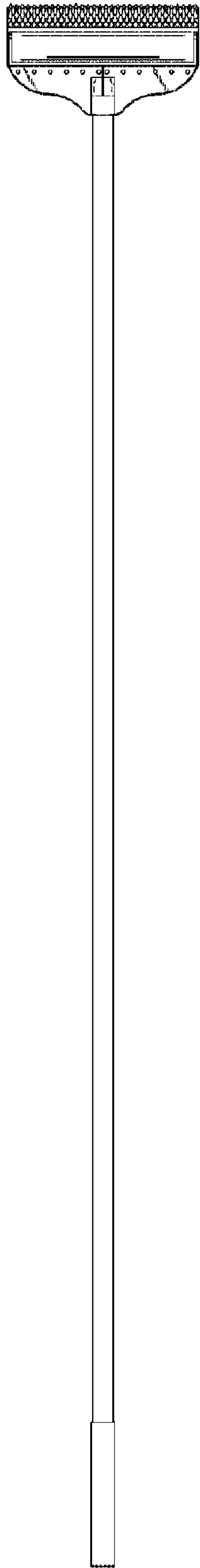


FIG. 2

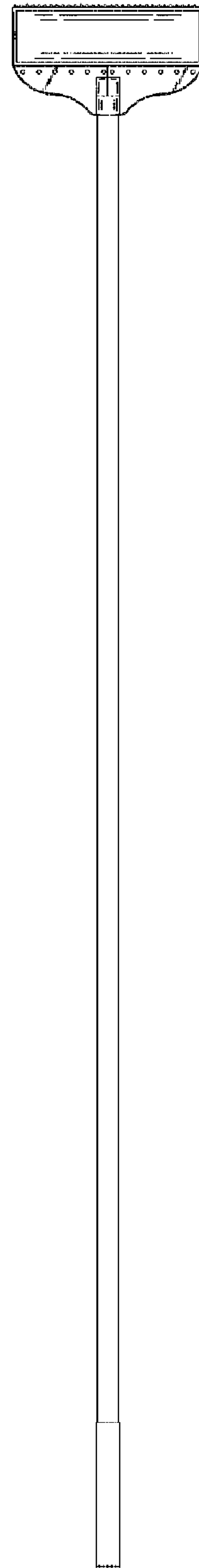


FIG. 3

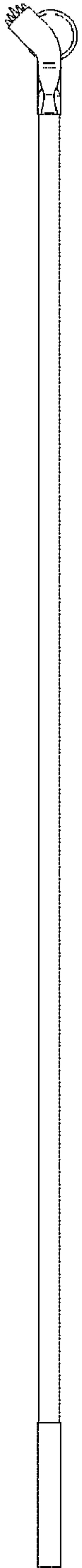


FIG. 4

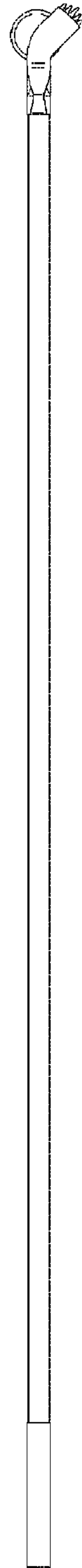


FIG. 5

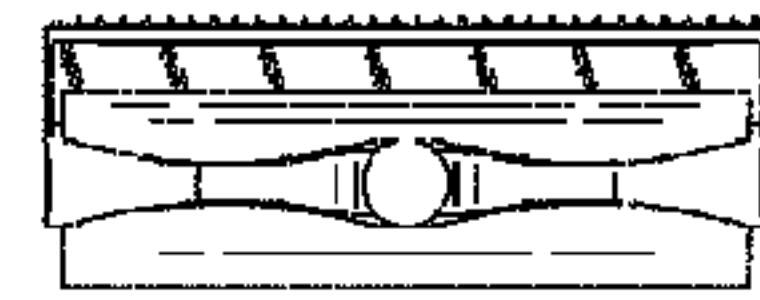


FIG. 6



FIG. 7

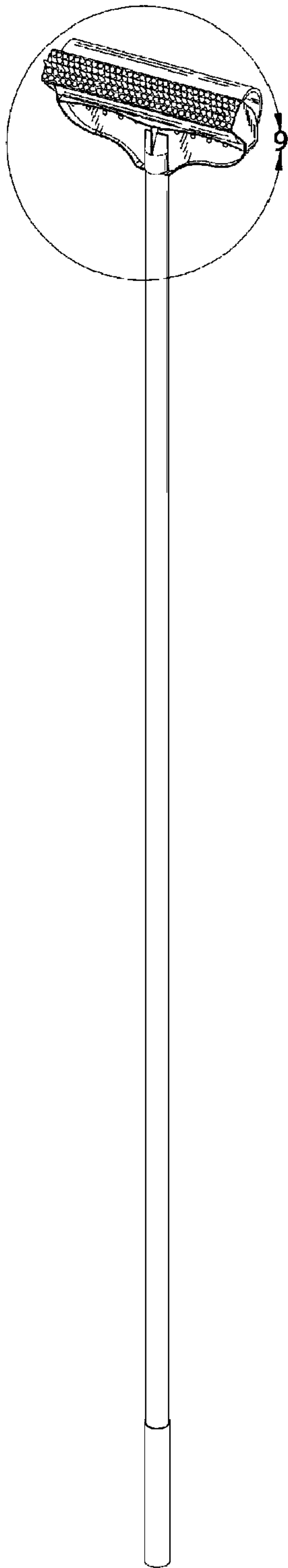


FIG. 8

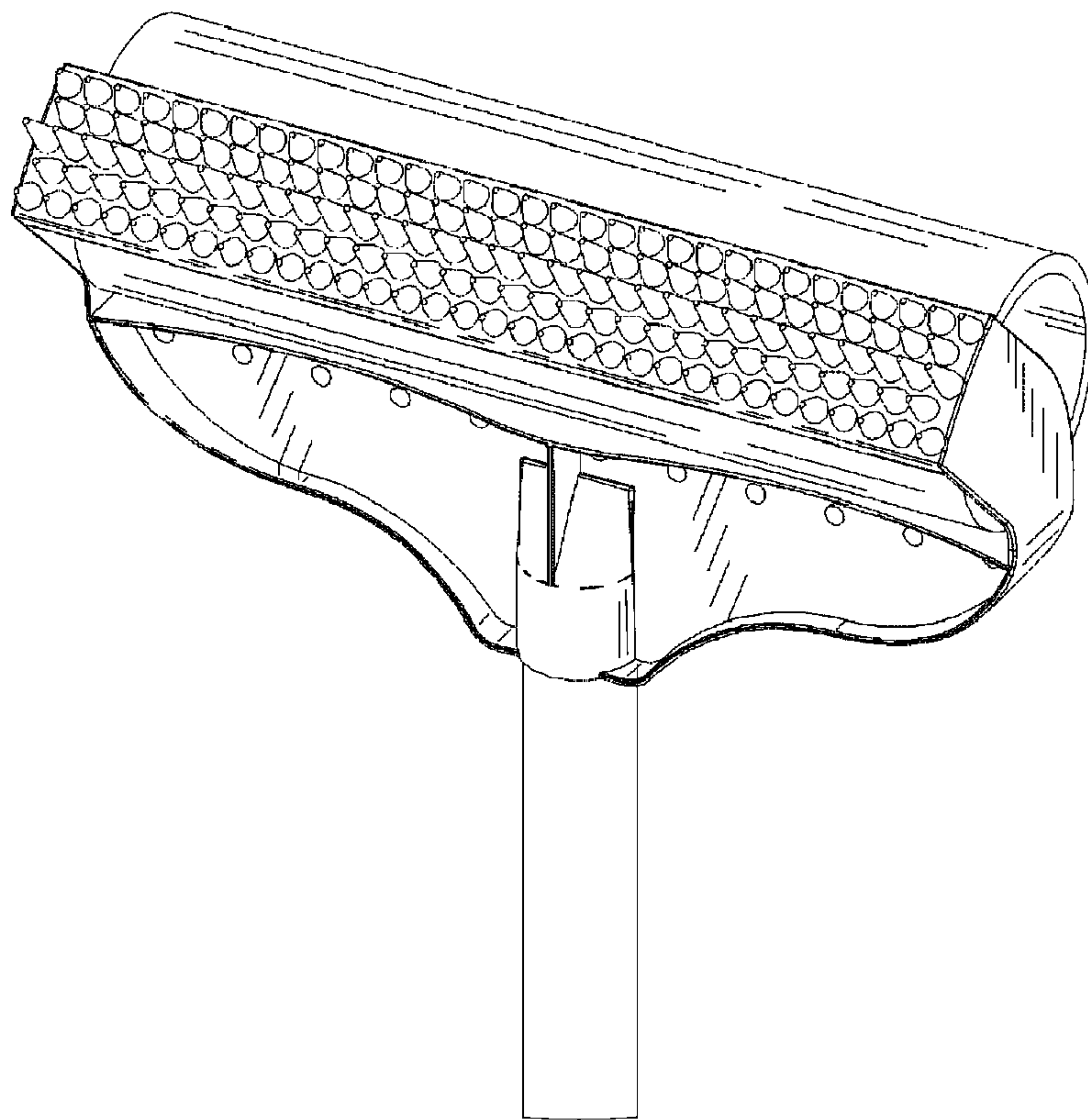


FIG. 9