



US00D654693S

(12) **United States Design Patent**  
**Freeman**

(10) **Patent No.:** **US D654,693 S**  
(45) **Date of Patent:** **\*\* Feb. 28, 2012**

(54) **CAP FOR A UTILITY BOX**

(75) Inventor: **Eric Freeman**, Lodi, CA (US)

(73) Assignee: **Oldcastle Precast, Inc.**, Auburn, WA (US)

(\*\*) Term: **14 Years**

(21) Appl. No.: **29/378,870**

(22) Filed: **Nov. 10, 2010**

(51) **LOC (9) Cl.** ..... **03-01**

(52) **U.S. Cl.** ..... **D3/318**

(58) **Field of Classification Search** ..... D3/318,  
D3/323, 313, 272, 294-295; D7/396.1; D9/435,  
D9/447; 220/697, 4.03, 698, 733  
See application file for complete search history.

(56) **References Cited**

**U.S. PATENT DOCUMENTS**

3,039,666	A *	6/1962	Carpenter, Sr.	229/5.7
3,974,599	A	8/1976	Grosh	
4,567,697	A	2/1986	Hahne	
4,973,191	A	11/1990	Dannhauser	
5,123,776	A	6/1992	Lang et al.	
D382,112	S *	8/1997	Egan	D3/273
5,697,729	A	12/1997	Bowman	
D394,550	S *	5/1998	Tanji	D3/273
5,829,215	A	11/1998	Billing	
D417,361	S *	12/1999	Mittmann et al.	D7/396.1
D426,064	S *	6/2000	Douglas et al.	D3/326
6,772,566	B1	8/2004	Machledt et al.	
6,899,240	B2	5/2005	Dang et al.	
D510,802	S *	10/2005	Sagol	D3/273
D531,802	S *	11/2006	Zimmerman	D3/302
7,163,352	B2	1/2007	Jurich et al.	
7,385,137	B2	6/2008	Burke et al.	
7,467,910	B2	12/2008	Lecuyer et al.	
D606,306	S *	12/2009	Monte	D3/273
7,748,926	B2	7/2010	Jurich et al.	

D622,061	S *	8/2010	Higginson	D3/302
2007/0194493	A1	8/2007	Jurich et al.	
2010/0296865	A1	11/2010	Jurich et al.	
2010/0329782	A1	12/2010	Miller et al.	

**FOREIGN PATENT DOCUMENTS**

EP 0529178 3/1993

**OTHER PUBLICATIONS**

Brooks Products Meter Boxes and Pull Boxes found at <http://www.brooksproducts.net/Default.aspx?PageID=3>, Rev. Dwg. Date Dec. 6, 2000, 17 pages.

Brooks Products Meter Boxes and Pull Boxes found at <http://www.brooksproducts.net/Default.aspx?PageID=3>, Rev. Dwg. Date Jan. 9, 2001, 4 pages.

\* cited by examiner

*Primary Examiner* — Holly Baynham

(74) *Attorney, Agent, or Firm* — Sheridan Ross P.C.

(57) **CLAIM**

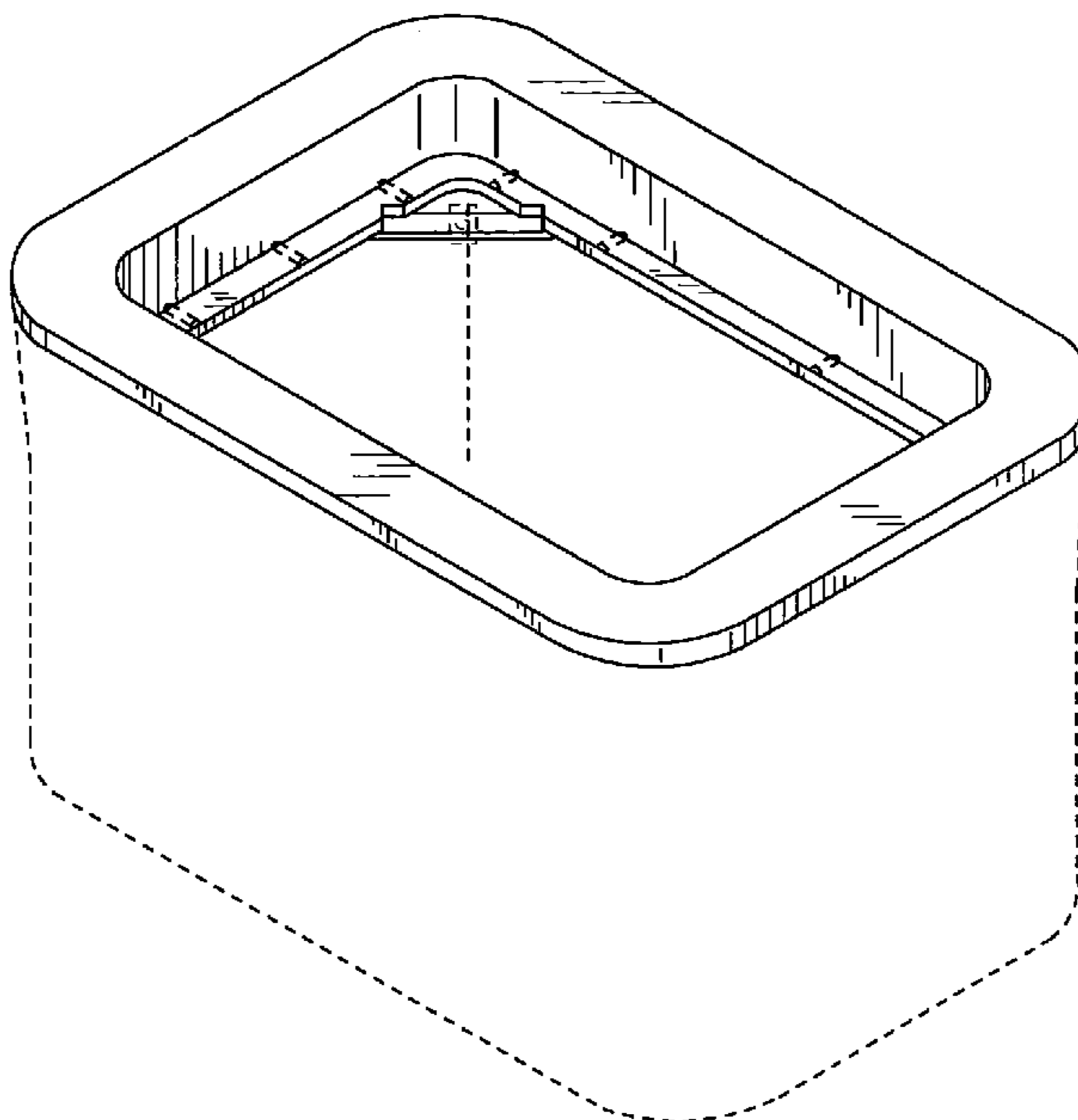
The ornamental design for a cap for a utility box, as shown and described.

**DESCRIPTION**

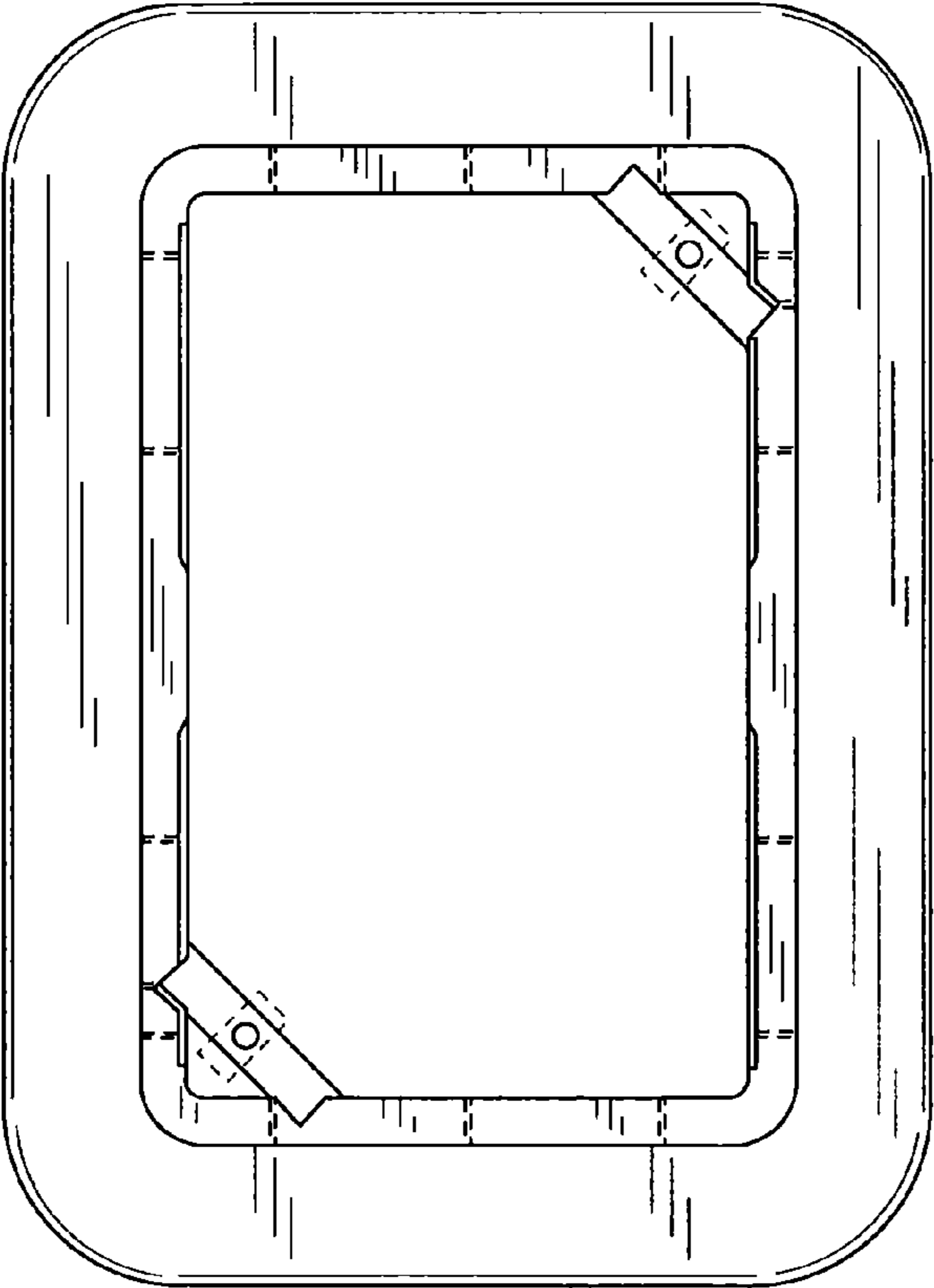
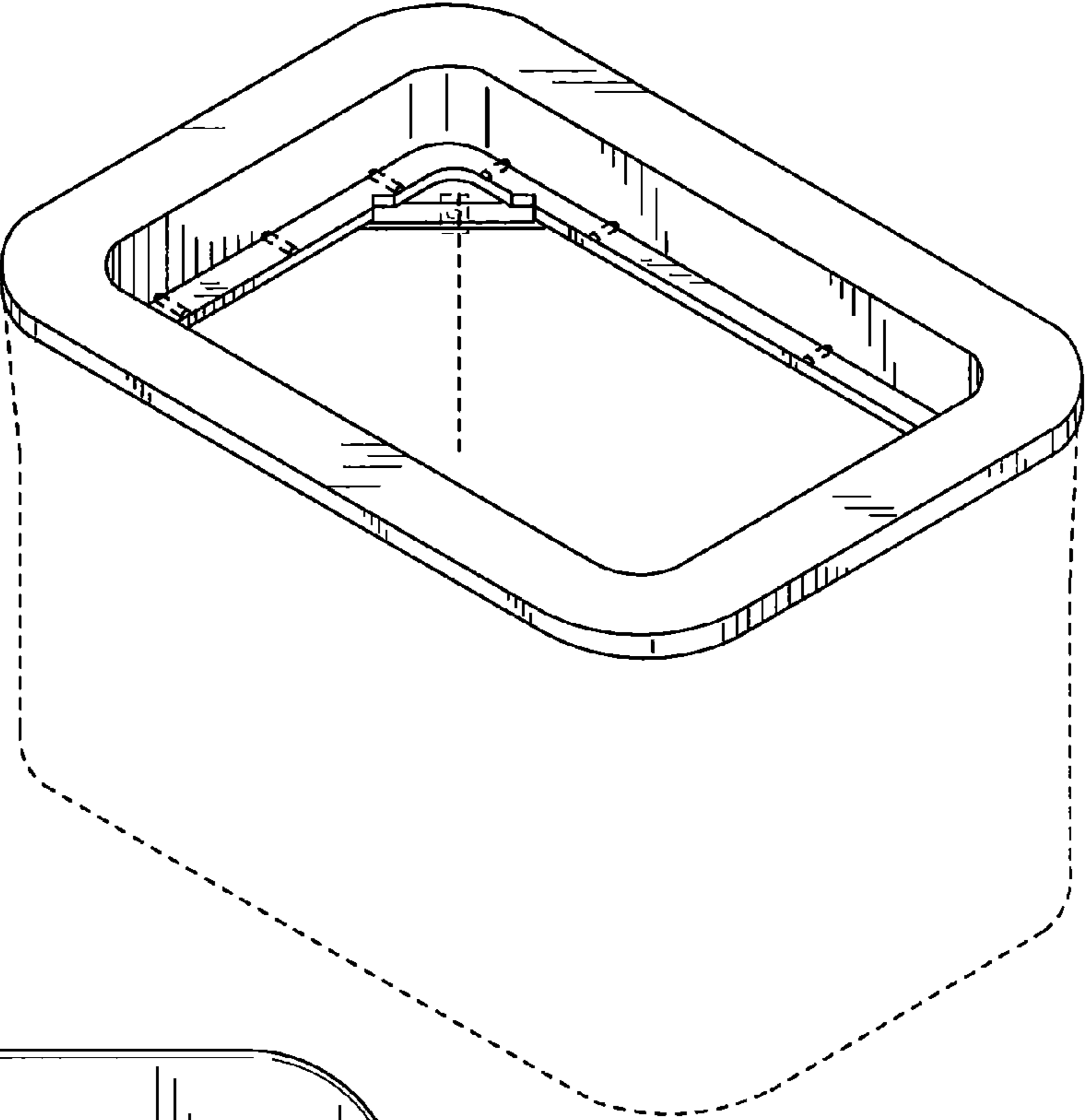
FIG. 1 is a front perspective view of a cap for a utility box; FIG. 2 is a top plan view thereof; FIG. 3 is a right elevation view thereof; FIG. 4 is a front elevation view thereof; FIG. 5 is a bottom plan view thereof; FIG. 6 is a rear elevation view thereof; and, FIG. 7 is a left elevation view thereof.

The broken lines showing structure are for the purposes of illustrating environment and form no part of the claimed design.

**1 Claim, 2 Drawing Sheets**



**Fig. 1**



**Fig. 2**

