



US00D654690S

(12) **United States Design Patent**  
**Sofy et al.**

(10) **Patent No.:** **US D654,690 S**  
(45) **Date of Patent:** **\*\* Feb. 28, 2012**

- (54) **STORAGE CONTAINER**
- (75) Inventors: **Janet M. Sofy**, Troy, MI (US); **Robert T. Solomon**, Ray, MI (US)
- (73) Assignee: **HMS Manufacturing Co.**, Troy, MI (US)
- (\*\*) Term: **14 Years**
- (21) Appl. No.: **29/377,293**
- (22) Filed: **Oct. 20, 2010**
- (51) **LOC (9) Cl.** ..... **03-01**
- (52) **U.S. Cl.** ..... **D3/309**
- (58) **Field of Classification Search** ..... D3/304–309, D3/314–315; D7/601, 605; D9/424–425, D9/429; 206/503, 505, 507; 220/519–520, 220/508, 675  
See application file for complete search history.

- D420,219 S \* 2/2000 Elvin-Jensen et al. .... D3/305
- D420,799 S \* 2/2000 Douglas et al. .... D3/314
- D421,183 S \* 2/2000 Koskinen ..... D3/312
- D427,769 S 7/2000 Zimmerman
- D427,770 S \* 7/2000 Conti ..... D3/314
- D429,464 S \* 8/2000 Helms ..... D9/431
- D431,362 S \* 10/2000 Conti ..... D3/314

(Continued)

**OTHER PUBLICATIONS**

Sterilite Corporation Website Re: Latch Boxes Dated Apr. 23, 2010.

*Primary Examiner* — Elizabeth Albert

*Assistant Examiner* — Kelley Donnelly

(74) *Attorney, Agent, or Firm* — Harold W. Milton, Jr.; Dickinson Wright PLLC

(57) **CLAIM**

The ornamental design for a storage container, as shown and described.

(56) **References Cited**

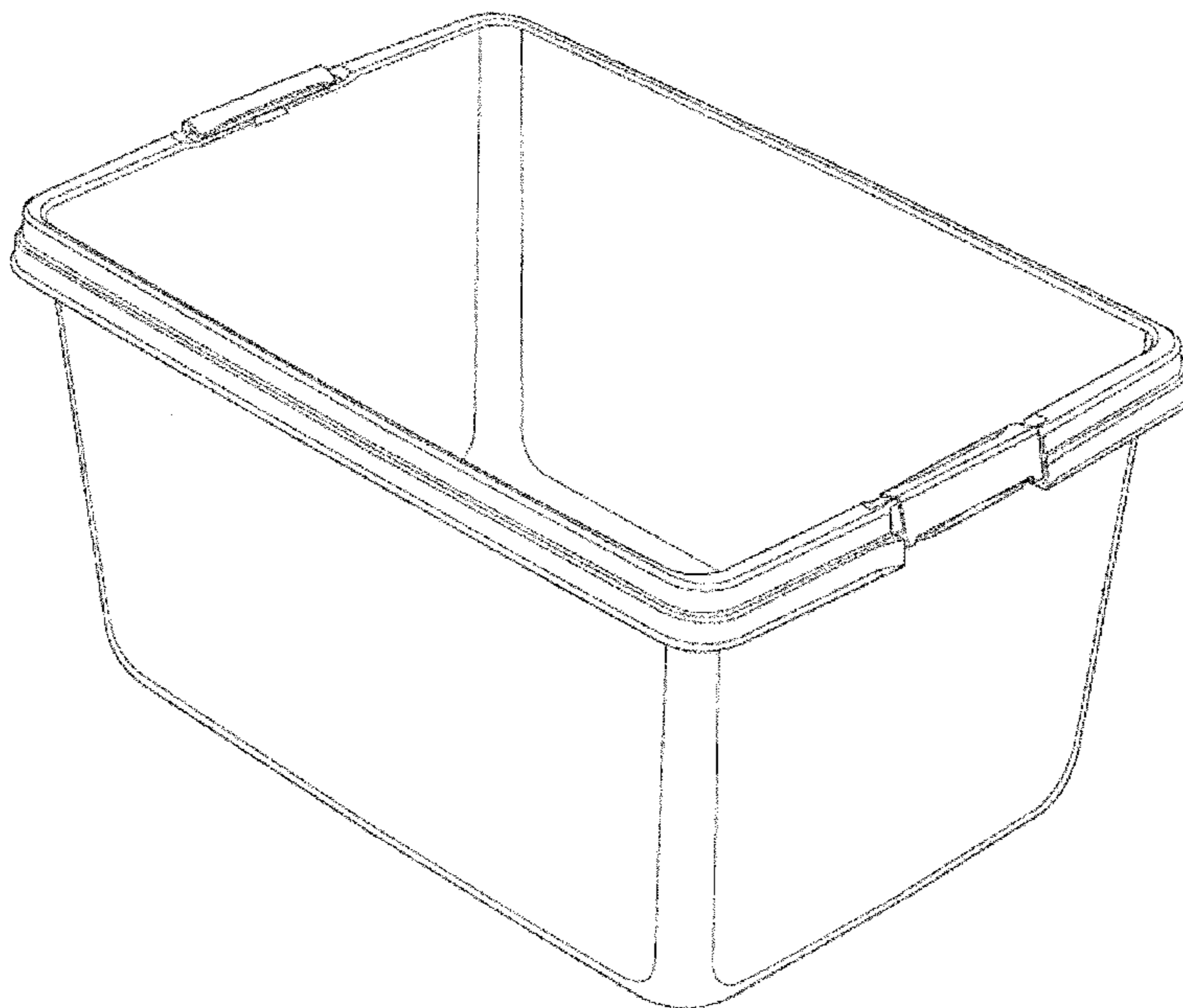
**U.S. PATENT DOCUMENTS**

- 3,447,715 A \* 6/1969 Beney ..... 206/507
- 4,499,998 A 2/1985 Carlson
- D302,774 S \* 8/1989 Murphy ..... D7/629
- 5,040,834 A 8/1991 Kahl et al.
- D326,345 S \* 5/1992 Mandell et al. .... D3/312
- D351,284 S \* 10/1994 Kruger ..... D3/314
- D357,120 S \* 4/1995 Miller ..... D3/312
- D363,604 S \* 10/1995 Koenig et al. .... D3/312
- D367,760 S \* 3/1996 Zimmerman ..... D3/314
- D370,346 S \* 6/1996 Zimmerman ..... D3/314
- D372,123 S \* 7/1996 Kobilarcik et al. .... D3/312
- D375,836 S \* 11/1996 Conti ..... D3/304
- D378,552 S 3/1997 Lippisch
- D384,204 S 9/1997 Lippisch
- D398,151 S \* 9/1998 Ahern, Jr. .... D3/304
- 5,904,269 A 5/1999 Wolff

**DESCRIPTION**

FIG. 1 is a perspective view of the storage container; FIG. 2 is an enlarged view of the handle shown in FIG. 1; FIG. 3 is a top view of the storage container of FIG. 1; FIG. 4 is a bottom view of the of the storage container of FIG. 1; FIG. 5 is a side view of the storage container of FIG. 1; FIG. 6 is an end view of the storage container of FIG. 1; FIG. 7 is a perspective view of the of the storage container of FIG. 1 showing the interior depth of the storage container of FIG. 1; and, FIG. 8 is a perspective view of the storage container of FIG. 1 showing the bottom of the storage container of FIG. 1.

**1 Claim, 8 Drawing Sheets**



# US D654,690 S

Page 2

---

U.S. PATENT DOCUMENTS							
D439,406	S	3/2001	Zimmerman	D549,454	S *	8/2007	Åhman ..... D3/304
D466,299	S	12/2002	Zimmerman	D564,229	S *	3/2008	Splain et al. .... D3/309
6,874,650	B2 *	4/2005	Welsh et al. .... 220/519	D572,903	S *	7/2008	McNamara et al. .... D3/302
							* cited by examiner

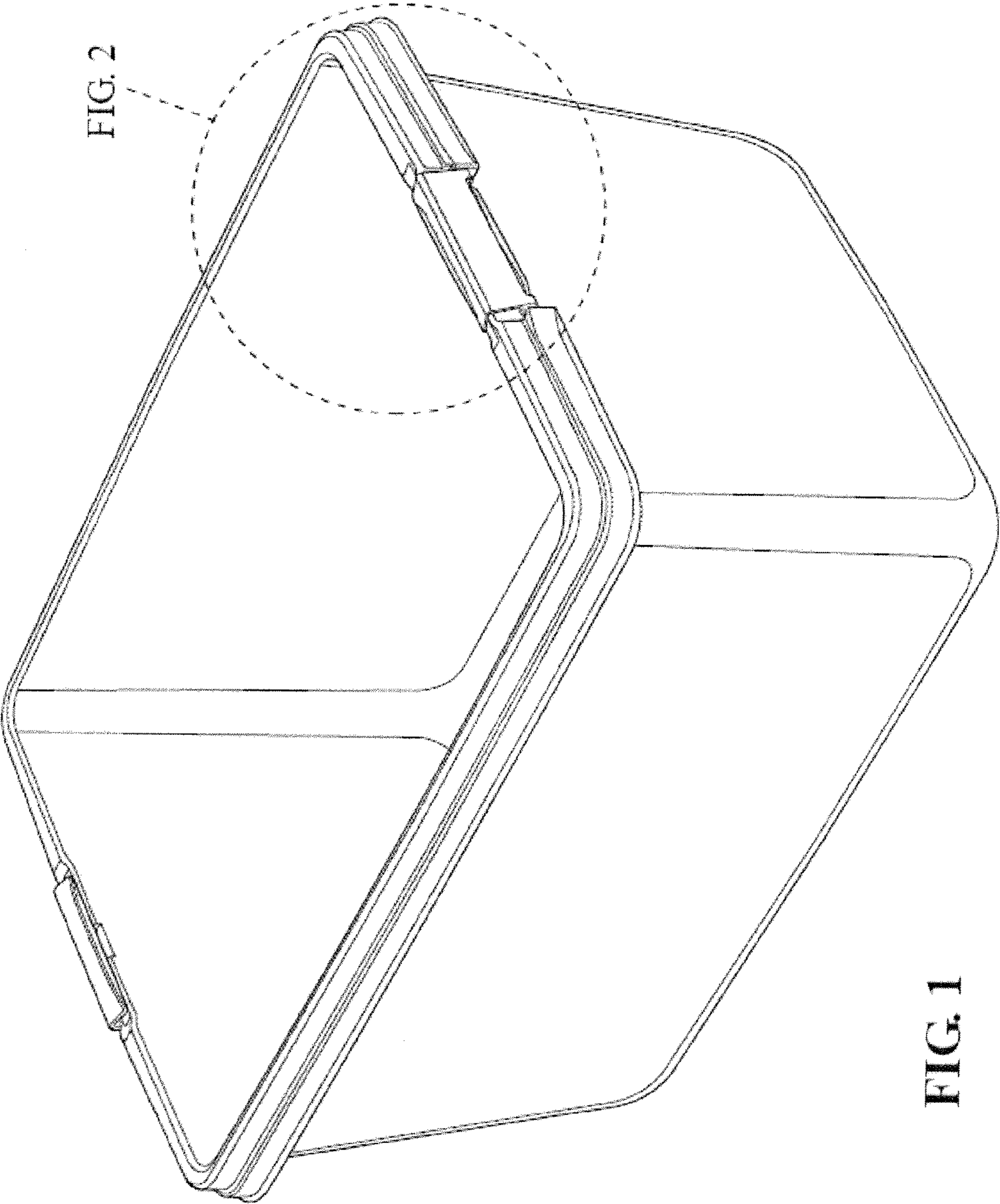


FIG. 2

FIG. 1

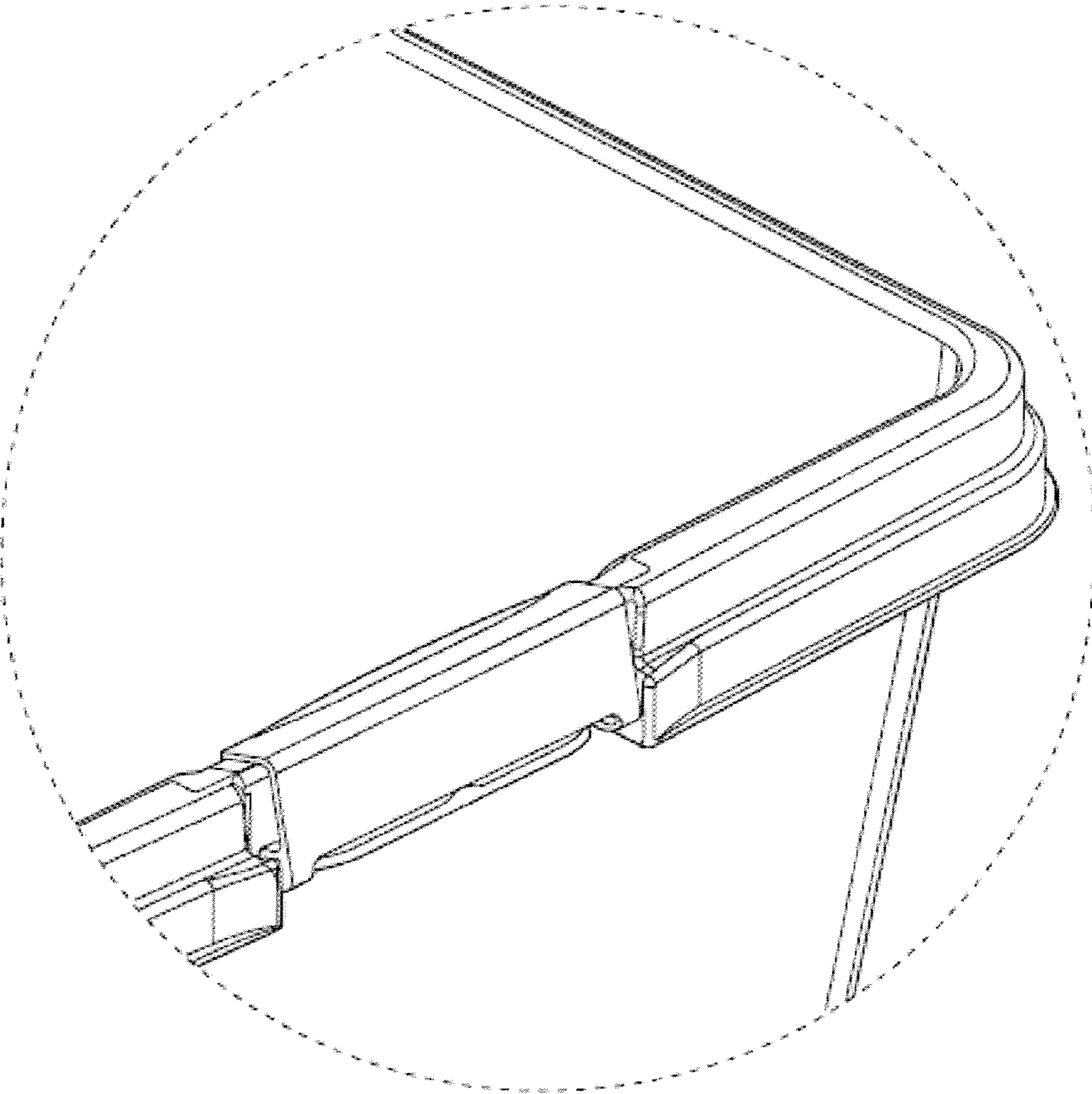


FIG. 2

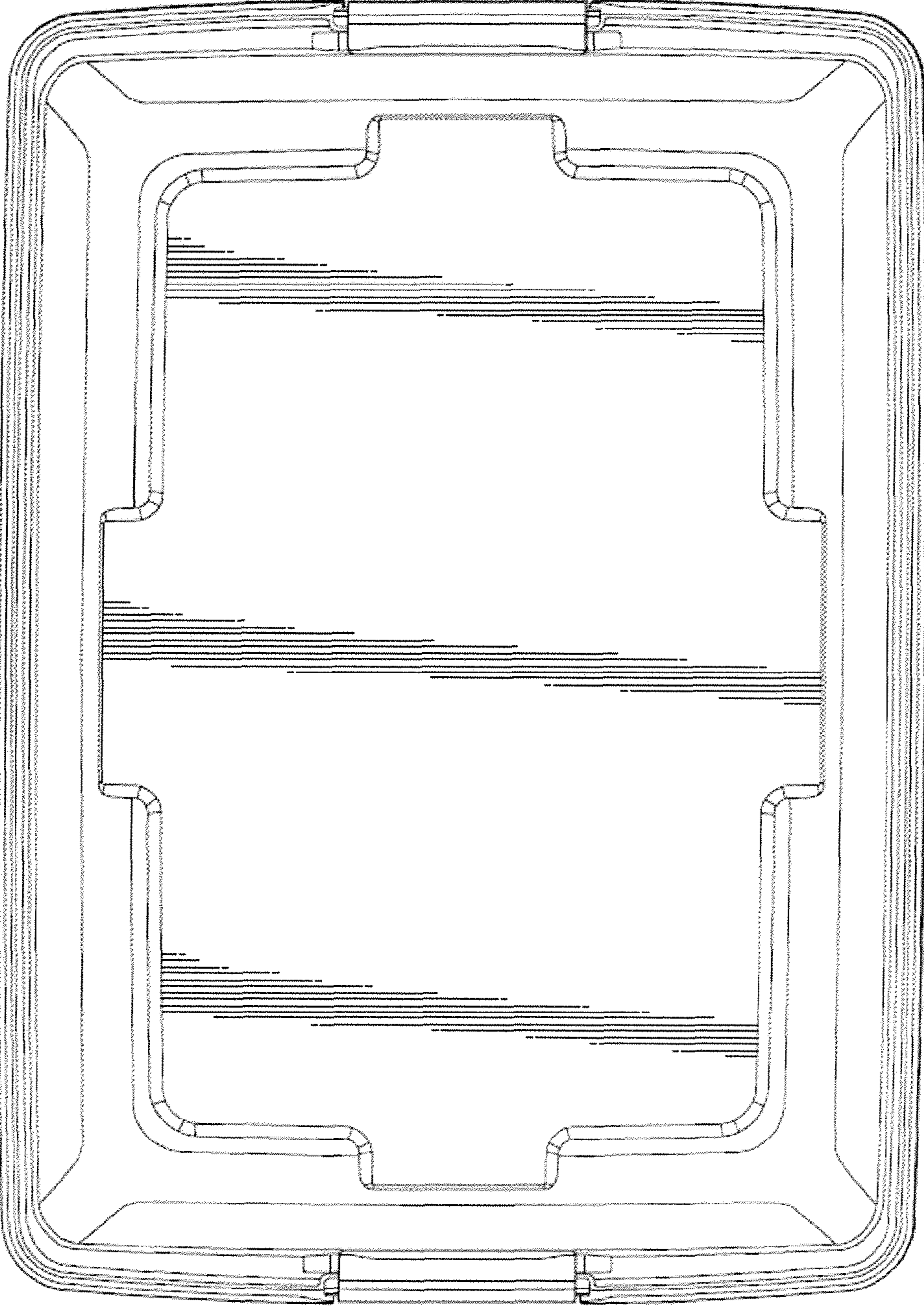


FIG. 3

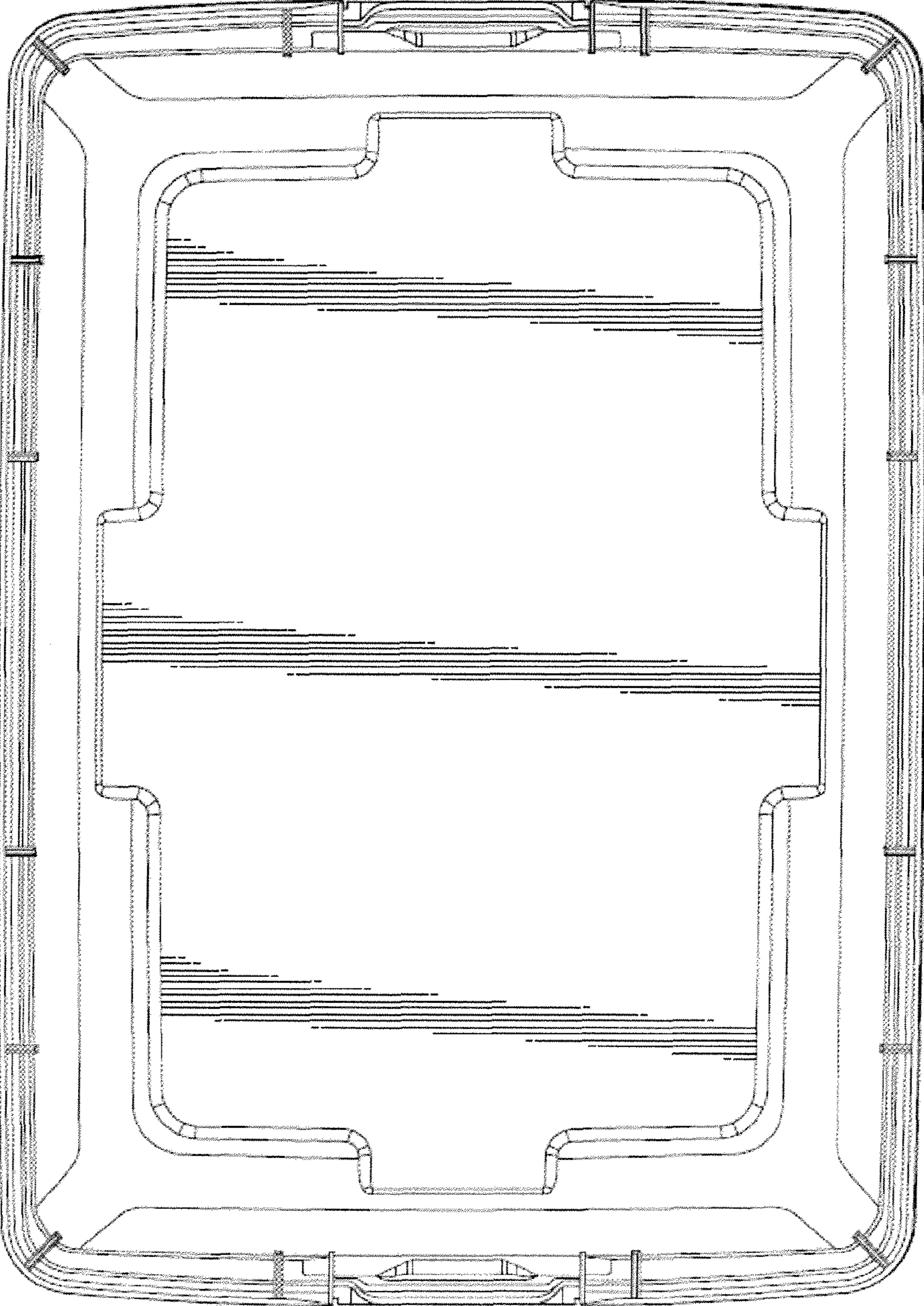


FIG. 4

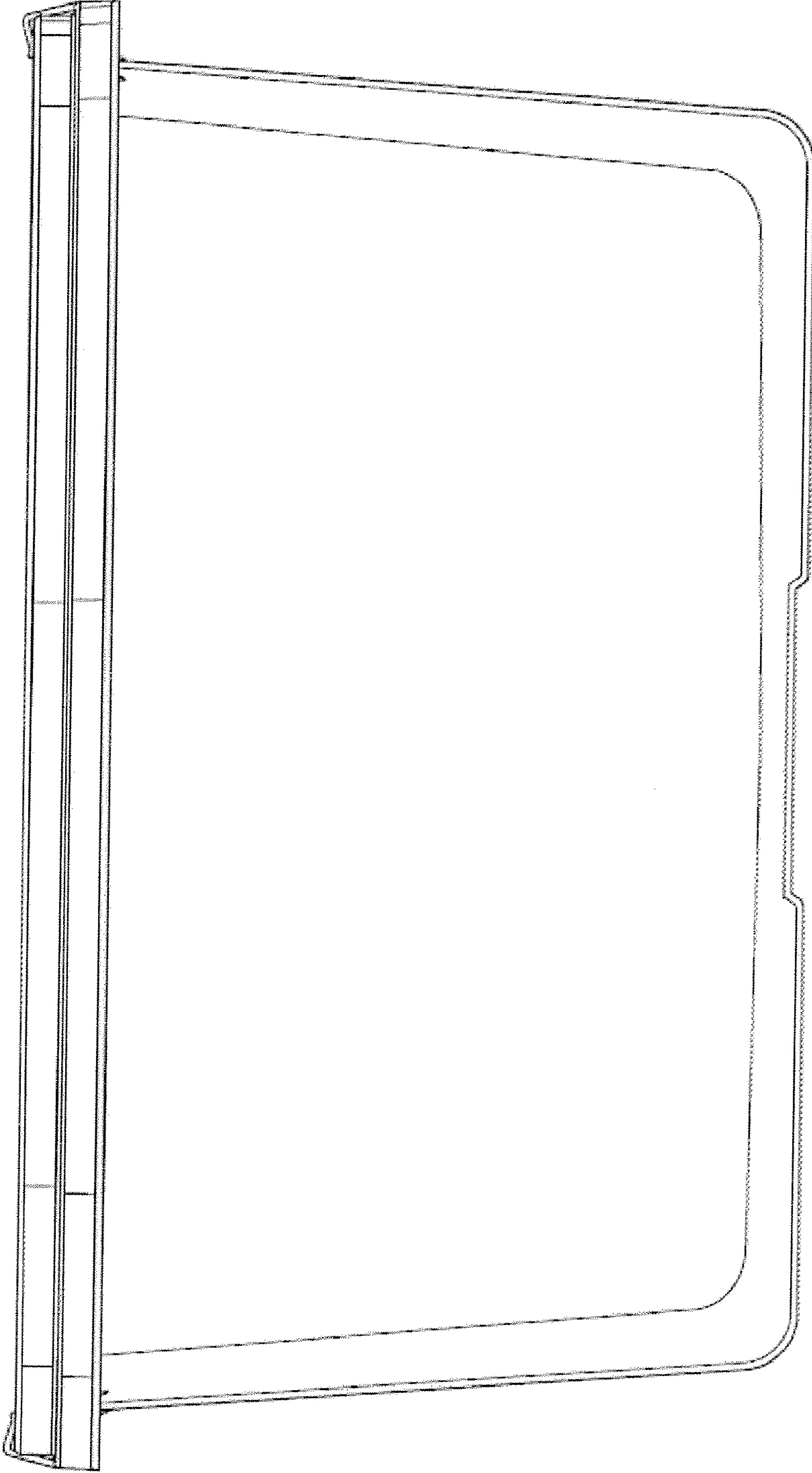


FIG. 5

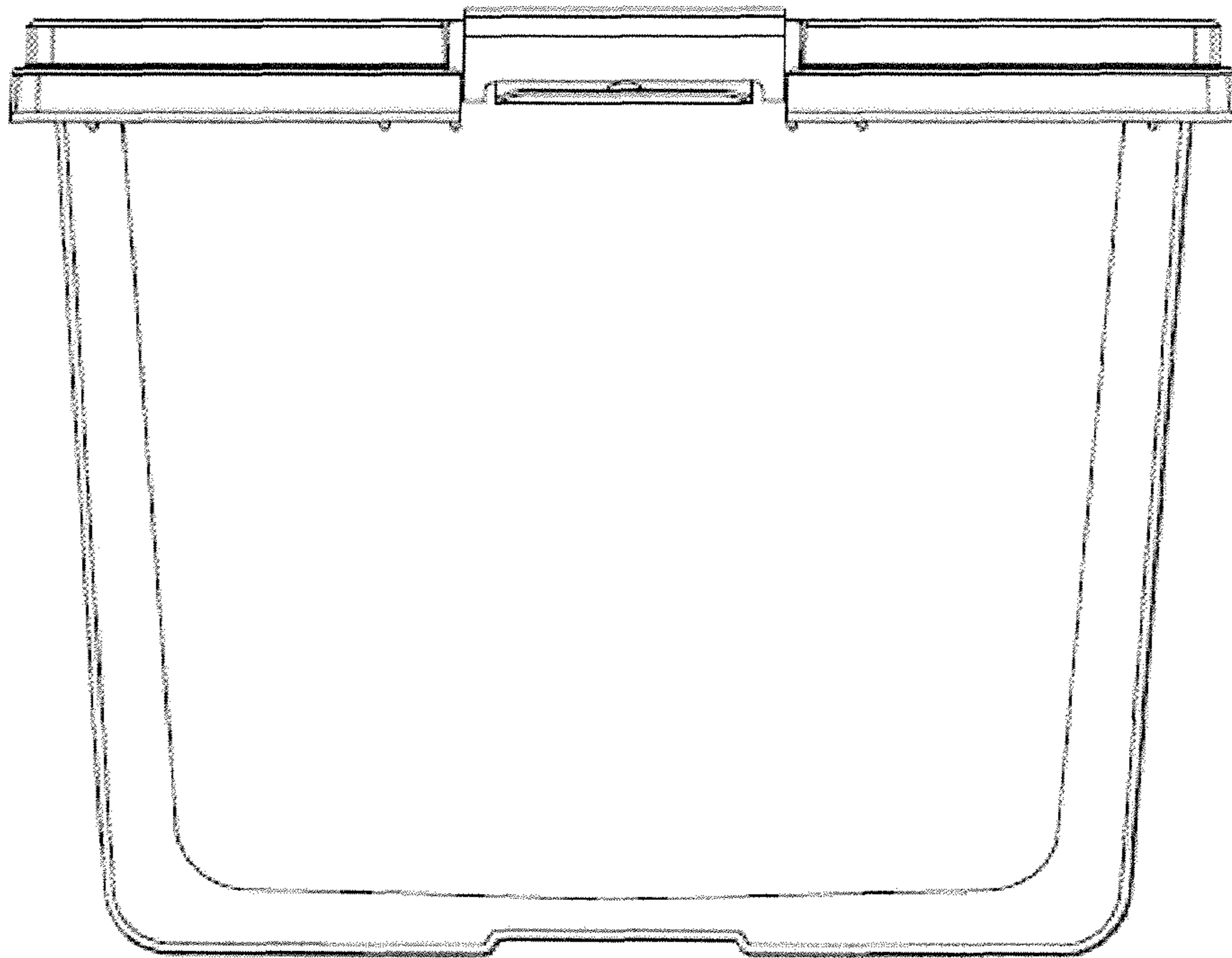


FIG. 6



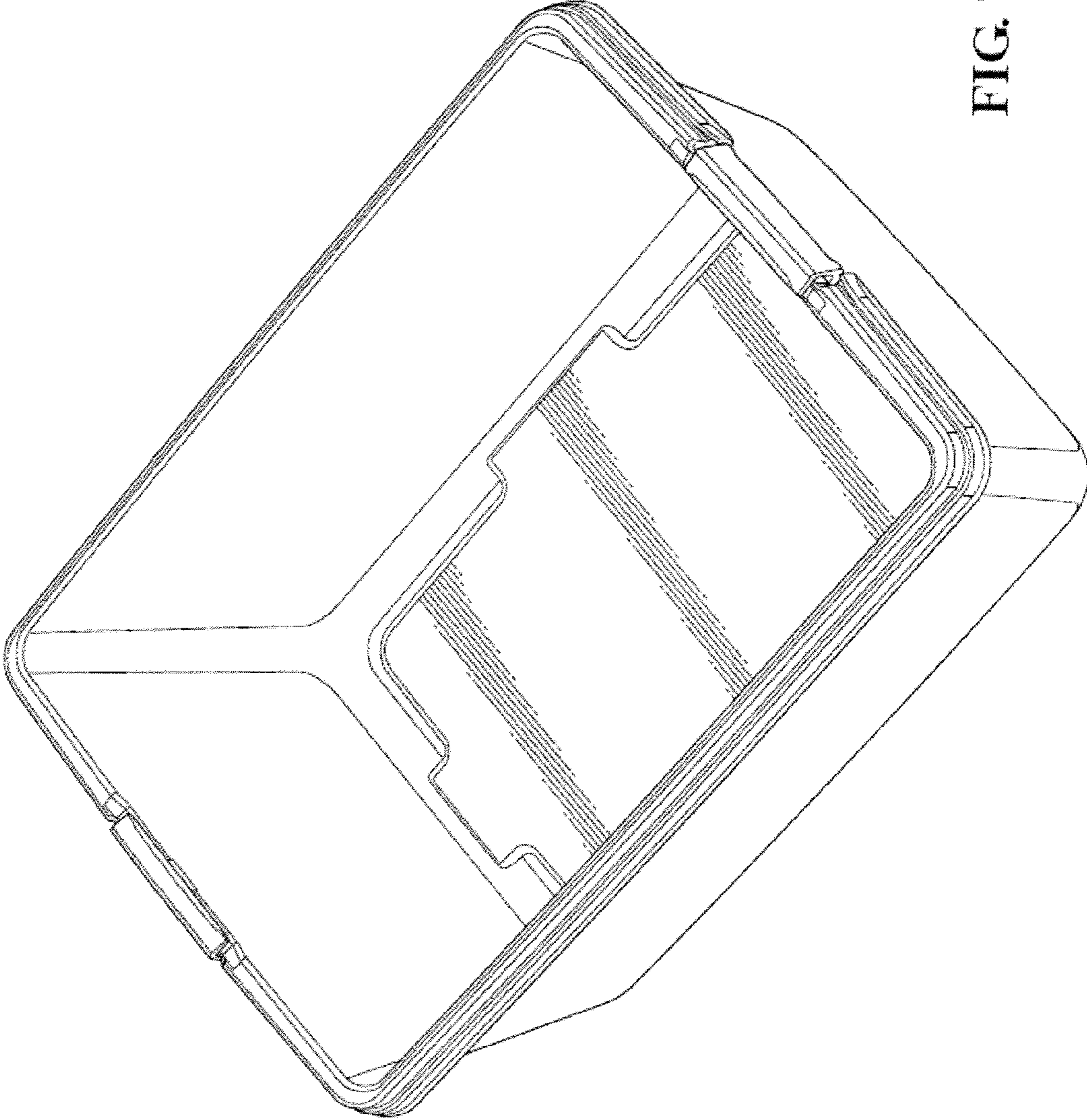


FIG. 7

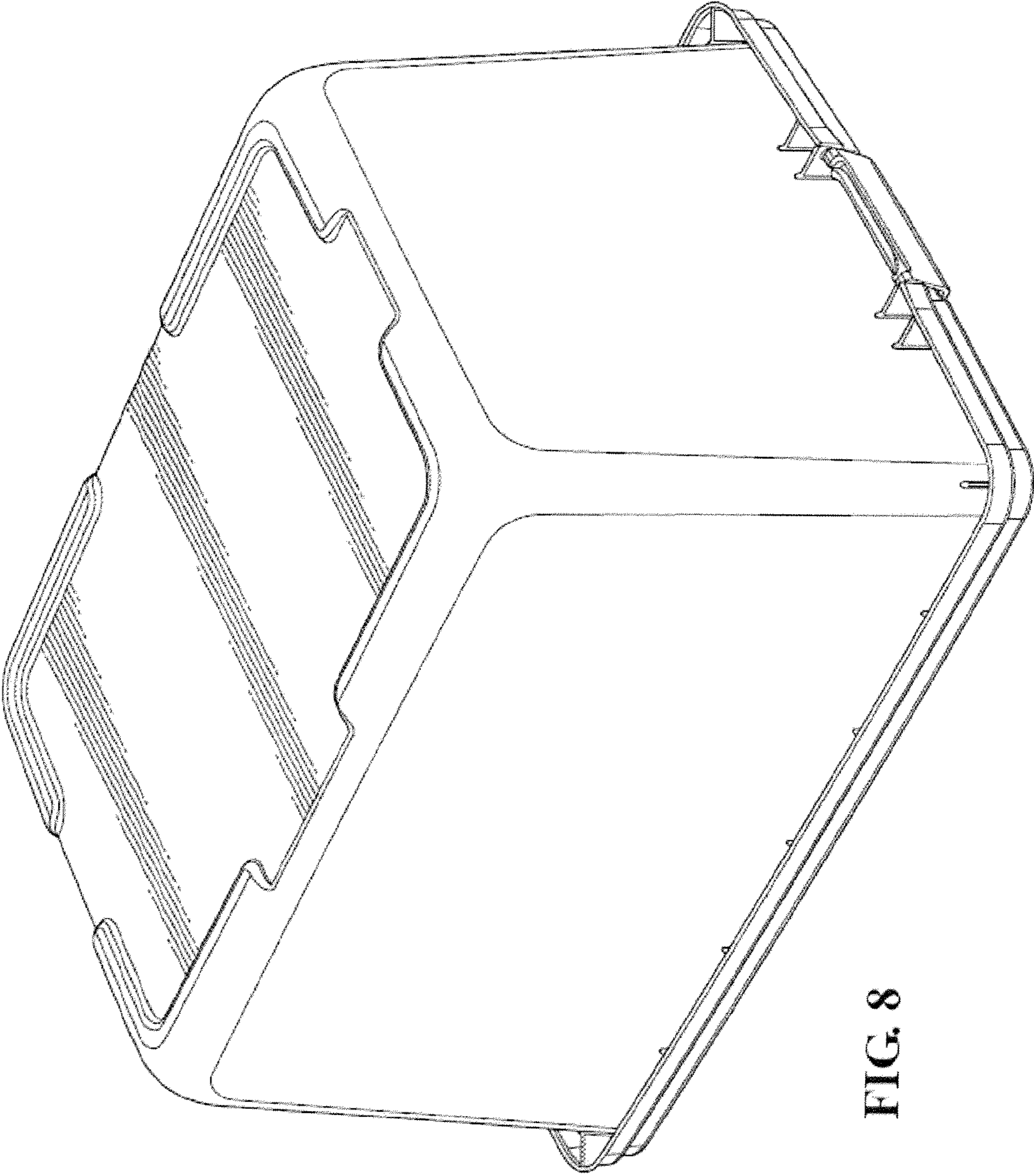


FIG. 8