



US00D654689S

(12) **United States Design Patent**  
**Chan**

(10) **Patent No.:** **US D654,689 S**

(45) **Date of Patent:** **\*\* Feb. 28, 2012**

(54) **CAMERA CASE**

(76) Inventor: **Ching Por Chan, Sheung Wan (HK)**

(\*\*) Term: **14 Years**

(21) Appl. No.: **29/366,596**

(22) Filed: **Jul. 27, 2010**

(51) **LOC (9) Cl.** ..... **03-01**

(52) **U.S. Cl.** ..... **D3/267; D3/268**

(58) **Field of Classification Search** ..... D3/267,  
D3/263, 268, 201, 202, 219, 233, 243, 265,  
D3/276; 224/908, 673; 206/316.1, 316.2;  
248/187.1; 292/DIG. 48

See application file for complete search history.

(56) **References Cited**

**U.S. PATENT DOCUMENTS**

D107,101 S *	11/1937	Sanborn	.....	D3/267
D174,536 S *	4/1955	Eckhardt et al.	.....	D3/268
D200,990 S *	4/1965	Lang	.....	D3/267
D200,991 S *	4/1965	Lang	.....	D3/267
D234,982 S *	4/1975	Tomatsuri	.....	D3/267
3,910,470 A *	10/1975	Swenson et al.	.....	224/610
D242,182 S *	11/1976	Davis	.....	D3/321
D247,760 S *	4/1978	Rausch	.....	D3/267
D276,573 S *	12/1984	Yamamoto et al.	.....	D3/267
D334,840 S *	4/1993	Lin	.....	D3/271.1
D338,330 S *	8/1993	Kohno et al.	.....	D3/267
D369,240 S *	4/1996	Newby, Sr.	.....	D3/268
D381,902 S *	8/1997	Chapman et al.	.....	D9/433
D409,213 S *	5/1999	Bae	.....	D16/202
D419,296 S *	1/2000	Shinano	.....	D3/267
D448,395 S *	9/2001	Bahrami	.....	D16/200

D495,135 S *	8/2004	Hillman	.....	D3/267
D542,031 S *	5/2007	Zapata	.....	D3/267
D616,479 S *	5/2010	Ganahl, Jr.	.....	D16/204

\* cited by examiner

*Primary Examiner* — John Windmuller

(74) *Attorney, Agent, or Firm* — McNeely, Hare & War LLP;  
Kevin J. McNeely

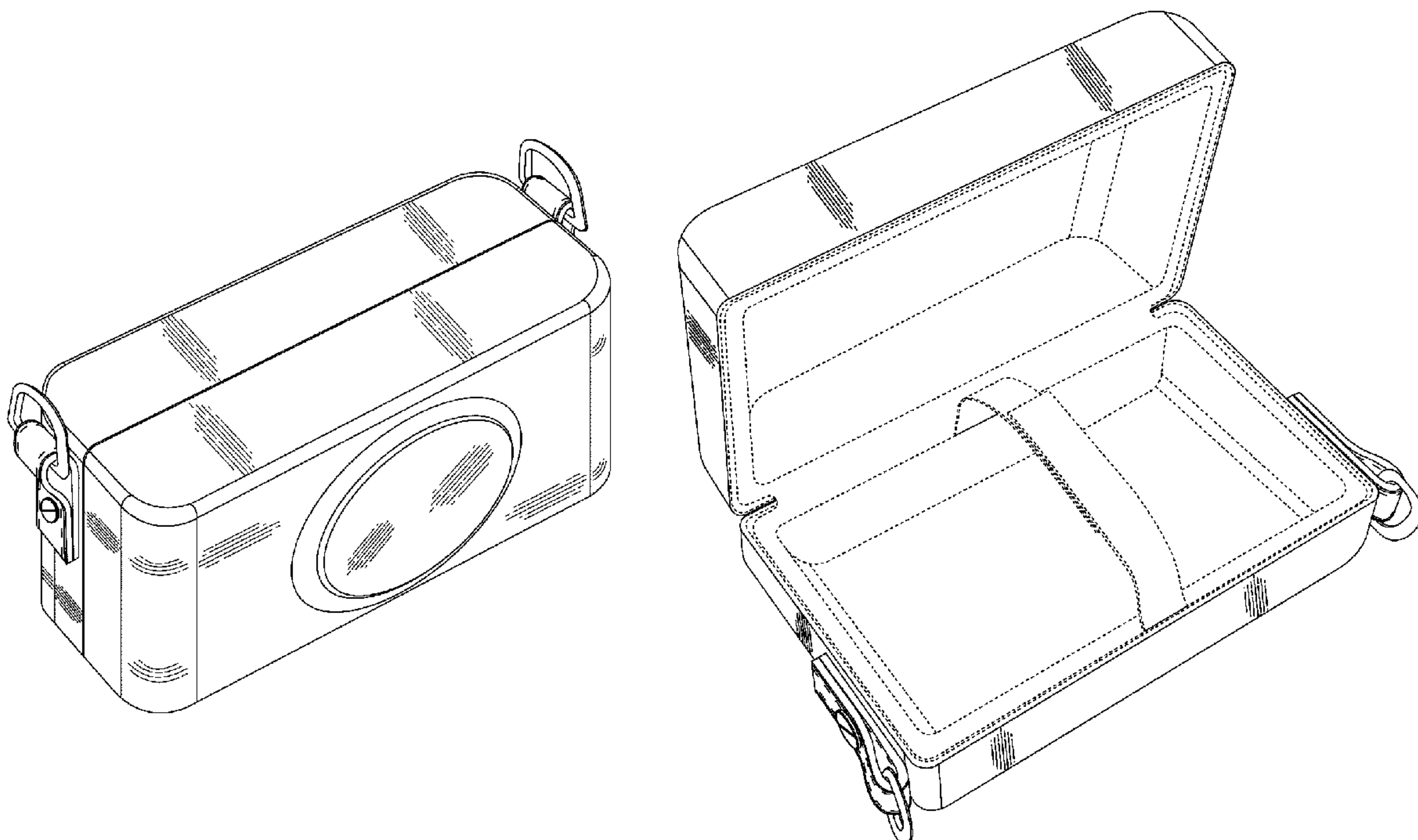
(57) **CLAIM**

The ornamental design for a camera case, as shown and described.

**DESCRIPTION**

FIG. 1 is a perspective view of the camera case showing the new design;  
 FIG. 2 is a front view of the camera case;  
 FIG. 3 is a rear view of the camera case;  
 FIG. 4 is a right side view of the camera case;  
 FIG. 5 is a left side view of the camera case;  
 FIG. 6 is a top view of the camera case;  
 FIG. 7 is a bottom view of the camera case;  
 FIG. 8 is a perspective view of the camera case with a carrying strap shown in dashed lines; and,  
 FIG. 9 is a perspective view of the camera case in an open position with internal features in dashed lines.  
 The ornamental design which is claimed is shown in solid lines in the drawings. The dashed (broken) lines in the drawings are for illustrative purposes only and form no part of the claimed design.

**1 Claim, 6 Drawing Sheets**



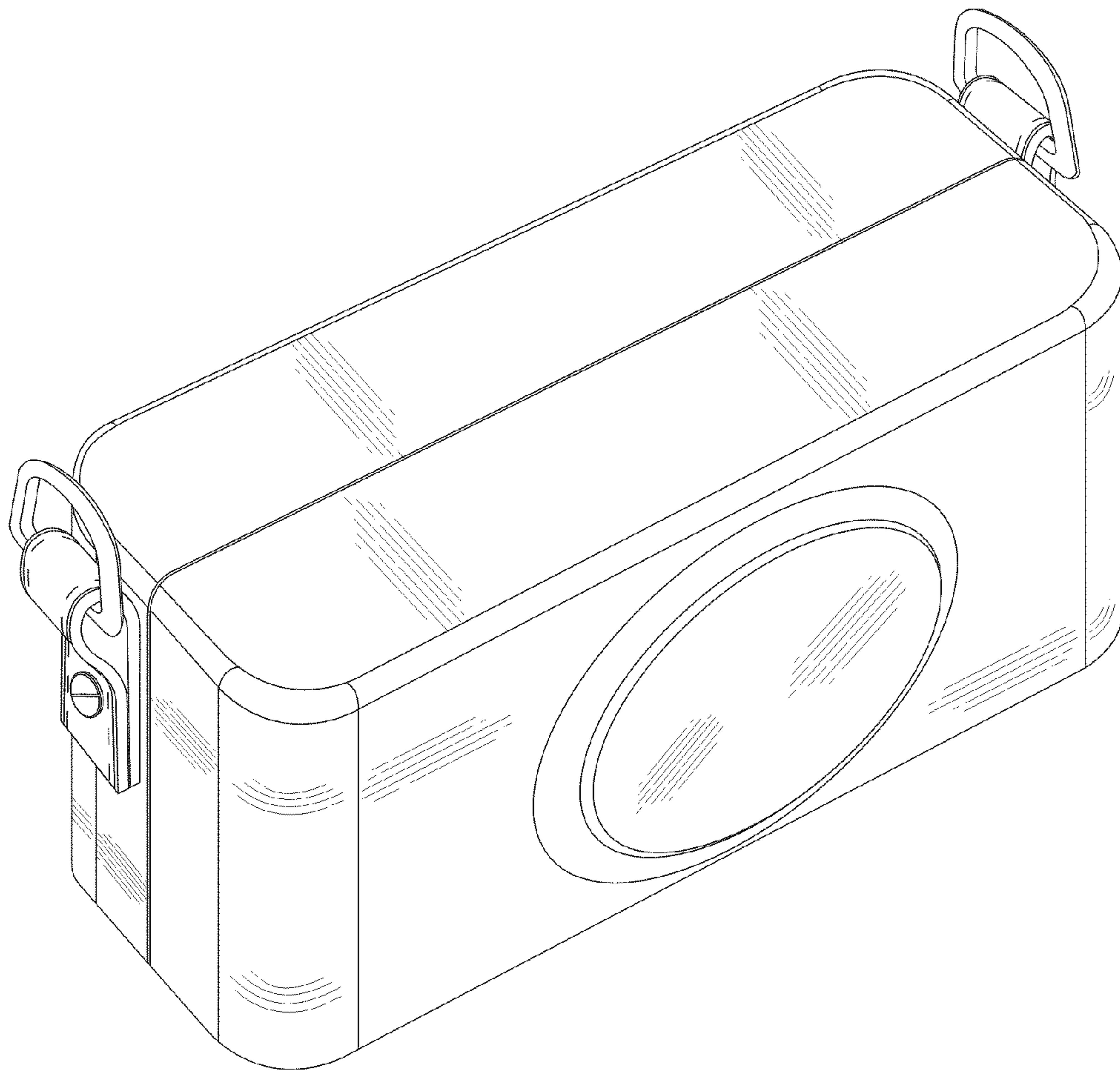


Fig. 1

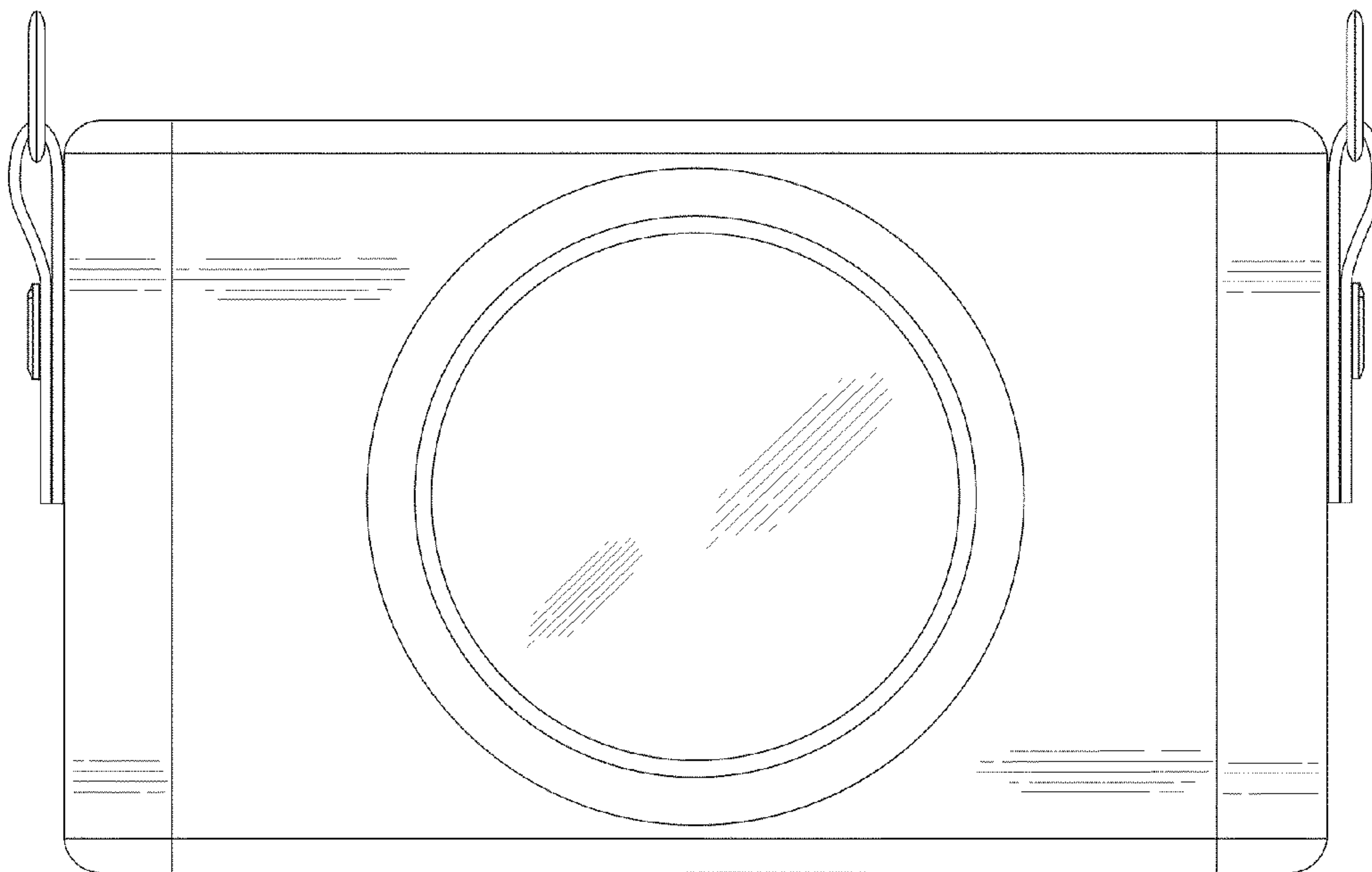


Fig. 2



Fig. 3

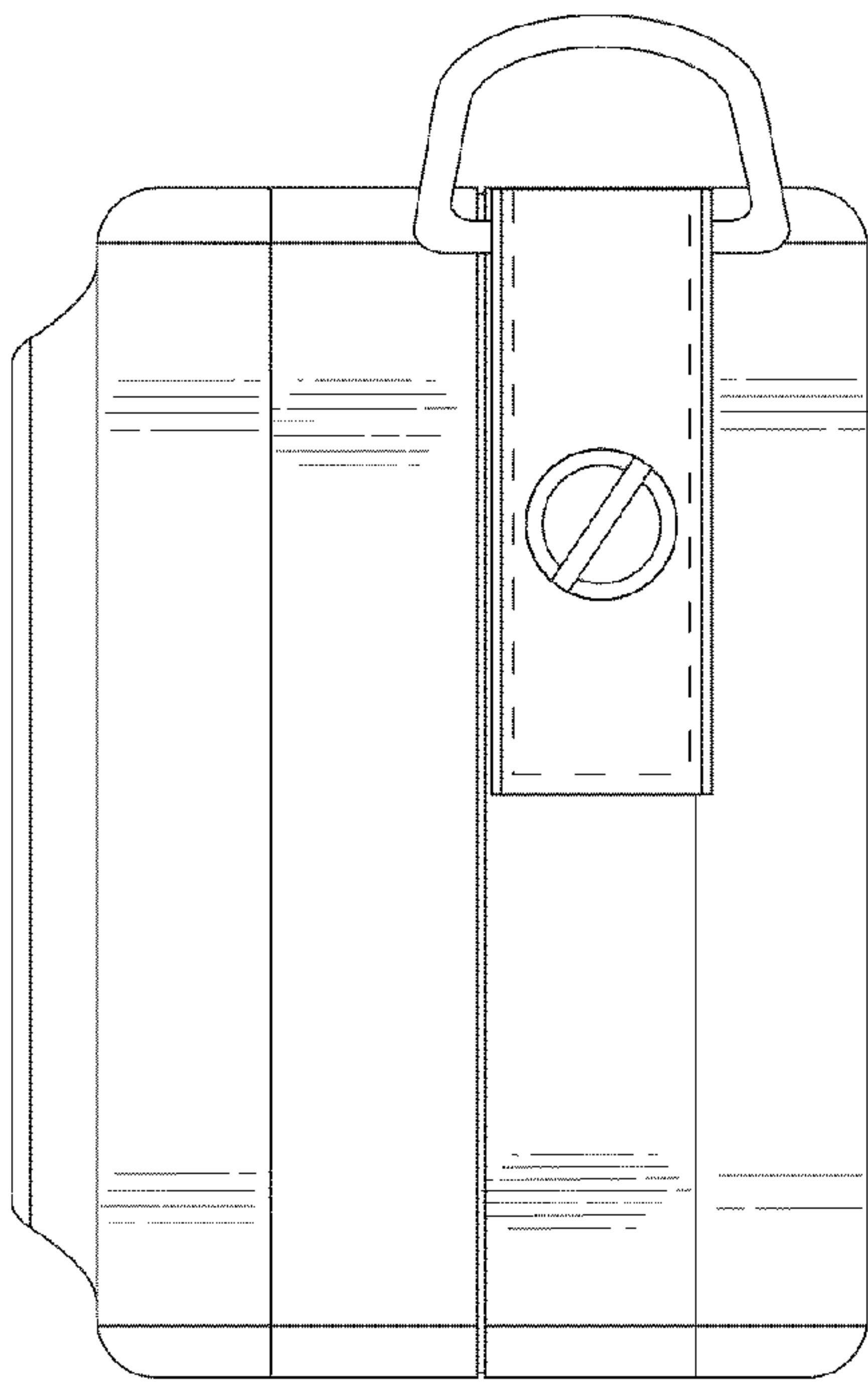


Fig. 4

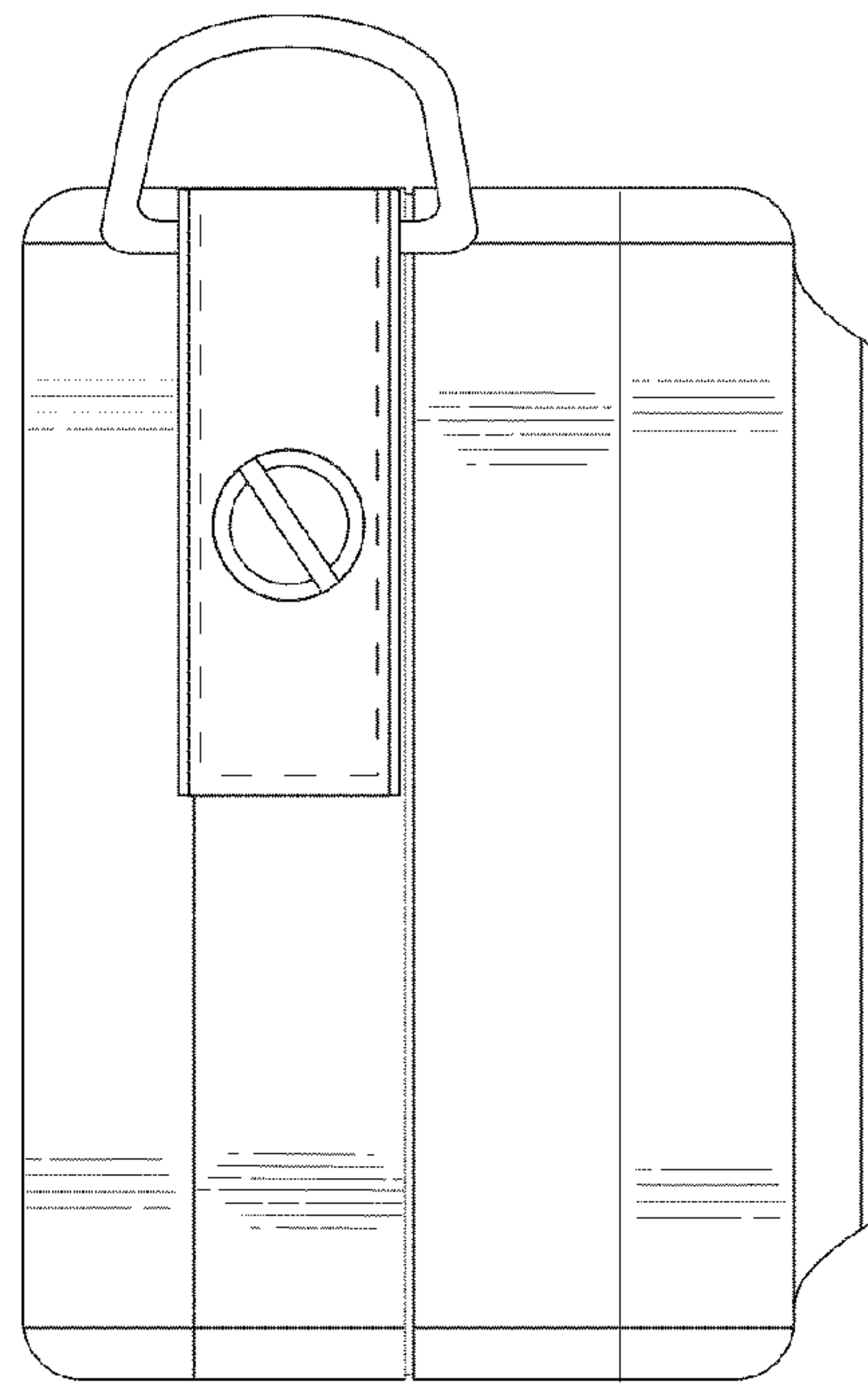


Fig. 5



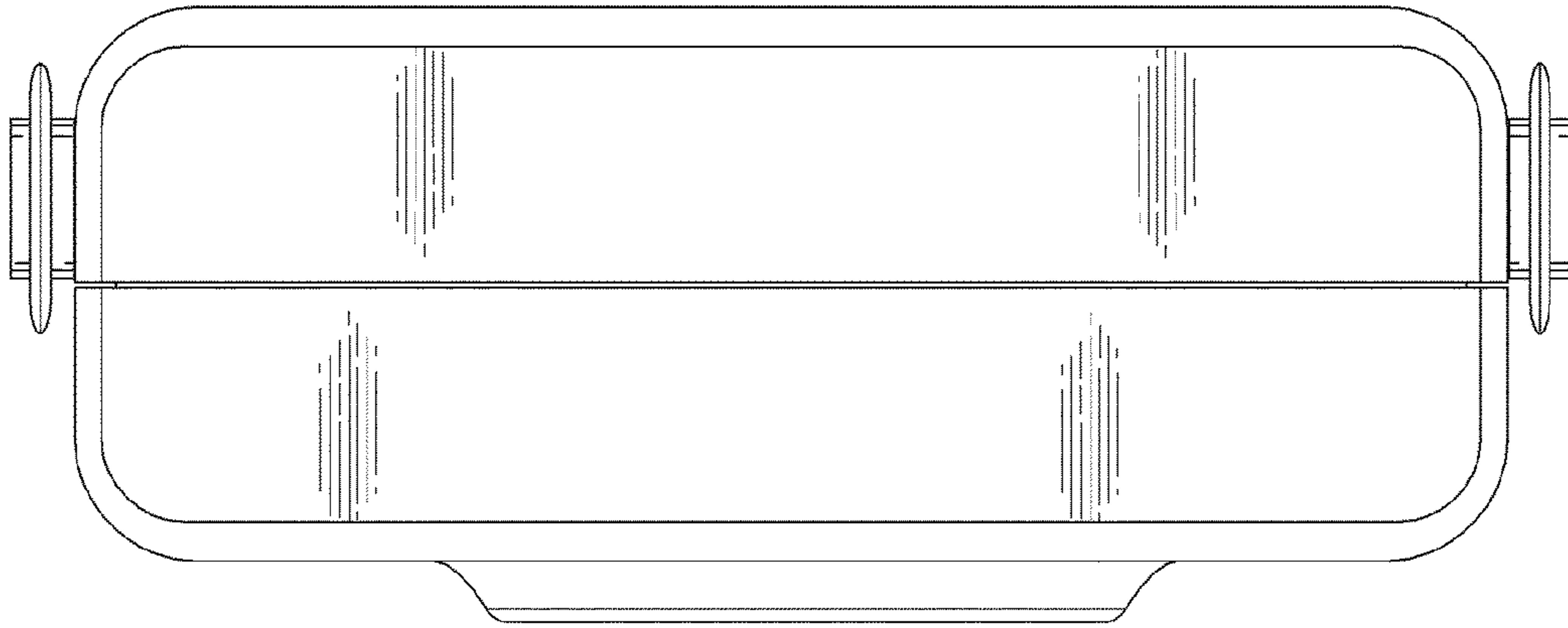


Fig. 6

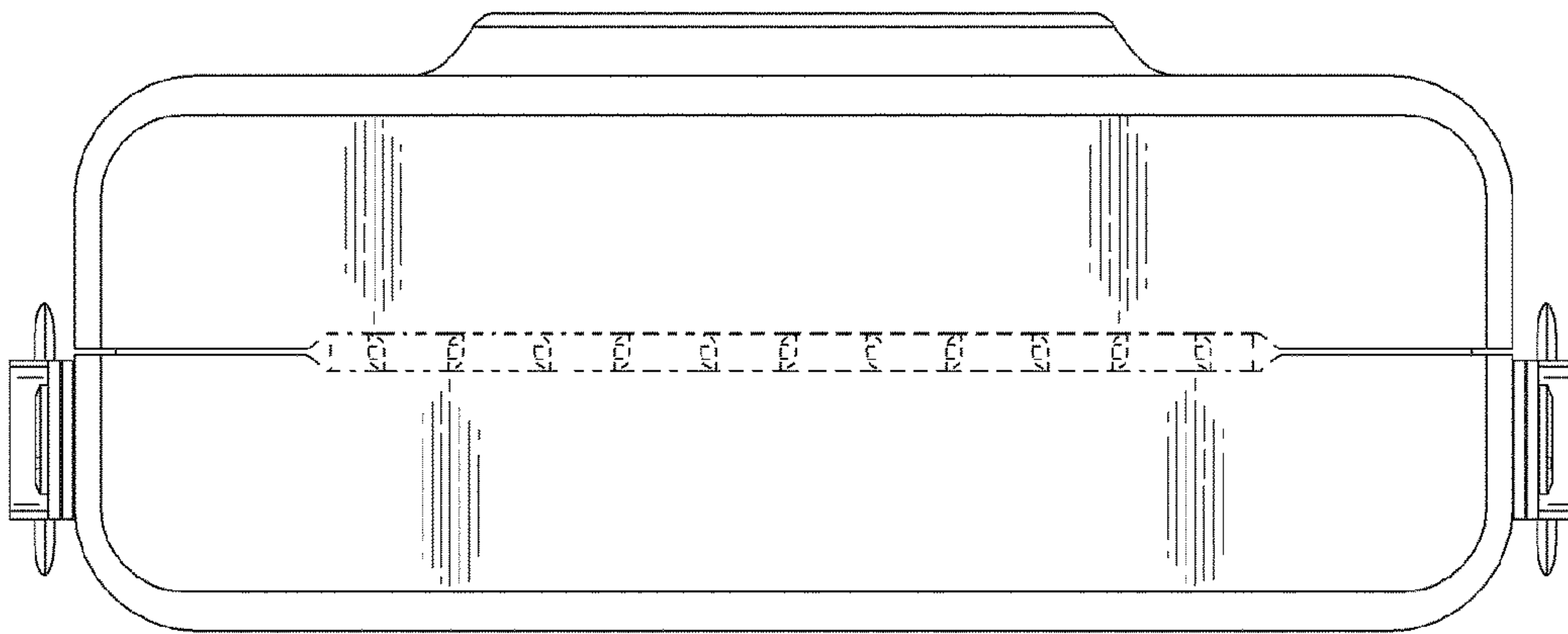


Fig. 7

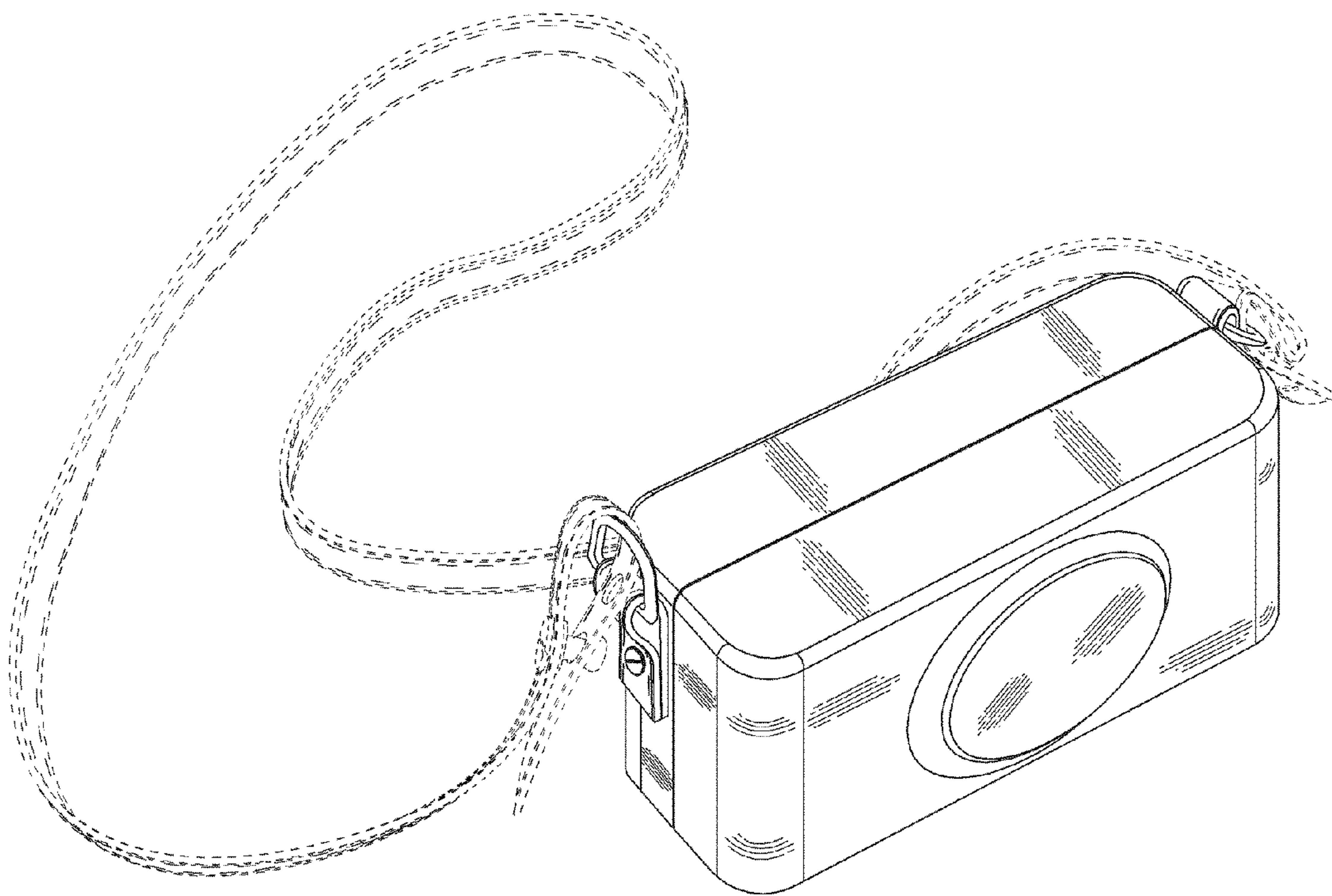


Fig. 8

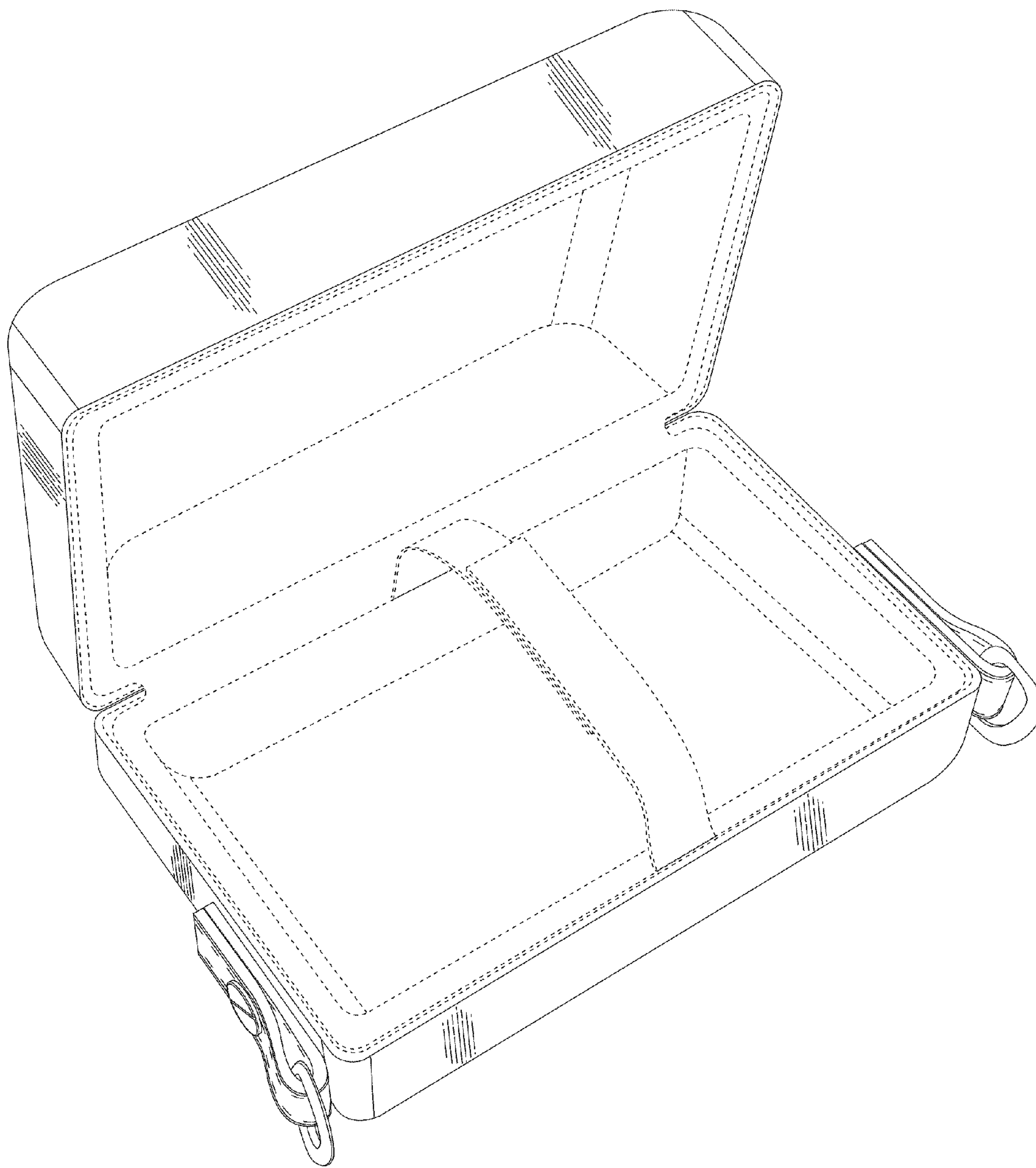


Fig. 9