



US00D654684S

(12) **United States Design Patent**  
**Crofton-Sleigh et al.**

(10) **Patent No.:** **US D654,684 S**  
(45) **Date of Patent:** **\*\* Feb. 28, 2012**

(54) **CARRIER FOR BOTTLES, CANS, BEVERAGES, FOOD CONTAINERS, OR THE LIKE**

(76) Inventors: **Richard Crofton-Sleigh**, Richmond, VA (US); **Leslie M. Haas**, Richmond, VA (US)

(\*\*) Term: **14 Years**

(21) Appl. No.: **29/362,369**

(22) Filed: **May 25, 2010**

(51) **LOC (9) Cl.** ..... **03-01**

(52) **U.S. Cl.** ..... **D3/229**

(58) **Field of Classification Search** ..... D3/229, D3/202, 201; 224/148.1–148.6; D7/605–608, D7/619.1, 620, 622; 40/633; D11/4; 248/311.2  
See application file for complete search history.

(56) **References Cited**

U.S. PATENT DOCUMENTS

1,208,728 A 12/1916 Bartlett et al.  
(Continued)

OTHER PUBLICATIONS

Written Opinion and International Preliminary Report; International Application No. PCT/US2010/028859; mailing date Oct. 6, 2011; 6 pages.

*Primary Examiner* — Catheri Oliver

(74) *Attorney, Agent, or Firm* — Thomas & Karceski, P.C.

(57) **CLAIM**

I claim the ornamental design for a carrier for bottles, cans, beverages, food containers, or the like, as shown and described.

**DESCRIPTION**

FIG. 1 is a perspective view of one embodiment of a carrier for bottles, cans, beverages, food containers, or the like showing the new design.

FIG. 2 is a perspective view thereof from a different angle.

FIG. 3 is a front elevational view thereof.

FIG. 4 is a rear elevational view thereof.

FIG. 5 is a right side elevational view thereof.

FIG. 6 is a left side elevational view thereof.

FIG. 7 is a top view thereof.

FIG. 8 is a bottom view thereof.

FIG. 9 is a second embodiment of a carrier for bottles, cans, beverages, food containers, or the like;

FIG. 10 is a perspective view thereof;

FIG. 11 is a front elevational view thereof;

FIG. 12 is a rear elevational view thereof;

FIG. 13 is a right side elevational view thereof;

FIG. 14 is a left side elevational view thereof;

FIG. 15 is a top view thereof;

FIG. 16 is a bottom view thereof;

FIG. 17 is a perspective view of a third embodiment of a carrier for bottles, cans, beverages, food containers, or the like;

FIG. 18 is a perspective view thereof;

FIG. 19 is a front elevational view thereof;

FIG. 20 is a rear elevational view thereof;

FIG. 21 is a right side elevational view thereof;

FIG. 22 is a left side elevational view thereof;

FIG. 23 is a top view thereof;

FIG. 24 is a bottom view thereof;

FIG. 25 is a perspective view of a fourth embodiment of a carrier for bottles, cans, beverages, food containers, or the like;

FIG. 26 is a perspective view thereof;

FIG. 27 is a front elevational view thereof;

FIG. 28 is a rear elevational view thereof;

FIG. 29 is a right side elevational view thereof;

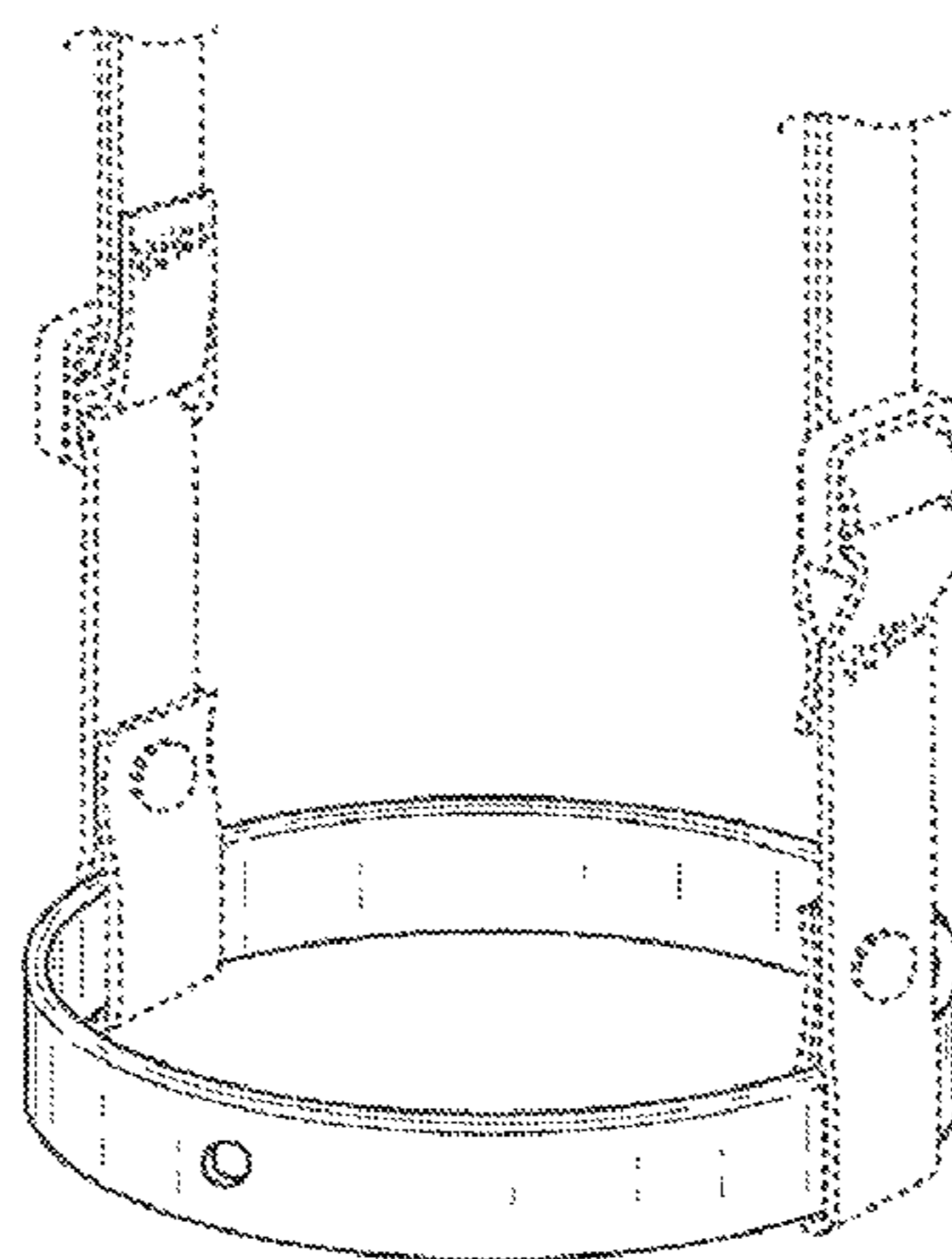
FIG. 30 is a left side elevational view thereof;

FIG. 31 is a top view thereof; and,

FIG. 32 is a bottom view thereof.

Specific features shown in broken lines do not form any part of or otherwise limit the claimed design.

**1 Claim, 12 Drawing Sheets**



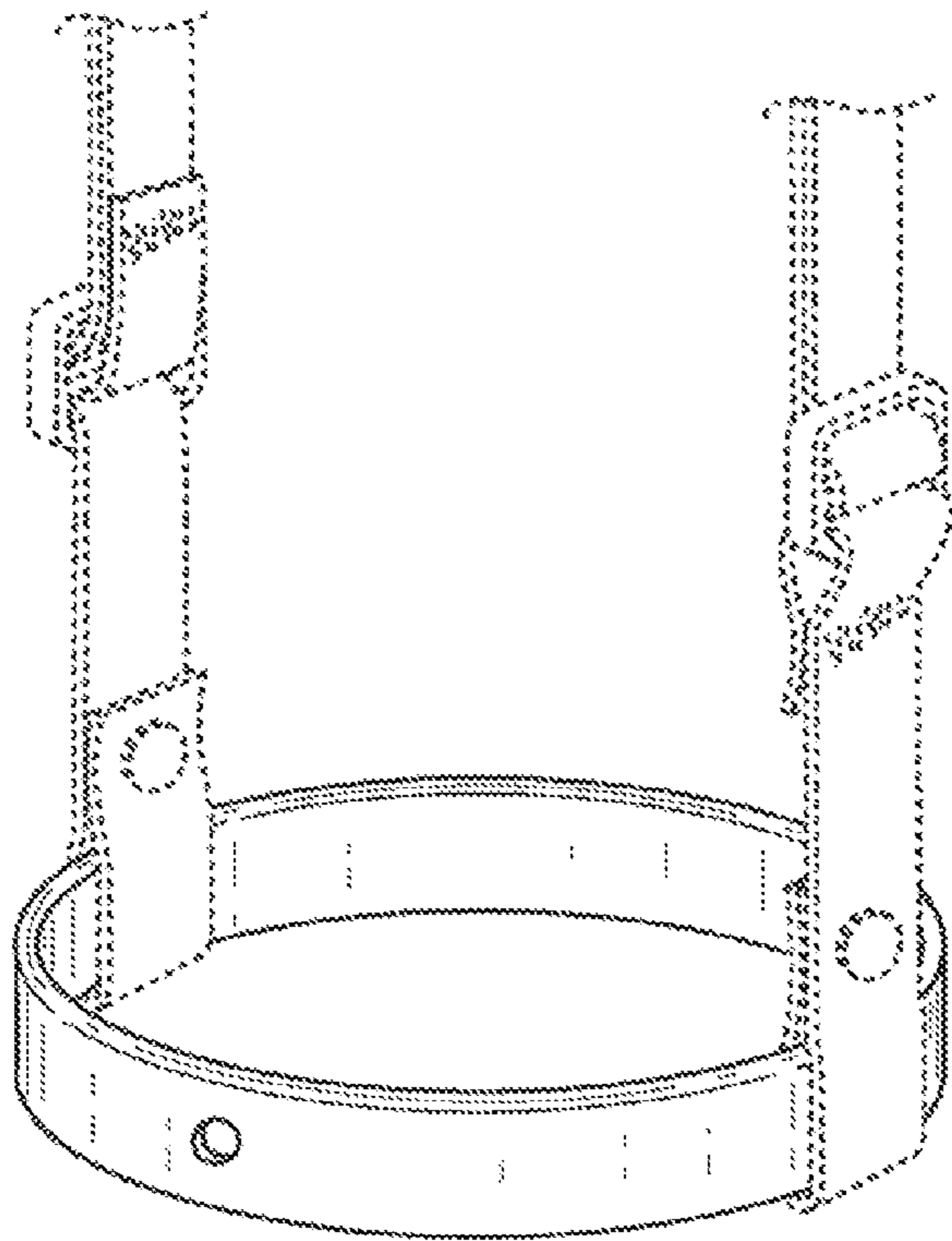
# US D654,684 S

Page 2

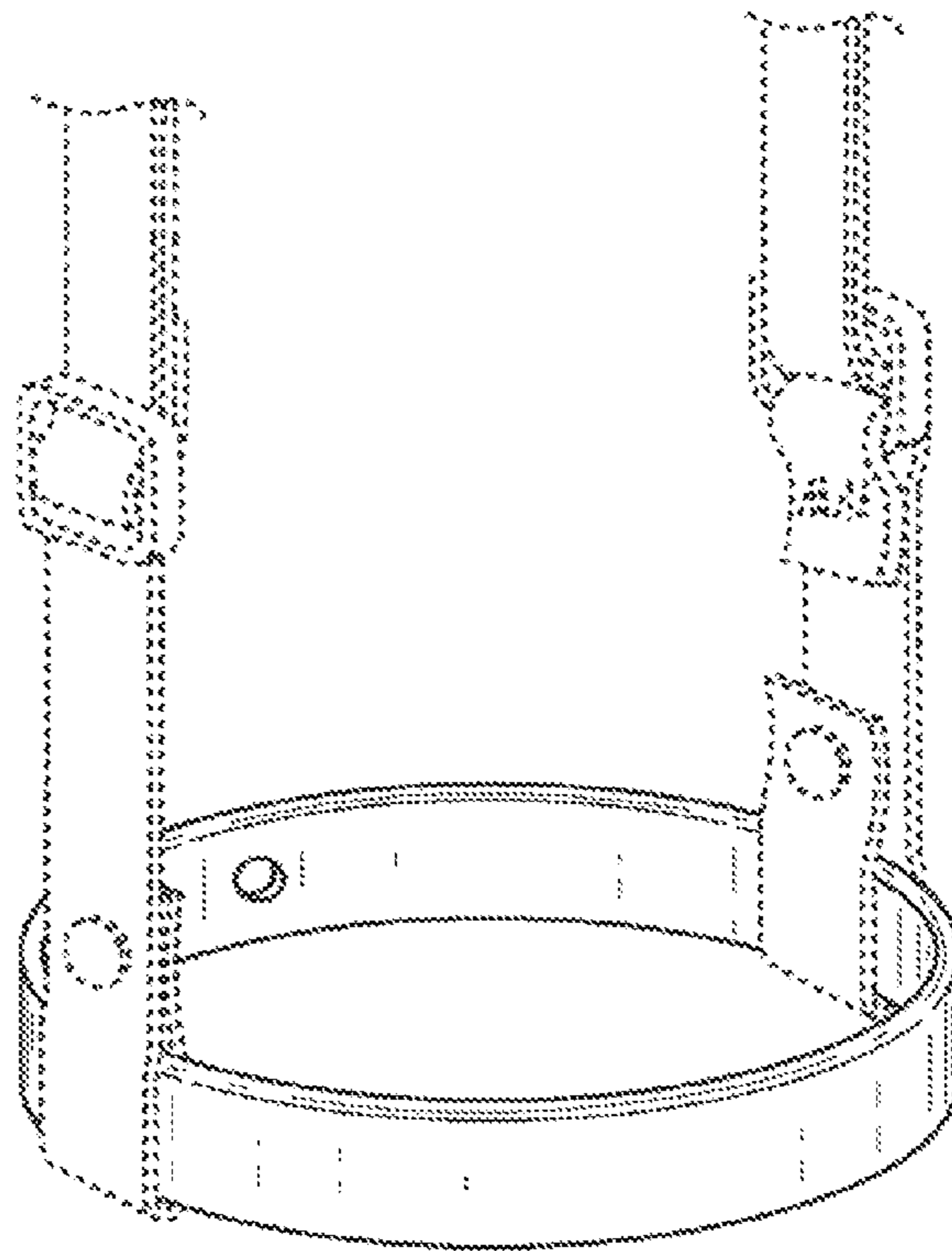
## U.S. PATENT DOCUMENTS

2,793,901 A	1/1954	Johnson		5,505,353 A	4/1996	Marsh, Jr.	
3,275,366 A	9/1966	Hidding		5,622,346 A *	4/1997	Story, Jr. ....	248/311.2
3,543,976 A	12/1970	Ronald		5,730,340 A	3/1998	Bosic	
3,805,427 A *	4/1974	Epstein .....	D11/4	5,782,390 A	7/1998	Dorney	
4,090,729 A	5/1978	Erickson		D408,991 S *	5/1999	Perez .....	D3/229
4,154,011 A *	5/1979	Rakestraw et al. ....	40/633	6,401,993 B1	6/2002	Andrino	
D276,760 S *	12/1984	Kesterson .....	D3/229	6,806,124 B2	7/2007	Wang	
4,902,261 A	2/1990	Pratt		D554,847 S	11/2007	Schmelzer et al.	
5,056,696 A	10/1991	Lahr		2005/0127120 A1	6/2005	Pablo	
D347,734 S	6/1994	Patterson		2007/0108239 A1	5/2007	San Nicholas	
D349,190 S *	8/1994	Wasserman .....	D3/229	2008/0060110 A1	3/2008	Schmelzer et al.	
D350,024 S *	8/1994	Ryker .....	D3/202	2008/0290225 A1	11/2008	Mostert	
5,407,110 A *	4/1995	Marsh, Jr. ....	224/148.6	2009/0107018 A1	4/2009	Schmelzer et al.	
5,431,319 A	7/1995	Cavadini et al.					

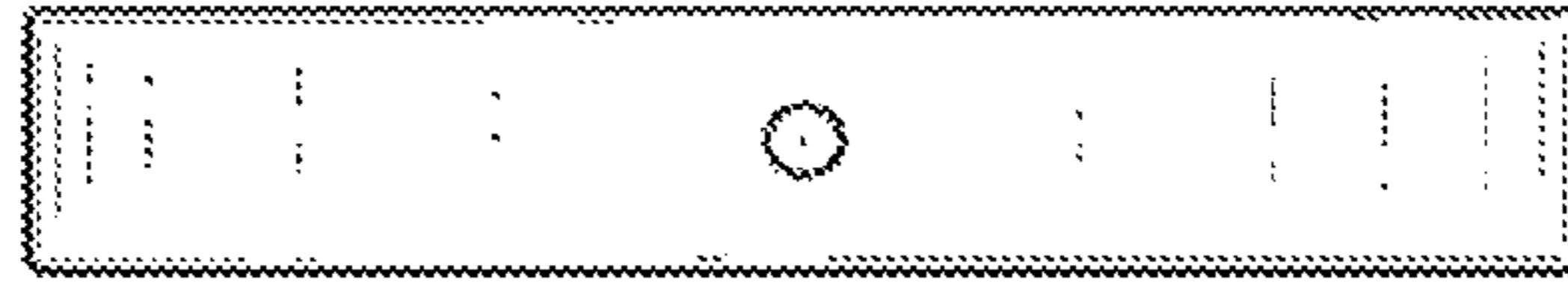
\* cited by examiner



**FIG. 1**



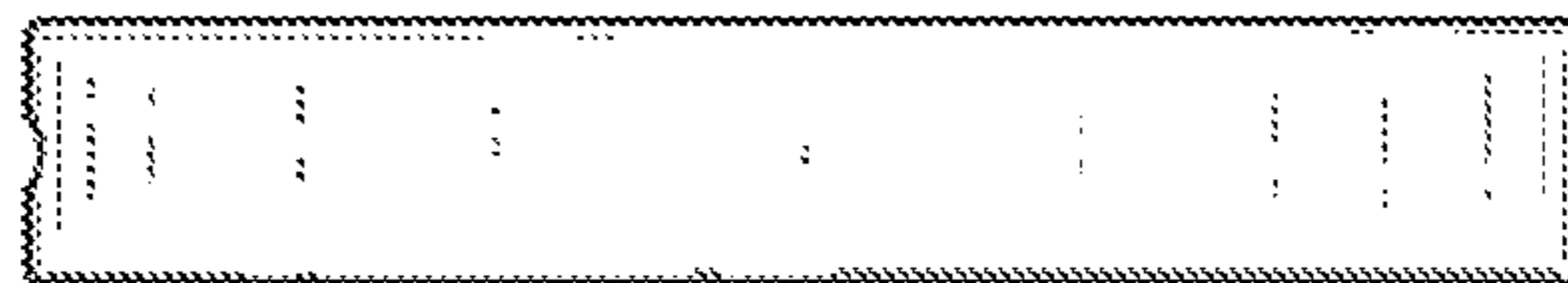
**FIG. 2**



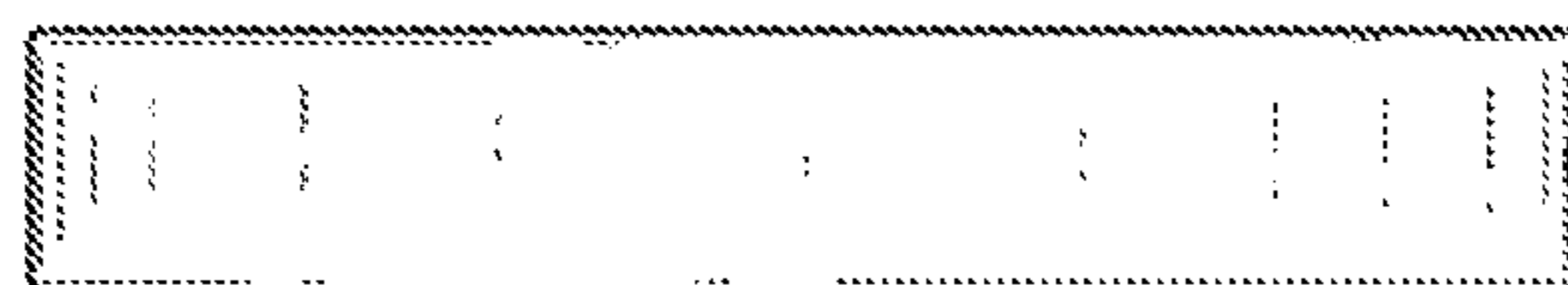
**FIG. 3**



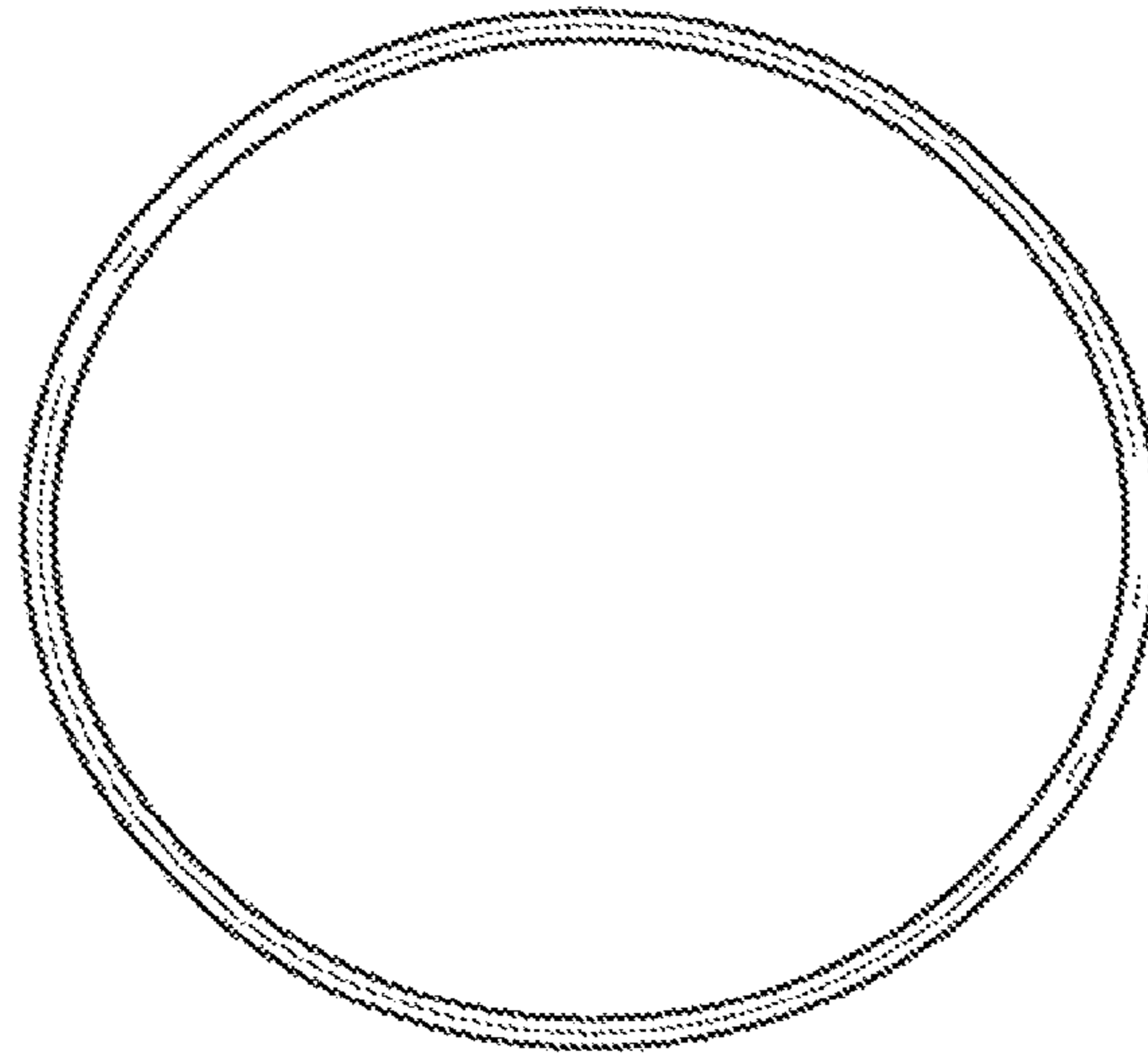
**FIG. 4**



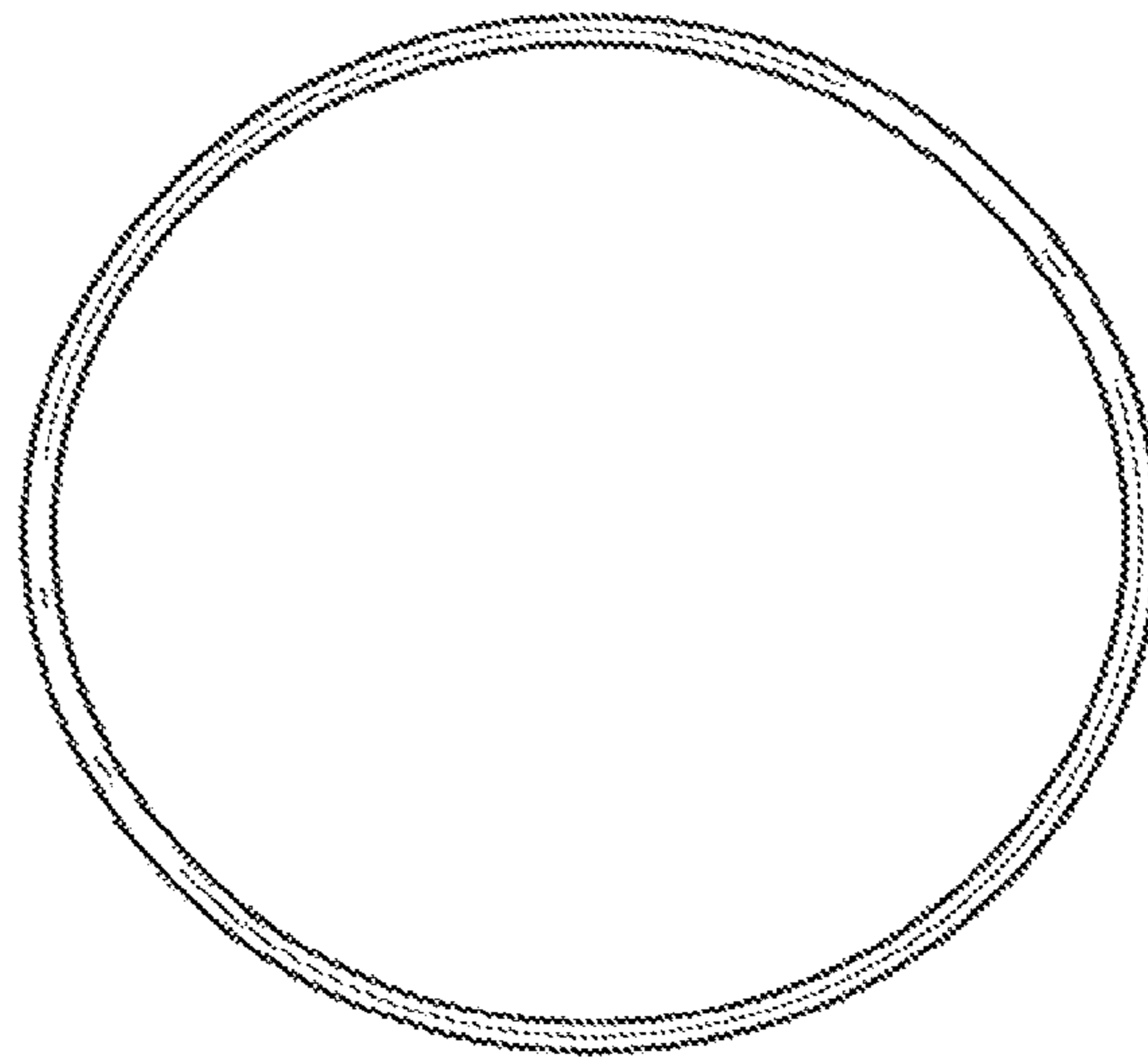
**FIG. 5**



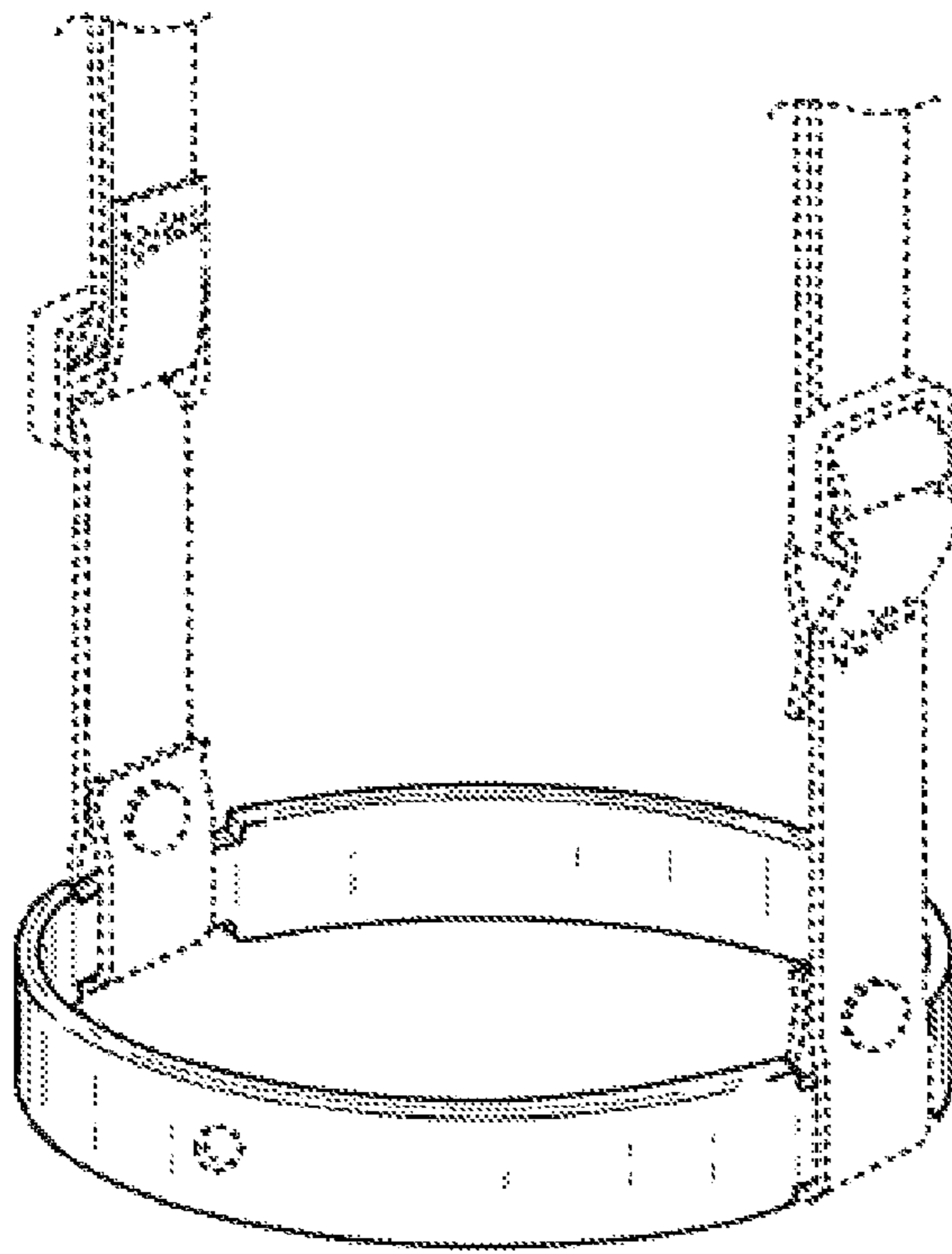
**FIG. 6**



**FIG. 7**

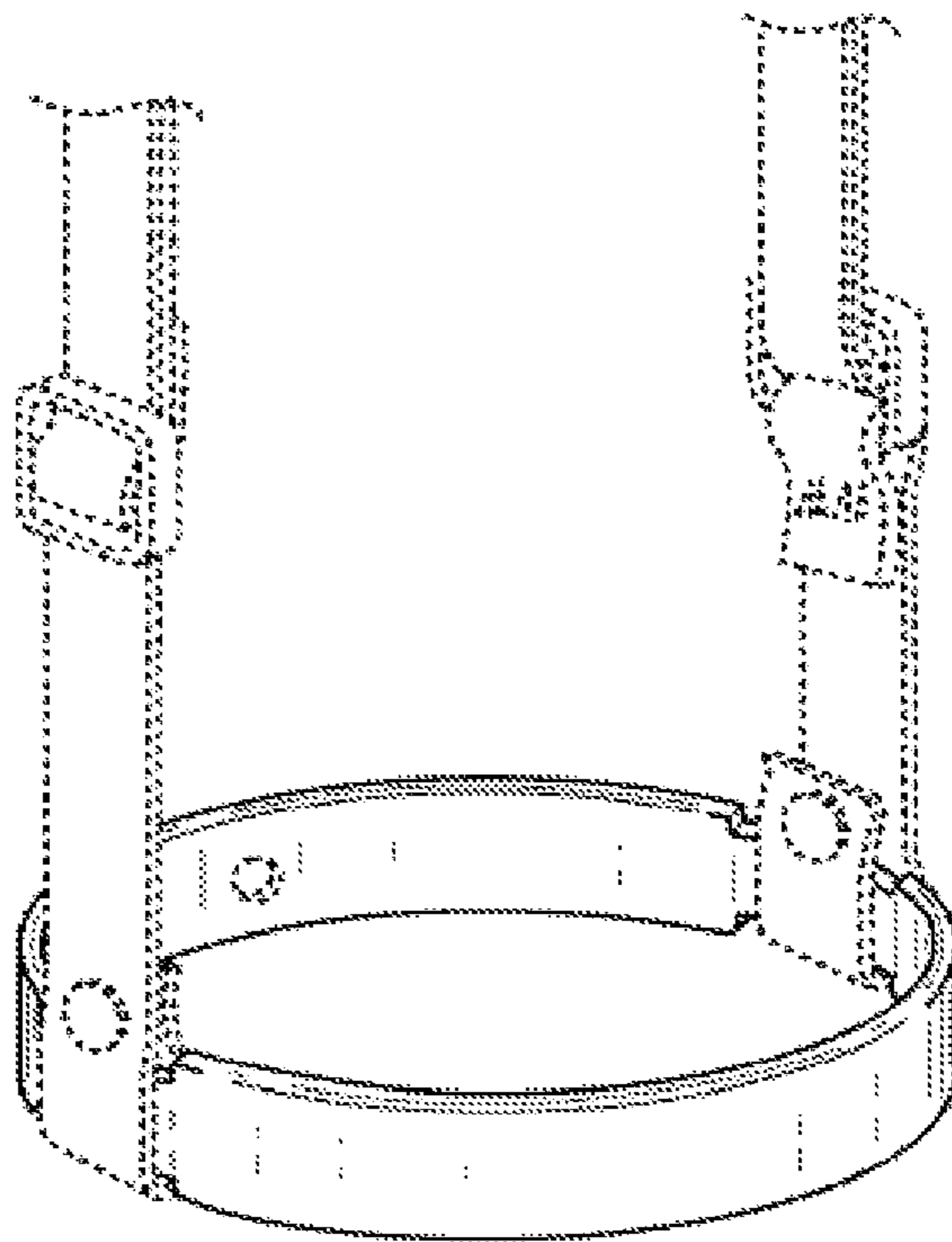


**FIG. 8**



**FIG. 9**

**FIG. 10**

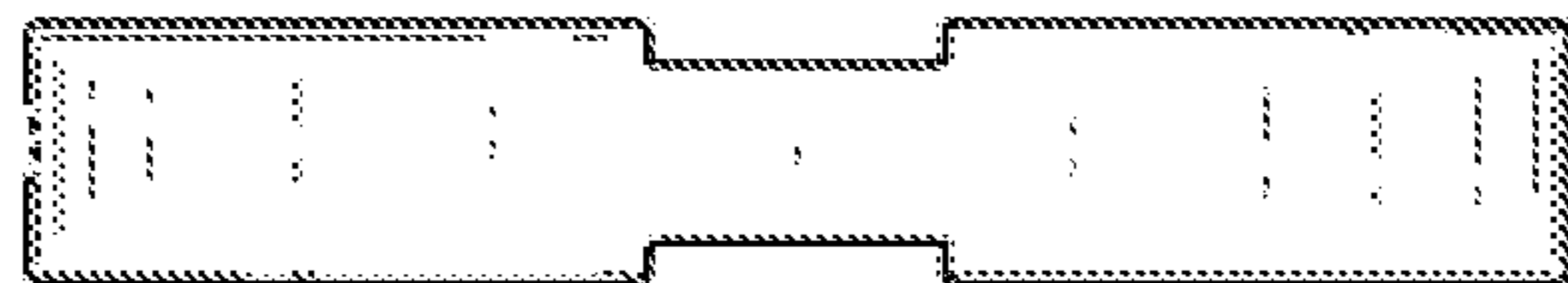




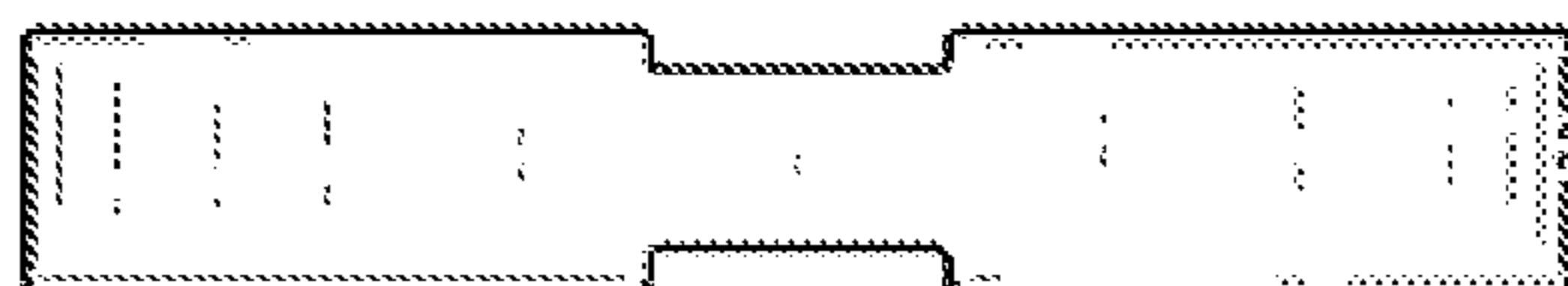
**FIG. 11**



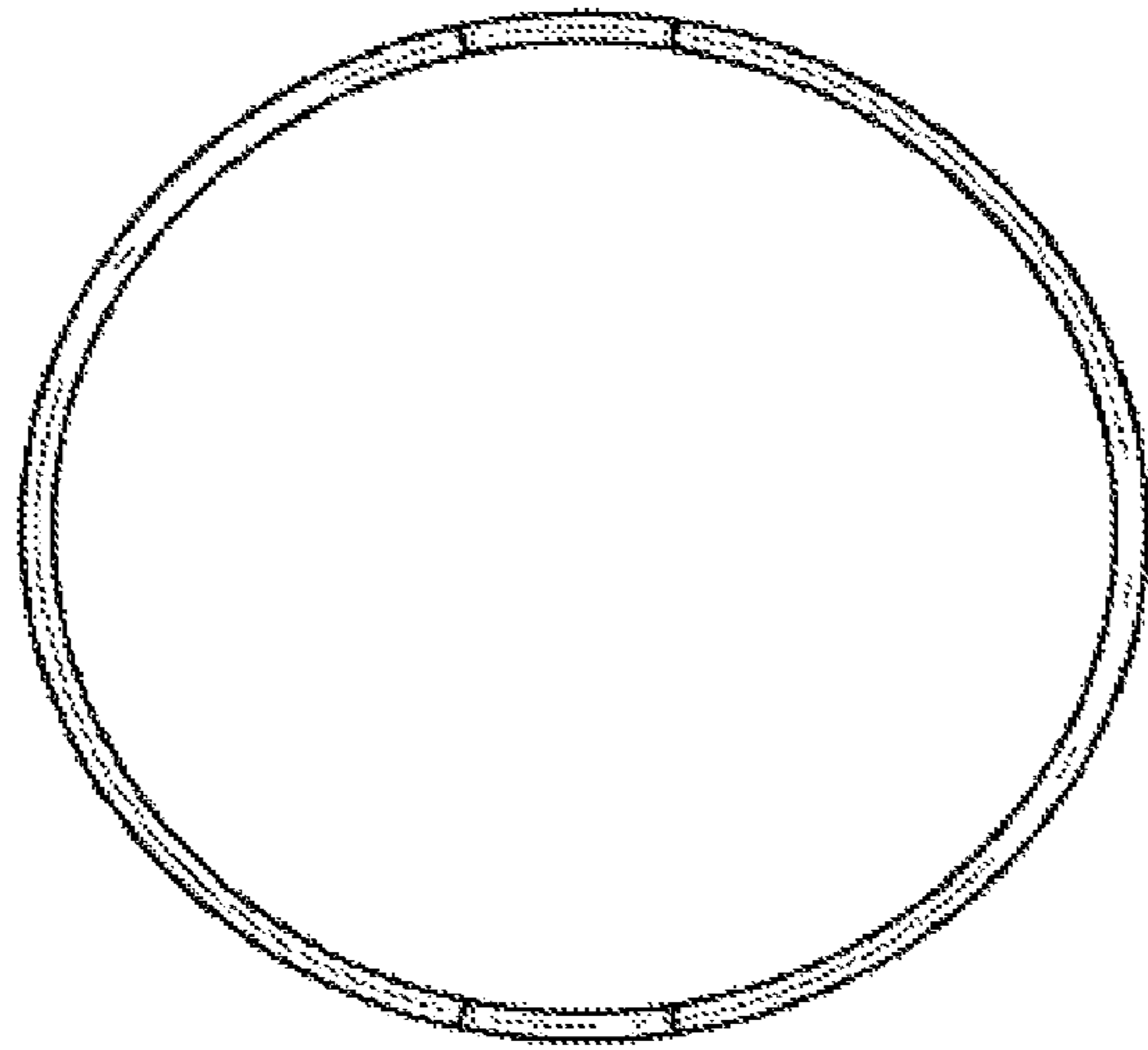
**FIG. 12**



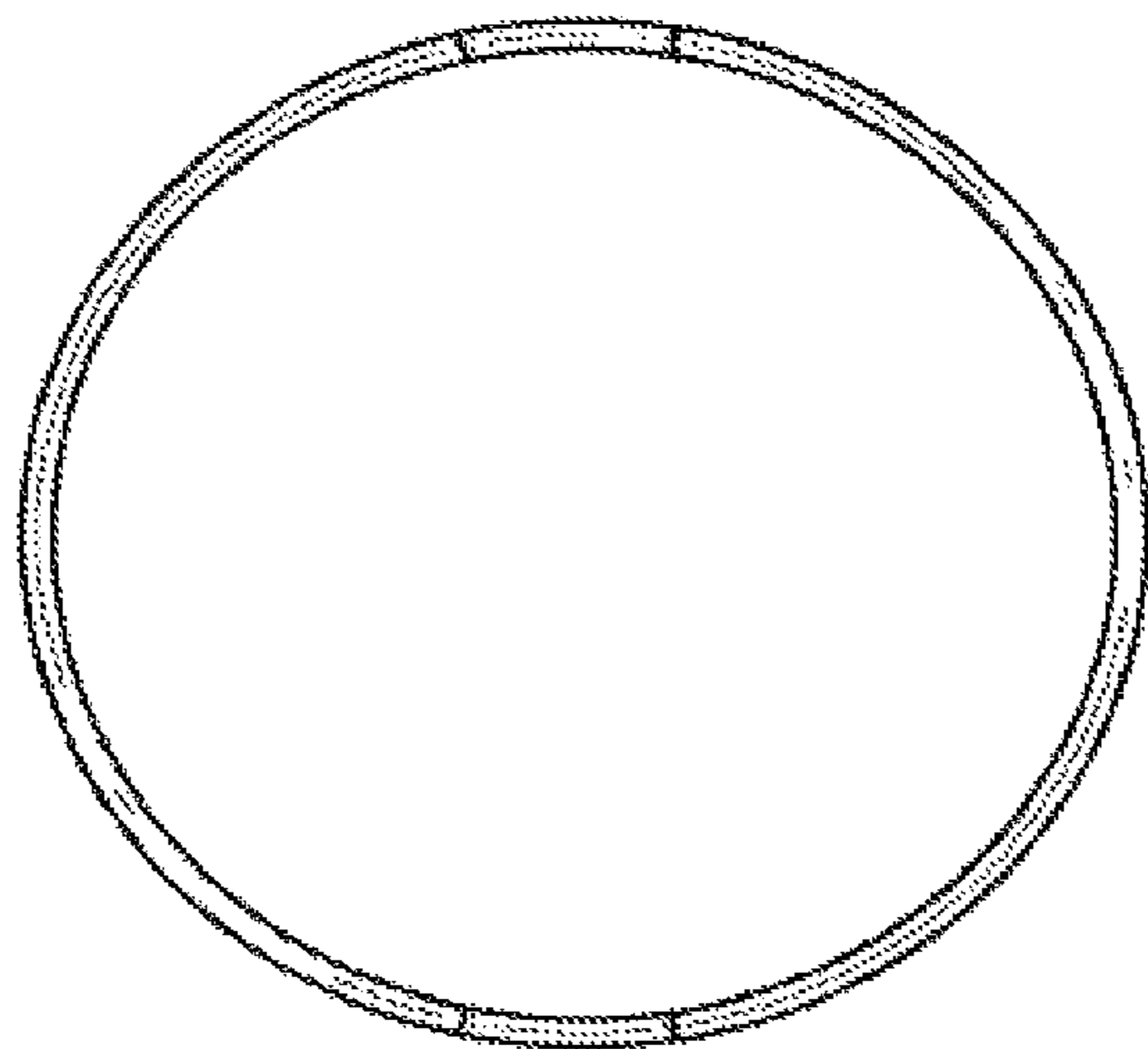
**FIG. 13**



**FIG. 14**

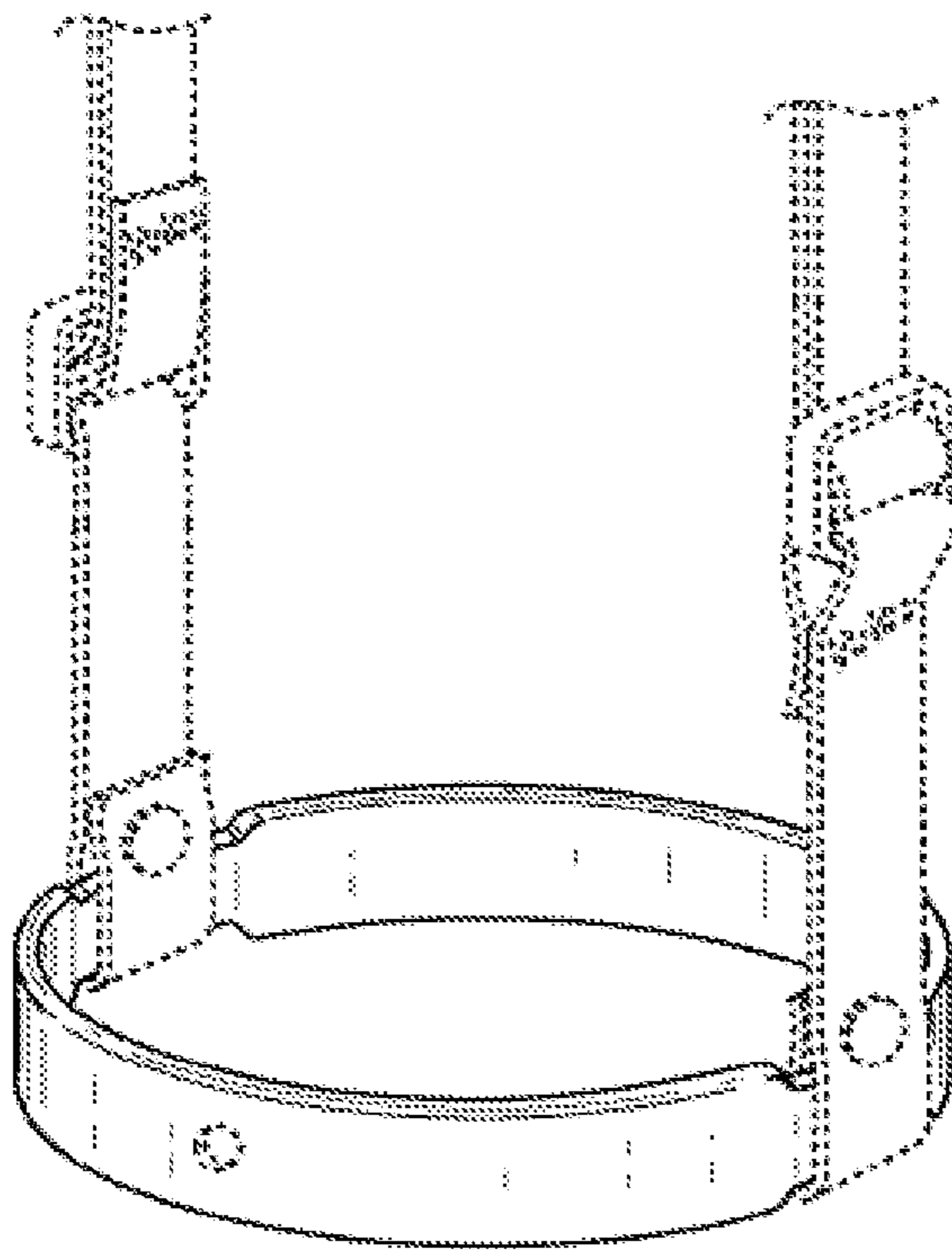


**FIG. 15**



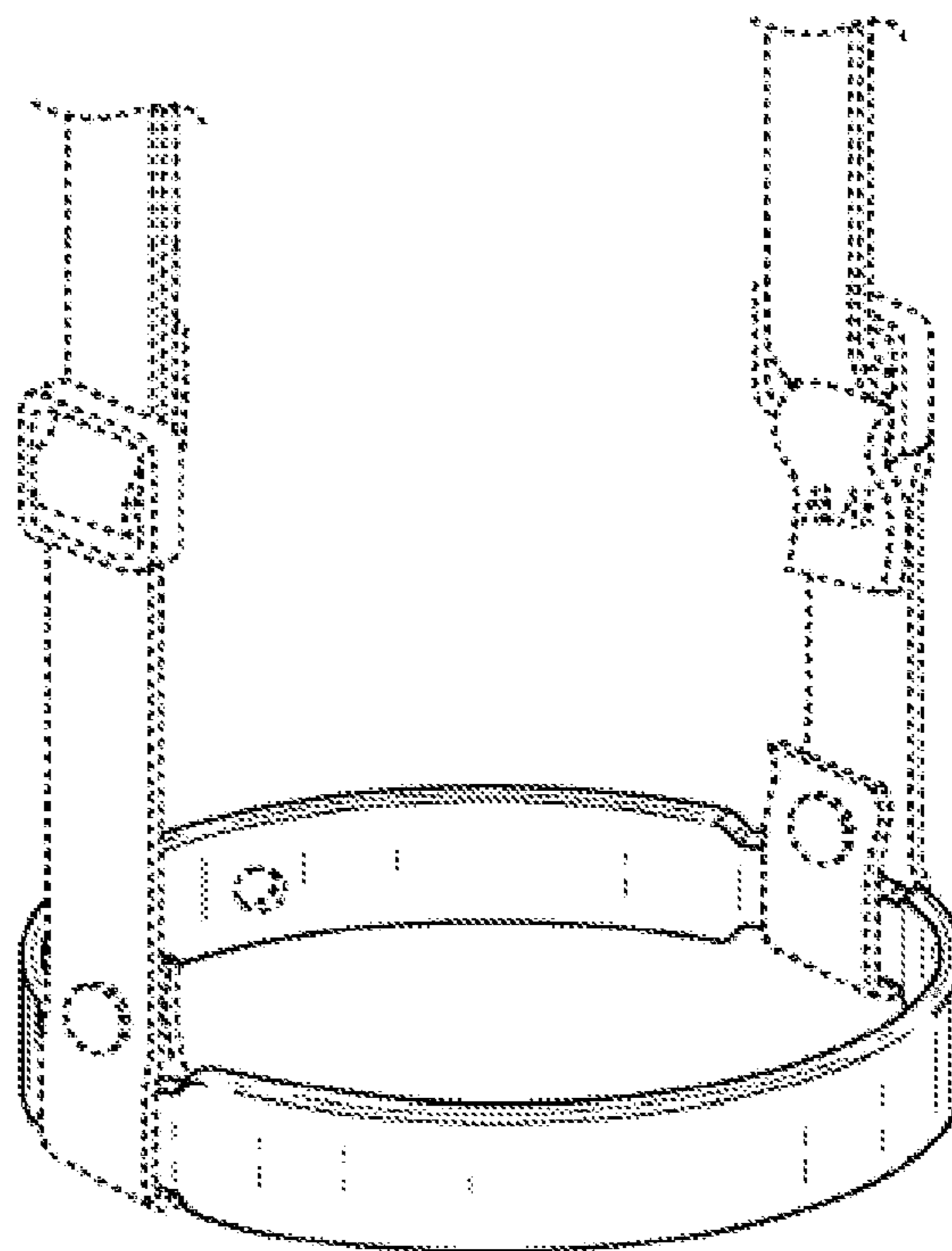
**FIG. 16**





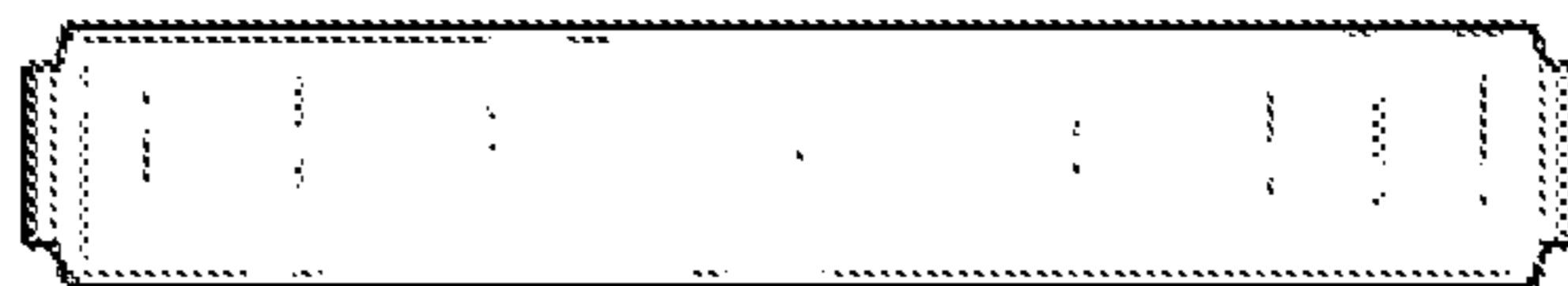
**FIG. 17**

**FIG. 18**

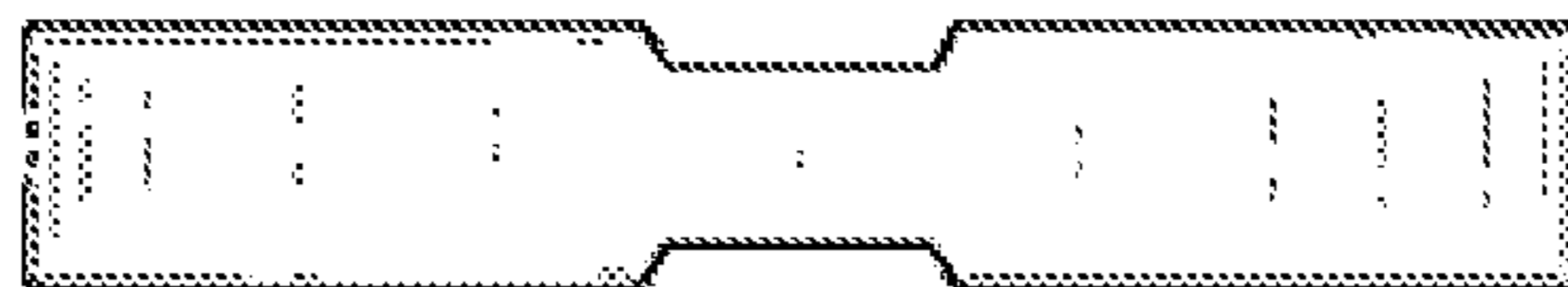




**FIG. 19**



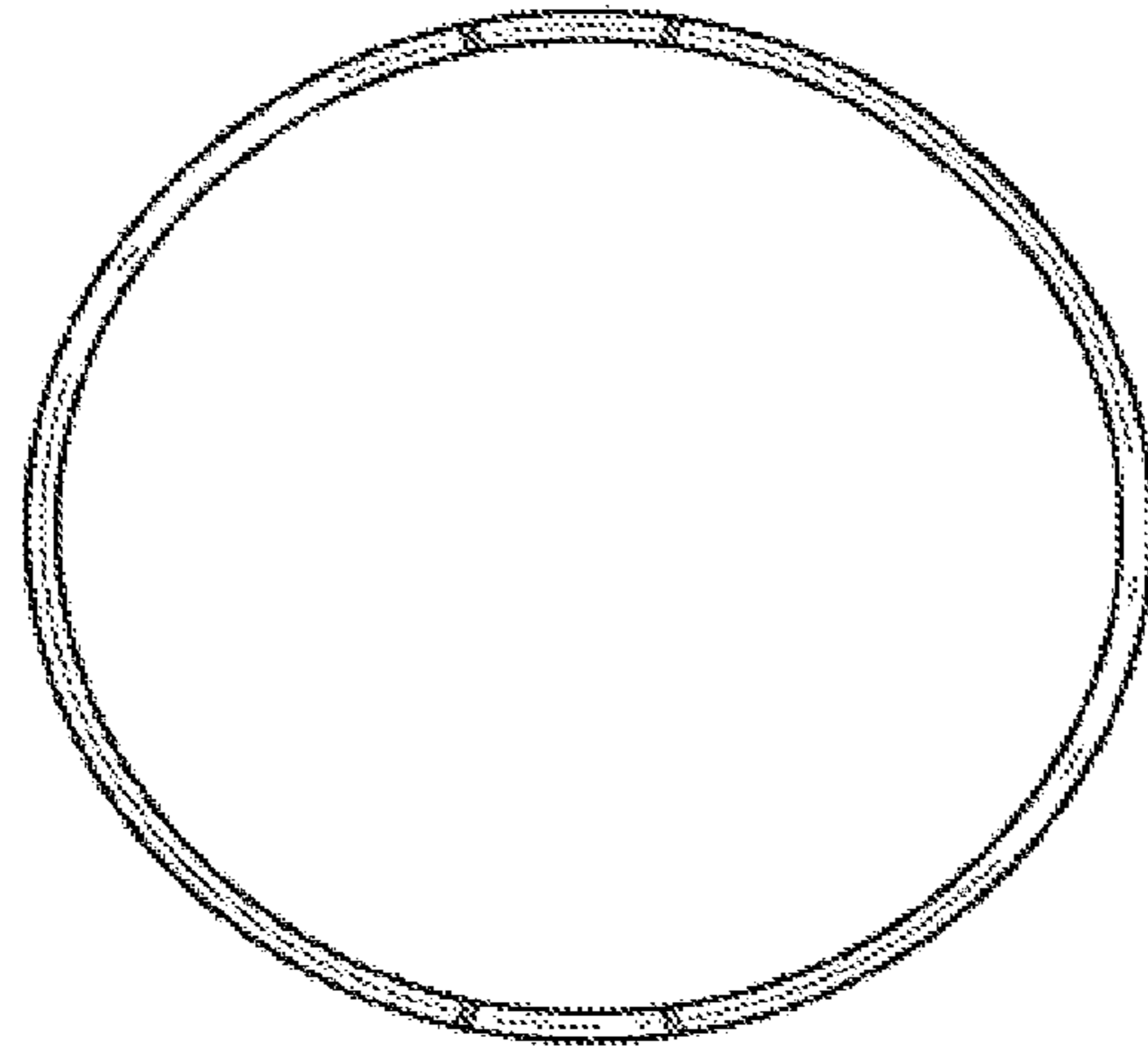
**FIG. 20**



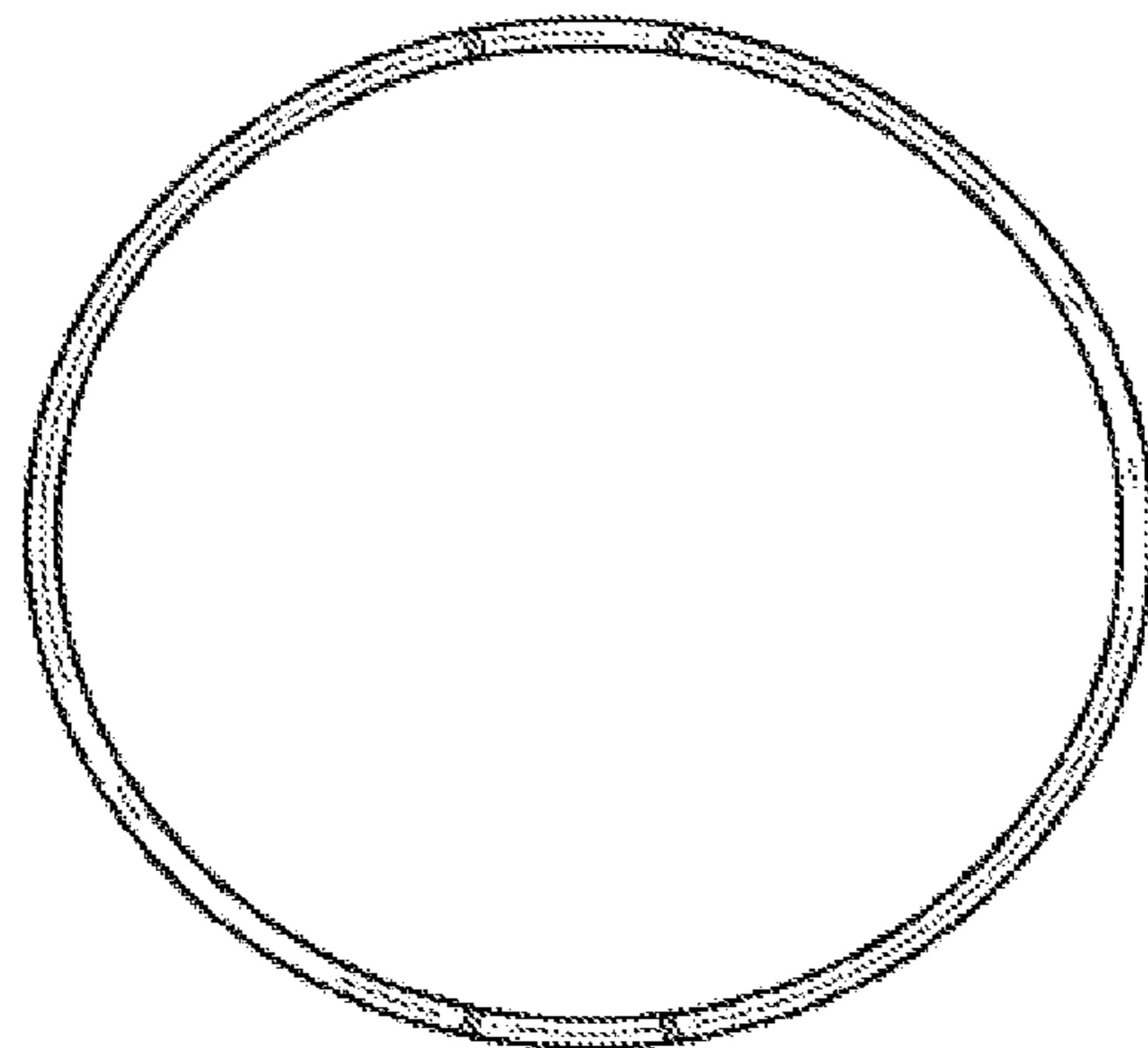
**FIG. 21**



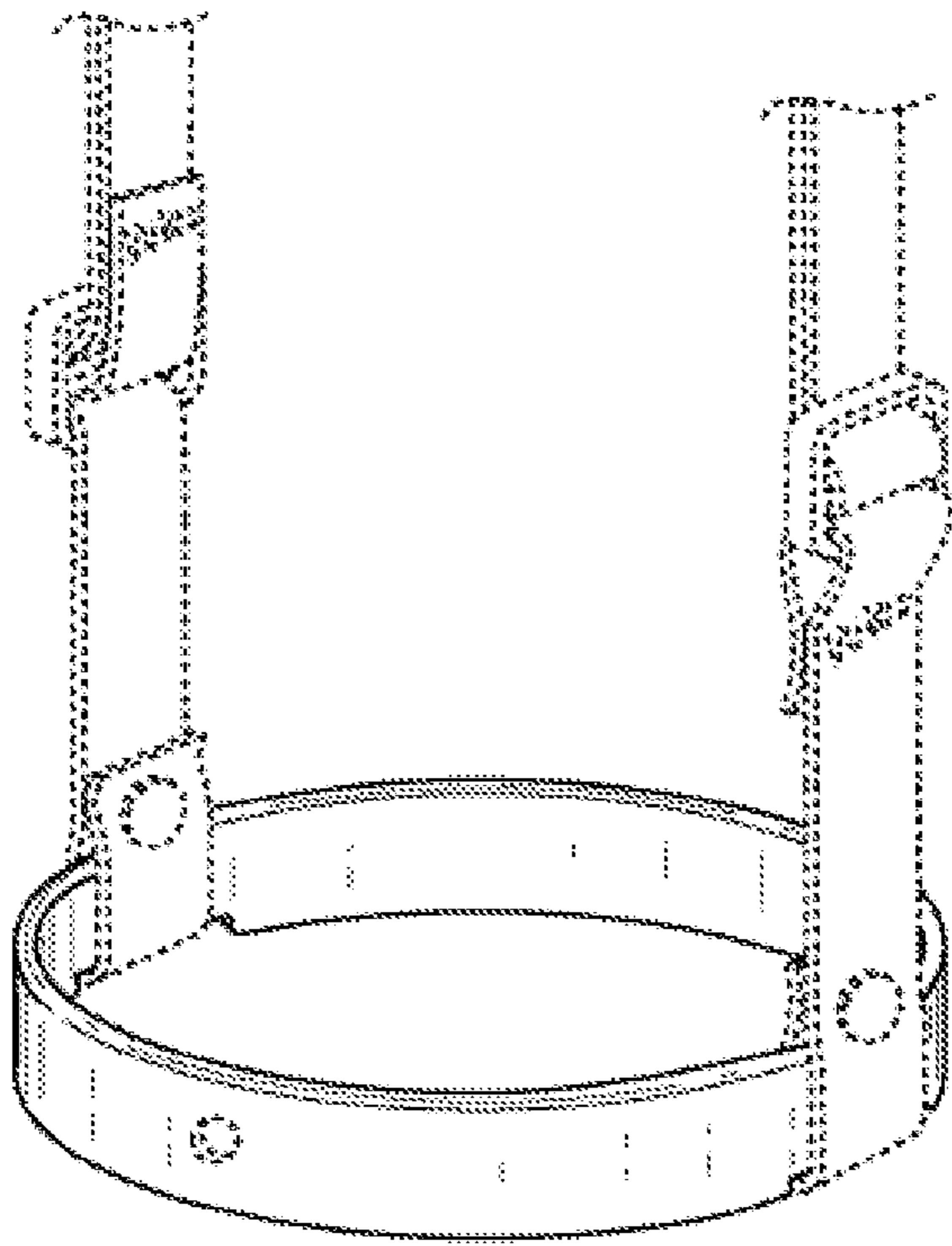
**FIG. 22**



**FIG. 23**

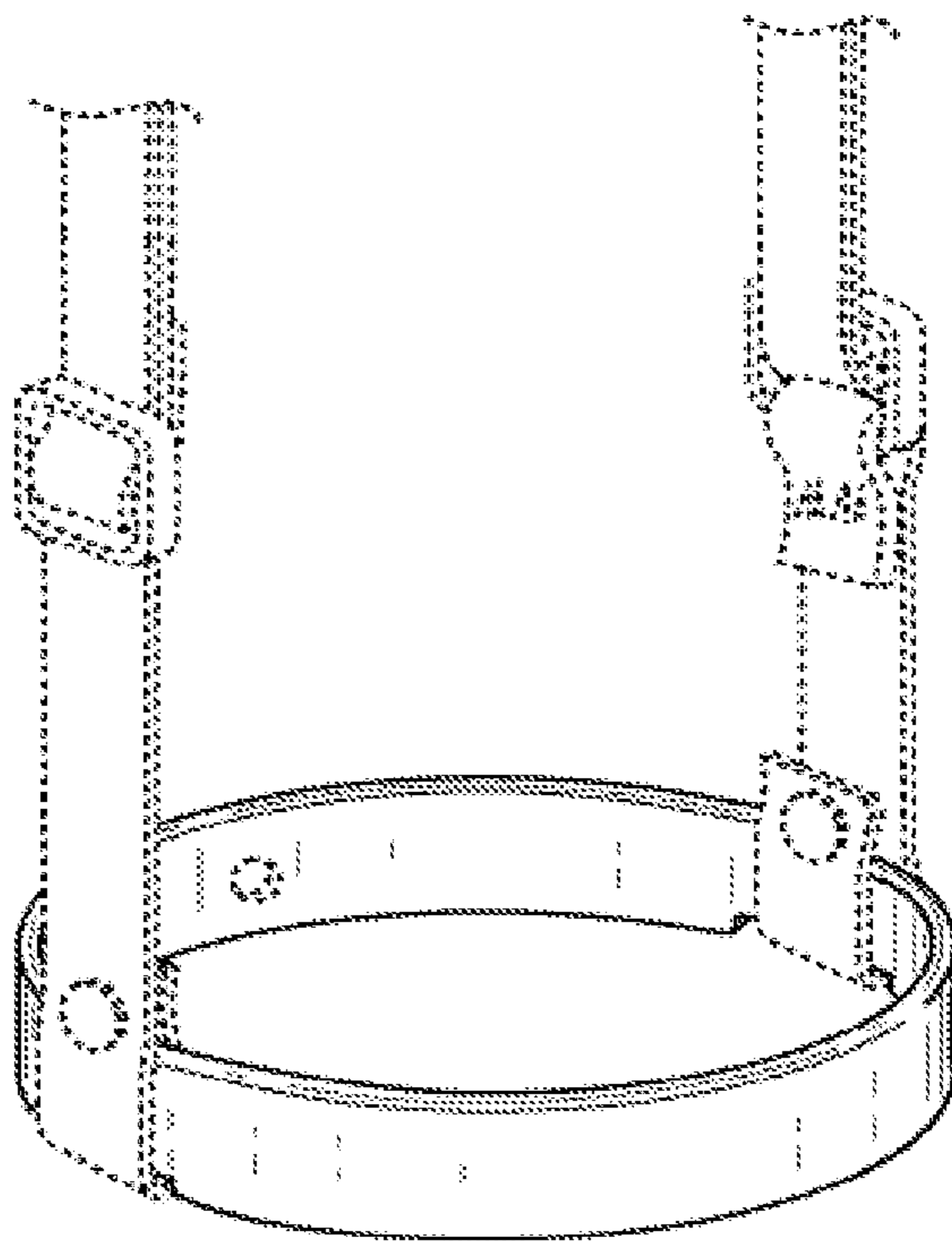


**FIG. 24**



**FIG. 25**

**FIG. 26**





**FIG. 27**



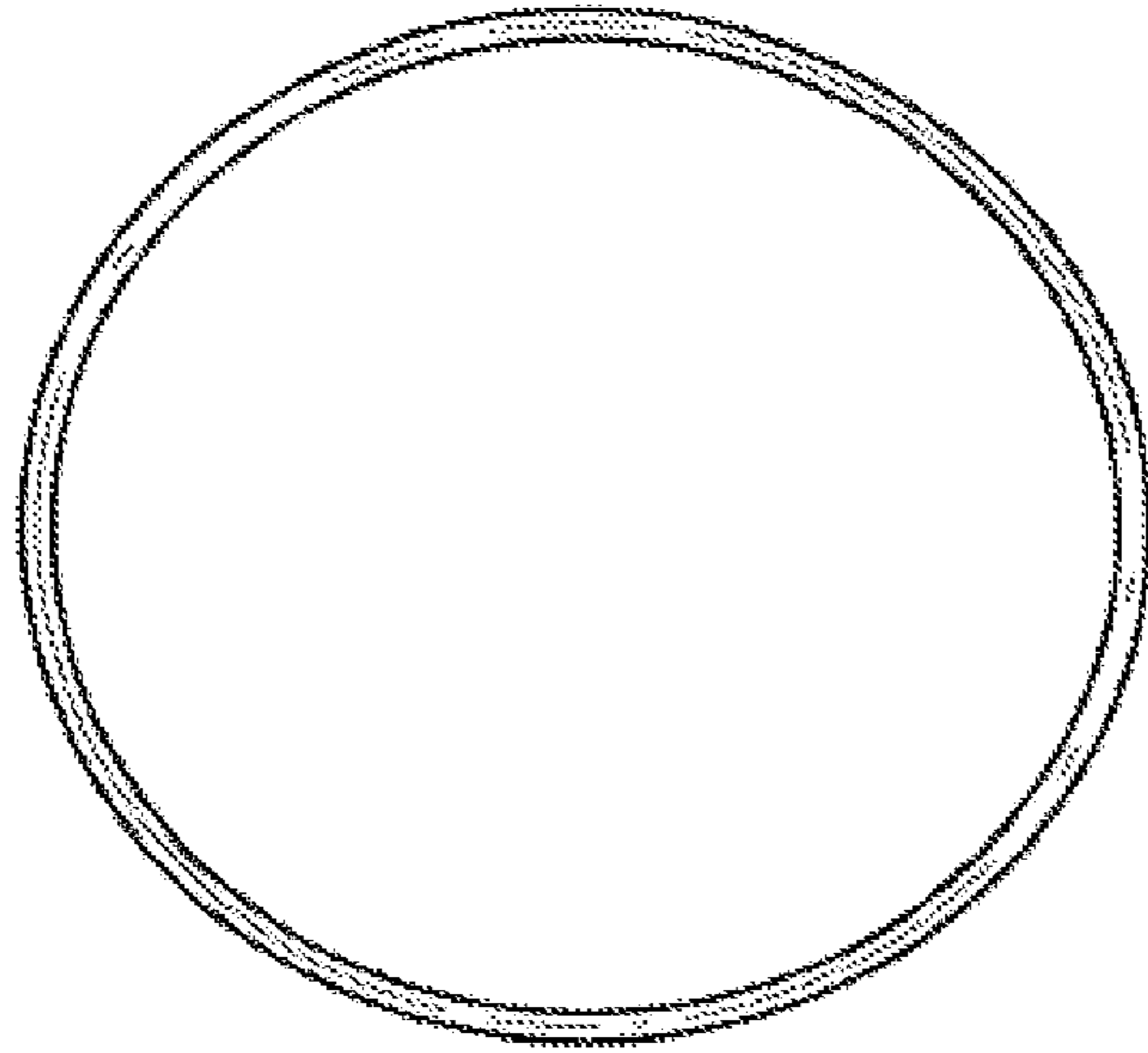
**FIG. 28**



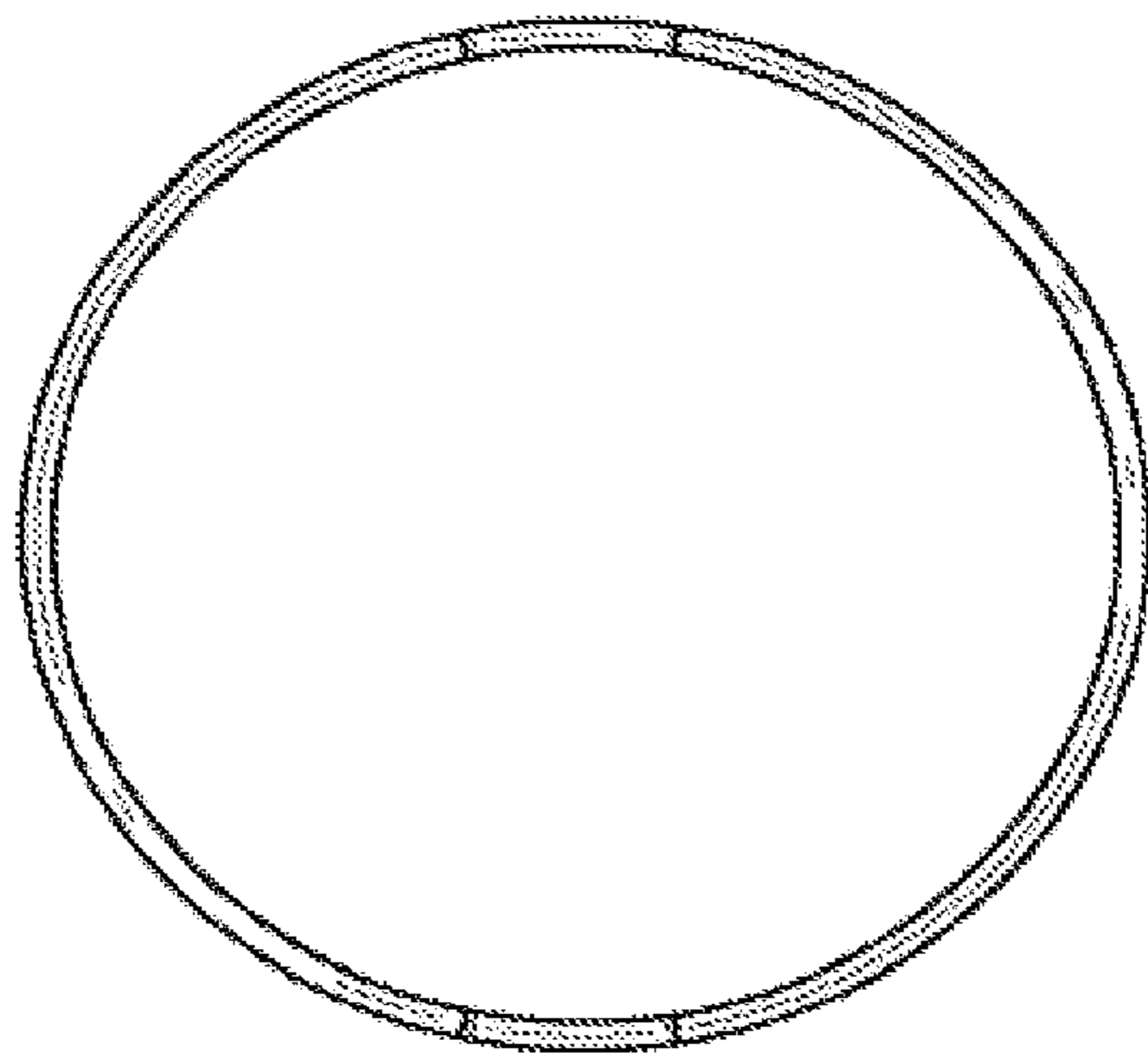
**FIG. 29**



**FIG. 30**



**FIG. 31**



**FIG. 32**