



US00D654683S

(12) **United States Design Patent**
Hoffman

(10) **Patent No.:** **US D654,683 S**

(45) **Date of Patent:** **** Feb. 28, 2012**

(54) **KNITTING NEEDLE**

(75) Inventor: **Pamela M. Hoffman**, Oxford, MI (US)

(73) Assignee: **Pamela Mason Hoffman**, Oxford, MI (US)

(**) Term: **14 Years**

(21) Appl. No.: **29/363,950**

(22) Filed: **Jun. 16, 2010**

D157,820 S	3/1950	Williamson	
D157,821 S	3/1950	Williamson	
D162,164 S *	2/1951	Hill	D3/21
2,730,881 A *	1/1956	de Leysat	66/117
D271,062 S	10/1983	Okada	
D298,698 S	11/1988	Okada	
D313,499 S	1/1991	Pollock et al.	
D397,060 S	8/1998	Mayer	
D426,589 S *	6/2000	Law et al.	D21/511
D508,095 S *	8/2005	Greene	D21/511
D571,098 S *	6/2008	Jones	D3/28
7,578,147 B2 *	8/2009	Feldman-Abovitz	66/117
D604,500 S *	11/2009	Buday	D3/28

* cited by examiner

Related U.S. Application Data

(60) Continuation-in-part of application No. 29/341,636, filed on Aug. 10, 2009, now Pat. No. Des. 617,985, and a division of application No. 29/304,975, filed on Mar. 11, 2008, now Pat. No. Des. 599,542.

(51) **LOC (9) Cl.** **02-07**

(52) **U.S. Cl.** **D3/28**

(58) **Field of Classification Search** D3/18-29;
D7/683, 684; D19/42; D20/29, 30, 34, 38;
66/116-118; 223/102; D21/506-511; D25/22,
D25/32, 33
See application file for complete search history.

(56) **References Cited**

U.S. PATENT DOCUMENTS

1,664,464 A *	4/1928	Purchas	446/76
D120,034 S *	4/1940	Langenbacher	D3/21
D125,868 S	3/1941	Davis	
2,378,544 A *	6/1945	Fosse et al.	66/117
2,443,540 A *	6/1948	Lewis	66/117
D154,971 S	8/1949	Williamson	
D157,818 S	3/1950	Williamson	
D157,819 S	3/1950	Williamson	

Primary Examiner — Celia Murphy

Assistant Examiner — John Windmuller

(74) *Attorney, Agent, or Firm* — Rader, Fishman & Grauer PLLC; Douglas P. LaLone

(57) **CLAIM**

The ornamental design for a knitting needle, as shown and described.

DESCRIPTION

FIG. 1 is a front view of a knitting needle showing my new design;

FIG. 2 is a rear view thereof;

FIG. 3 is a right side view thereof;

FIG. 4 is a left side view thereof;

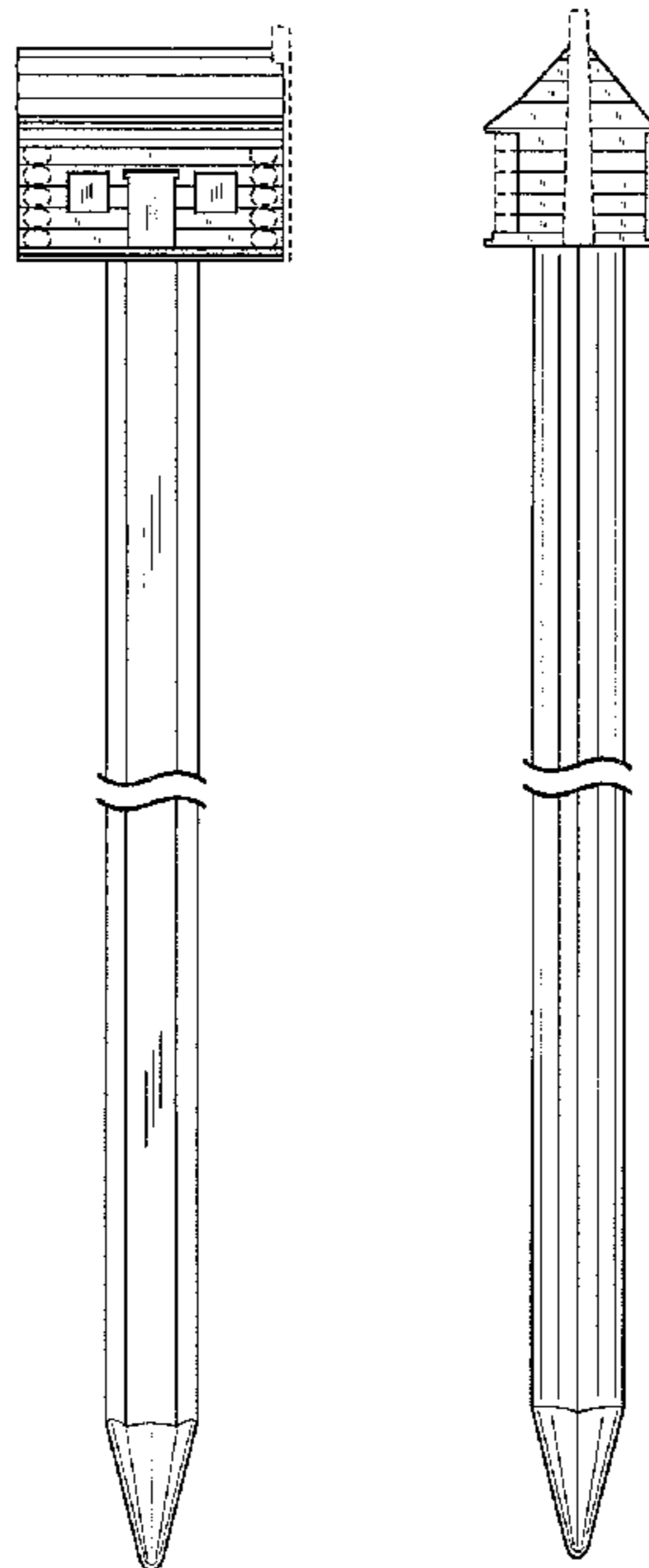
FIG. 5 is a top view thereof; and,

FIG. 6 is a bottom view thereof.

The area between the broken-away lines forms no part of the claim.

The broken lines in the figures depict portions of the knitting needle that form no part of the claimed design.

1 Claim, 1 Drawing Sheet



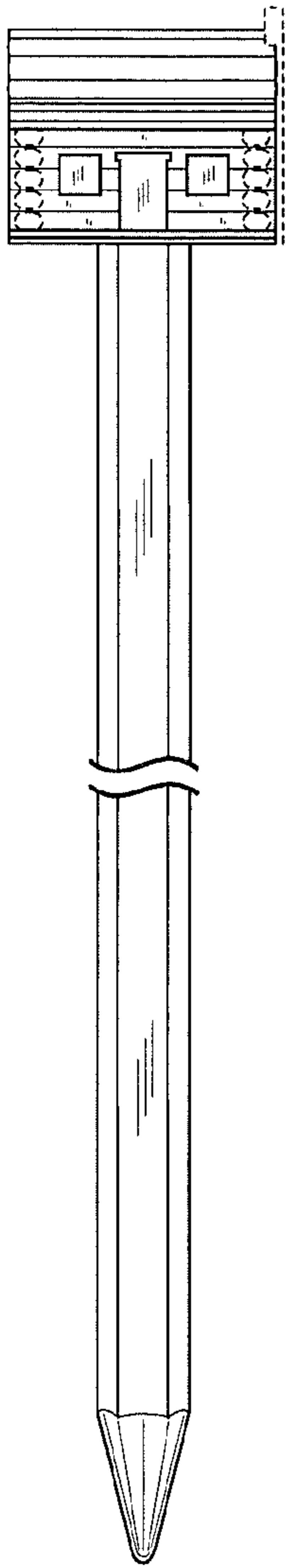


FIG. 1

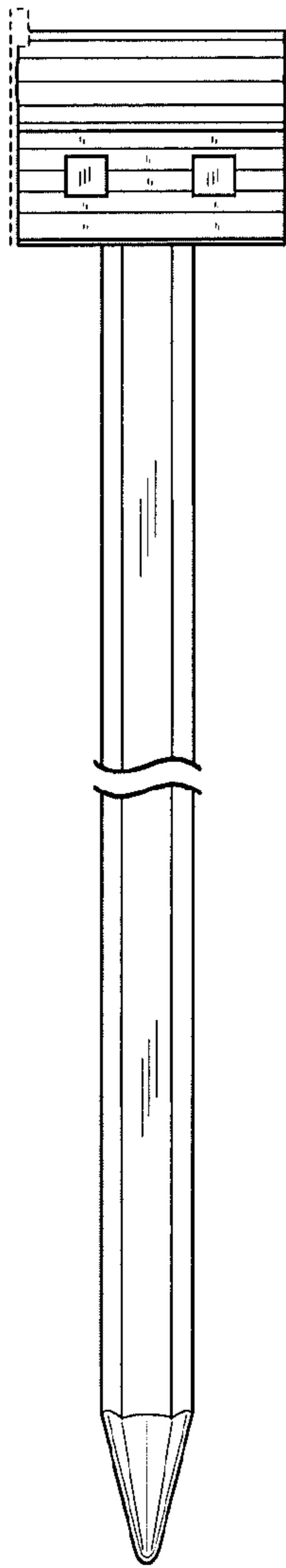


FIG. 2

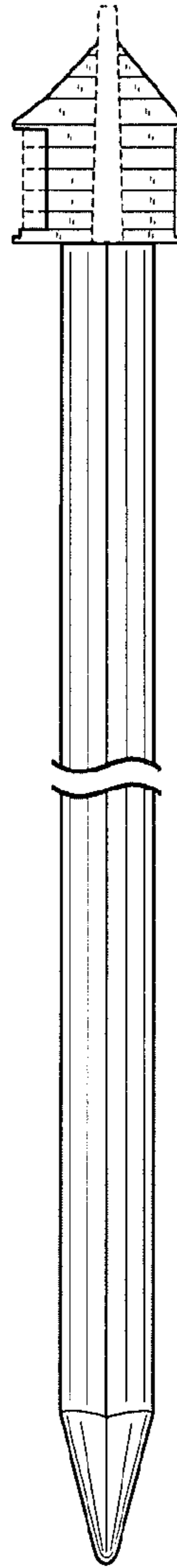


FIG. 3

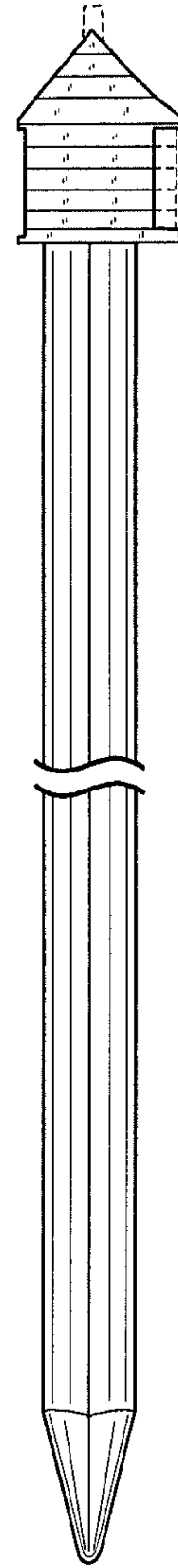


FIG. 4

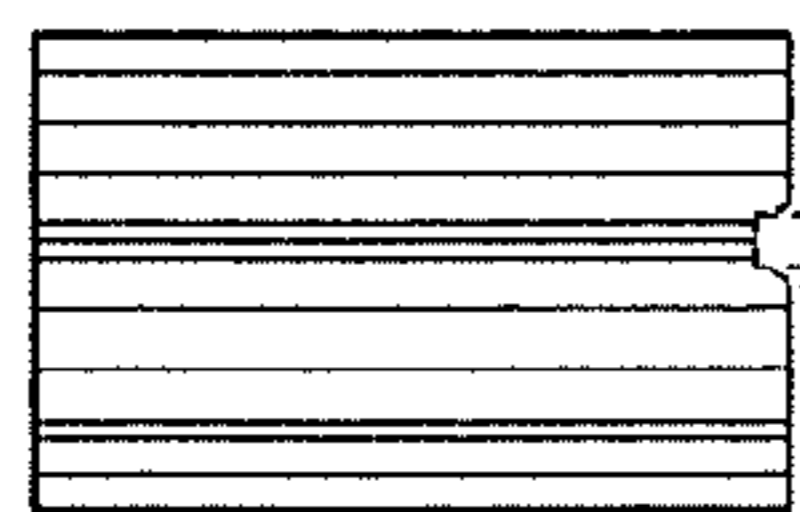


FIG. 5

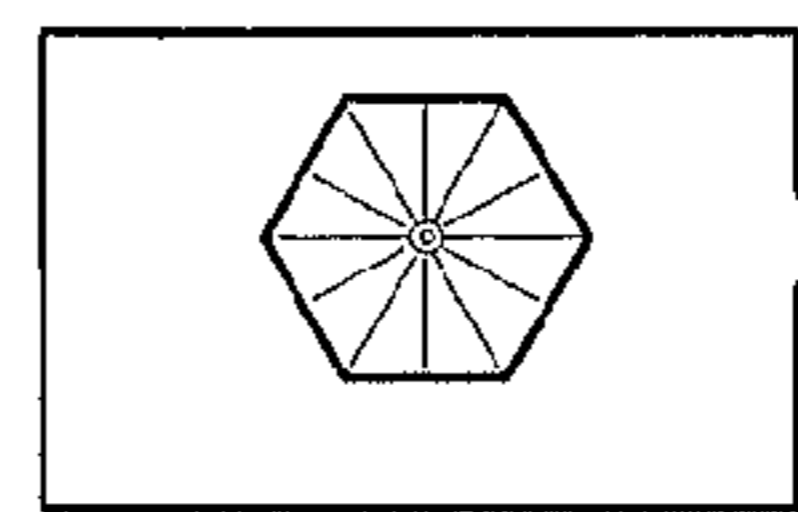


FIG. 6