



US00D654682S

(12) **United States Design Patent**
White

(10) **Patent No.:** **US D654,682 S**

(45) **Date of Patent:** **** Feb. 28, 2012**

(54) **CRUTCH PAD**

(75) **Inventor:** **Velton C. White**, Burlington, WI (US)

(73) **Assignee:** **Go Steady, LLC**, Burlington, WI (US)

(**) **Term:** **14 Years**

(21) **Appl. No.:** **29/376,112**

(22) **Filed:** **Oct. 1, 2010**

(51) **LOC (9) Cl.** **03-03**

(52) **U.S. Cl.** **D3/10**

(58) **Field of Classification Search** D3/5-17;
135/72, 73, 76, 77, 911; D8/107, 303, 306,
D8/307; D12/130, 133, 105

See application file for complete search history.

(56) **References Cited**

U.S. PATENT DOCUMENTS

D142,549 S *	10/1945	Fink	D3/16
D187,842 S *	5/1960	Jeys	D3/16
D208,516 S *	9/1967	Schmid et al.	D3/16
D218,509 S *	8/1970	Levy	D3/16
D231,043 S *	3/1974	Barnett	D3/16
D318,366 S *	7/1991	Goldstein et al.	D3/10
5,582,196 A *	12/1996	Hae et al.	135/65
D443,132 S *	6/2001	Jones	D3/8
D476,148 S *	6/2003	Horton	D3/10

D544,201 S *	6/2007	Berl	D3/12
7,311,111 B2 *	12/2007	Stanec	135/65
D617,544 S *	6/2010	Okoniewski, Jr.	D3/7
2004/0065359 A1 *	4/2004	Stanec	135/72
2010/0043853 A1 *	2/2010	Wu	135/66

* cited by examiner

Primary Examiner — T. Chase Nelson

Assistant Examiner — Ania Aman

(74) *Attorney, Agent, or Firm* — Dorr, Carson & Birney, P.C.

(57) **CLAIM**

The ornamental design for a crutch pad, as shown and described.

DESCRIPTION

FIG. 1 is a rear perspective view of a crutch pad showing my new design.

FIG. 2 is a front perspective view thereof.

FIG. 3 is a left side elevational view thereof, with the right side elevational view being a mirror image of FIG. 3.

FIG. 4 is a top view thereof.

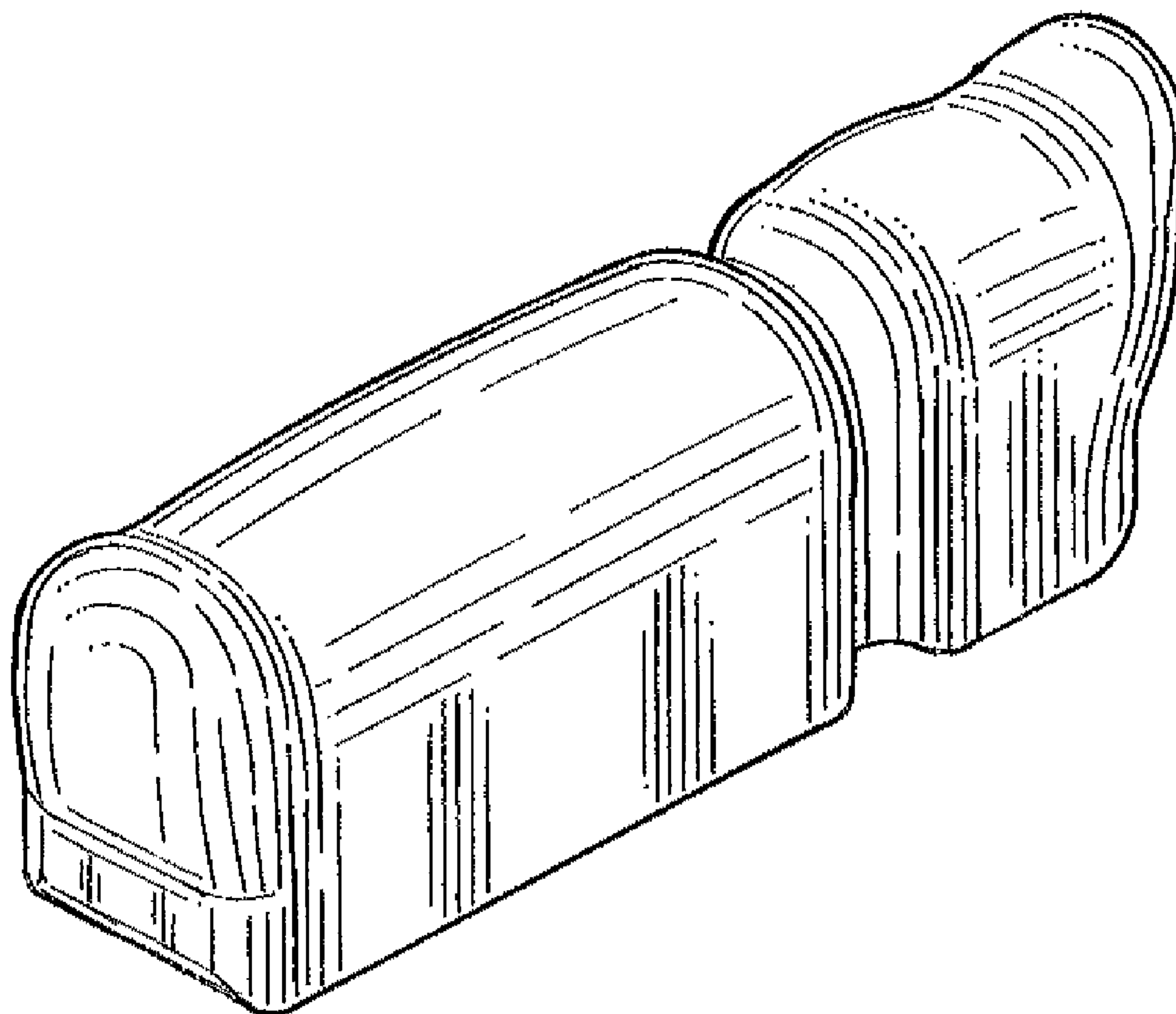
FIG. 5 is a bottom view thereof.

FIG. 6 is a front elevational view thereof; and,

FIG. 7 is a rear elevational view thereof.

In the FIG. 5 view, the broken line boundary and area within it form no part of the claimed design.

1 Claim, 3 Drawing Sheets



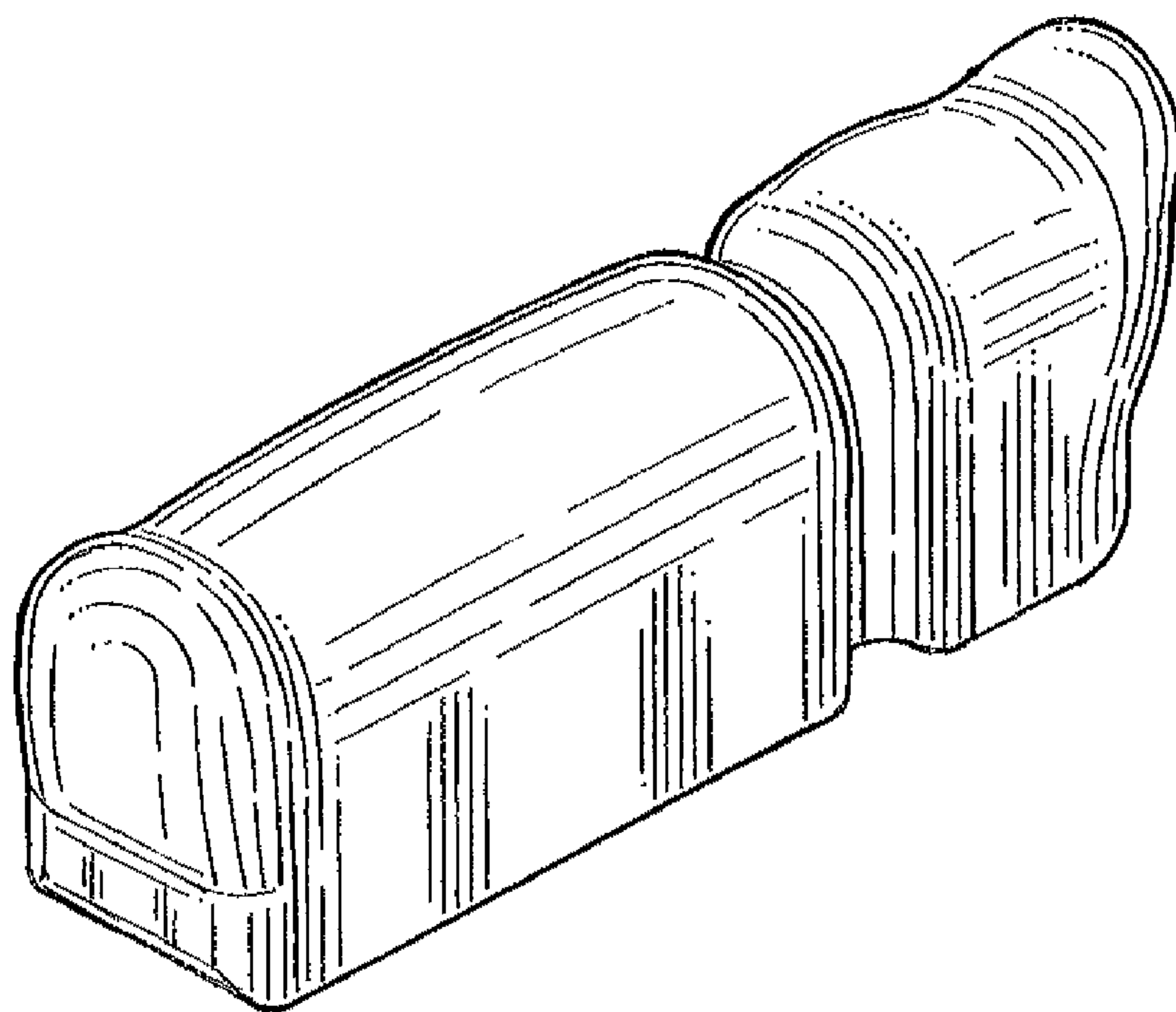


Fig. 1

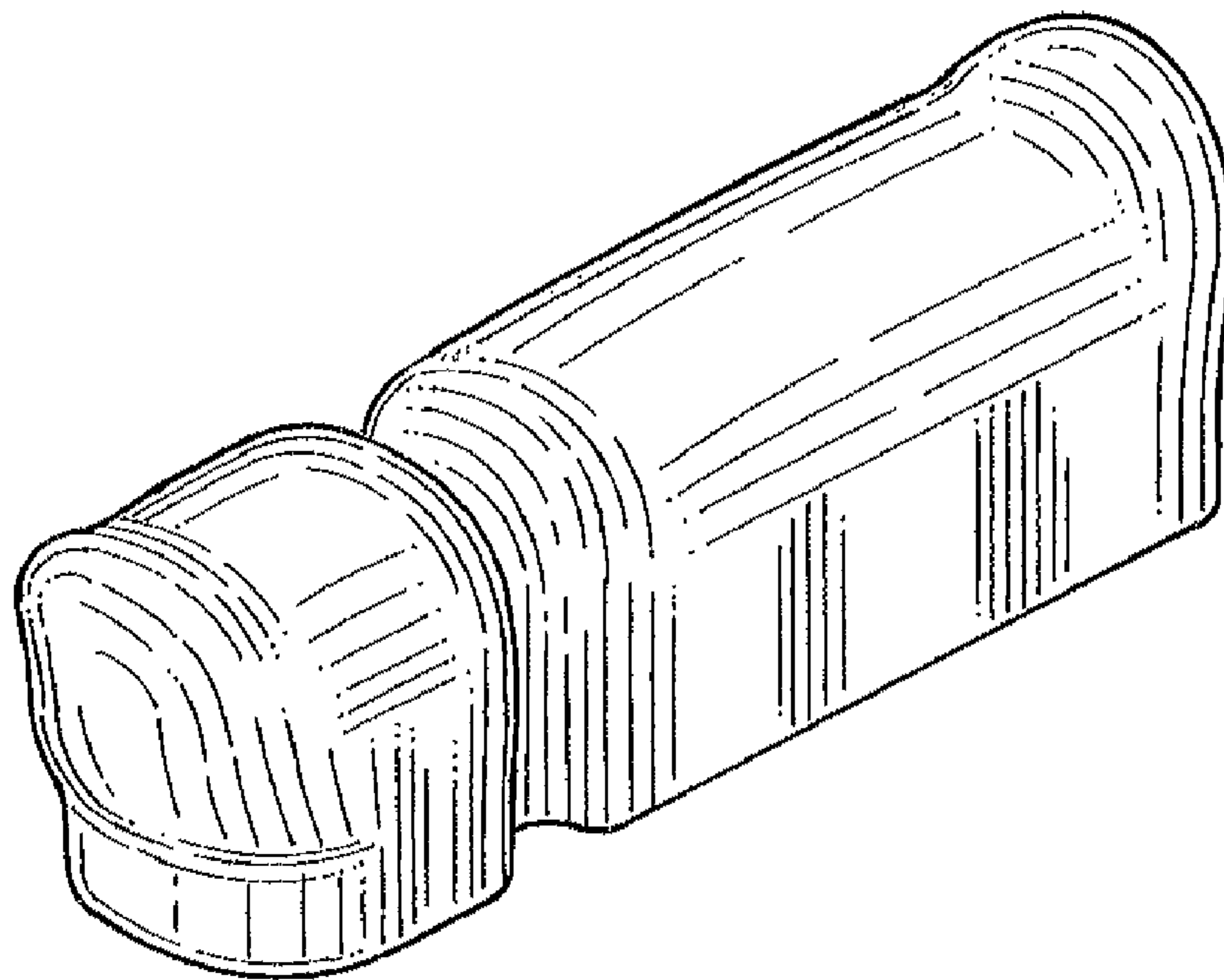


Fig. 2

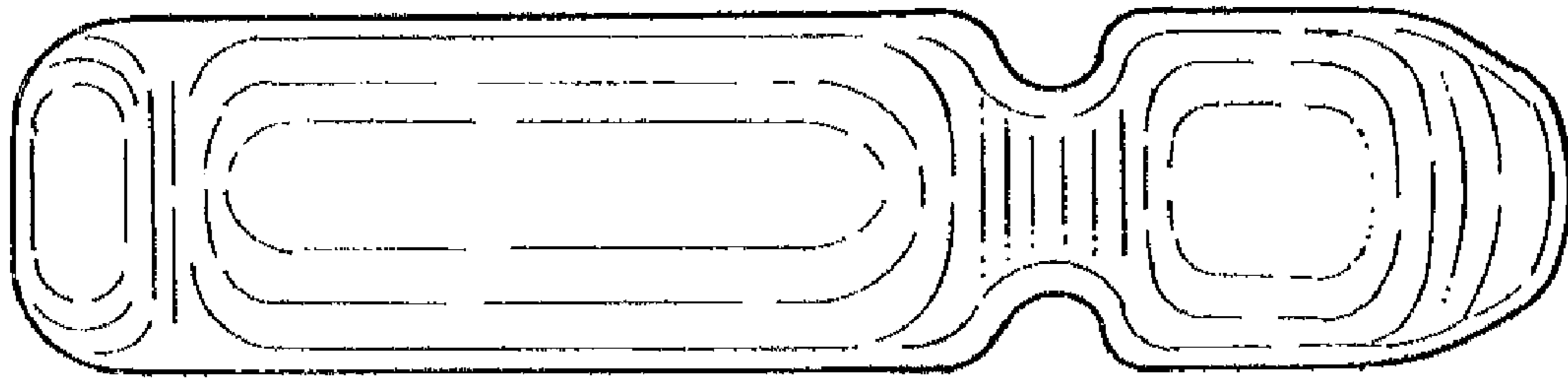


Fig. 4

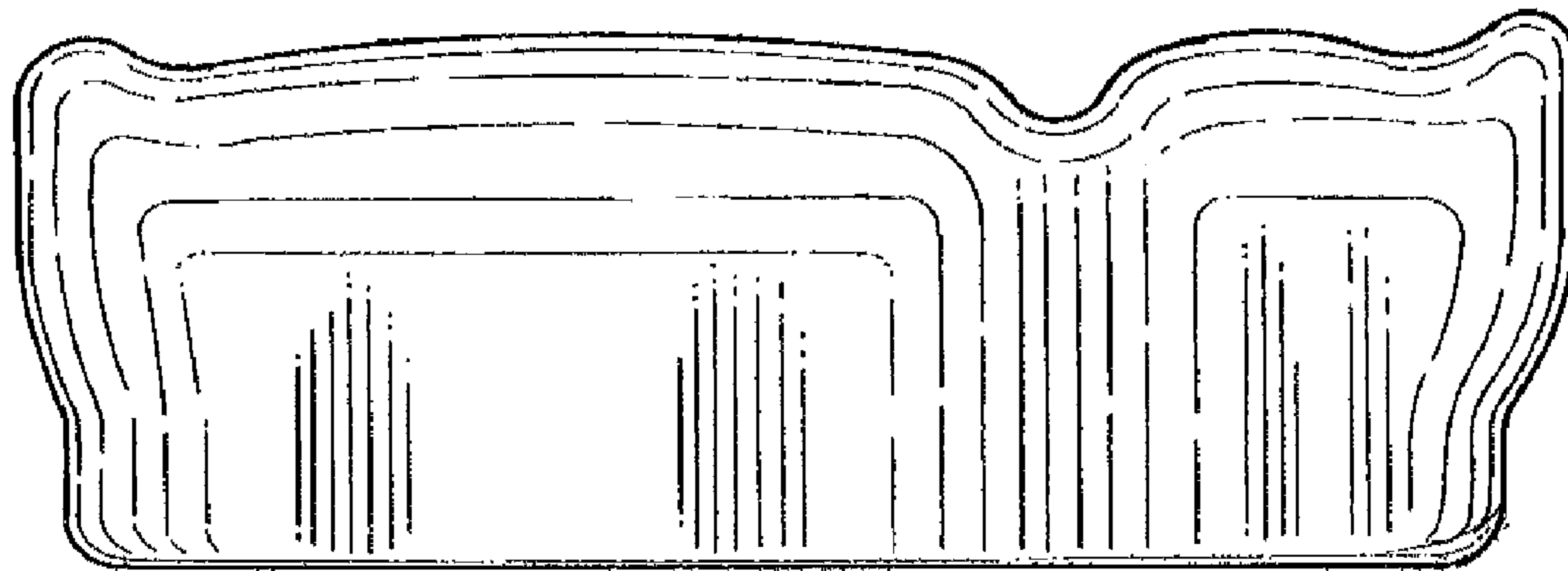


Fig. 3

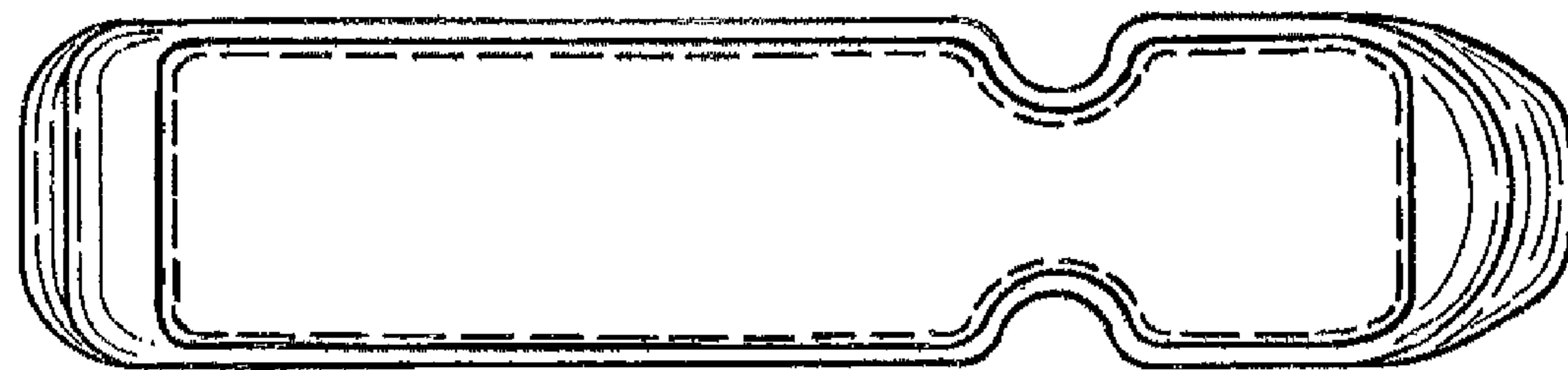


Fig. 5

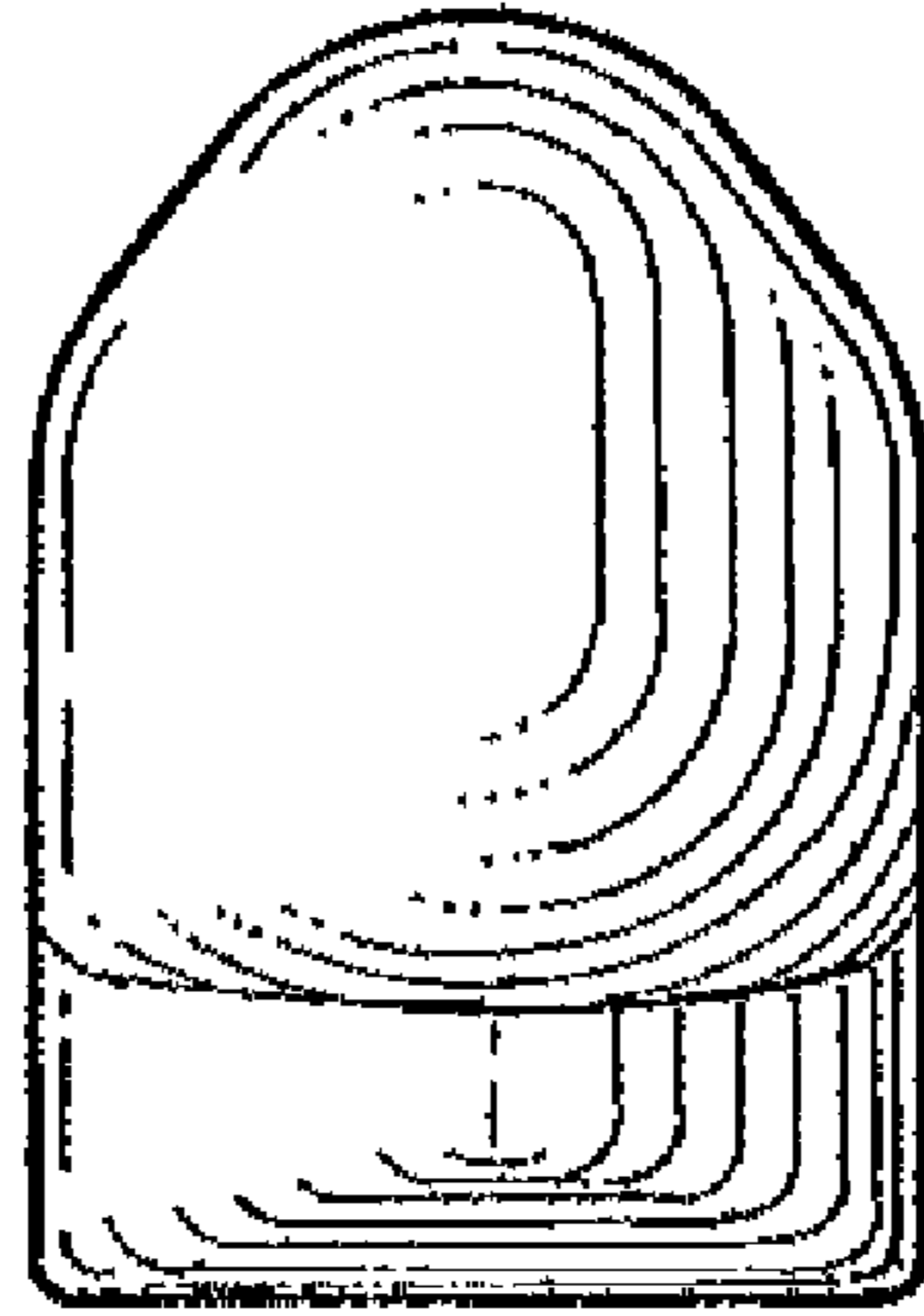


Fig. 6

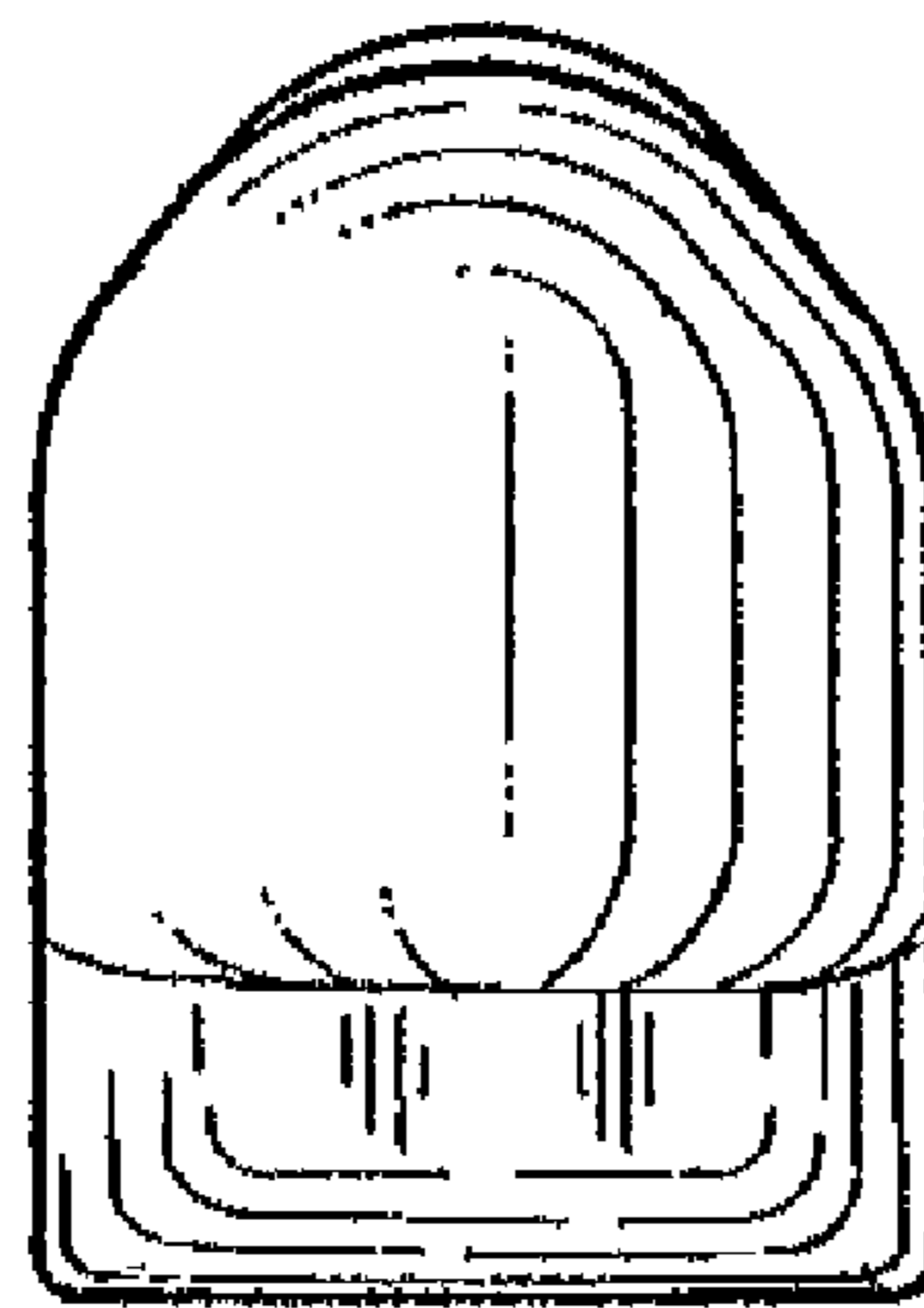


Fig. 7