



US00D654674S

(12) **United States Design Patent**
McClaskie

(10) **Patent No.:** **US D654,674 S**

(45) **Date of Patent:** **** Feb. 28, 2012**

(54) **SHOE**

(75) **Inventor:** **Thomas E. McClaskie**, Bethlehem, PA
(US)

(73) **Assignee:** **Columbia Insurance Company**,
Omaha, NE (US)

(**) **Term:** **14 Years**

(21) **Appl. No.:** **29/392,716**

(22) **Filed:** **May 25, 2011**

(51) **LOC (9) Cl.** **02-04**

(52) **U.S. Cl.** **D2/952; D2/951**

(58) **Field of Classification Search** D2/902,
D2/906, 908, 916, 918, 925, 946-962, 977;
36/3 B, 22 R, 24.5, 25 R, 28, 32 R, 34 R,
36/59 C, 67 A, 103

See application file for complete search history.

(56) **References Cited**

U.S. PATENT DOCUMENTS

1,988,784	A	*	1/1935	Carrier	36/59 C
D399,341	S		10/1998	Munns		
D542,015	S	*	5/2007	McClaskie	D2/952
D545,534	S		7/2007	McClaskie		
D548,433	S		8/2007	McClaskie		
D559,507	S	*	1/2008	McClaskie	D2/952
D569,083	S		5/2008	McClaskie		
D571,088	S		6/2008	St-Louis et al.		
D583,138	S	*	12/2008	McClaskie	D2/953
D590,141	S		4/2009	McClaskie		
D593,289	S	*	6/2009	McClaskie	D2/952
D599,090	S	*	9/2009	McClaskie	D2/952
D603,149	S	*	11/2009	McClaskie	D2/952
D603,591	S	*	11/2009	McClaskie	D2/952

D603,592	S	*	11/2009	McClaskie	D2/952
D603,593	S	*	11/2009	McClaskie	D2/952
D607,195	S	*	1/2010	Feller et al.	D2/961
D609,889	S		2/2010	McClaskie		
D610,787	S	*	3/2010	McClaskie	D2/952
D617,540	S		6/2010	McClaskie		
D619,342	S	*	7/2010	McClaskie	D2/953
D619,794	S		7/2010	McClaskie		
D621,146	S		8/2010	McClaskie		
D622,489	S	*	8/2010	McClaskie	D2/952
D622,490	S	*	8/2010	McClaskie	D2/952
D626,735	S		11/2010	McClaskie		
D627,548	S		11/2010	McClaskie		

* cited by examiner

Primary Examiner — T. Chase Nelson

(74) *Attorney, Agent, or Firm* — St. Onge Steward Johnston
& Reens LLC

(57) **CLAIM**

The ornamental design for a shoe, as shown and described.

DESCRIPTION

FIG. 1 is a bottom perspective view of a shoe in accordance with the new design;

FIG. 2 is a bottom view thereof;

FIG. 3 is a top view thereof;

FIG. 4 is a left side view thereof;

FIG. 5 is a right side view thereof;

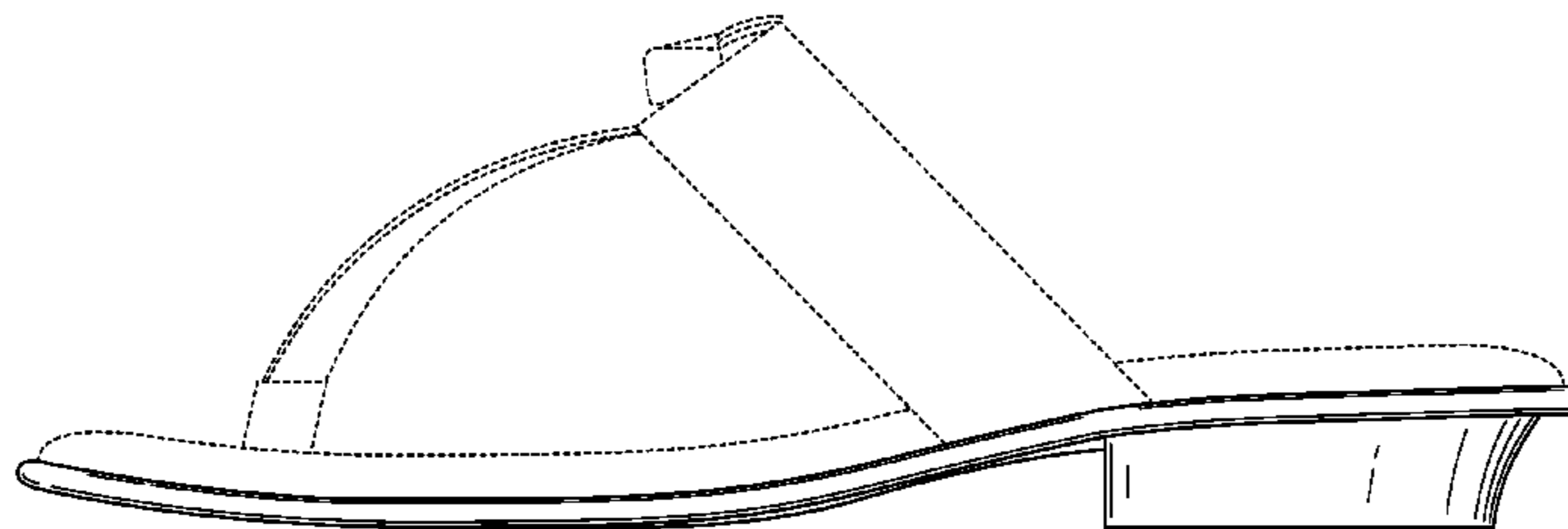
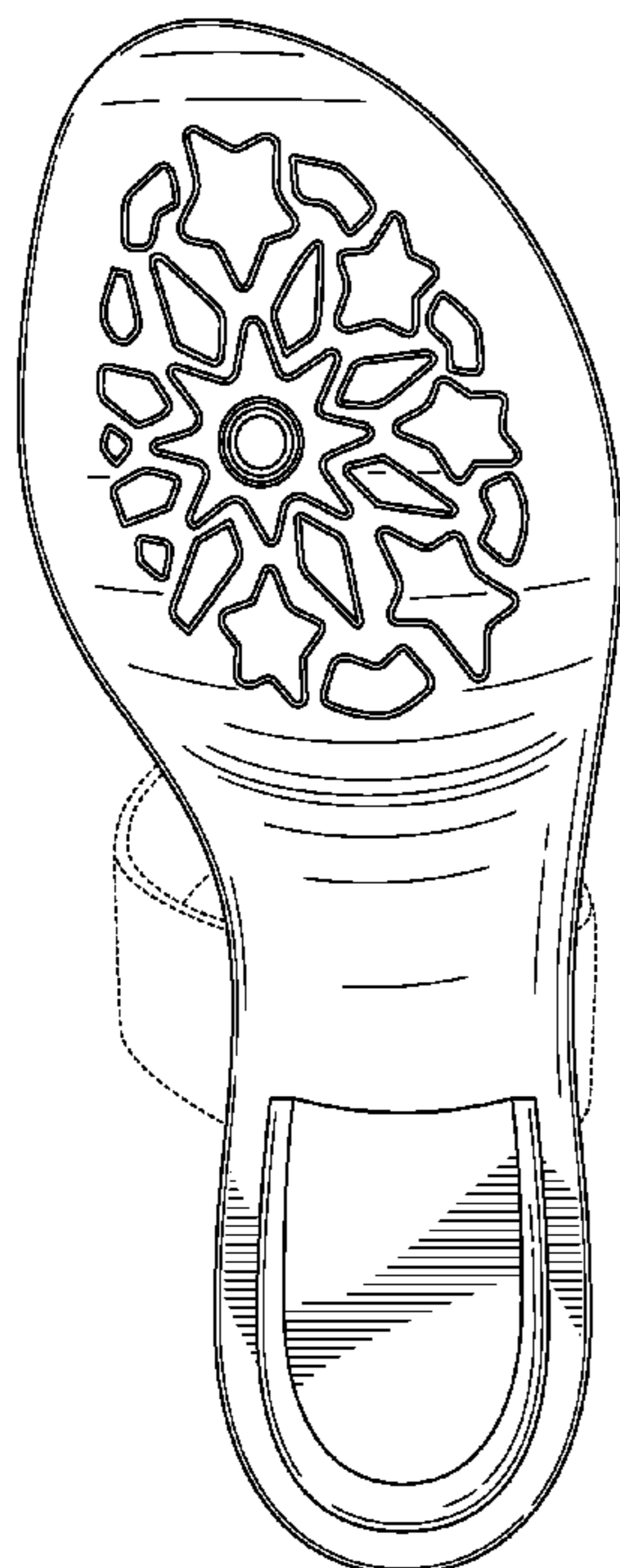
FIG. 6 is a front view thereof;

FIG. 7 is a rear view thereof; and,

FIG. 8 is an enlarged perspective view of the area labeled "8" in FIG. 1.

The shoe upper shown in broken lines in FIGS. 1-7 is for environmental purposes only and forms no part of the claimed design.

1 Claim, 7 Drawing Sheets



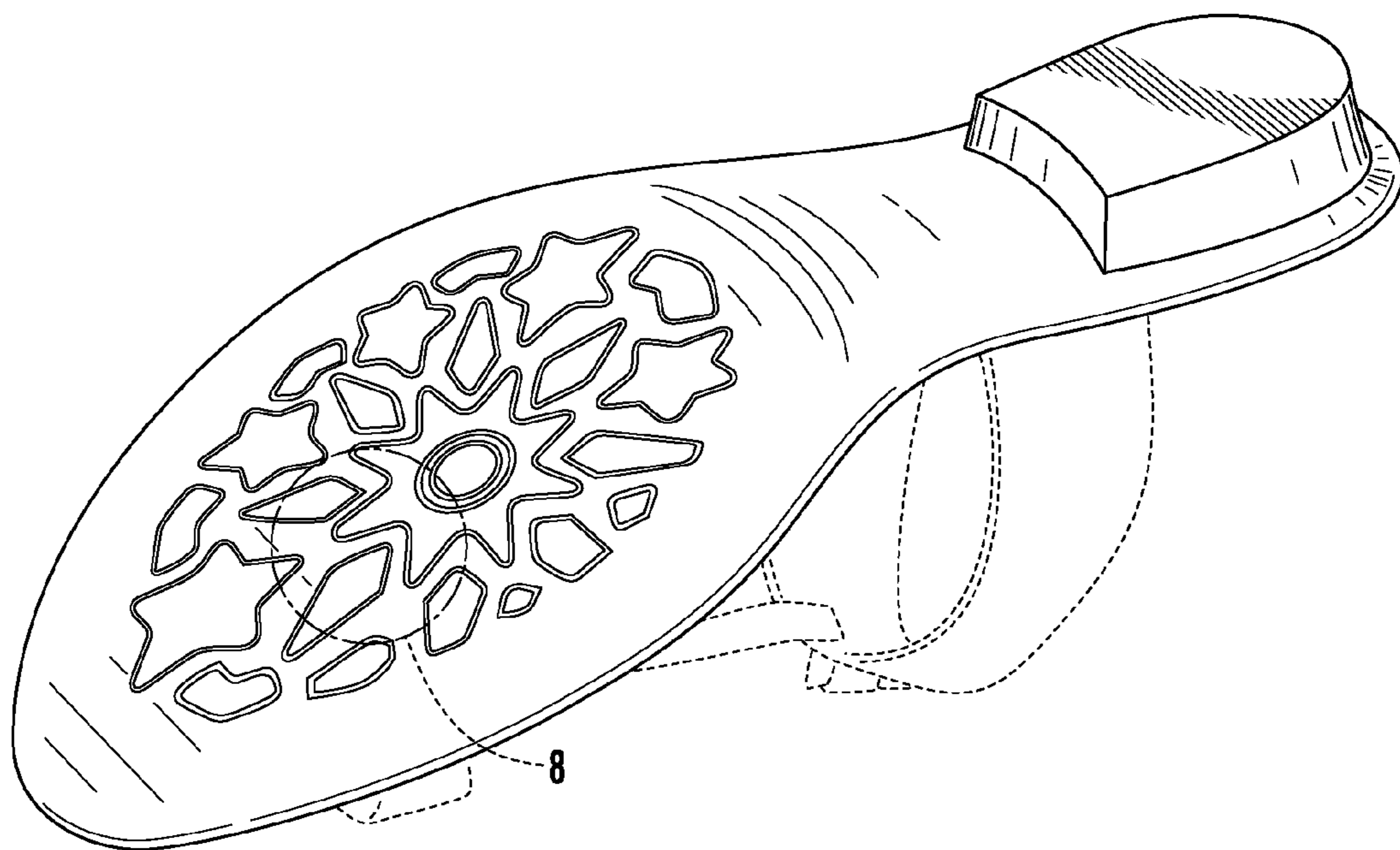


FIG. 1

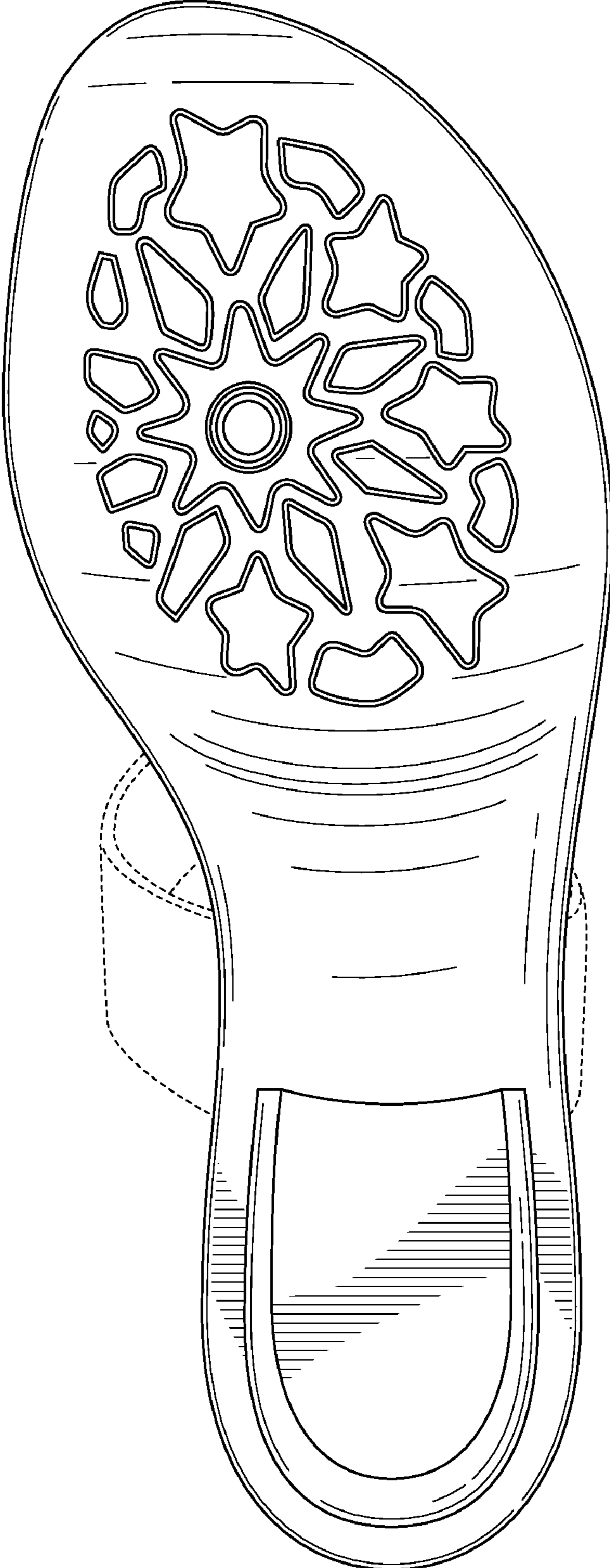


FIG. 2

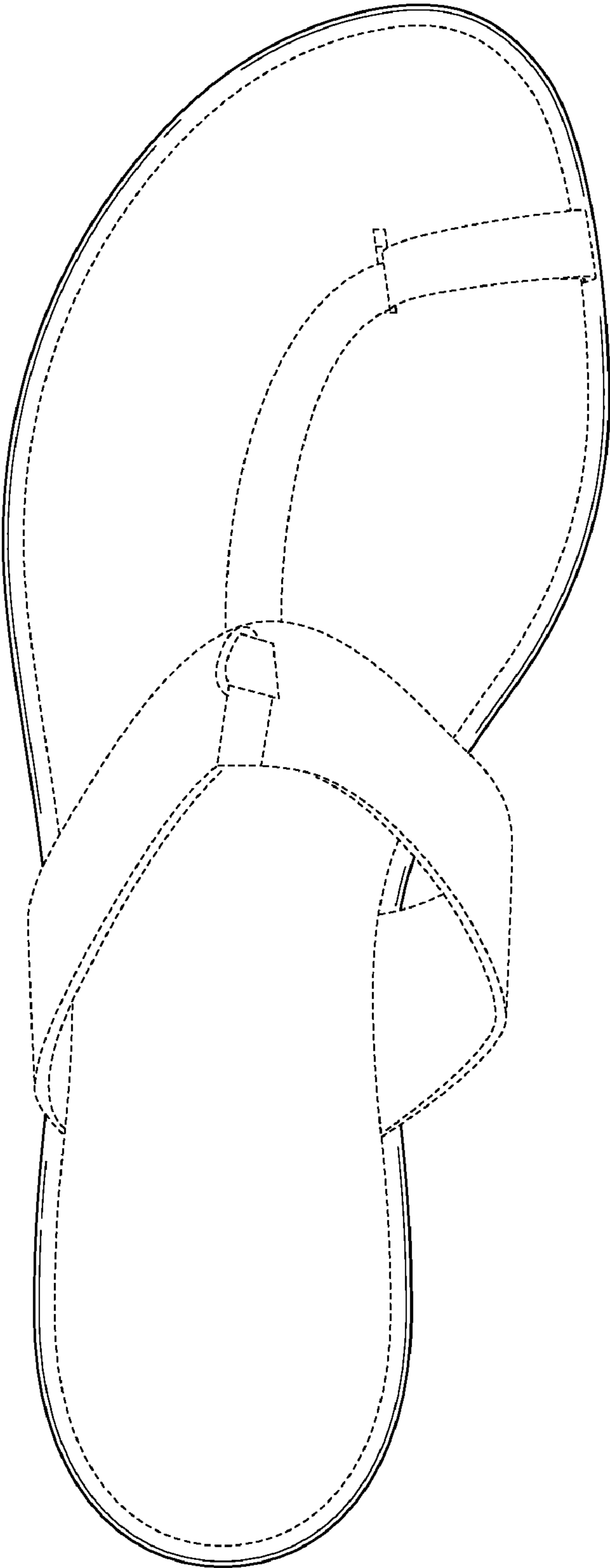


FIG. 3

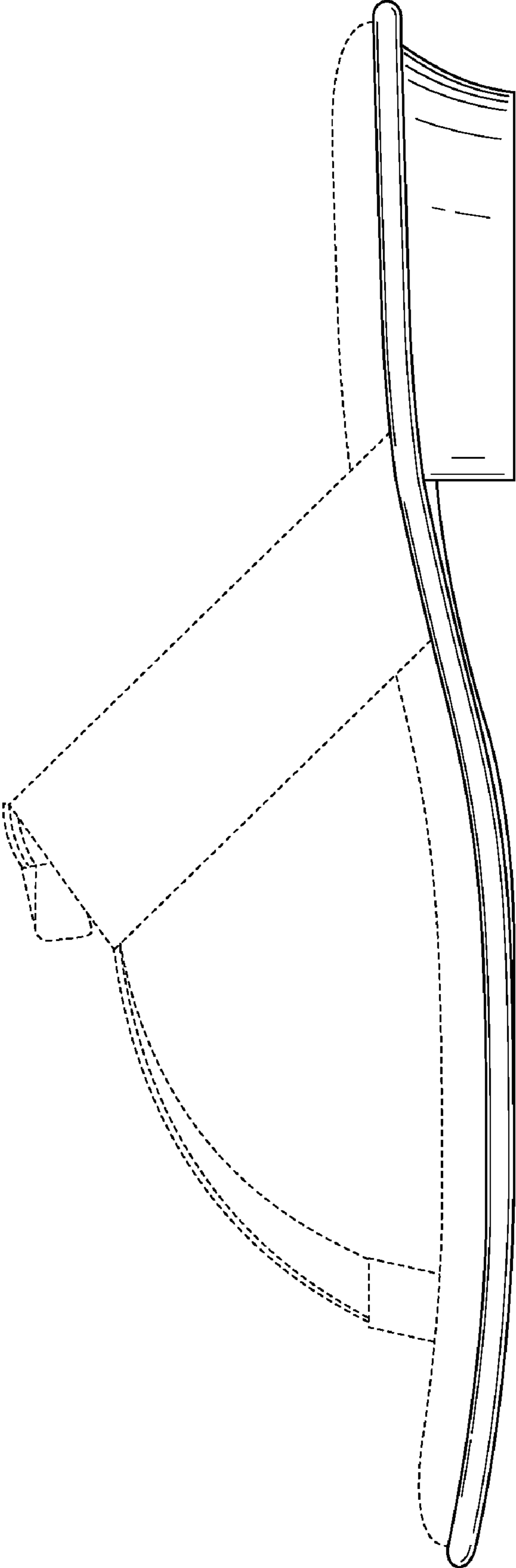


FIG. 4

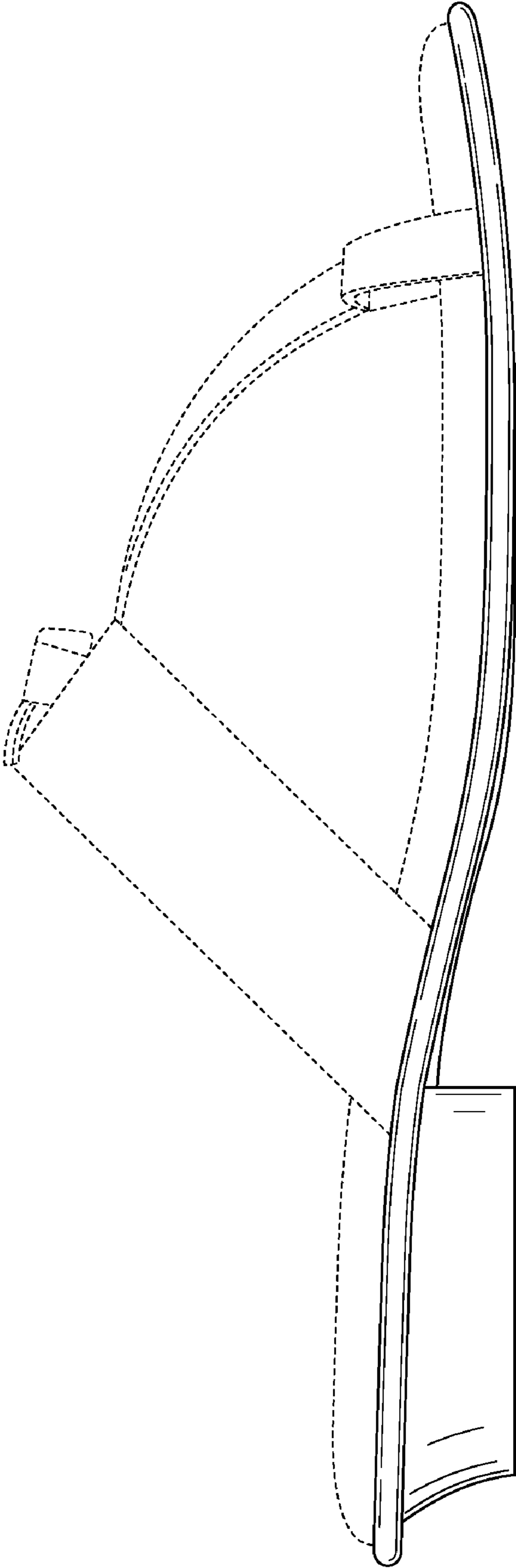


FIG. 5

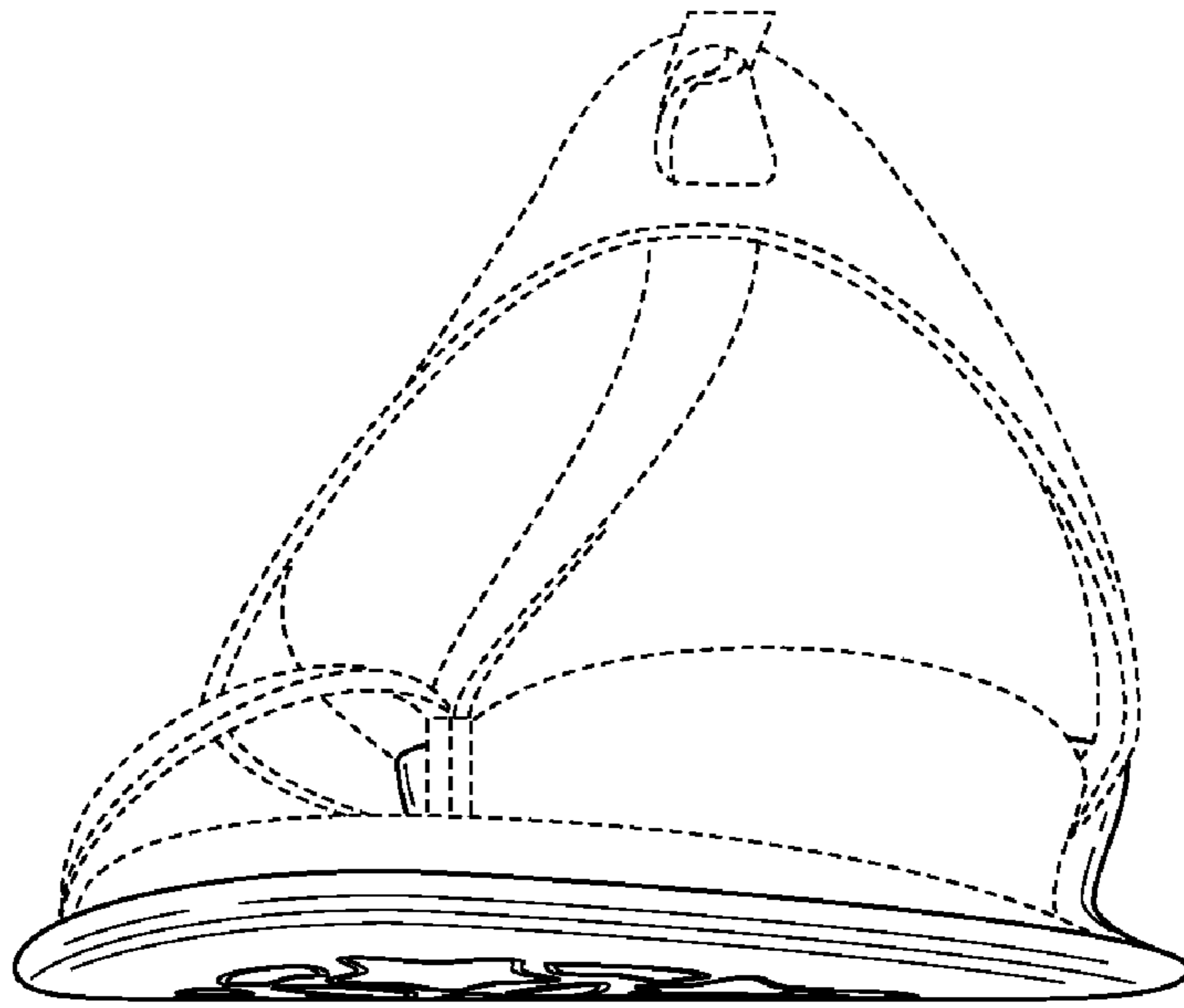


FIG. 6

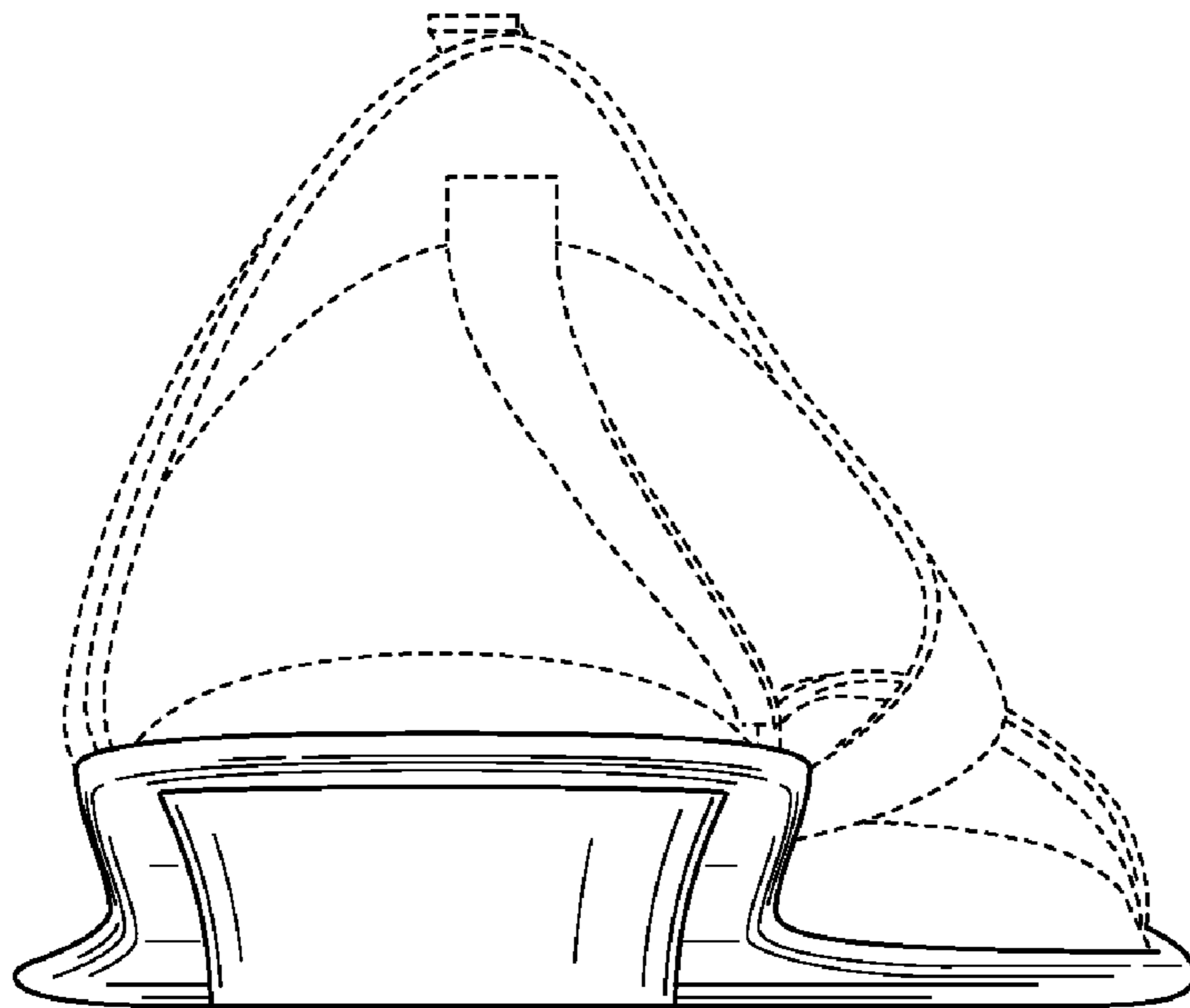


FIG. 7

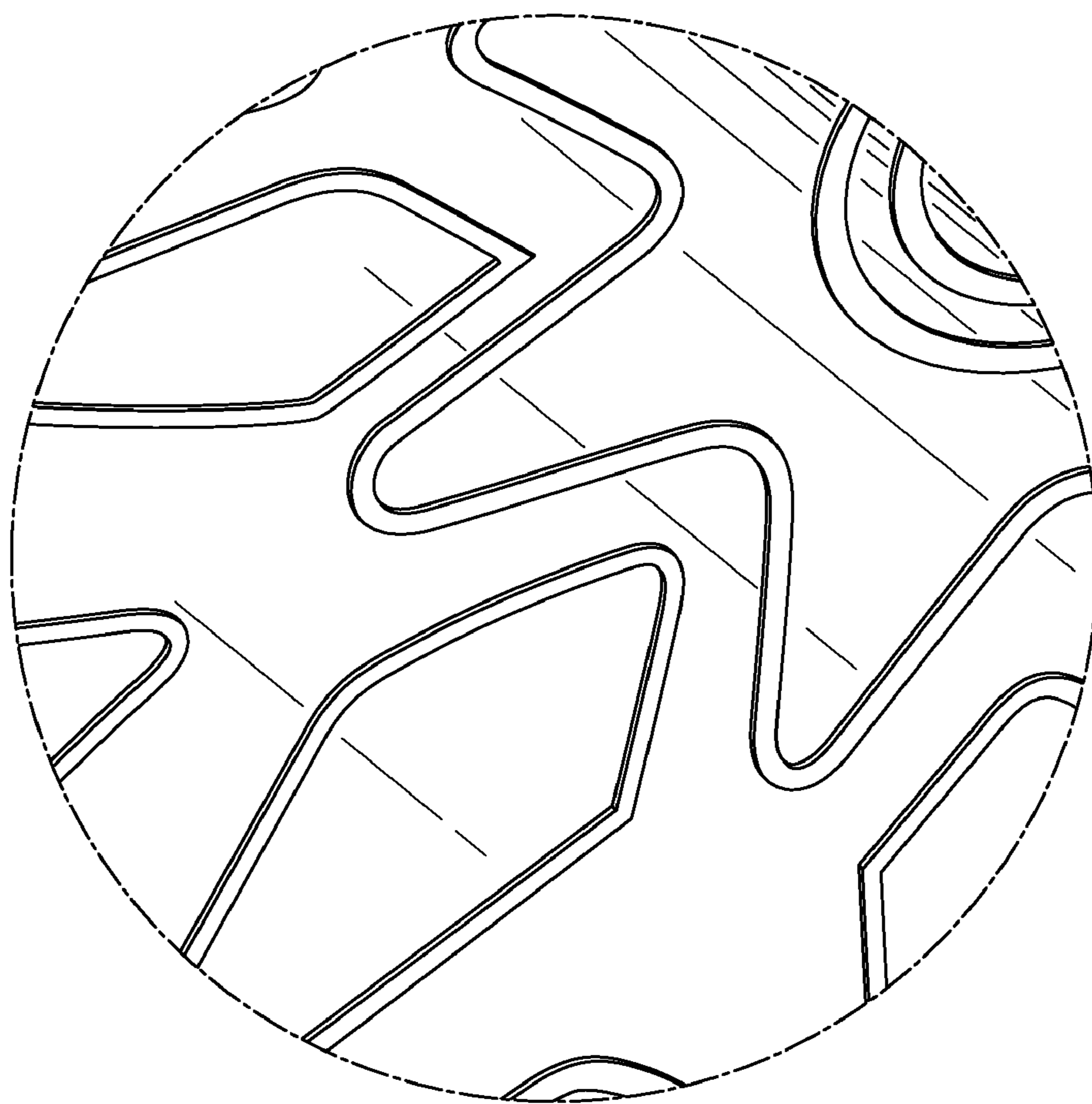


FIG. 8