



US00D654669S

(12) **United States Design Patent**
Hunter et al.

(10) **Patent No.:** **US D654,669 S**

(45) **Date of Patent:** **** Feb. 28, 2012**

(54) **GEL SHOE**

(76) Inventors: **Tracey Hunter**, North Miami, FL (US);
Cheryl Hamersmith-Stewart, North
Miami, FL (US)

(**) Term: **14 Years**

(21) Appl. No.: **29/387,295**

(22) Filed: **Mar. 11, 2011**

(51) **LOC (9) Cl.** **02-04**

(52) **U.S. Cl.** **D2/917; D2/952**

(58) **Field of Classification Search** D2/900,
D2/898, 904–909, 916–918, 943, 959, 961,
D2/969, 972; 36/45, 7.3, 133–135, 77 R,
36/59, 127, 122, 123, 7.1 R

See application file for complete search history.

(56) **References Cited**

U.S. PATENT DOCUMENTS

D486,296 S *	2/2004	Morrison et al.	D2/917
D495,123 S *	8/2004	Wakatake	D2/969
D568,034 S *	5/2008	Horton et al.	D2/952
D570,088 S *	6/2008	Lee	D2/969
D576,388 S *	9/2008	del Biondi et al.	D2/916
D576,389 S *	9/2008	del Biondi et al.	D2/916
D609,887 S *	2/2010	McClaskie	D2/952

* cited by examiner

Primary Examiner — Robert M Spear

Assistant Examiner — Rashida C McCoy

(74) *Attorney, Agent, or Firm* — Fleit Gibbons Gutman
Bongini & Bianco, PL; Paul D. Bianco; Gary S. Winer

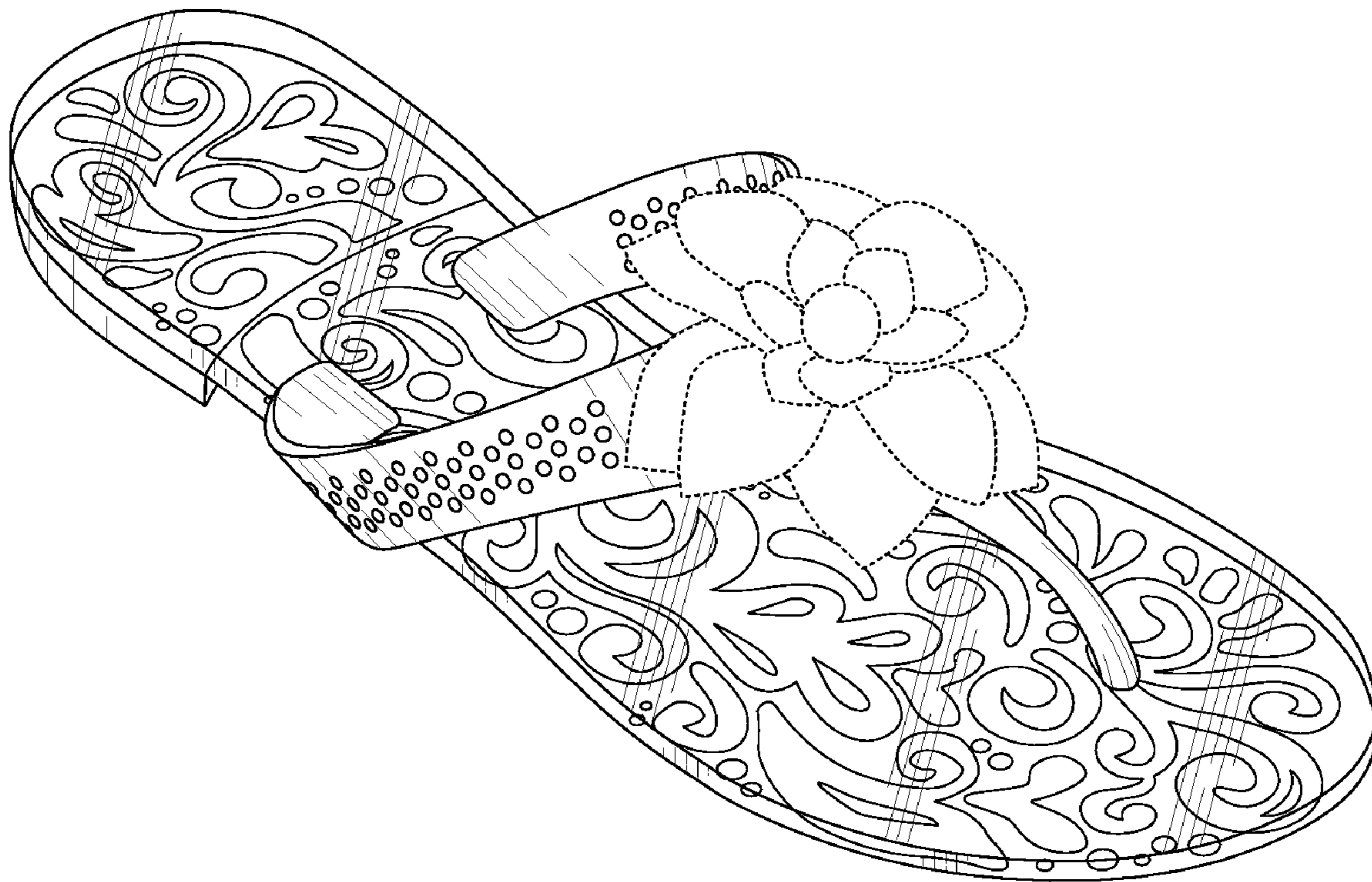
(57) **CLAIM**

The ornamental design for a gel shoe, as shown and
described.

DESCRIPTION

FIG. 1 is a perspective view of a gel shoe showing our new
design, with a replaceable ornament attached;
FIG. 2 is a side view thereof;
FIG. 3 is a top view thereof;
FIG. 4 is a bottom view thereof;
FIG. 5 is a perspective view of a gel shoe of FIG. 1, with the
unclaimed ornament removed;
FIG. 6 is an enlarged detailed side view thereof;
FIG. 7 is an enlarged detailed perspective view thereof;
FIG. 8 is an enlarged detailed bottom view thereof; and,
FIG. 9 is a top view of a gel shoe, with the bottom removed
from with strap for clarity of disclosure.
The broken lines illustrate environmental structure and form
no part of the claimed design.

1 Claim, 5 Drawing Sheets



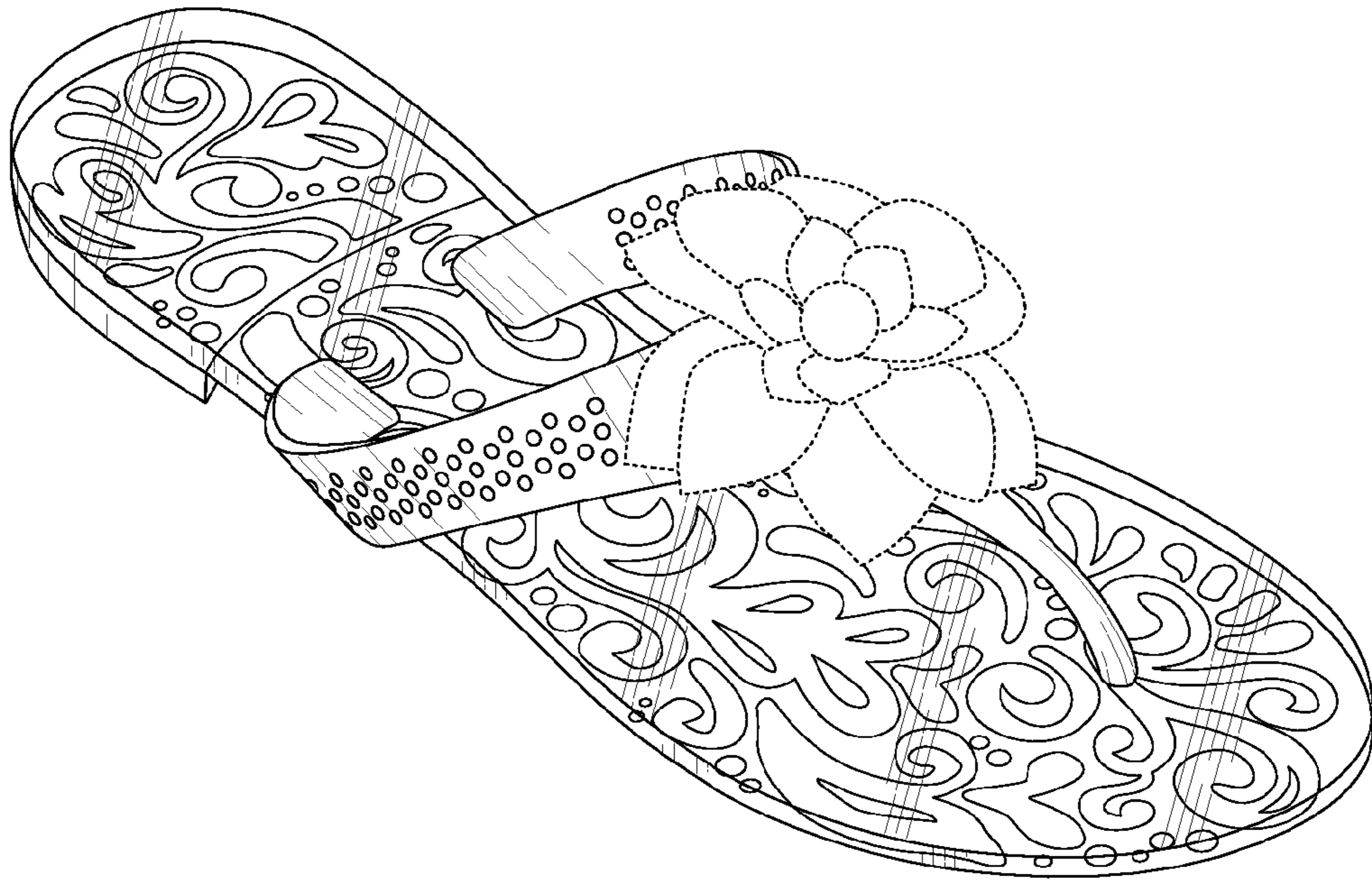


FIG. 1

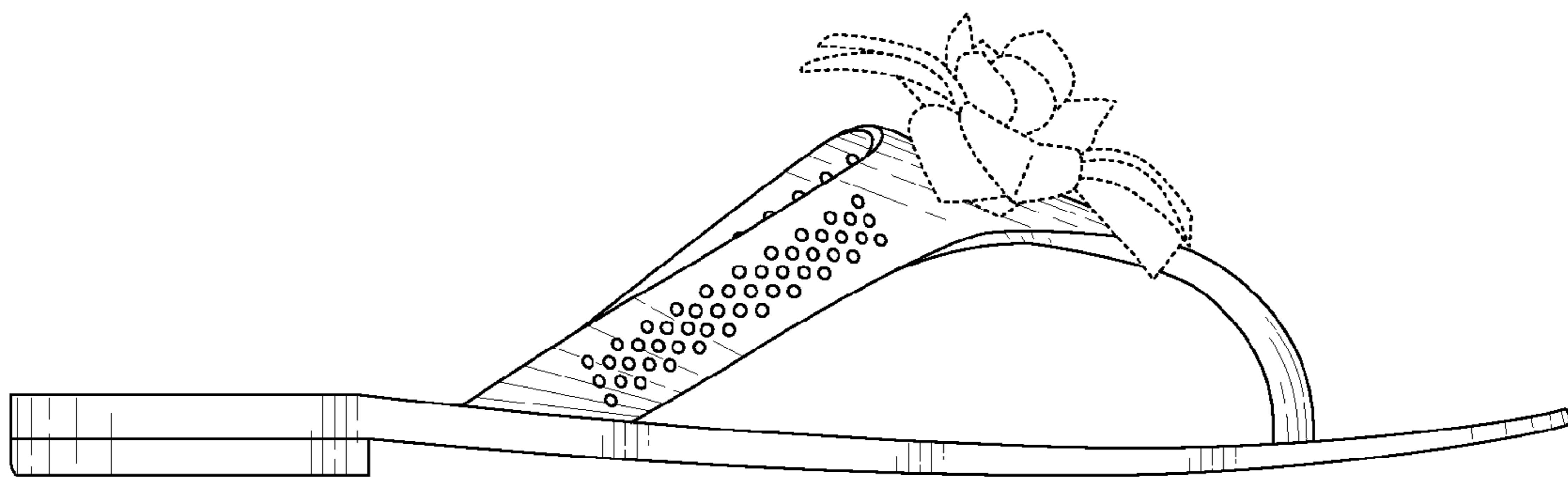


FIG. 2

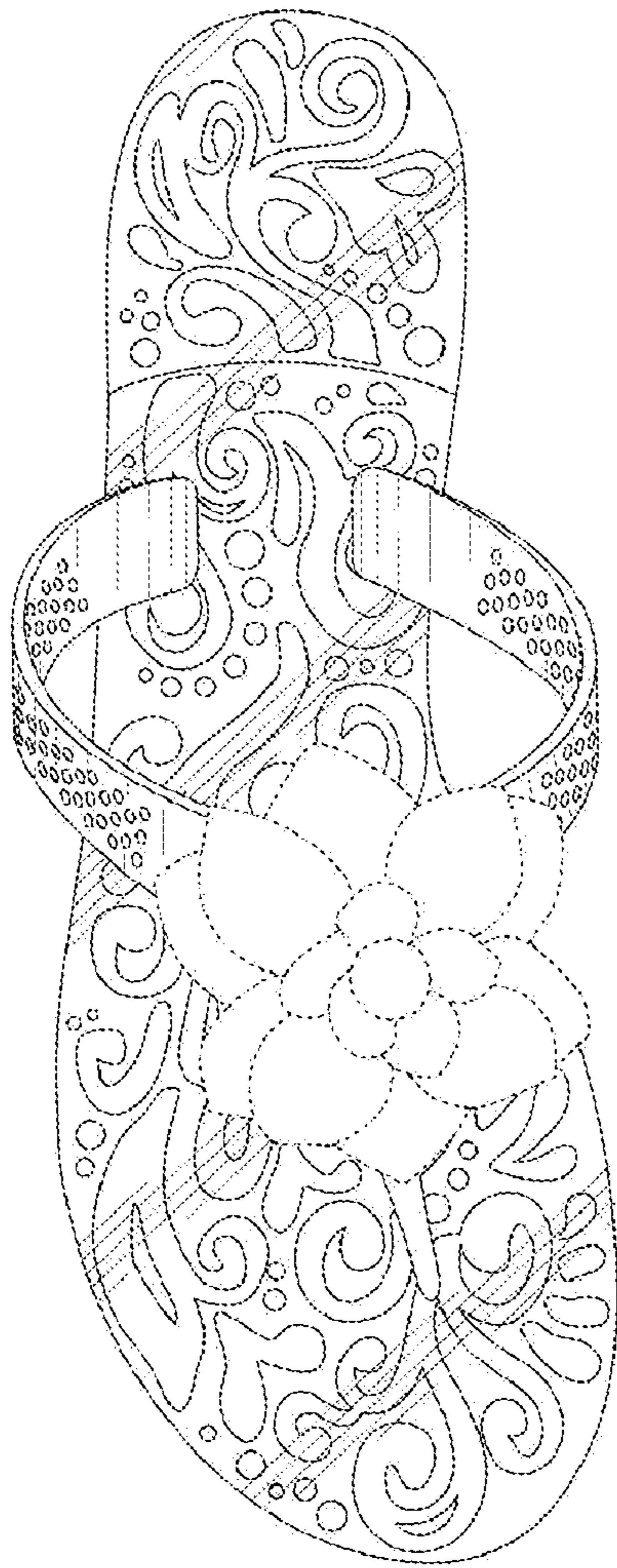


FIG. 3

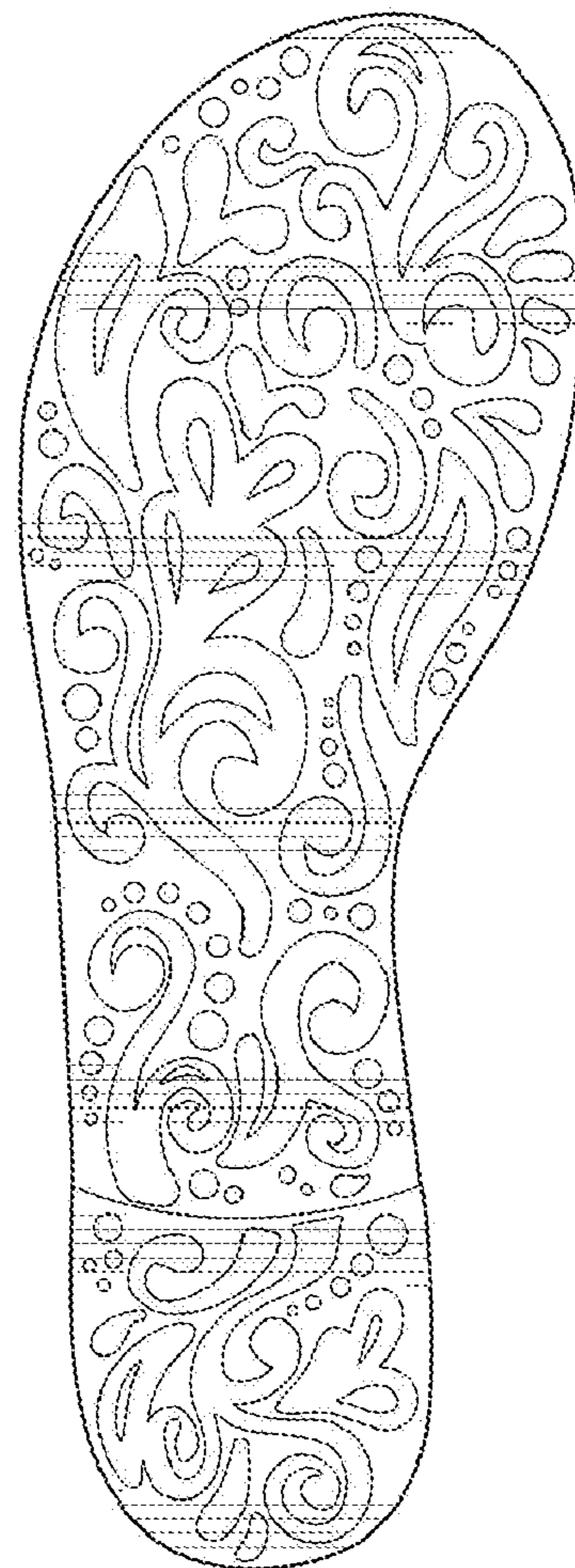


FIG. 4

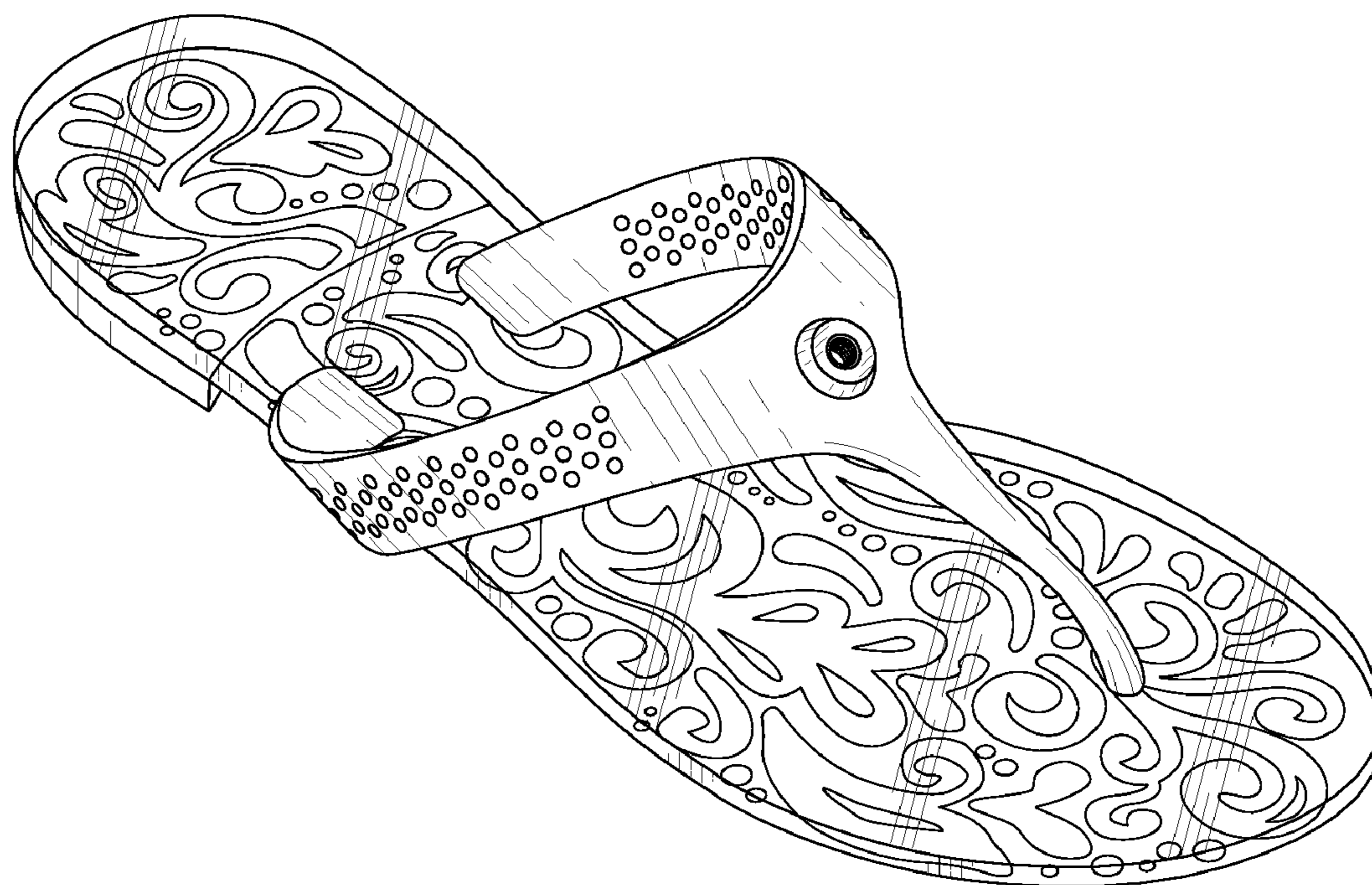


FIG. 5

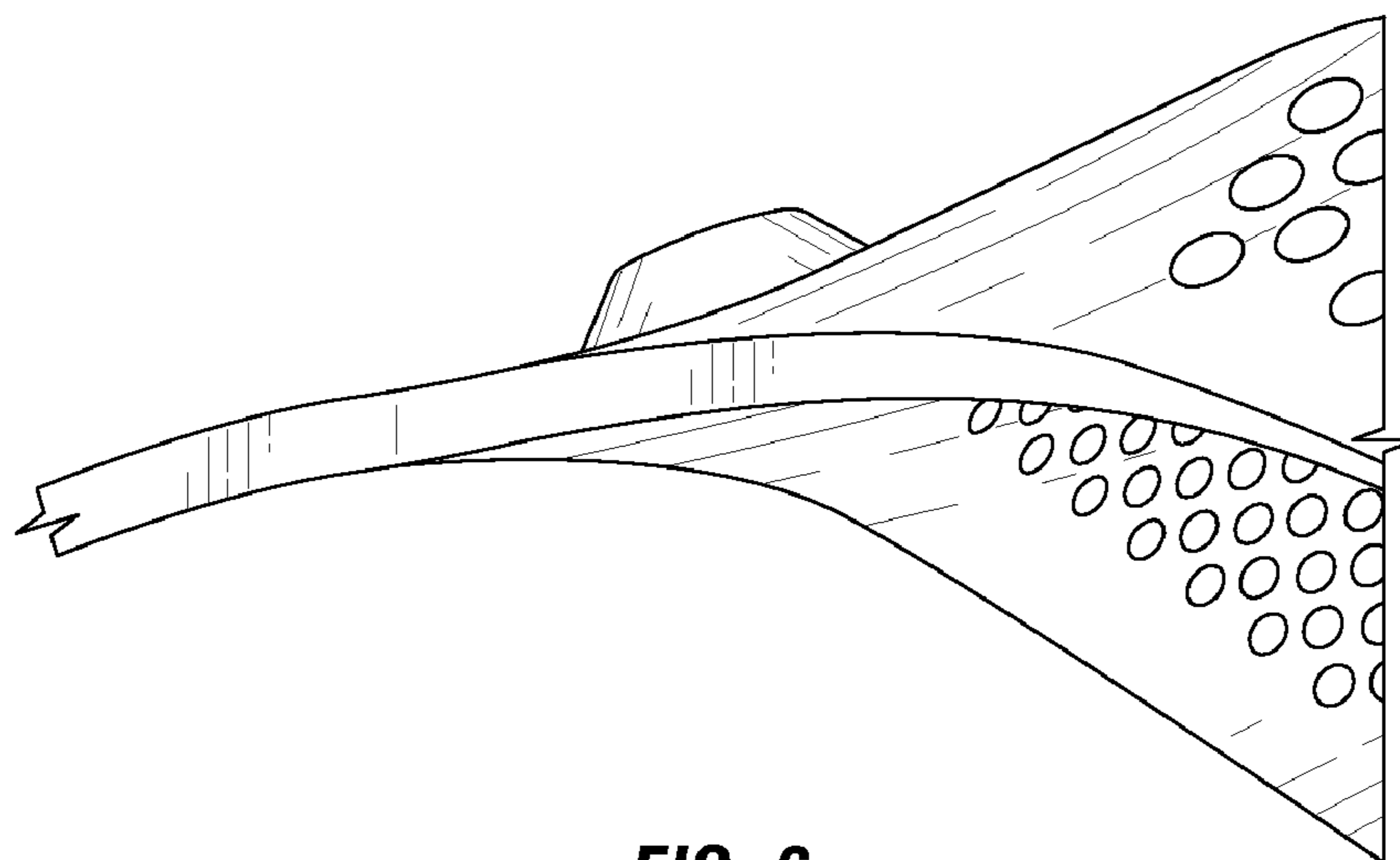


FIG. 6

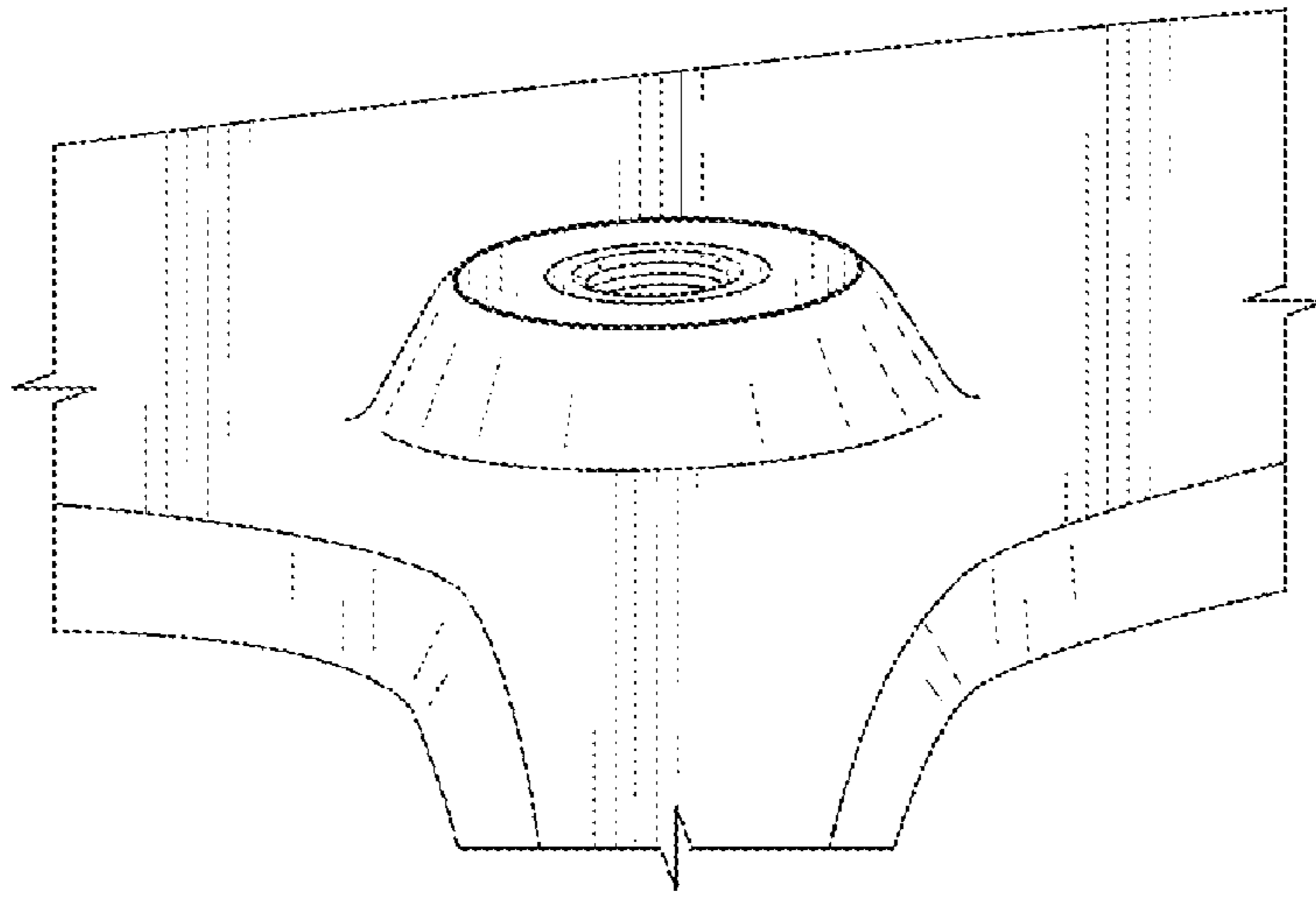


FIG. 7

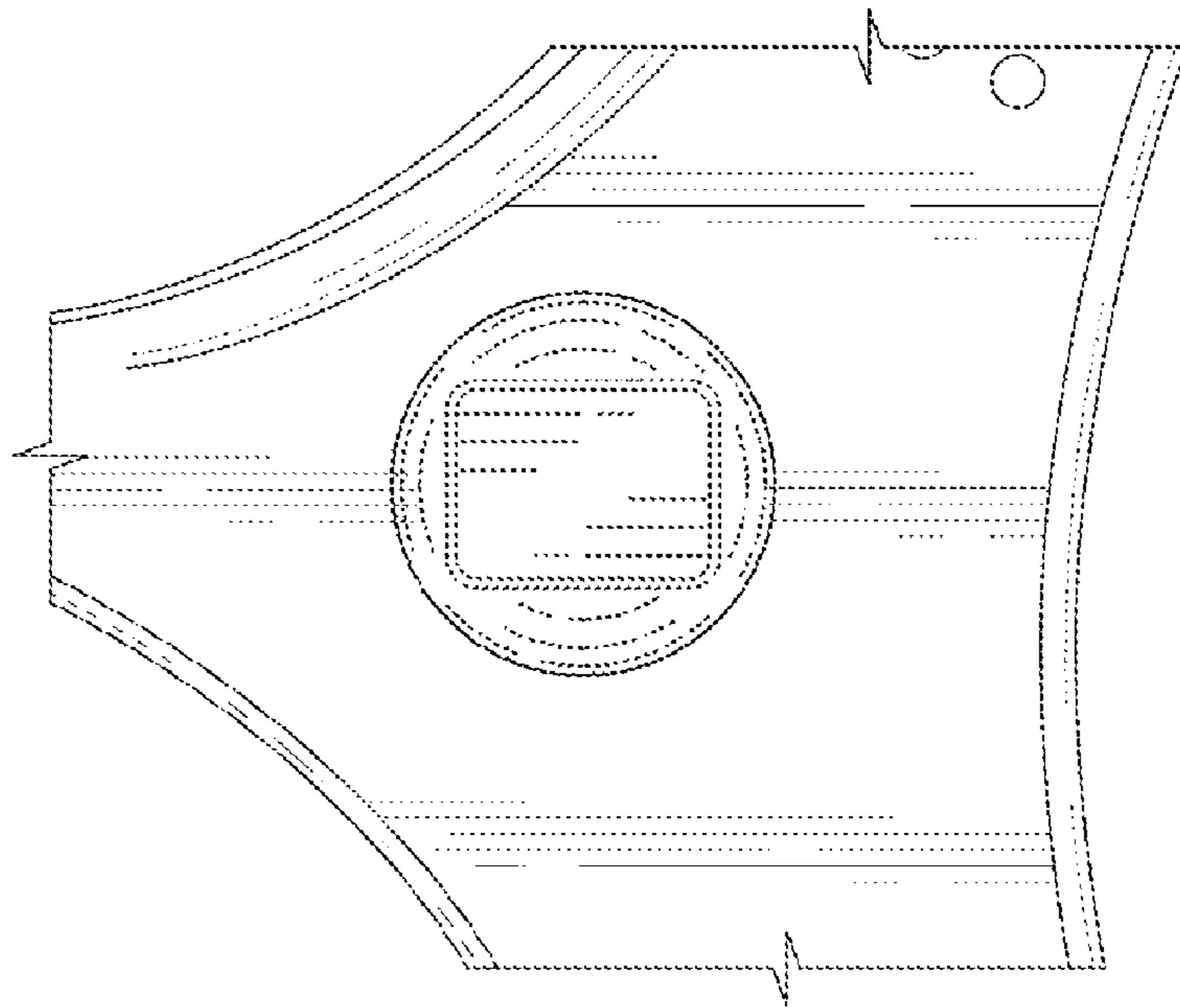


FIG. 8

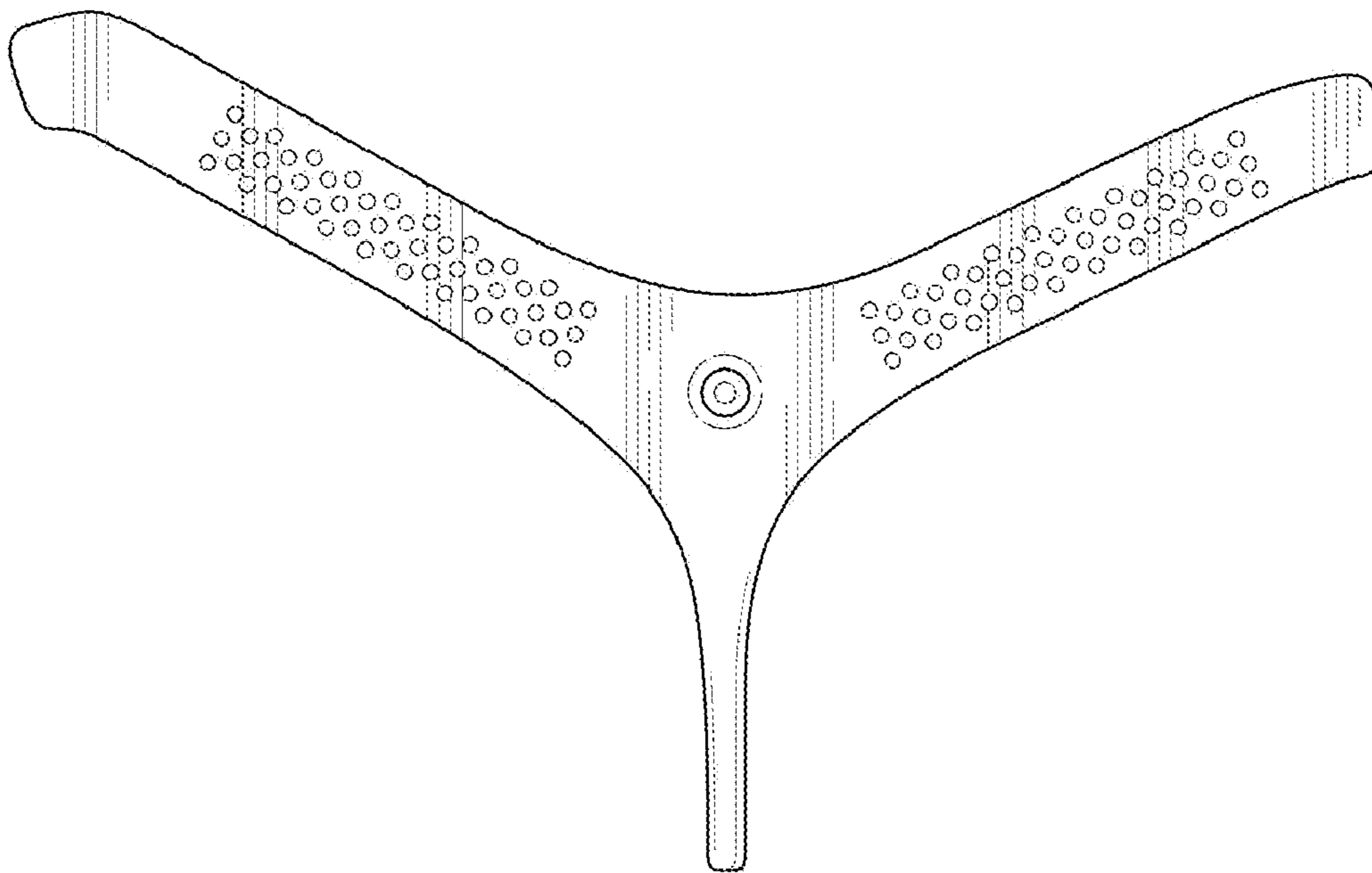


FIG. 9