



US00D654662S

(12) **United States Design Patent**
Lewis

(10) **Patent No.:** **US D654,662 S**
(45) **Date of Patent:** **** Feb. 28, 2012**

(54) **WATERPROOF PANTS WITH ACCESS SEAM**

(76) Inventor: **Dorothy A. Lewis**, Keithville, LA (US)

(**) Term: **14 Years**

(21) Appl. No.: **29/386,012**

(22) Filed: **Feb. 23, 2011**

(51) **LOC (9) Cl.** **02-02**

(52) **U.S. Cl.** **D2/743**

(58) **Field of Classification Search** D2/742,
D2/743, 745, 860; 2/79, 82, 227, DIG. 5
See application file for complete search history.

(56) **References Cited**

U.S. PATENT DOCUMENTS

1,374,040	A *	4/1921	Jaeransen	2/212
2,138,588	A *	11/1938	Wann	2/227
2,355,193	A *	8/1944	Walker	2/79
2,482,349	A *	9/1949	Lang	2/250
2,627,604	A *	2/1953	Schor	2/79
4,638,509	A	1/1987	Charron		
D289,222	S *	4/1987	Maejima		
D298,380	S *	11/1988	Clutts, Sr.	D2/743
5,315,716	A	5/1994	Baum		

5,359,731	A	11/1994	Cavalier		
5,802,611	A *	9/1998	McKenzie et al.	2/69
5,864,888	A *	2/1999	Archer	2/227
6,305,027	B2	10/2001	Chou		
6,675,389	B1	1/2004	Kublick		
D505,772	S *	6/2005	Helbing et al.	D2/743
2011/0067159	A1 *	3/2011	Smith	2/22

* cited by examiner

Primary Examiner — Rashida Johnson

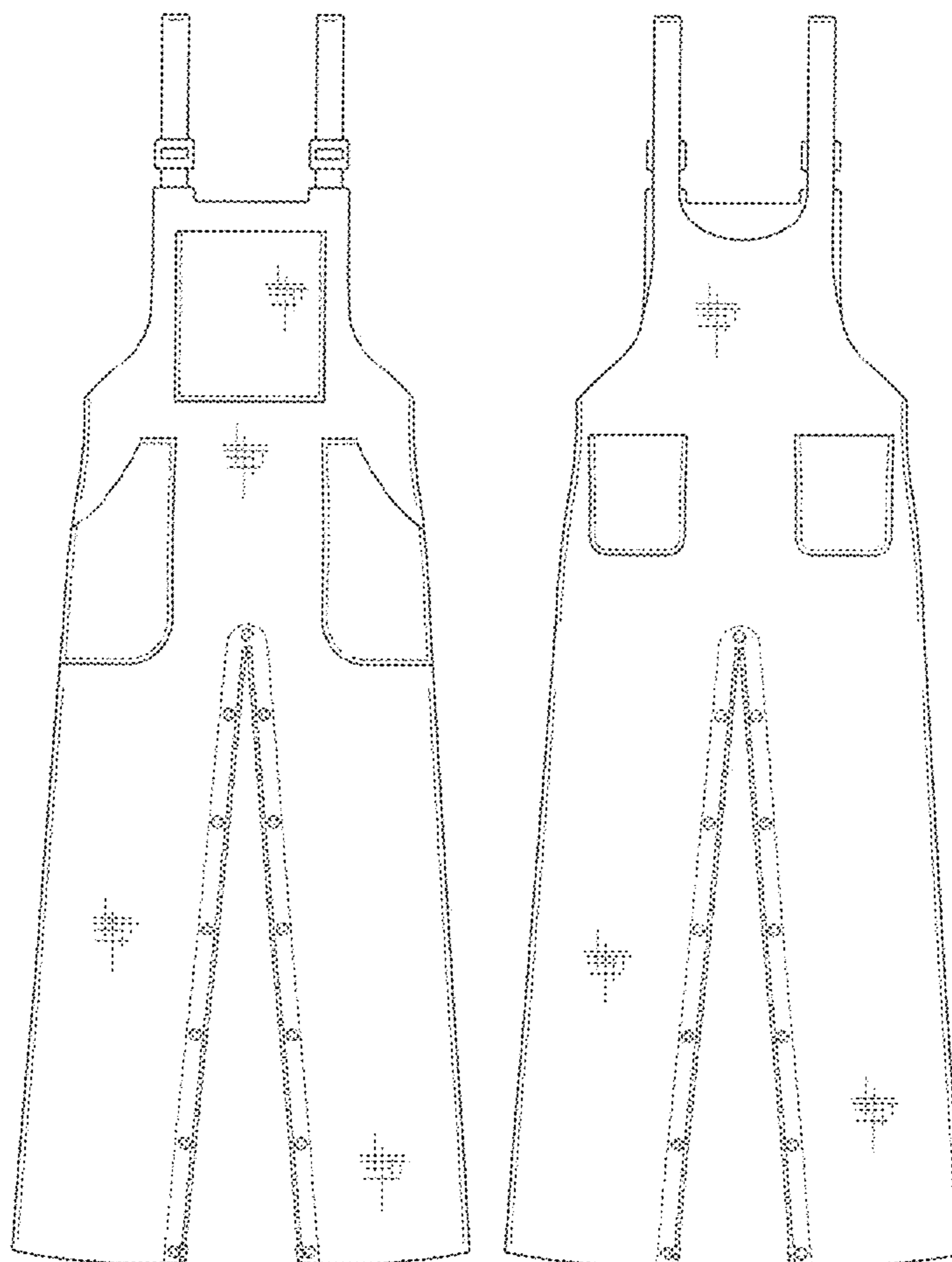
(57) **CLAIM**

The ornamental design for a waterproof pants with access seam, as shown and described.

DESCRIPTION

FIG. 1 is a front view of a waterproof pants with access seam showing my new design;
FIG. 2 is a back view thereof;
FIG. 3 is a side view (opposite side view is mirror image) thereof;
FIG. 4 is a top view thereof; and,
FIG. 5 is a bottom view thereof.
In FIG. 1-3, the broken lines represent stitching and form no part of the claimed design.

1 Claim, 2 Drawing Sheets



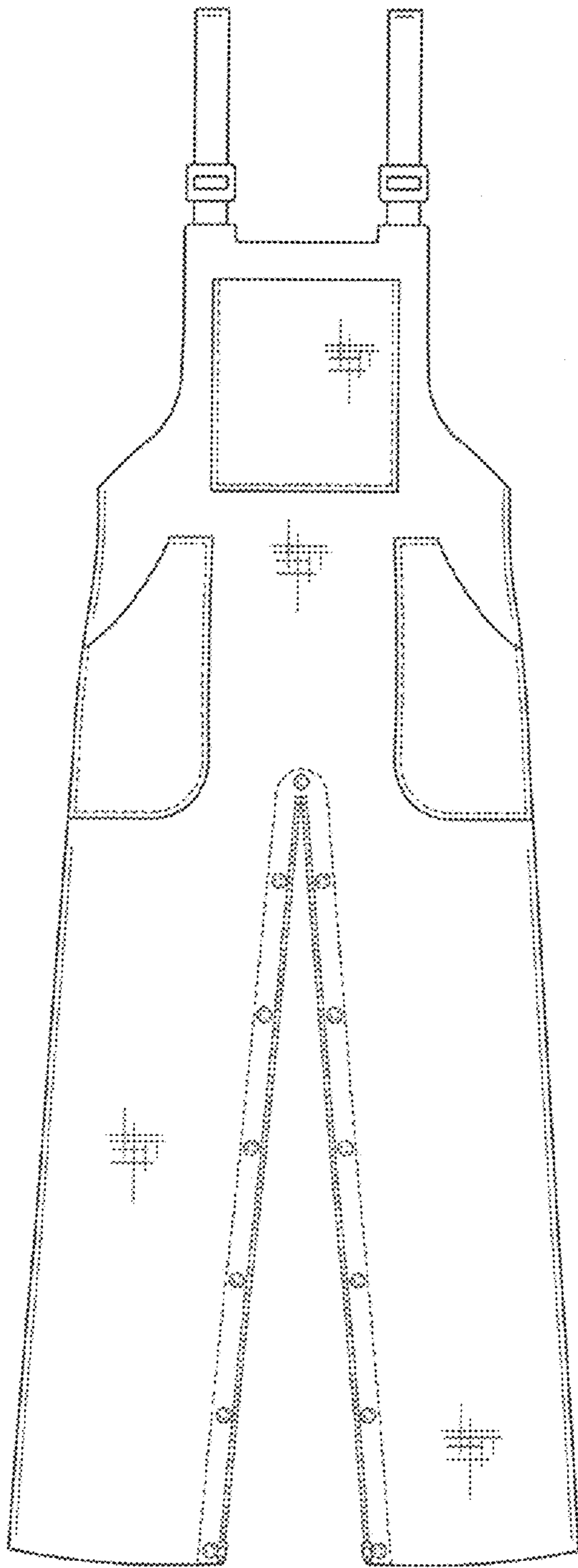


FIG. 1

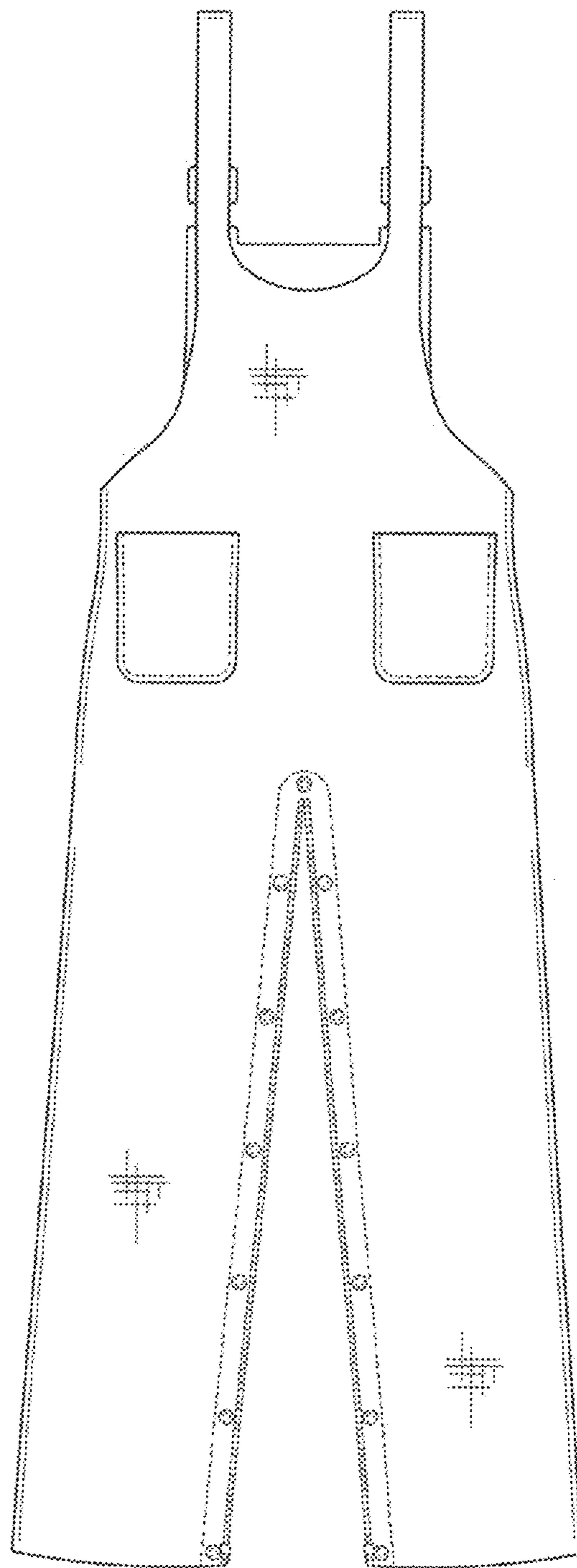


FIG. 2

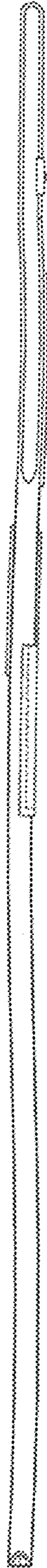


FIG. 3

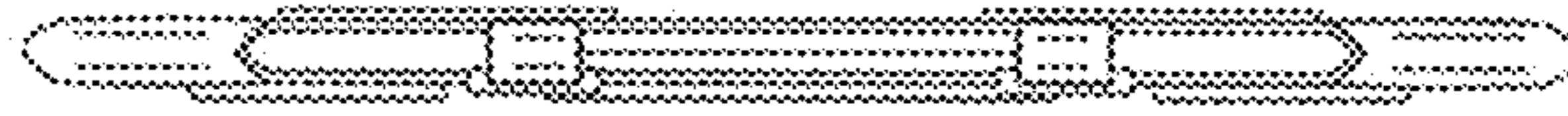


FIG. 4

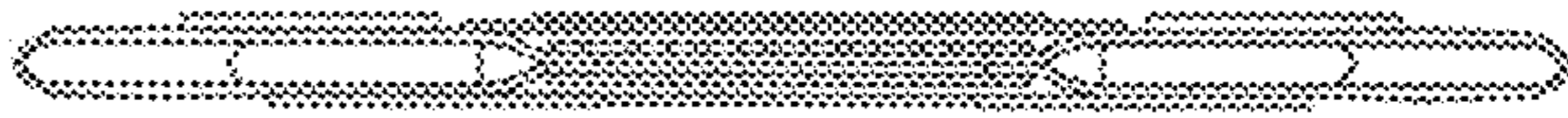


FIG. 5