



US00D654655S

(12) **United States Design Patent**
Hunt et al.

(10) **Patent No.:** **US D654,655 S**

(45) **Date of Patent:** **** Feb. 21, 2012**

(54) **SAFE DOOR**

(75) Inventors: **Paul Richard Hunt**, Lake Zurich, IL
(US); **Mark S. Coulter**, Wauconda, IL
(US)

(73) Assignee: **Stack-On Products Company**,
Wauconda, IL (US)

(**) Term: **14 Years**

(21) Appl. No.: **29/383,005**

(22) Filed: **Jan. 11, 2011**

(51) **LOC (9) Cl.** **99-00**

(52) **U.S. Cl.** **D99/43**

(58) **Field of Classification Search** D99/28,
D99/34, 35, 36, 43, 99; 109/44, 1 V, 2, 45,
109/1 R, 58, 59 R, 60; 902/9, 30; 312/297,
312/298, 302, 303, 304, 305, 400, 409; 217/47,
217/69

See application file for complete search history.

(56) **References Cited**

U.S. PATENT DOCUMENTS

D103,629 S *	3/1937	Davis	D99/28
2,088,459 A *	7/1937	Bennett et al.	70/77
D118,366 S *	1/1940	Davis	D99/28
D273,052 S *	3/1984	Snodgrass	D99/28
4,669,394 A *	6/1987	Fogleman et al.	109/59 T
D354,835 S *	1/1995	Brendel	D99/43
D380,793 S *	7/1997	Conwell	D21/519

D485,042 S *	1/2004	Paris et al.	D99/28
D485,419 S *	1/2004	Paris et al.	D99/43
D485,960 S *	1/2004	Paris et al.	D99/43
D487,179 S *	2/2004	Traversie et al.	D99/28
D493,270 S *	7/2004	Lynch et al.	D99/43
D498,895 S *	11/2004	Lynch et al.	D99/28
D557,875 S *	12/2007	Stuhlbarg et al.	D99/28
D580,625 S *	11/2008	Ballok	D99/43
D619,775 S *	7/2010	Pendleton	D99/28
D620,675 S *	7/2010	Doettling	D99/28

* cited by examiner

Primary Examiner — Elizabeth J Oswecki

(74) *Attorney, Agent, or Firm* — Seyfarth Shaw LLP

(57) **CLAIM**

The ornamental design for the safe door, as shown and described.

DESCRIPTION

FIG. 1 is an exploded, perspective view of a safe door showing our new design;
FIG. 2 is a perspective view of the safe door;
FIG. 3 is an exploded, perspective view thereof;
FIG. 4 is a top view thereof;
FIG. 5 is a left side view thereof;
FIG. 6 is a front view thereof;
FIG. 7 is a right side view thereof; and,
FIG. 8 is a bottom view thereof.

The broken lines illustrate environmental structure which forms no part of the claimed design.

1 Claim, 8 Drawing Sheets

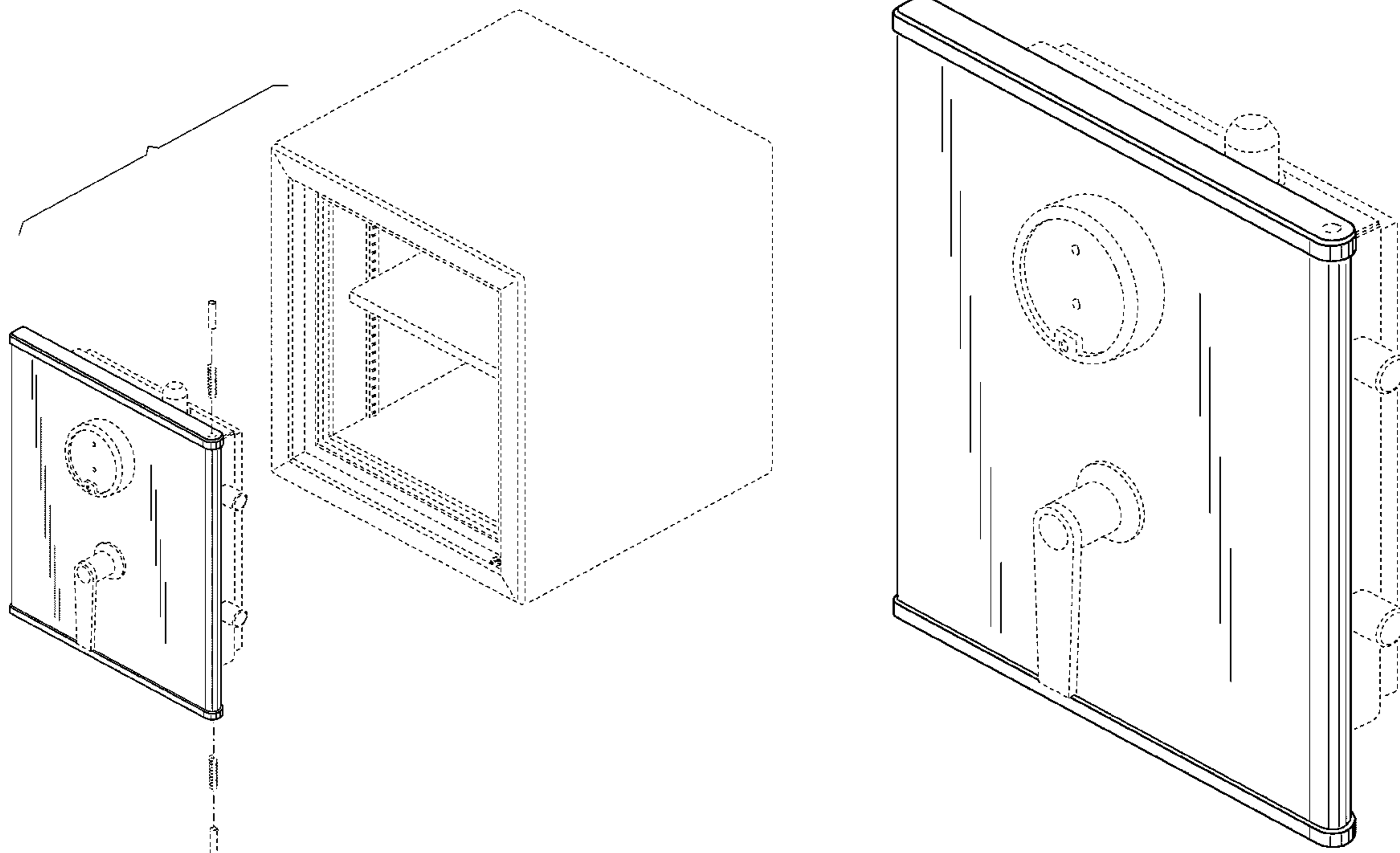


Fig. 1

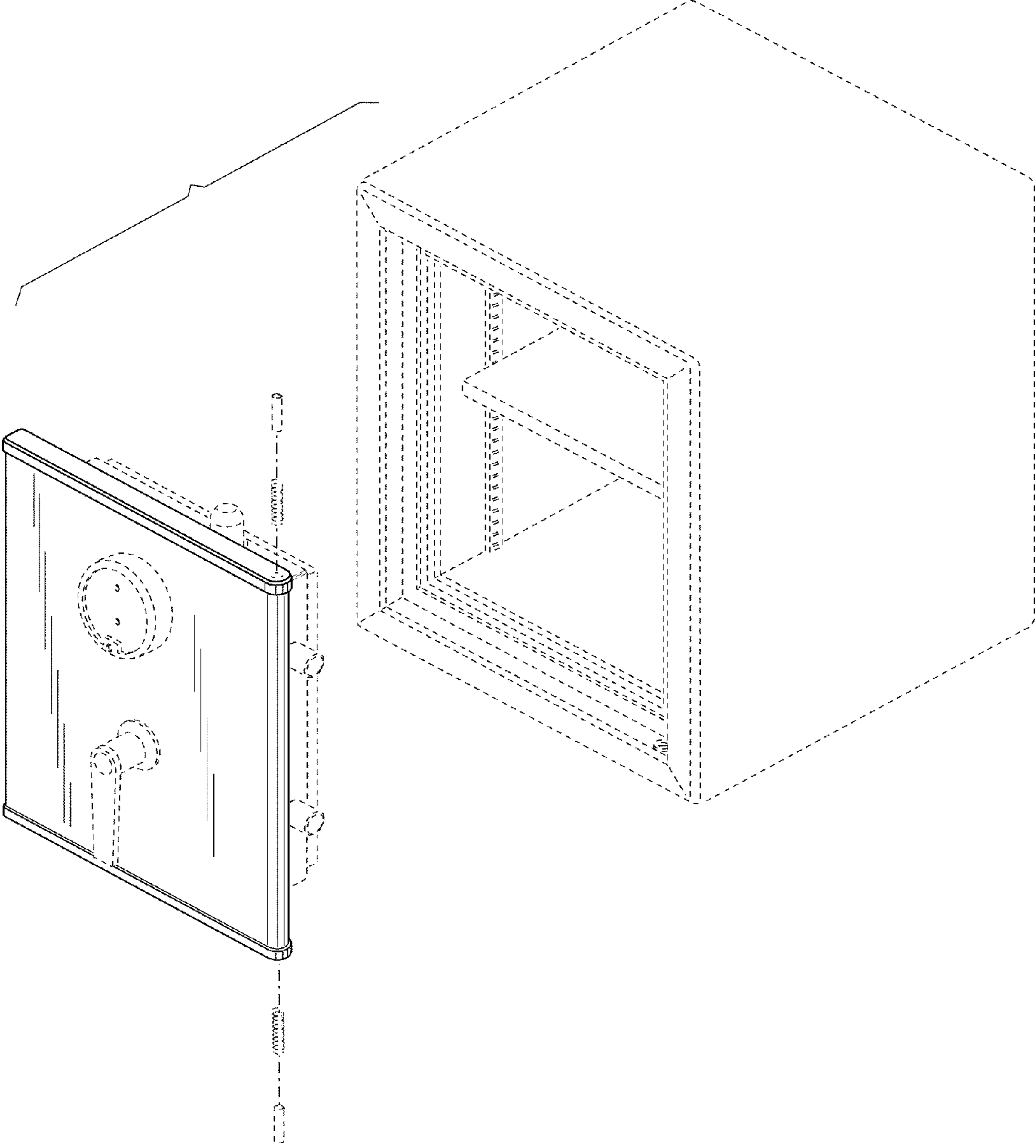
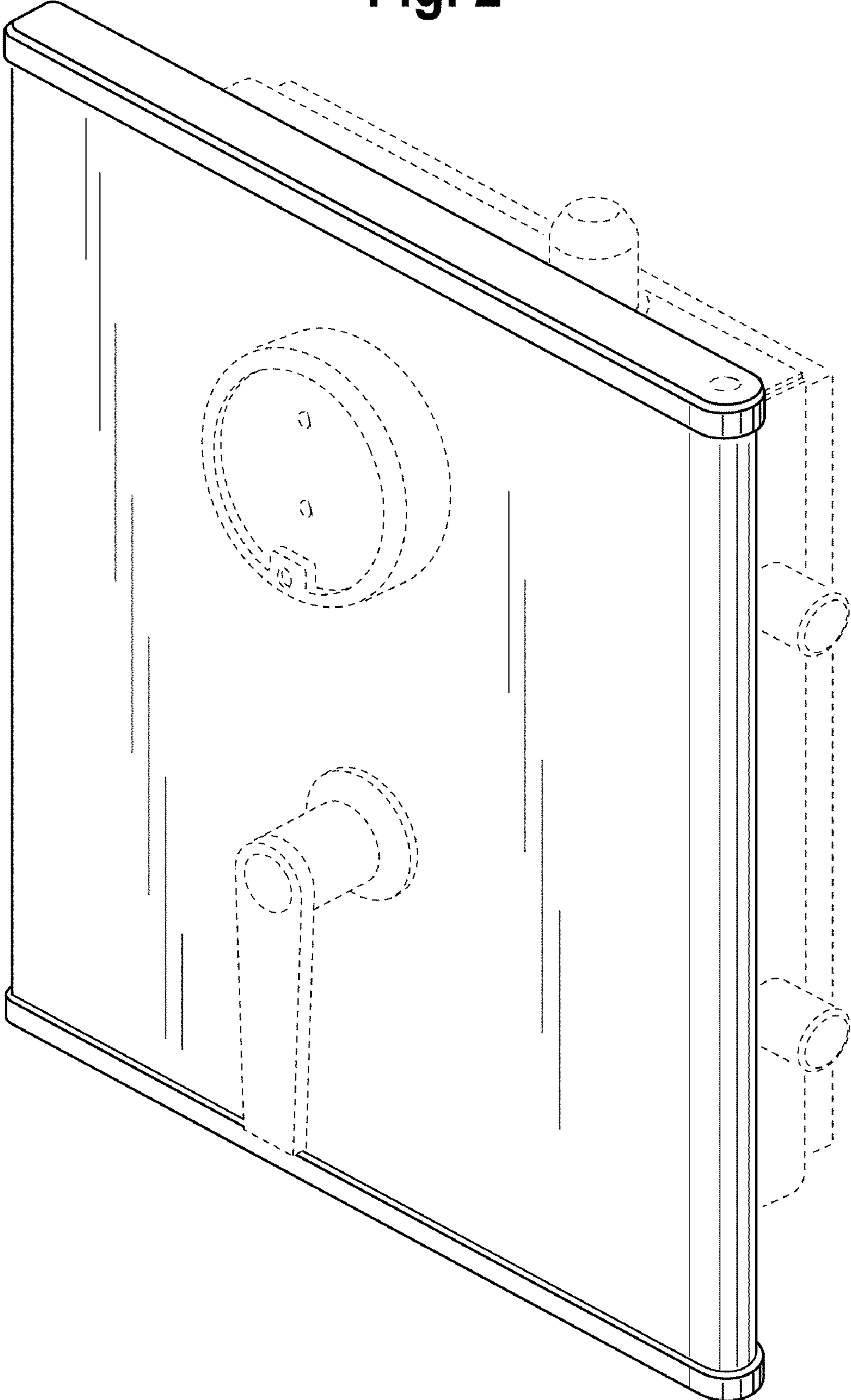


Fig. 2



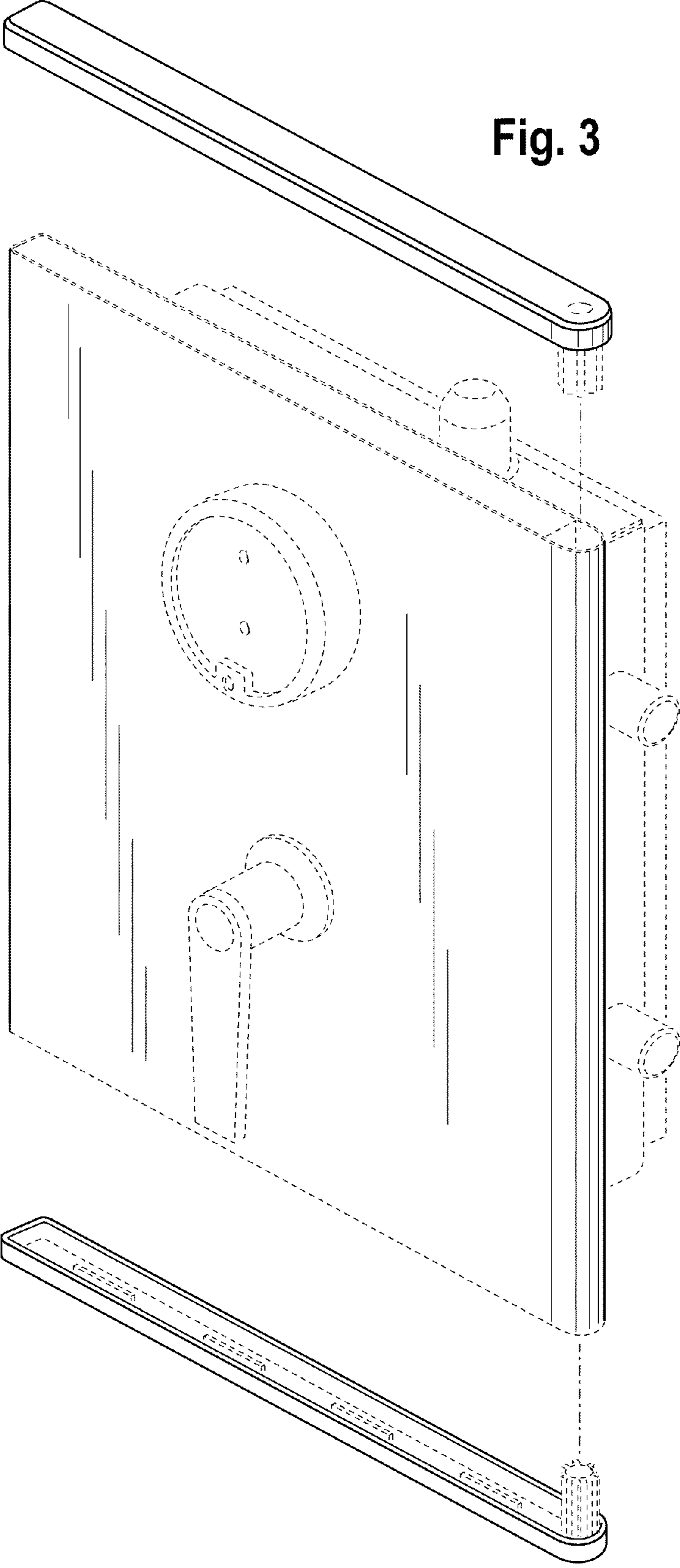


Fig. 3

Fig. 4

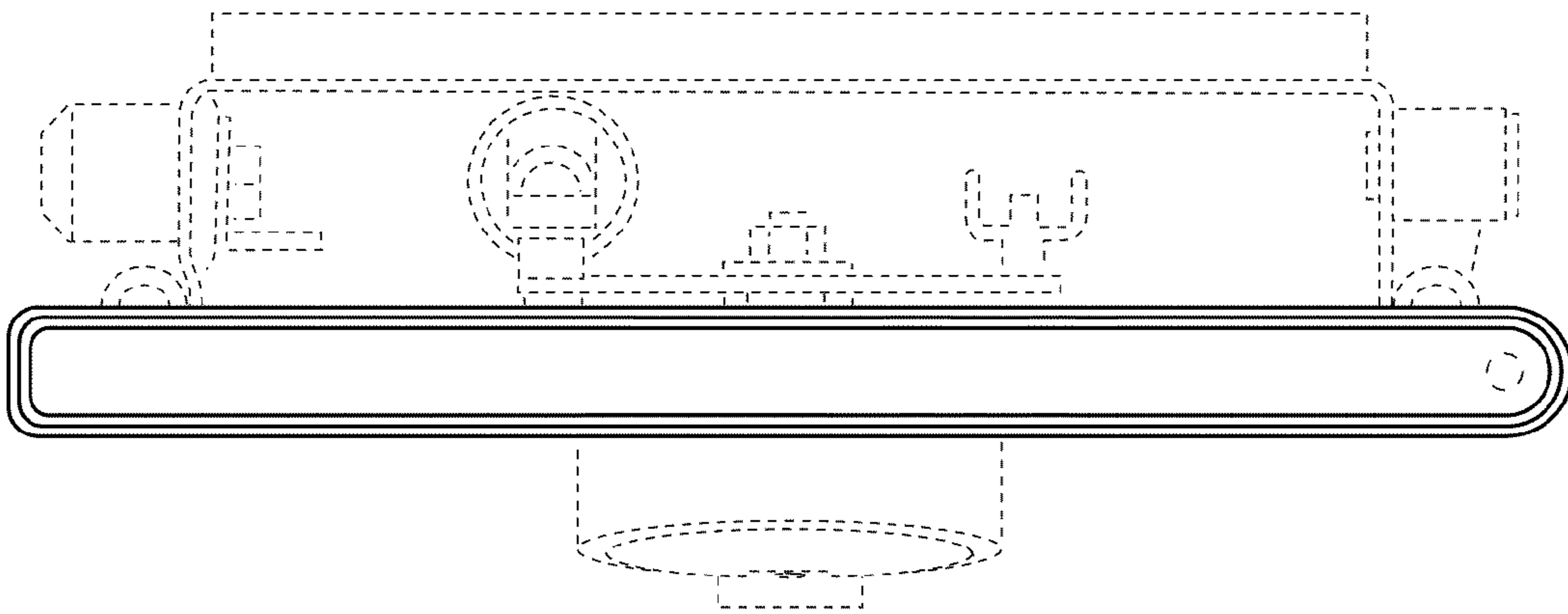


Fig. 5

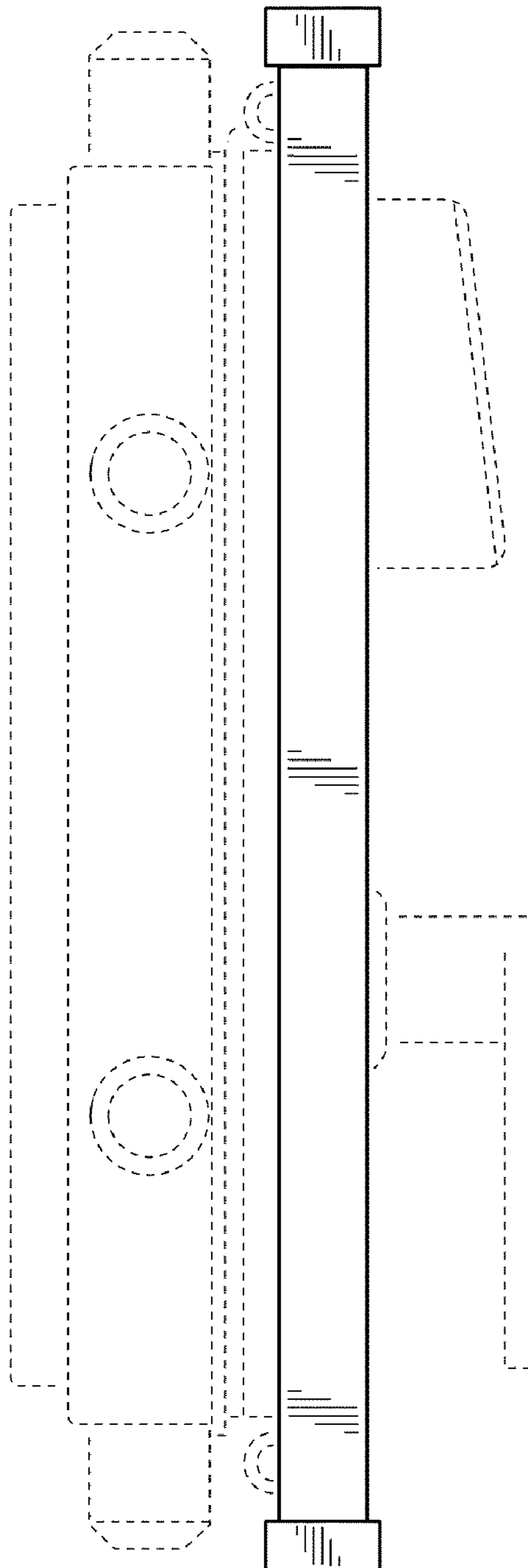


Fig. 6

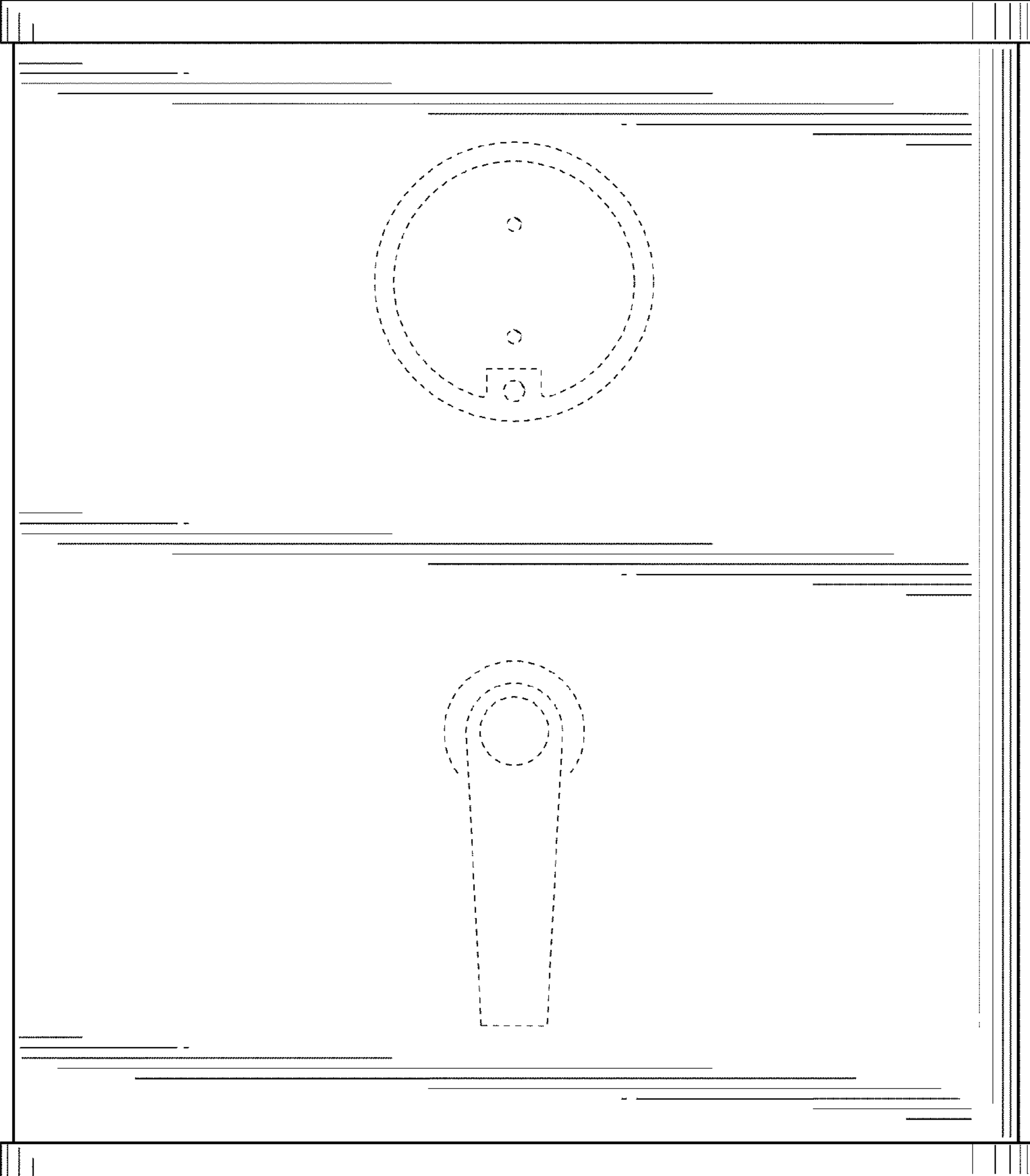


Fig. 7

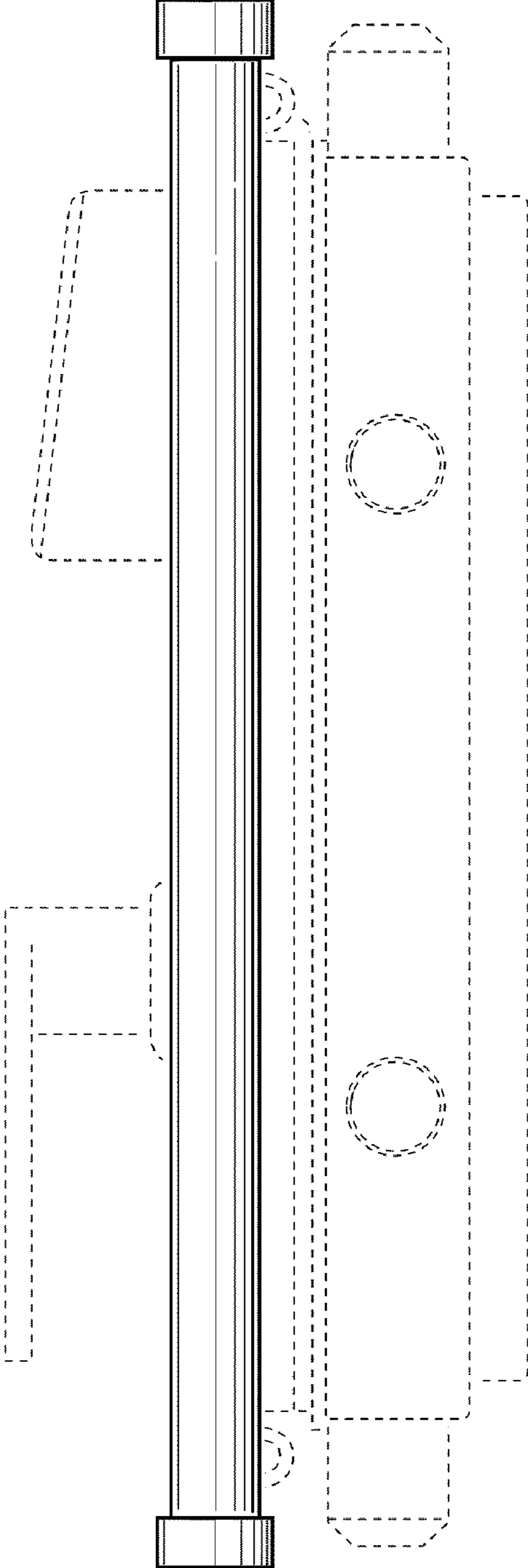


Fig. 8

