



US00D654654S

(12) **United States Design Patent**
Meekma et al.

(10) **Patent No.:** **US D654,654 S**
(45) **Date of Patent:** **** Feb. 21, 2012**

- (54) **SAFE**
 - (75) Inventors: **Glenn P. Meekma**, Menomonee Falls, WI (US); **Dean D. Hacker**, Oak Creek, WI (US); **Scott B. Stevens**, Oak Creek, WI (US)
 - (73) Assignee: **Master Lock Company LLC**, Oak Creek, WI (US)
 - (**) Term: **14 Years**
 - (21) Appl. No.: **29/346,502**
 - (22) Filed: **Nov. 2, 2009**
 - (51) **LOC (9) Cl.** **99-00**
 - (52) **U.S. Cl.** **D99/28**
 - (58) **Field of Classification Search** D99/28, D99/34, 35, 36, 37, 43, 99; D18/3.1, 3.3, D18/12, 12.1; 235/379, 380, 381, 382, 382.5; 194/206; 109/1 R, 1 V, 2, 45, 49.5, 52, 58, 109/59 R, 60, 61, 62, 64, 78; D8/330, 331, D8/333, 334, 343, 499; 70/14, 19, 20, 21, 70/22; 206/0.8, 0.815, 0.82
- See application file for complete search history.

- D183,094 S 6/1958 Heath
 - 3,026,704 A 3/1962 Baker
 - 3,084,532 A 4/1963 Williams
 - 3,146,739 A 9/1964 Furman
 - 3,742,741 A 7/1973 Cahan
 - D231,895 S 6/1974 Stolarz
 - 3,934,434 A 1/1976 Law
 - D271,350 S 11/1983 Robbins
- (Continued)

OTHER PUBLICATIONS

International Search Report and Written Opinion from International Application No. PCT/US2007/04968, mailed Aug. 27, 2008.

Primary Examiner — Stella Reid
Assistant Examiner — Elizabeth J Oswecki
(74) *Attorney, Agent, or Firm* — Calfee, Halter & Griswold LLP

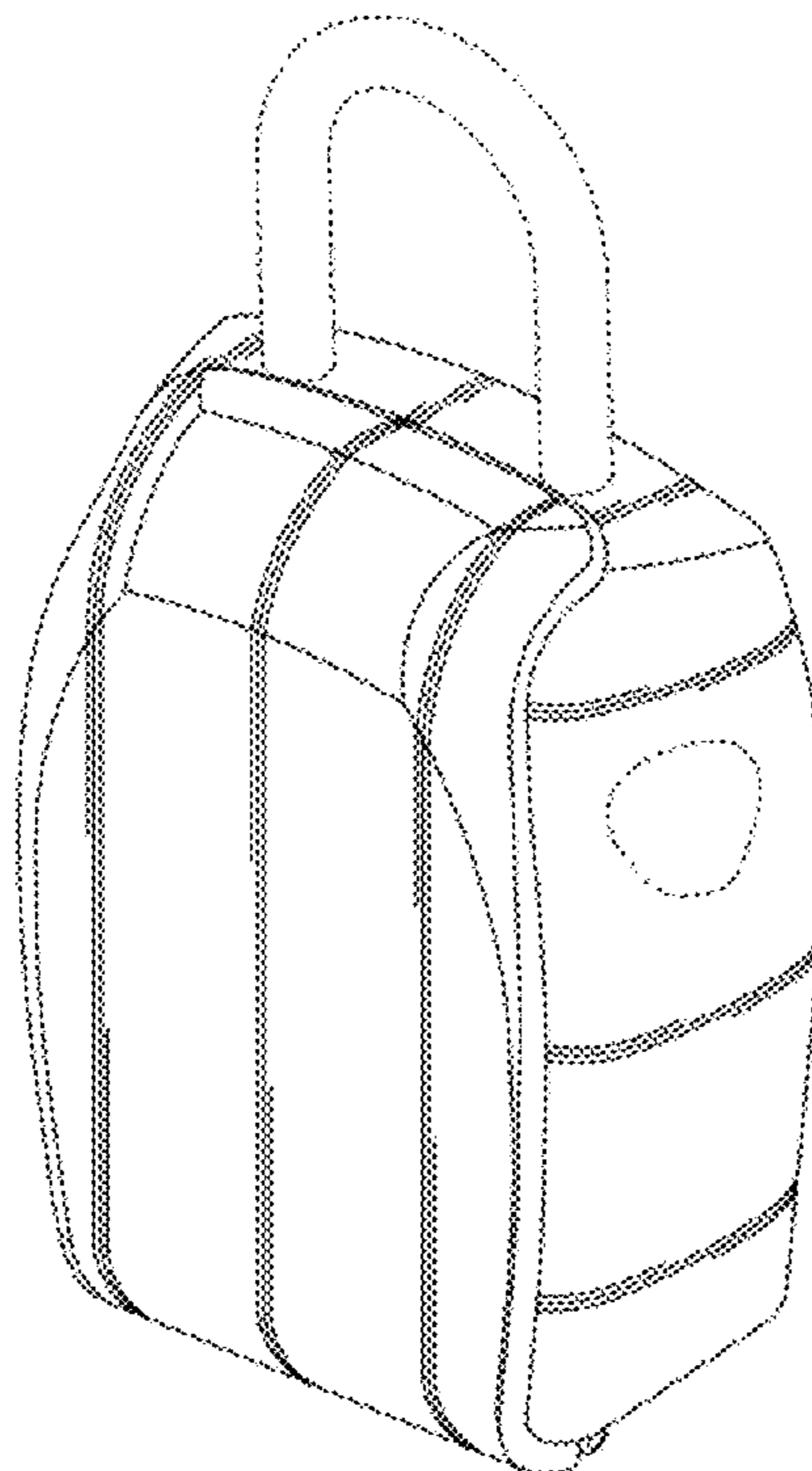
(57) **CLAIM**
We claim the ornamental design for a safe, as shown and described.

DESCRIPTION

FIG. 1 is a front perspective view of a safe showing our new design;
FIG. 2 is a rear perspective view of the safe of FIG. 1;
FIG. 3 is a top view of the safe of FIG. 1;
FIG. 4 is a front view of the safe of FIG. 1;
FIG. 5 is a rear view of the safe of FIG. 1;
FIG. 6 is a bottom view of the safe of FIG. 1;
FIG. 7 is a left side view of the safe of FIG. 1; and,
FIG. 8 is a right side view of the safe of FIG. 1.
In the drawings, the broken lines in FIGS. 1-5, 7 and 8 depict portions of the design that form no part of the claim.

1 Claim, 5 Drawing Sheets

- (56) **References Cited**
- U.S. PATENT DOCUMENTS
- D59,734 S 11/1921 Fisher
- 1,634,884 A 7/1927 Peer
- 1,955,809 A 4/1934 Hobbs
- D175,369 S 8/1955 Sciacero
- 2,755,748 A 7/1956 Parker, Jr.
- D181,025 S 9/1957 Sederquist et al.



US D654,654 S

Page 2

U.S. PATENT DOCUMENTS

D273,053	S	3/1984	Hamborg	D560,875	S	1/2008	Decarlo et al.
D278,689	S	5/1985	Jupe	D569,609	S *	5/2008	Hacker D3/215
D279,324	S	6/1985	Tanaka	7,426,841	B2 *	9/2008	Yang 70/63
4,641,505	A	2/1987	Maurice	D579,174	S	10/2008	Decarlo et al.
4,651,544	A	3/1987	Hungerford	7,434,426	B2 *	10/2008	Loughlin et al. 70/25
D298,679	S	11/1988	Casini et al.	D590,695	S *	4/2009	Wu D8/334
4,838,052	A	6/1989	Williams et al.	7,516,631	B2	4/2009	Hacker et al.
D309,054	S	7/1990	Knox	D592,934	S *	5/2009	Yang D8/334
D310,211	S	8/1990	Tanbe	D614,044	S *	4/2010	Mouquet D8/334
4,951,577	A	8/1990	Bentley	D623,824	S *	9/2010	Pendleton D99/28
5,065,156	A	11/1991	Bernier	D630,260	S *	1/2011	Cole et al. D21/483
D350,002	S	8/1994	Viola	7,891,220	B2 *	2/2011	Yen et al. 70/63
D351,499	S	10/1994	Gay et al.	D634,915	S	3/2011	Nave et al.
D365,430	S	12/1995	Riboli	D635,324	S *	3/2011	Plato D99/28
D380,793	S	7/1997	Conwell	D635,325	S *	3/2011	Plato D99/28
5,737,947	A	4/1998	Ling	7,913,526	B2 *	3/2011	Loughlin et al. 70/56
5,738,020	A	4/1998	Correia	D638,684	S *	5/2011	Stevens D8/334
5,758,522	A	6/1998	York	7,934,406	B2 *	5/2011	Loughlin et al. 70/25
D407,184	S	3/1999	Endelson	7,946,141	B2 *	5/2011	Ng et al. 70/21
5,927,114	A	7/1999	Berry	D641,535	S	7/2011	Kan
D432,755	S	10/2000	Perkitny et al.	D642,893	S *	8/2011	Yang D8/334
D462,517	S	9/2002	Knox et al.	2004/0226325	A1	11/2004	Ling
D484,776	S	1/2004	Ruan	2005/0223758	A1	10/2005	Yu
6,813,912	B1	11/2004	Ng et al.	2005/0229655	A1 *	10/2005	Yu 70/63
6,834,519	B1	12/2004	Yang	2006/0065024	A1	3/2006	Gutierrez et al.
7,057,660	B1	6/2006	Okuda	2006/0137949	A1 *	6/2006	Levinson et al. 190/18 A
D534,965	S	1/2007	Chung	2006/0213237	A1	9/2006	Yang
D539,540	S	4/2007	Perlman et al.	2007/0180873	A1	8/2007	Yen et al.
7,251,967	B2	8/2007	Yang	2008/0098939	A1	5/2008	Kalous et al.
7,299,667	B1	11/2007	Miresmaili	2008/0115544	A1	5/2008	Yang

* cited by examiner

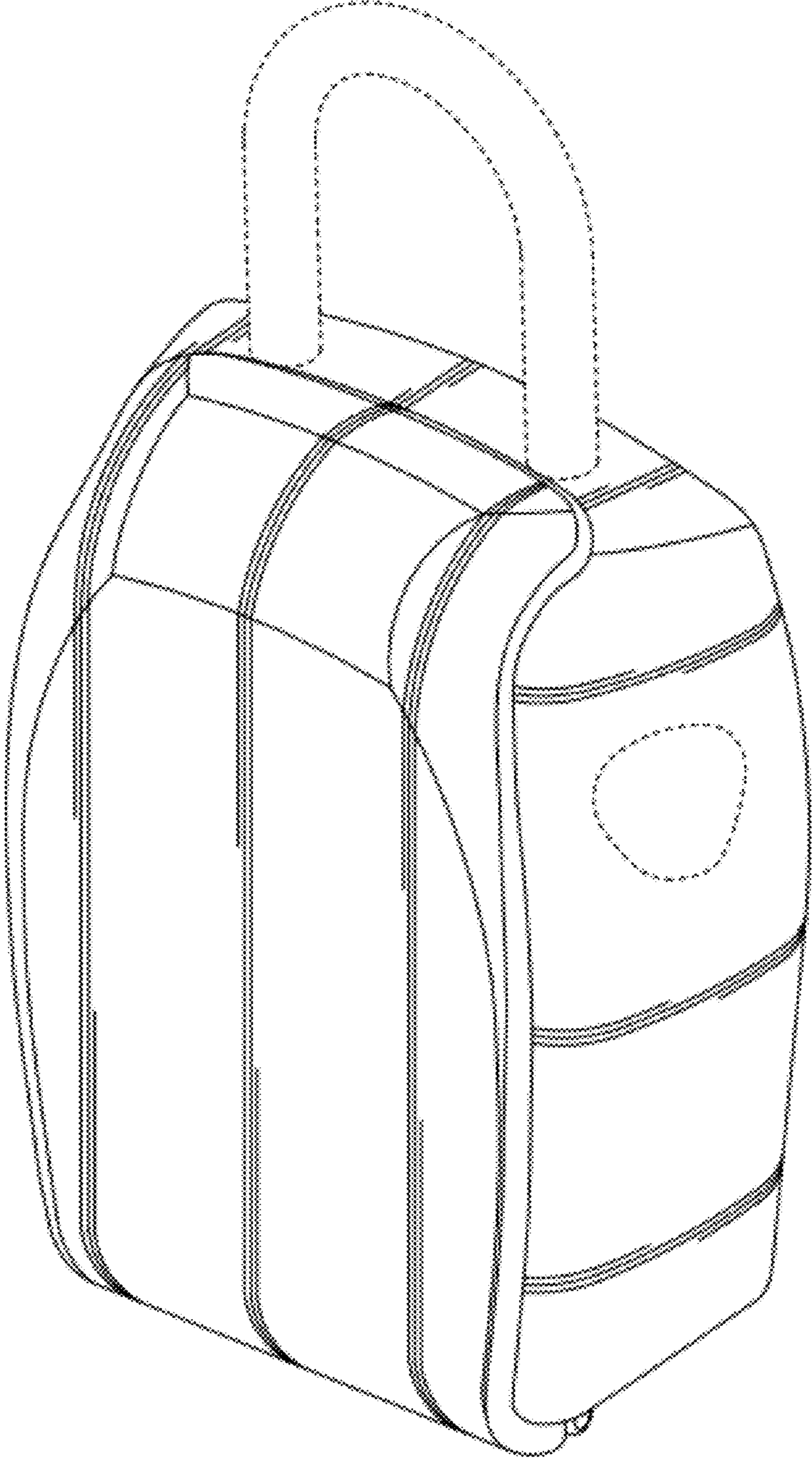


FIG. 1

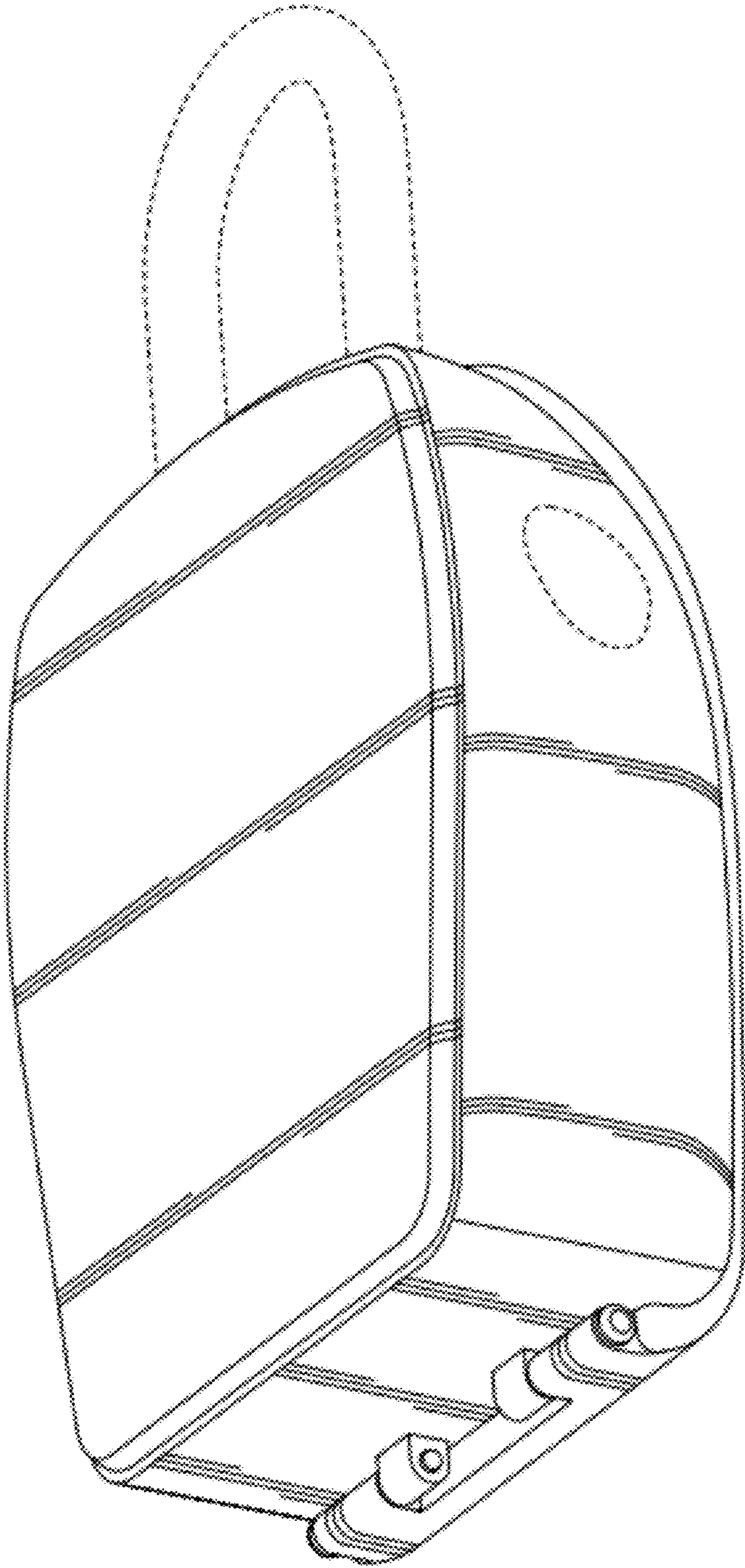


FIG. 2

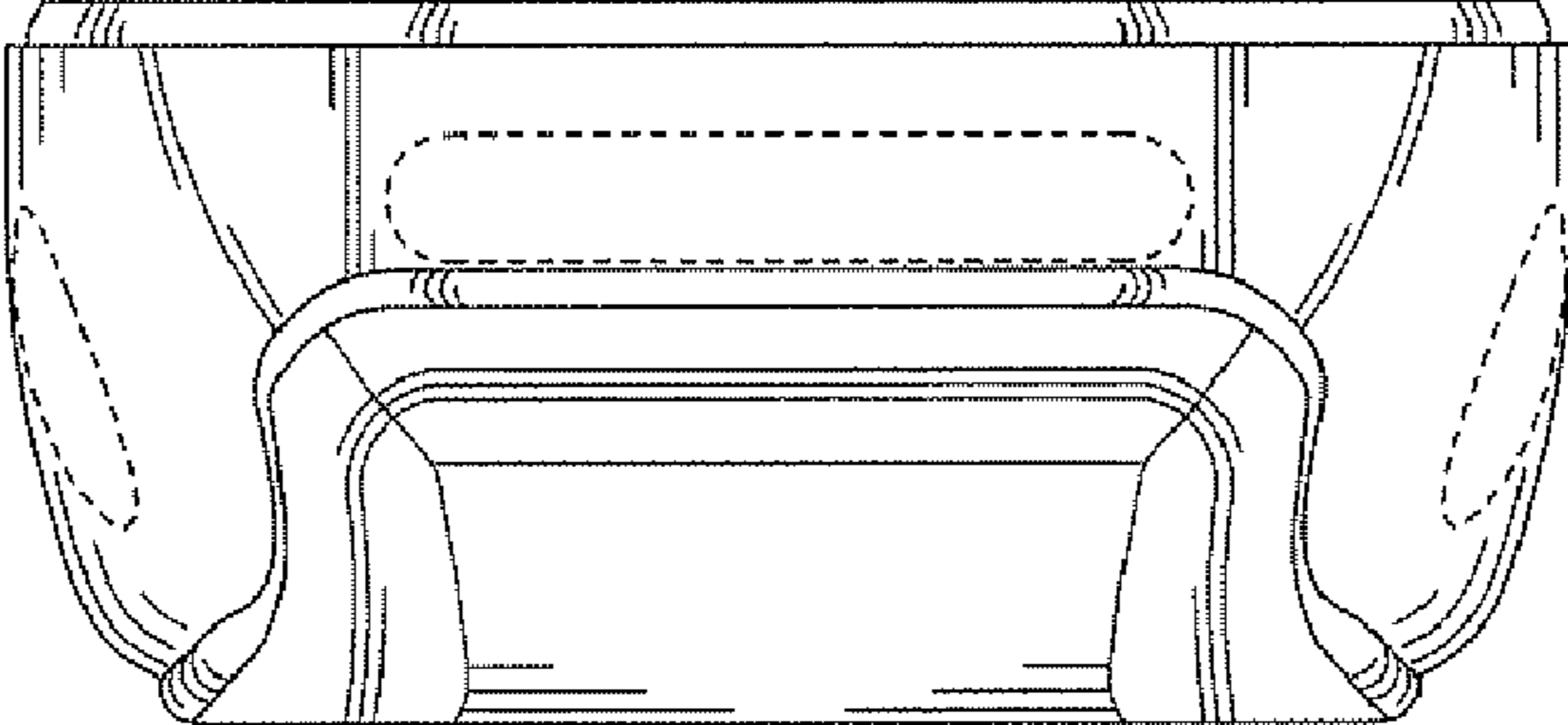


FIG. 3

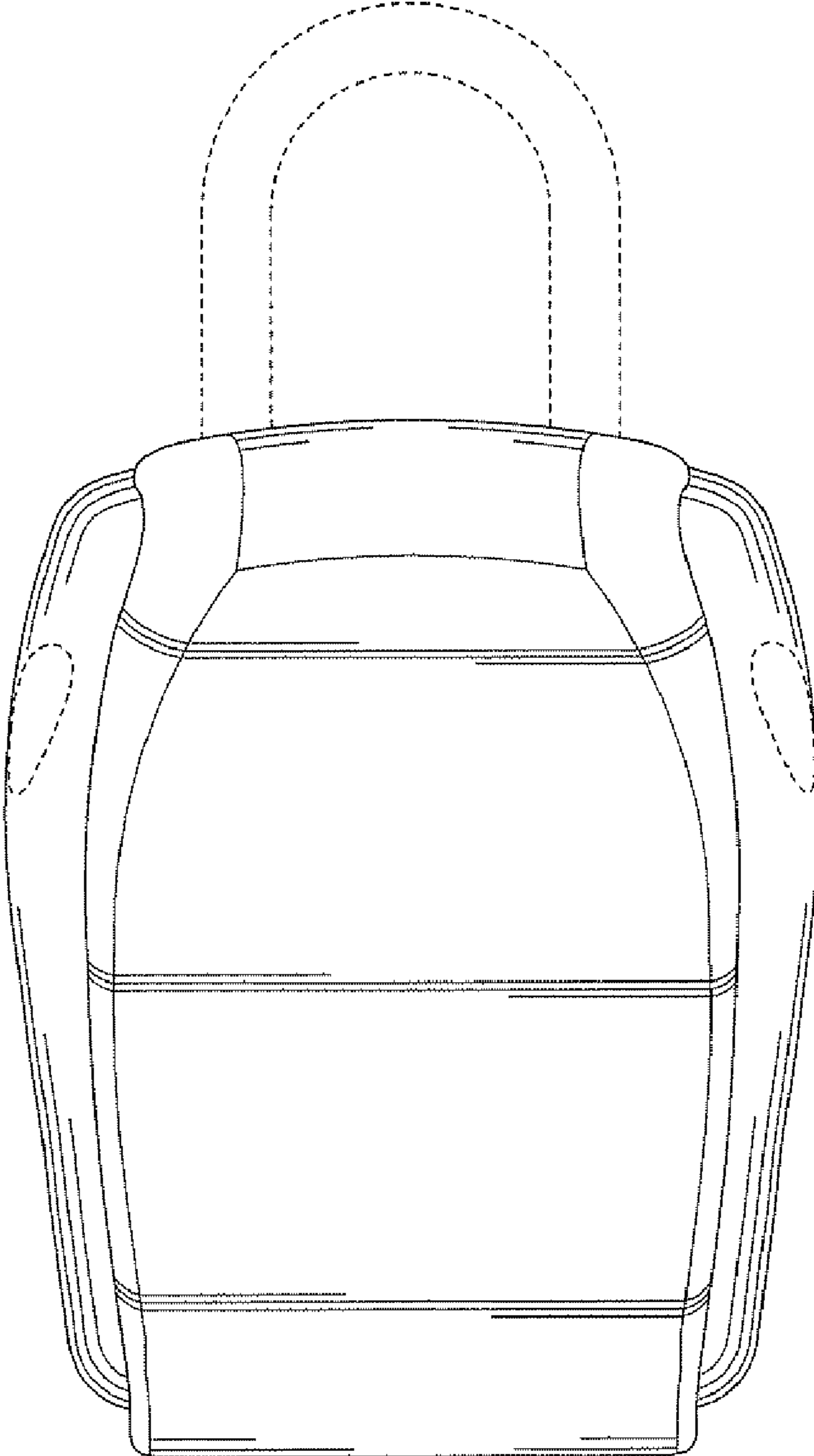


FIG. 4

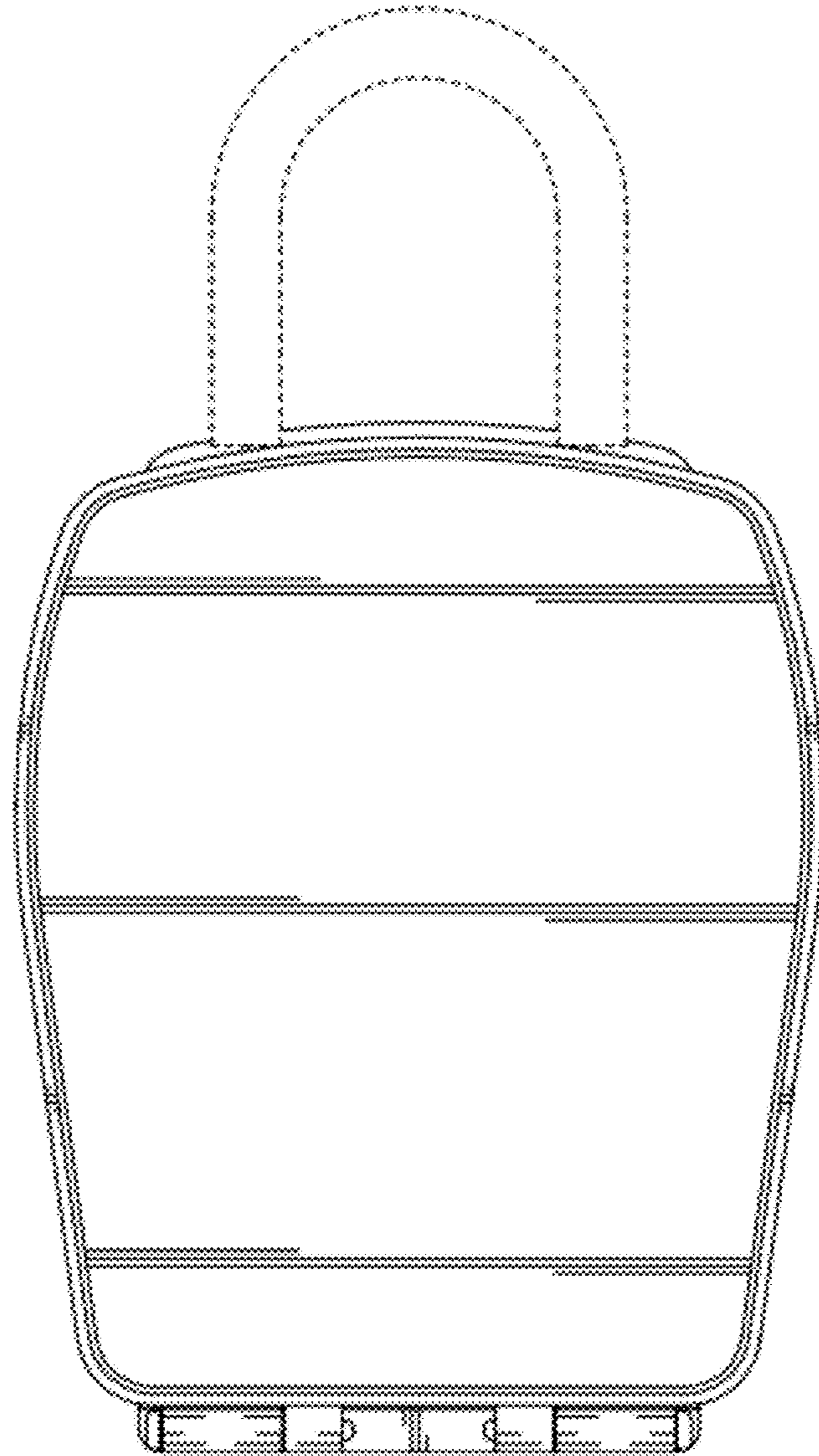


FIG. 5

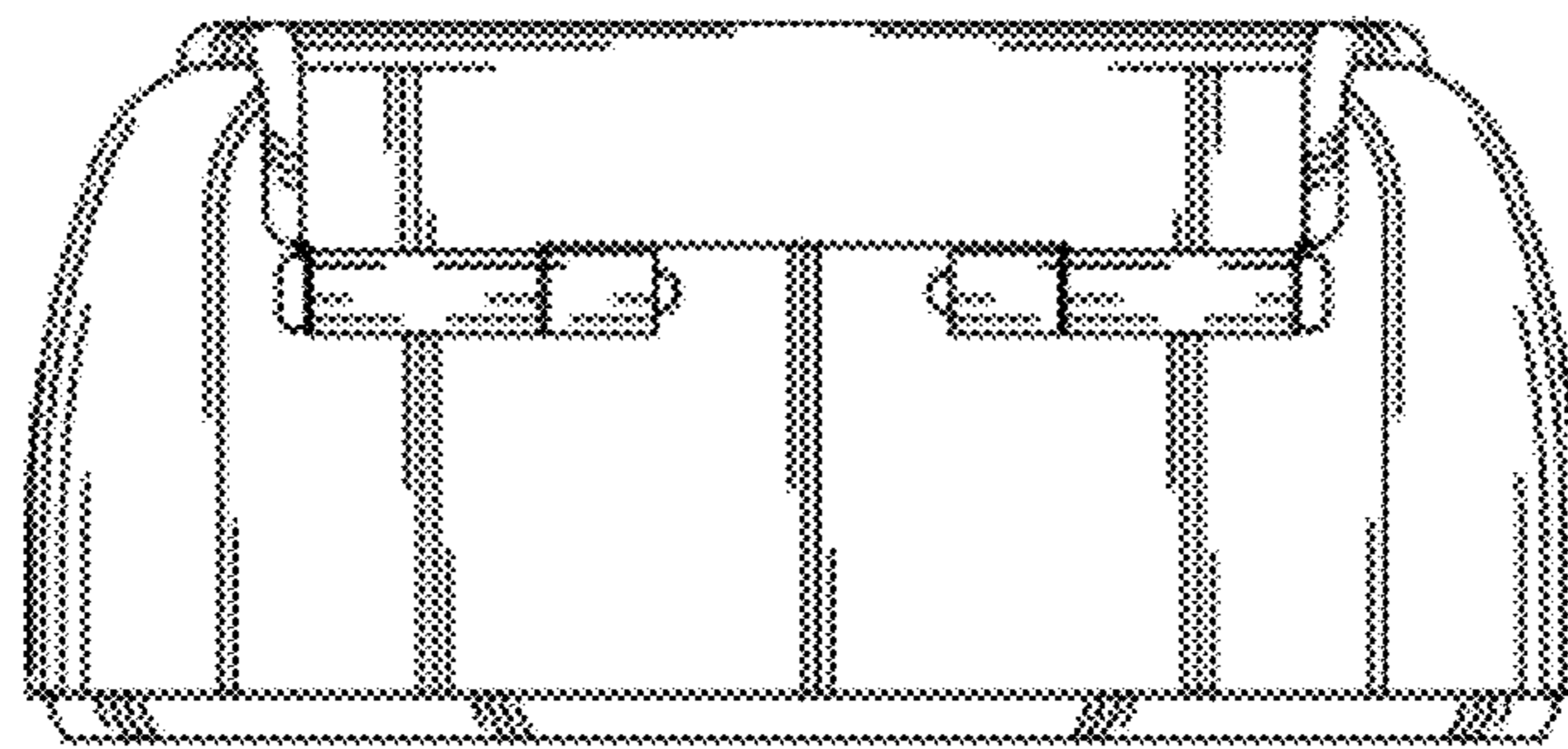


FIG. 6

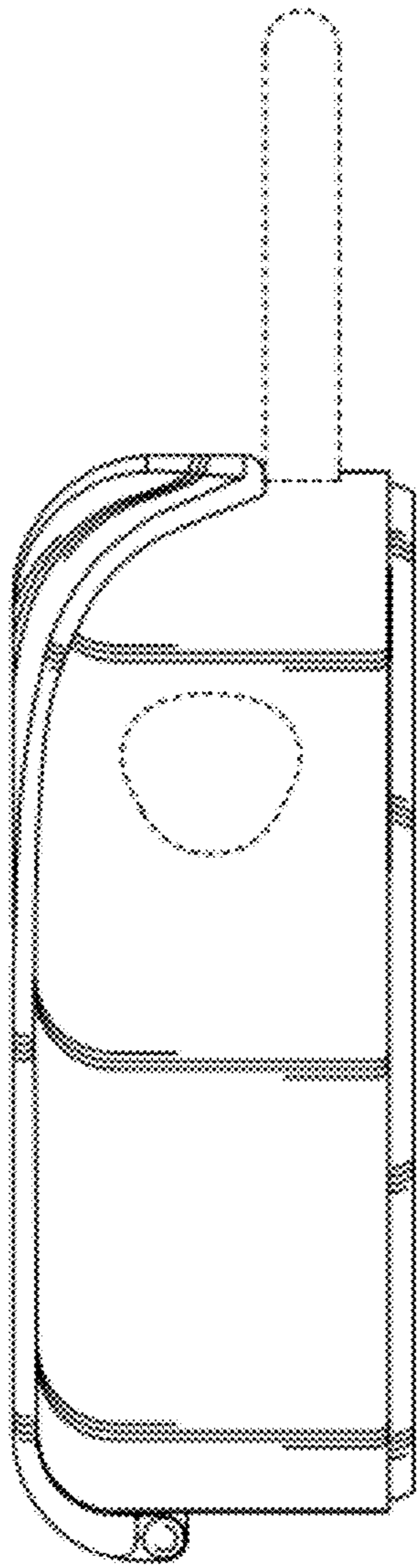


FIG. 7

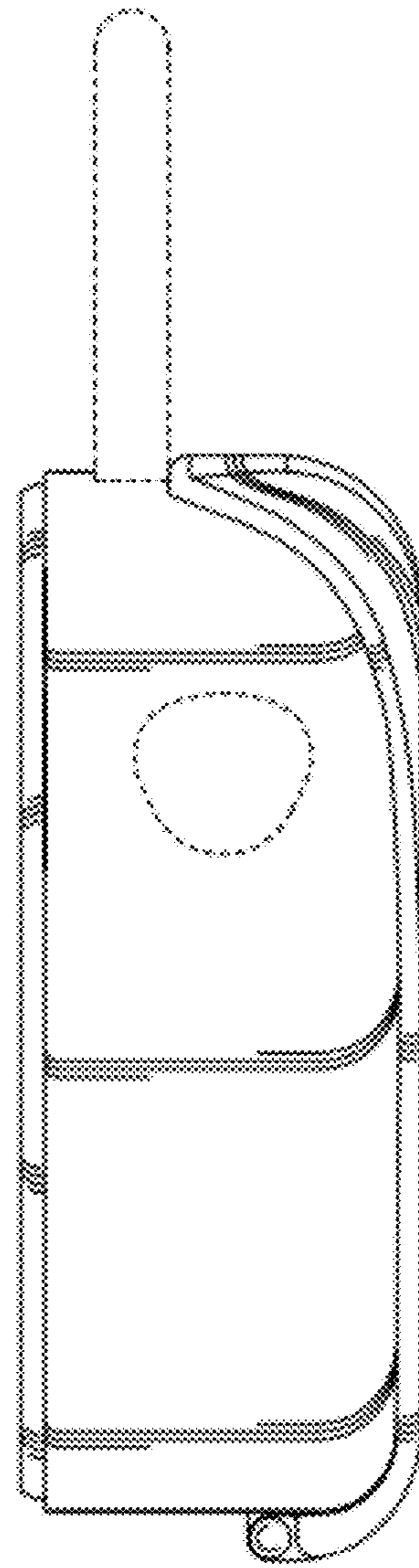


FIG. 8