



US00D654652S

(12) **United States Design Patent**  
**Hatcher et al.**

(10) **Patent No.:** **US D654,652 S**

(45) **Date of Patent:** **\*\* Feb. 21, 2012**

(54) **WHEELBARROW WHEEL**

(75) Inventors: **Stephen D. Hatcher**, Camp Hill, PA  
(US); **Eric Daniel Hyp**, Harrisburg, PA  
(US)

(73) Assignee: **Ames True Temper, Inc.**, Camp Hill, PA  
(US)

(\*\*) Term: **14 Years**

(21) Appl. No.: **29/397,128**

(22) Filed: **Jul. 12, 2011**

(51) **LOC (9) Cl.** ..... **12-02**

(52) **U.S. Cl.** ..... **D34/27**

(58) **Field of Classification Search** ..... D34/12-27;  
D12/211, 204, 205, 301, 209, 135; 280/282,  
280/DIG. 6, 653; 188/218 XL; 298/3

See application file for complete search history.

(56) **References Cited**

U.S. PATENT DOCUMENTS

D276,513 S \* 11/1984 Honsa ..... D12/501  
D327,048 S \* 6/1992 Markling et al. .... D12/204  
D419,516 S \* 1/2000 Gagnon ..... D12/211

D444,283 S \* 6/2001 Konkle ..... D34/27  
D514,048 S \* 1/2006 Sands ..... D12/209  
7,048,296 B1 \* 5/2006 Wu ..... 280/651  
D570,070 S \* 5/2008 Morris ..... D34/27  
D586,072 S \* 2/2009 Morris ..... D34/27  
D596,550 S \* 7/2009 Marquette et al. .... D12/211  
D625,070 S \* 10/2010 Maff ..... D34/10  
D640,439 S \* 6/2011 Morris ..... D34/27  
D649,321 S \* 11/2011 Hatcher et al. .... D34/27

\* cited by examiner

*Primary Examiner* — Cynthia Ramirez

(74) *Attorney, Agent, or Firm* — Eckert Seamans et al.;  
David C. Jenkins, Esq.

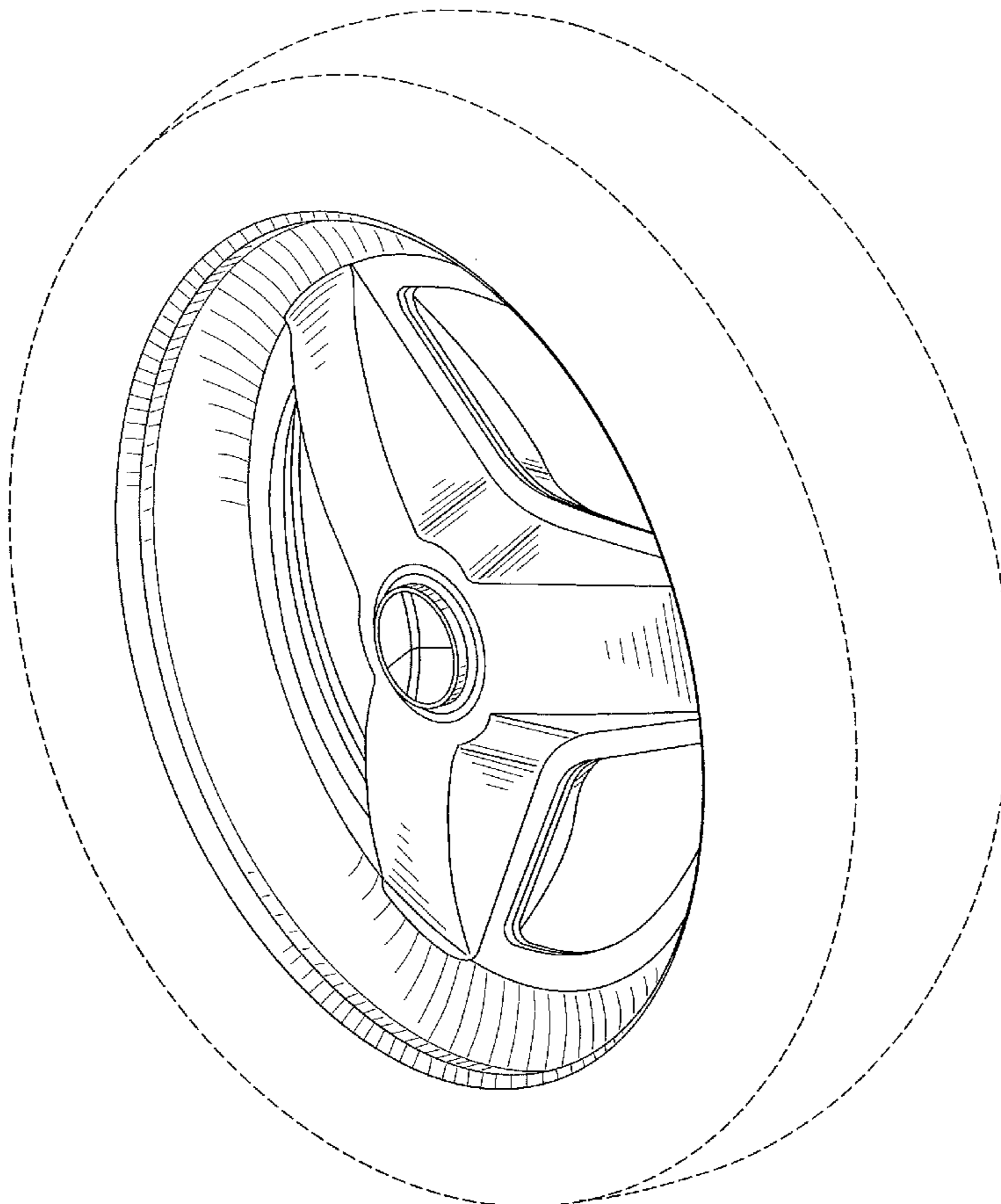
(57) **CLAIM**

The ornamental design for wheelbarrow wheel, as shown and described.

**DESCRIPTION**

FIG. 1 is an isometric view of the wheelbarrow wheel;  
FIG. 2 is an axial view of the wheelbarrow wheel; and,  
FIG. 3 is a radial view of the wheelbarrow wheel.  
It is noted that the phantom lines depicted in the figures are intended for the purposes of illustration only and are not a part of the design.

**1 Claim, 3 Drawing Sheets**



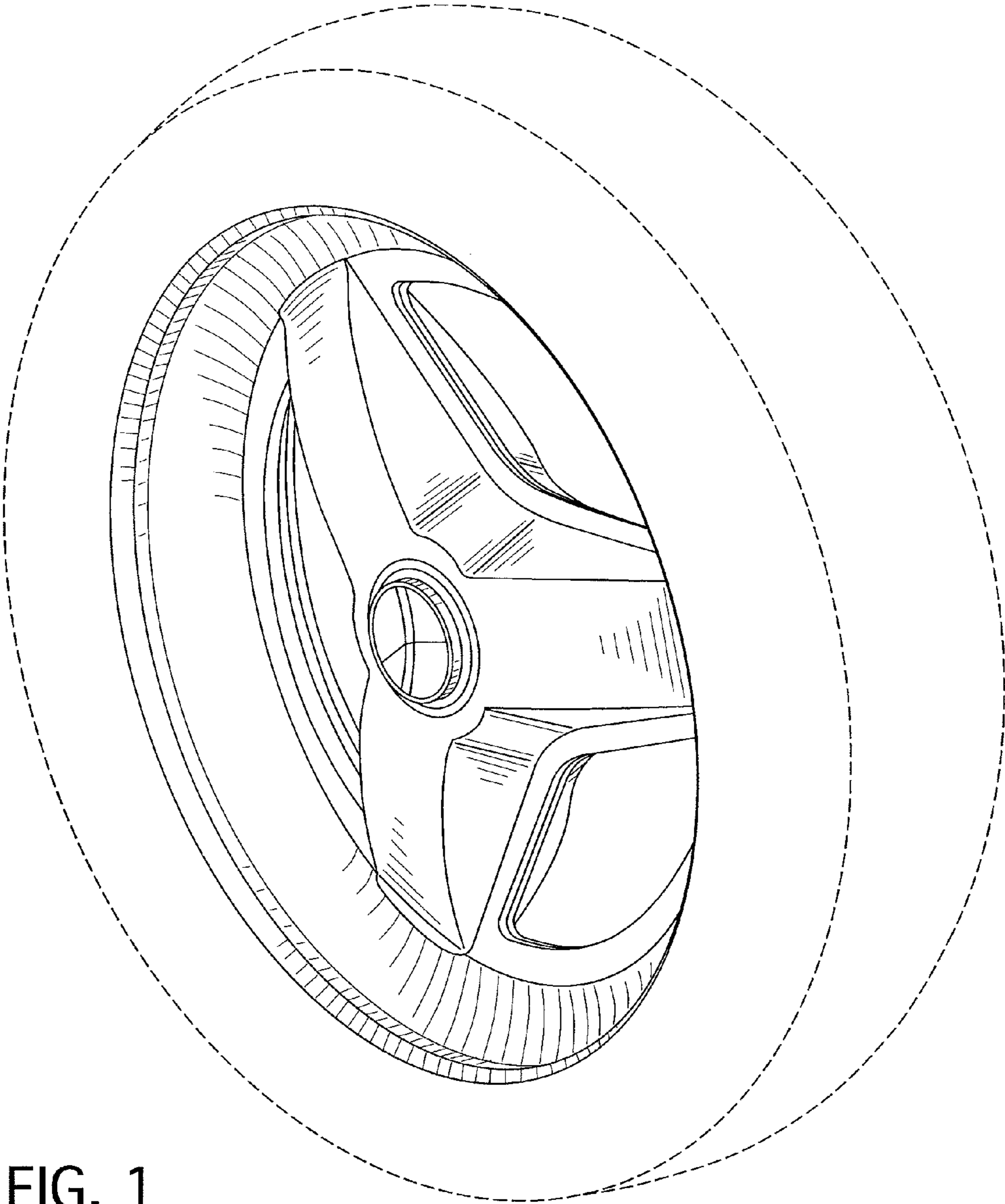


FIG. 1

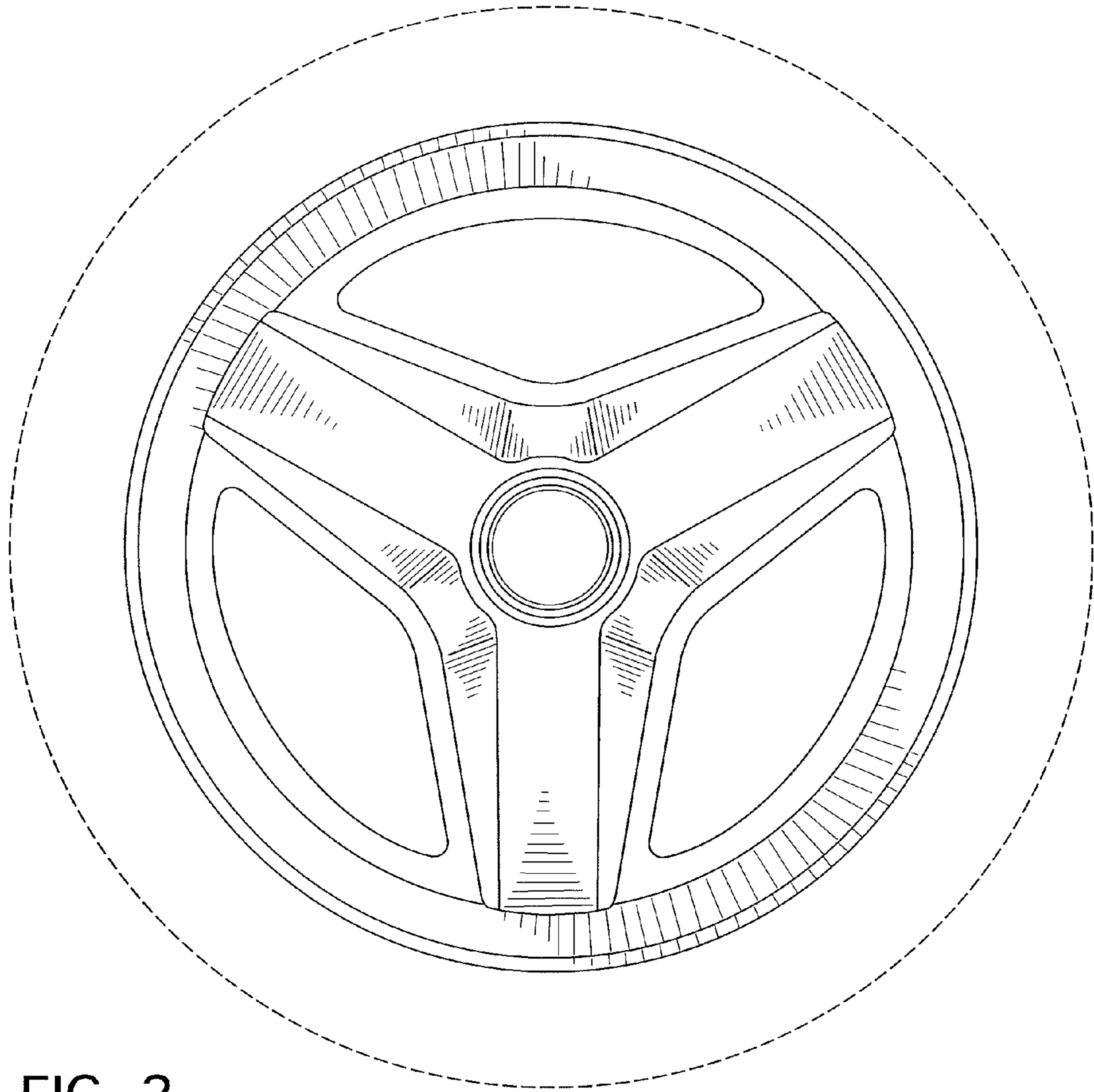


FIG. 2

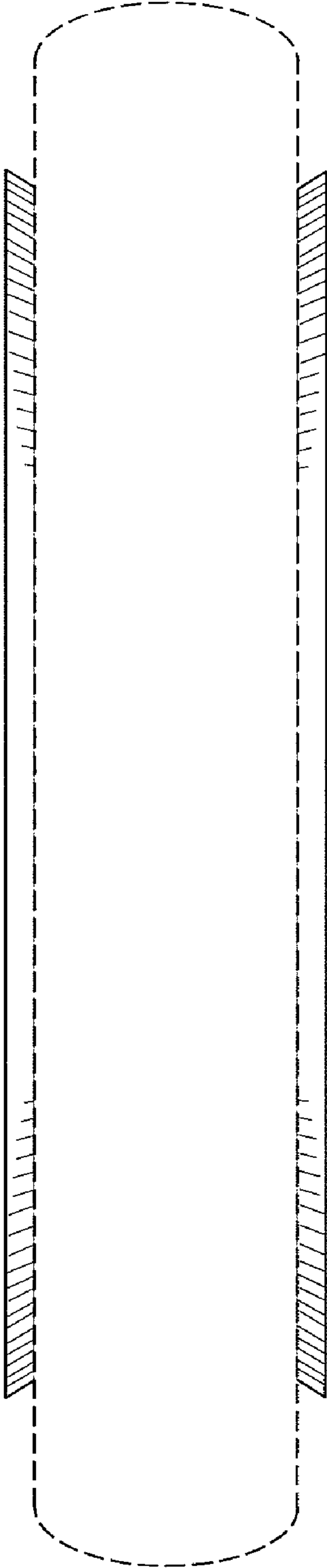


FIG. 3