



US00D654650S

(12) **United States Design Patent**
Albert et al.

(10) **Patent No.:** **US D654,650 S**
(45) **Date of Patent:** **** Feb. 21, 2012**

(54) **WHEELBARROW LEG STABILIZER**

(75) Inventors: **Barry R. Albert**, Dillsburg, PA (US);
Daniel F. Marshall, Enola, PA (US);
Joshua O. Mullen, Duncannon, PA
(US); **Michael J. Lupey, Jr.**, Waterfall,
PA (US)

(73) Assignee: **Ames True Temper, Inc.**, Camp Hill, PA
(US)

(**) Term: **14 Years**

(21) Appl. No.: **29/396,022**

(22) Filed: **Jun. 24, 2011**

(51) **LOC (9) Cl.** **09-09**

(52) **U.S. Cl.** **D34/27**

(58) **Field of Classification Search** D34/12-27;
280/47.12, 47.18, 40, 655, 767, 656, 47.31,
280/30, 47.23; 298/3

See application file for complete search history.

(56) **References Cited**

U.S. PATENT DOCUMENTS

D404,881 S	1/1999	Shuchart et al.
D404,882 S	1/1999	Shuchart et al.
D404,883 S	1/1999	Shuchart et al.
D408,607 S	4/1999	Shuchart et al.
D408,955 S	4/1999	Shuchart et al.
D487,833 S	3/2004	Parker

7,000,929 B1	2/2006	Liu	
D530,879 S *	10/2006	Iturbide Jimenez et al.	.. D34/27
D588,323 S *	3/2009	Zimmerman D34/27
D591,022 S *	4/2009	Zimmerman D34/27
D591,023 S *	4/2009	Zimmerman D34/27
7,748,723 B2	7/2010	Jimenez	
D631,632 S *	1/2011	Iturbide Jimenez D34/27

* cited by examiner

Primary Examiner — Cynthia Ramirez

(74) *Attorney, Agent, or Firm* — Eckert Seamans et al.;
David C. Jenkins, Esq.

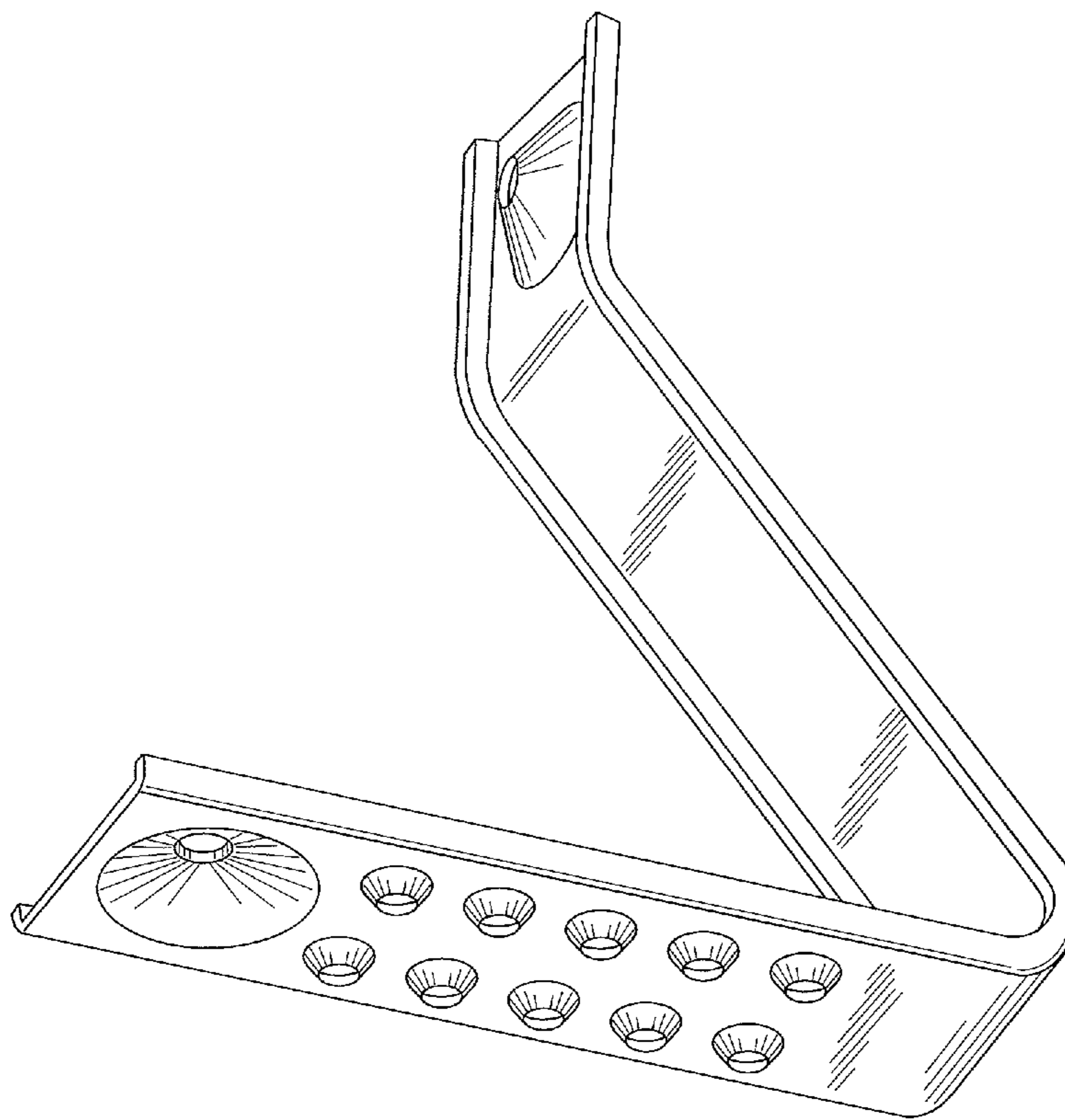
(57) **CLAIM**

The ornamental design for wheelbarrow leg stabilizer, as shown and described.

DESCRIPTION

FIG. 1 is an isometric view of the wheelbarrow leg stabilizer coupled to a wheelbarrow;
FIG. 2 is an isometric view of the wheelbarrow leg stabilizer;
FIG. 3 is a front side view of the wheelbarrow leg stabilizer;
FIG. 4 is a back side view of the wheelbarrow leg stabilizer;
FIG. 5 is a top view of the wheelbarrow leg stabilizer;
FIG. 6 is a bottom view of the wheelbarrow leg stabilizer;
FIG. 7 is a right side view of the wheelbarrow leg stabilizer;
and,
FIG. 8 is a left side view of the wheelbarrow leg stabilizer.
It is noted that the phantom lines depicted in the figures are intended for the purposes of illustration only and are not a part of the design.

1 Claim, 6 Drawing Sheets



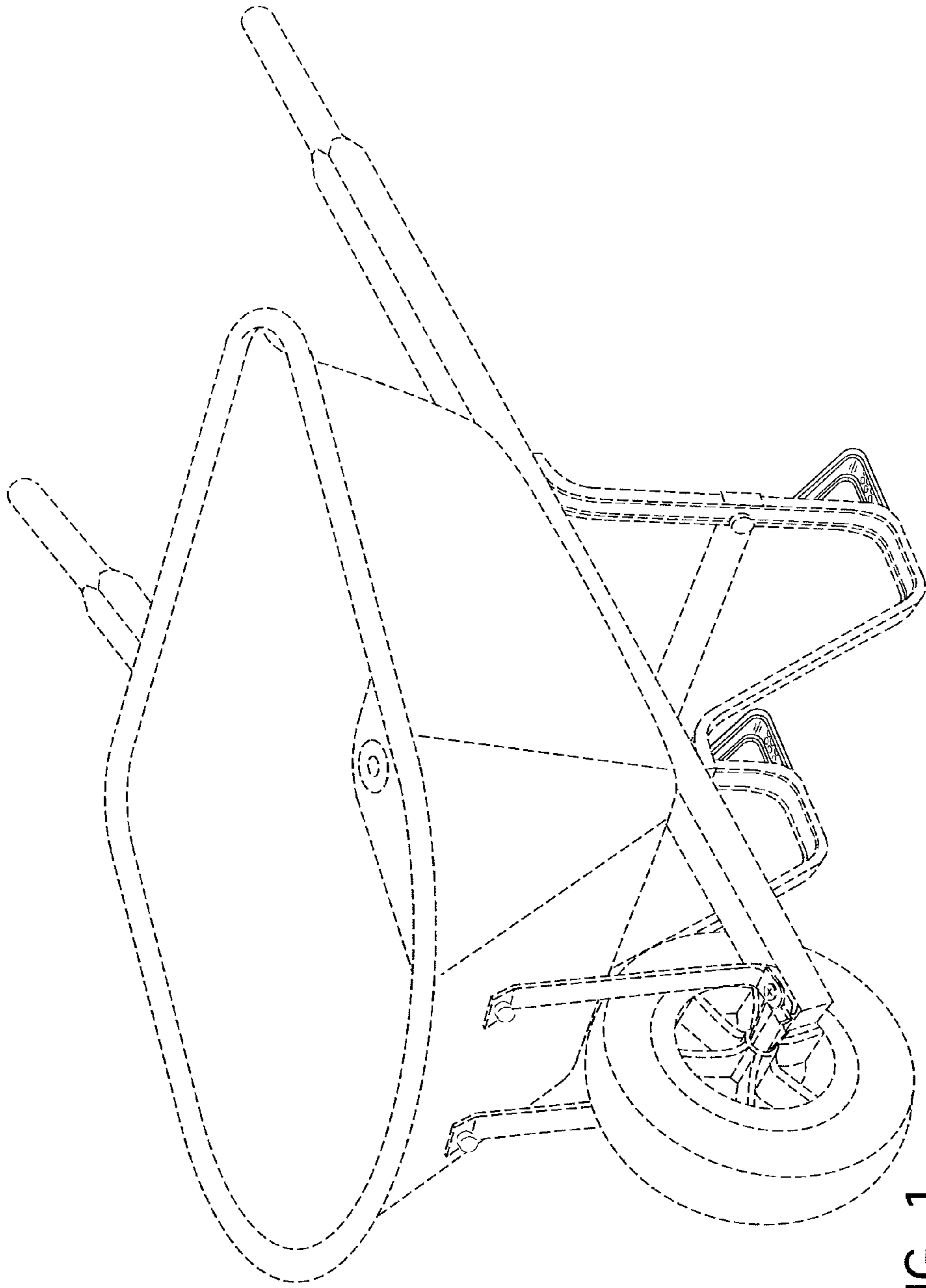


FIG. 1

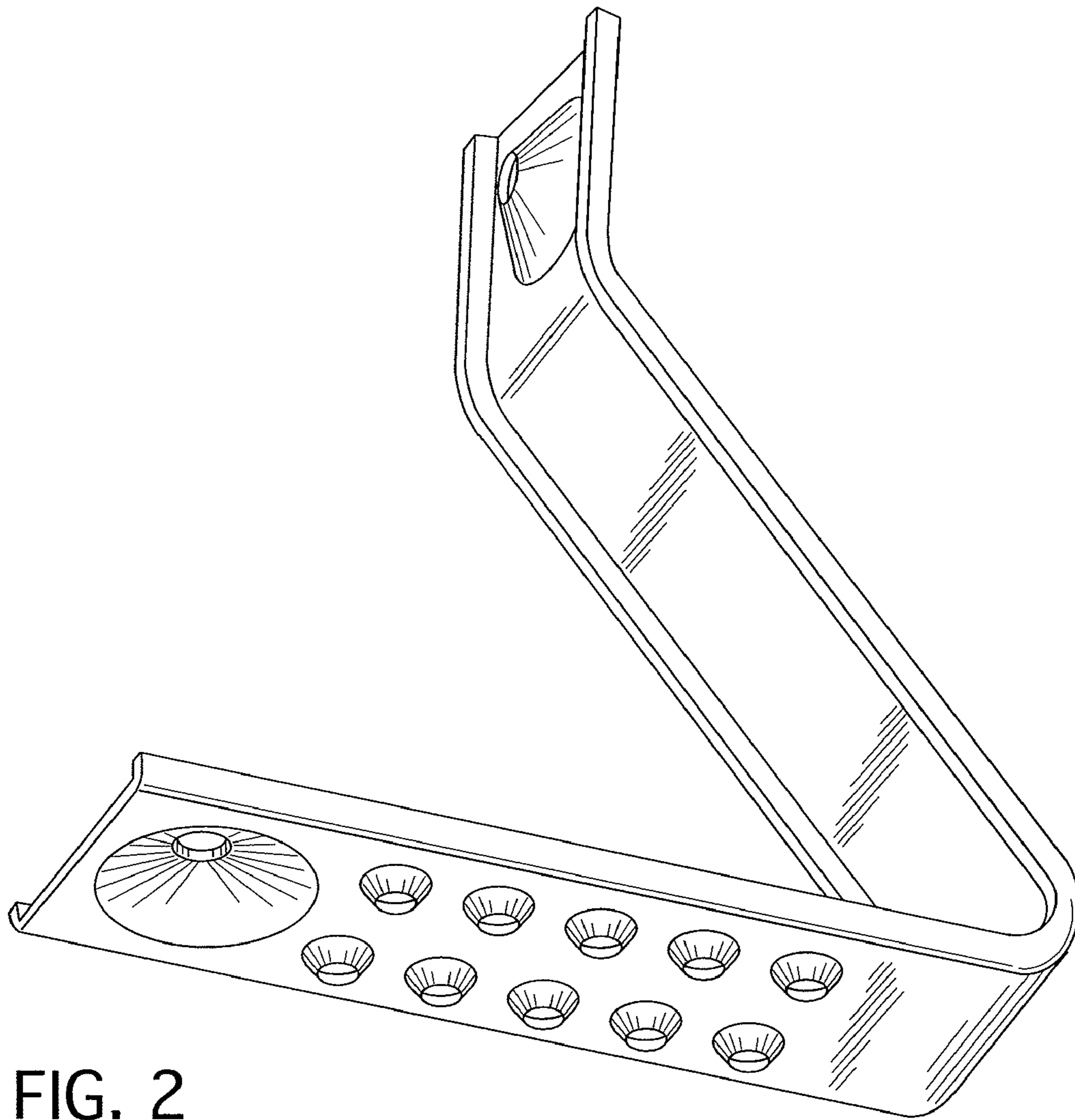


FIG. 2

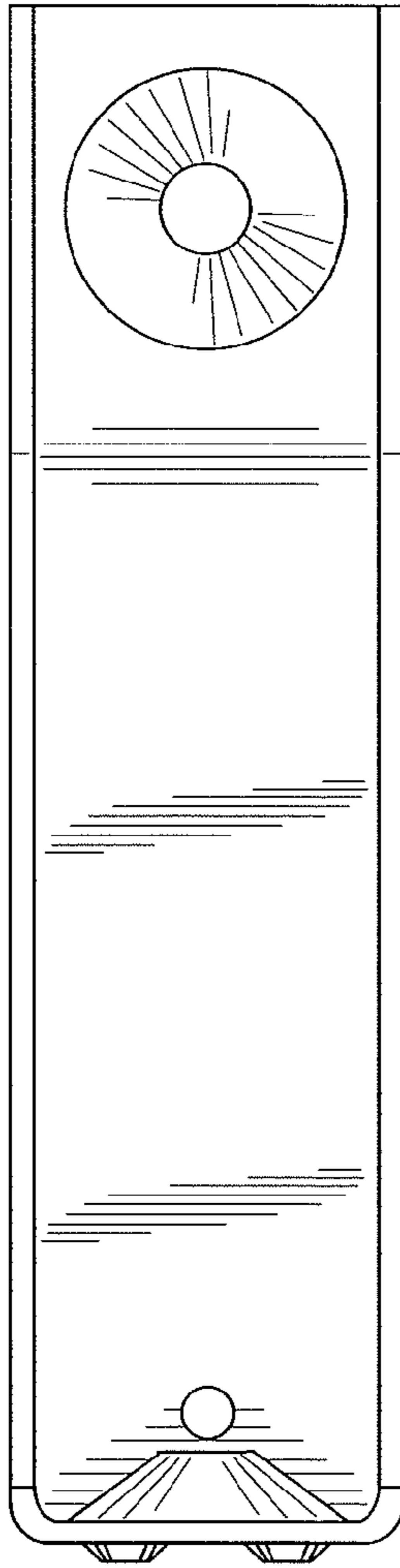


FIG. 3

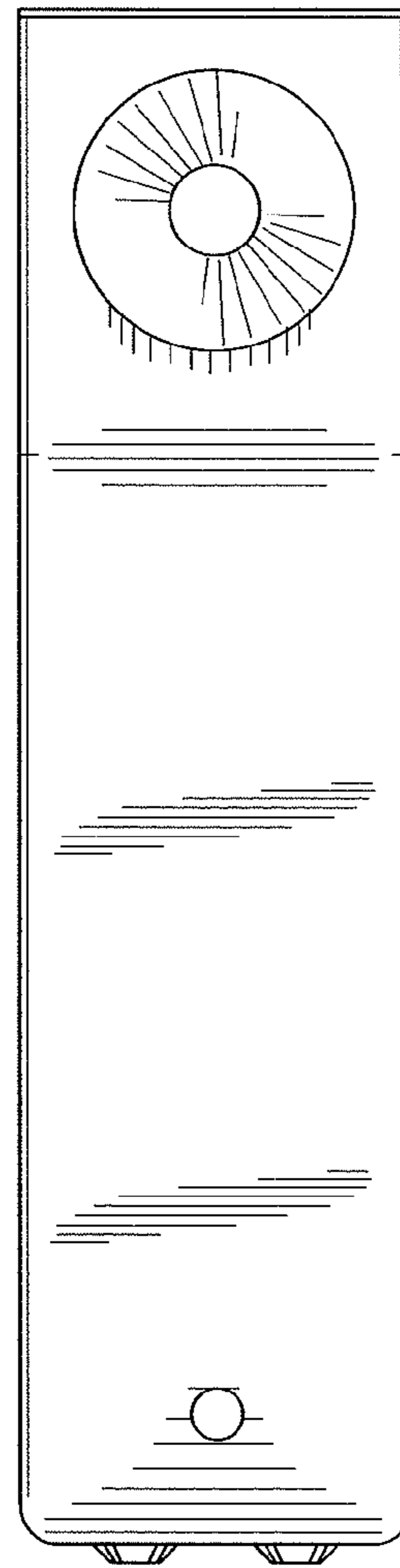


FIG. 4

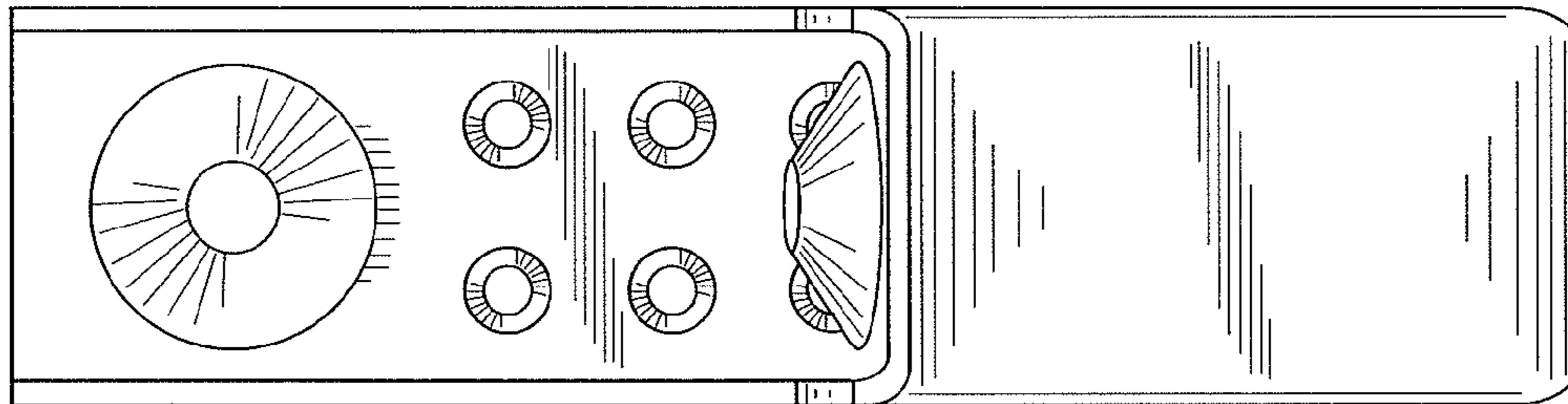


FIG. 5

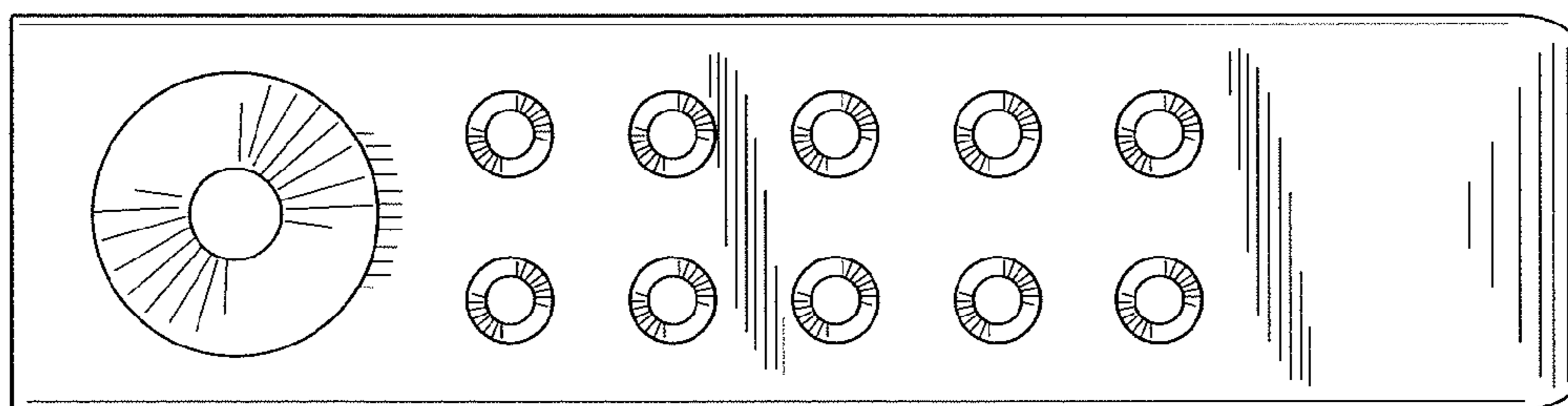


FIG. 6

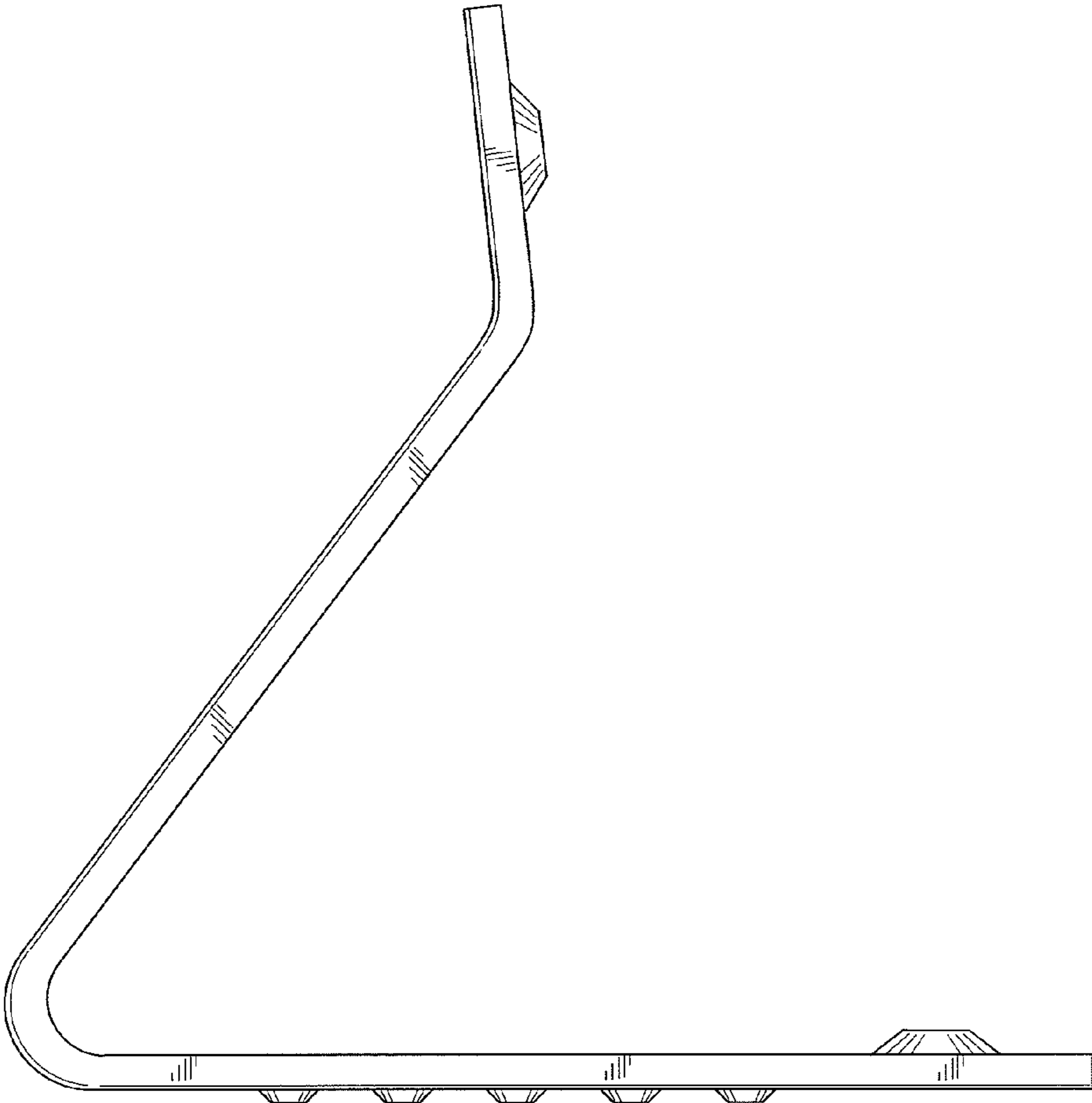


FIG. 7

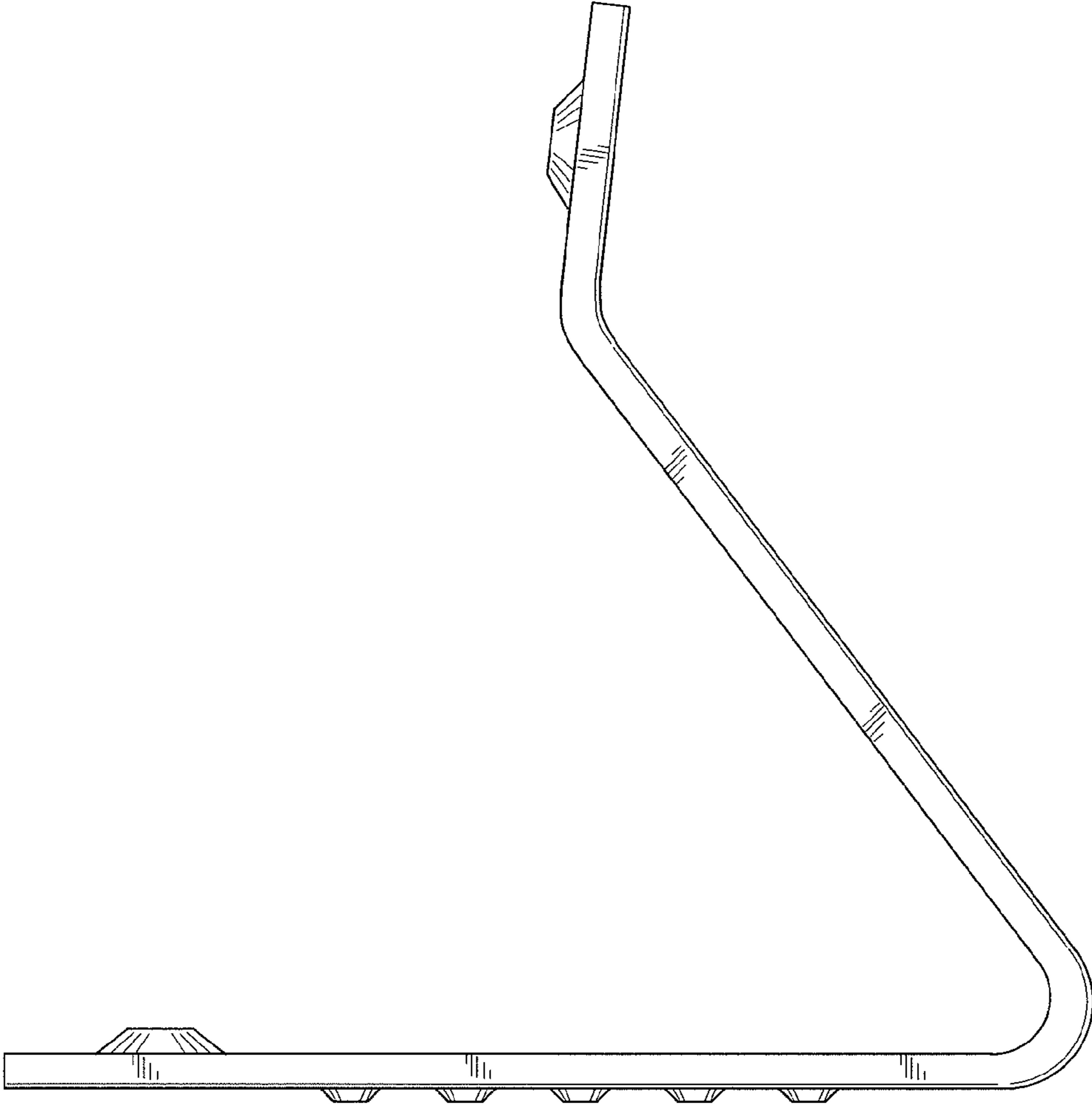


FIG. 8