



US00D654649S

(12) **United States Design Patent**
Blaszczak et al.

(10) **Patent No.:** **US D654,649 S**

(45) **Date of Patent:** **** Feb. 21, 2012**

(54) **HOSE REEL**

(75) Inventors: **Greg Blaszczak**, Hummelstown, PA (US); **Peter Arcati**, Dillsburg, PA (US)

(73) Assignee: **Ames True Temper, Inc.**, Camp Hill, PA (US)

(**) Term: **14 Years**

(21) Appl. No.: **29/389,244**

(22) Filed: **Apr. 8, 2011**

(51) **LOC (9) Cl.** **12-02**

(52) **U.S. Cl.** **D34/24**

(58) **Field of Classification Search** D34/12-27;
242/403.1, 395; 280/33.991, 33.992, 47.18,
280/47.26, 47.34; D8/356, 359

See application file for complete search history.

(56) **References Cited**

U.S. PATENT DOCUMENTS

3,286,502	A	11/1966	Cogan	
RE32,510	E *	9/1987	Tisbo et al.	137/355.27
D328,173	S *	7/1992	Nelson	D34/26
D349,039	S *	7/1994	Goodman et al.	D8/359
D352,149	S *	11/1994	Nelson et al.	D34/26
D390,095	S	2/1998	Spear et al.	
D390,315	S *	2/1998	Spear et al.	D34/24
D395,111	S	6/1998	Spear	
D409,813	S *	5/1999	Tisbo et al.	D34/24
D417,538	S *	12/1999	Tisbo et al.	D34/24
D418,270	S *	12/1999	Tisbo et al.	D34/24

6,386,473	B1 *	5/2002	Vitaletti	242/403.1
D503,837	S *	4/2005	Alkalay	D34/14
2004/0188558	A1 *	9/2004	Moon et al.	242/403.1

OTHER PUBLICATIONS

AMAZON.COM—Advertisement, Image of Suncast SHA150B 150-Foot Capacity Garden Hose, Jul. 22, 2010, 1 page.

AMAZON.COM—Advertisement, Image of Suncast HRC200 Hosemobile 225-Foot Hose Reel Cart, Jul. 22, 2010, 1 page.

* cited by examiner

Primary Examiner — Cynthia Ramirez

(74) *Attorney, Agent, or Firm* — Ekert Seamans et al.; David C. Jenkins, Esq.

(57) **CLAIM**

The ornamental design for hose reel, as shown and described.

DESCRIPTION

FIG. 1 is an isometric view of the hose reel;

FIG. 2 is a front view of the hose reel;

FIG. 3 is a back view of the hose reel;

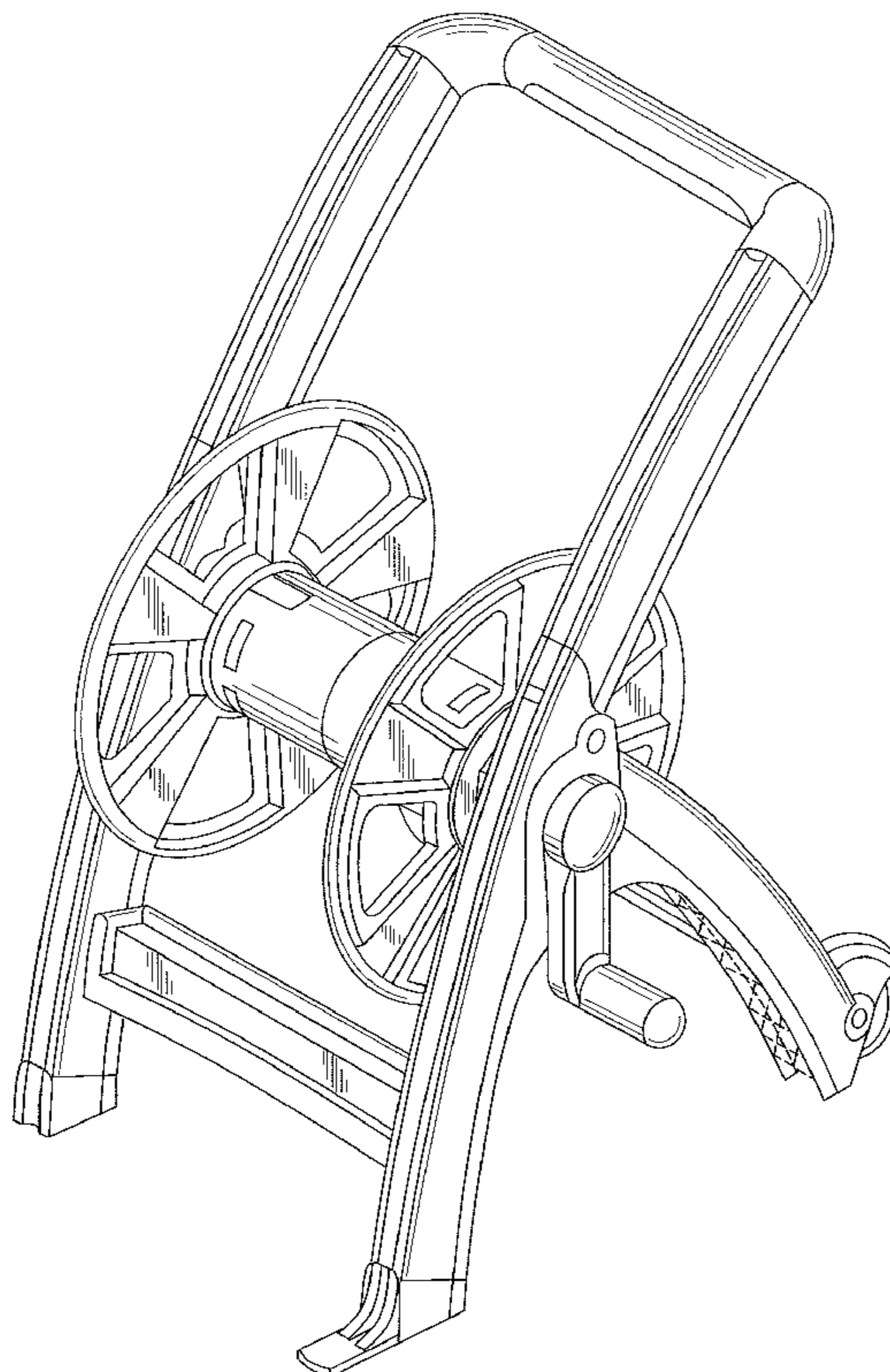
FIG. 4 is a top view of the hose reel;

FIG. 5 is a right side view of the hose reel; and,

FIG. 6 is a left view of the hose reel.

The broken lines in the figures are included for the purpose of illustrating portions of the hose reel and form no part of the claimed design.

1 Claim, 6 Drawing Sheets



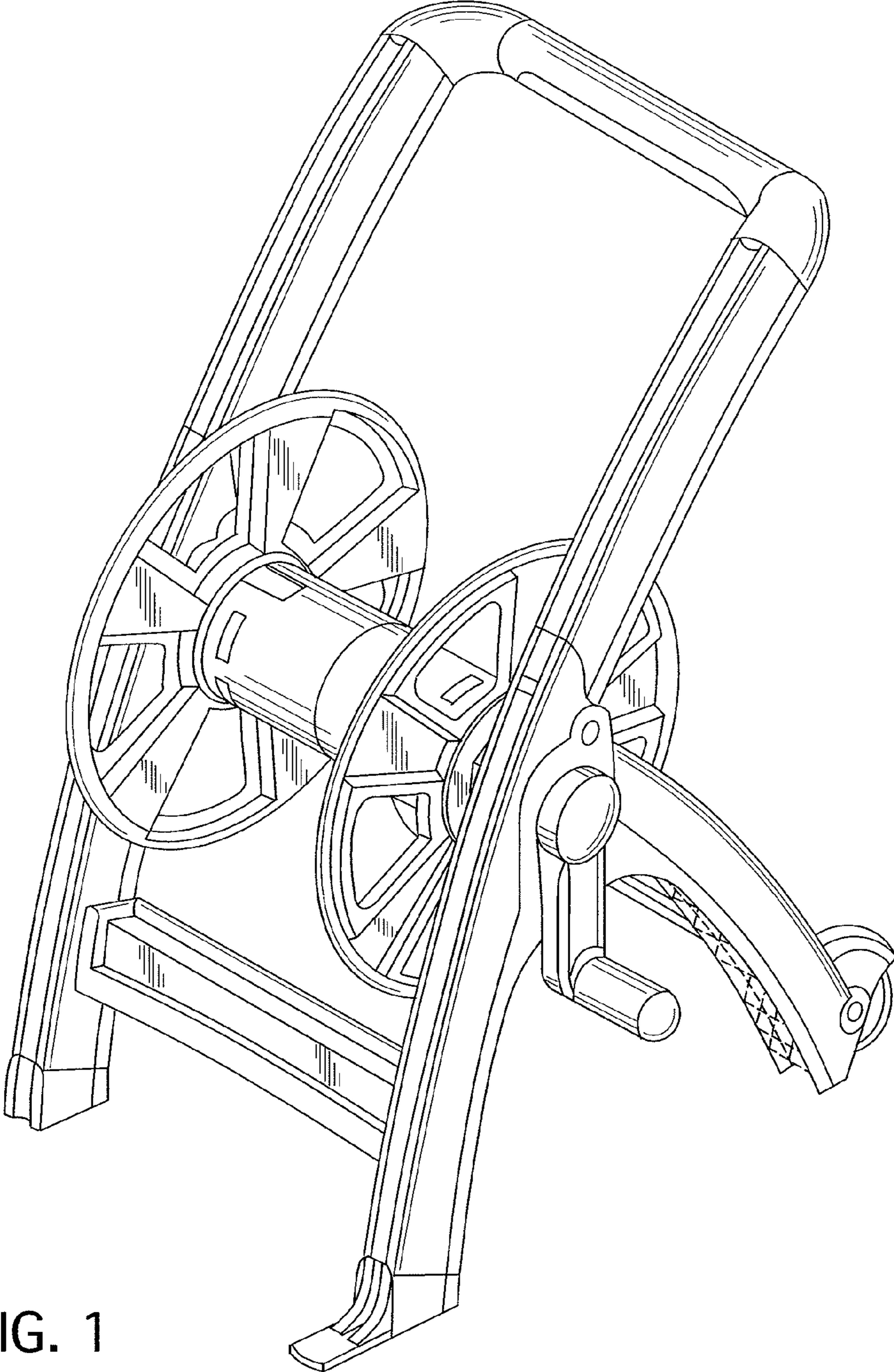


FIG. 1

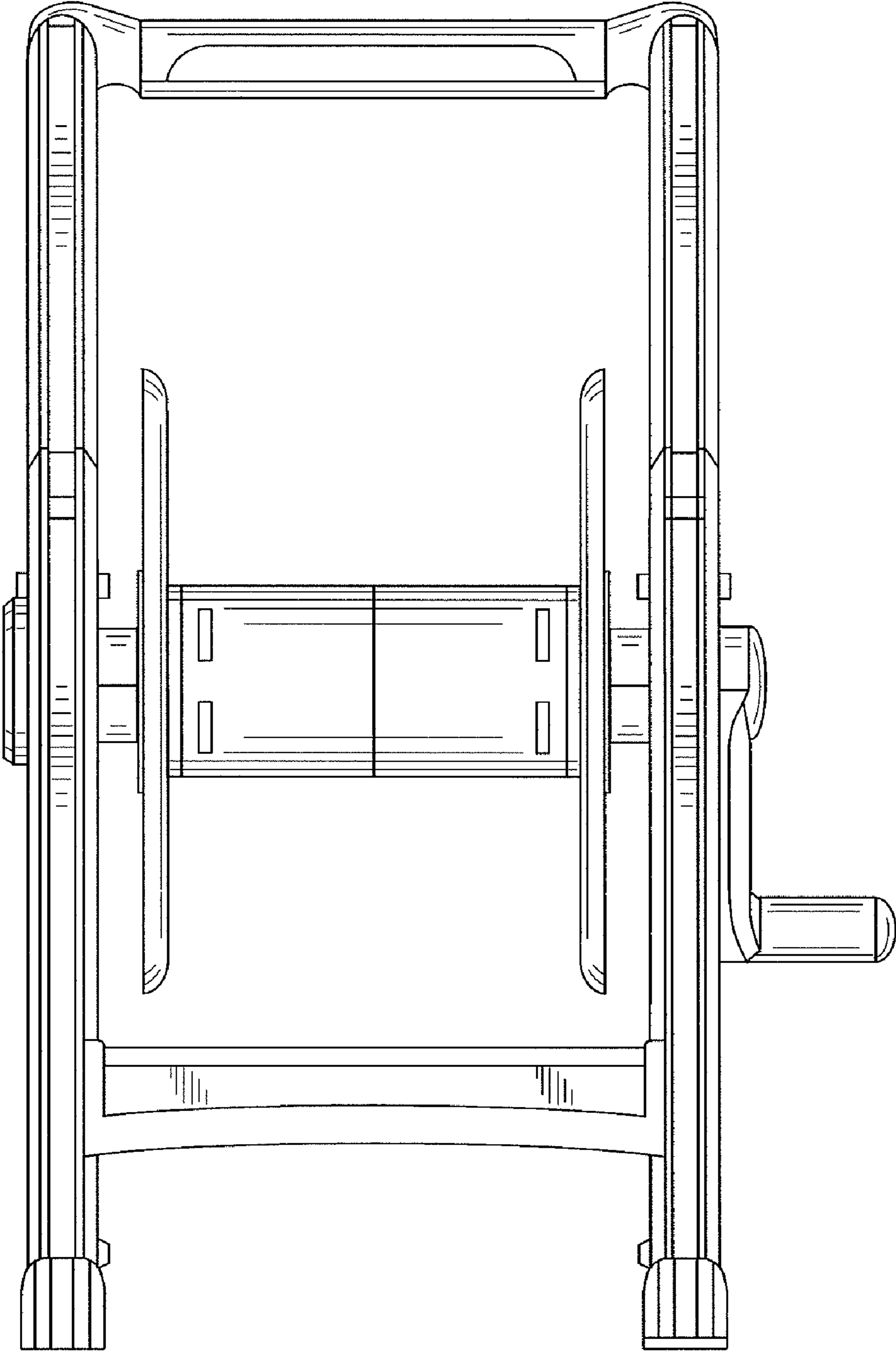


FIG. 2

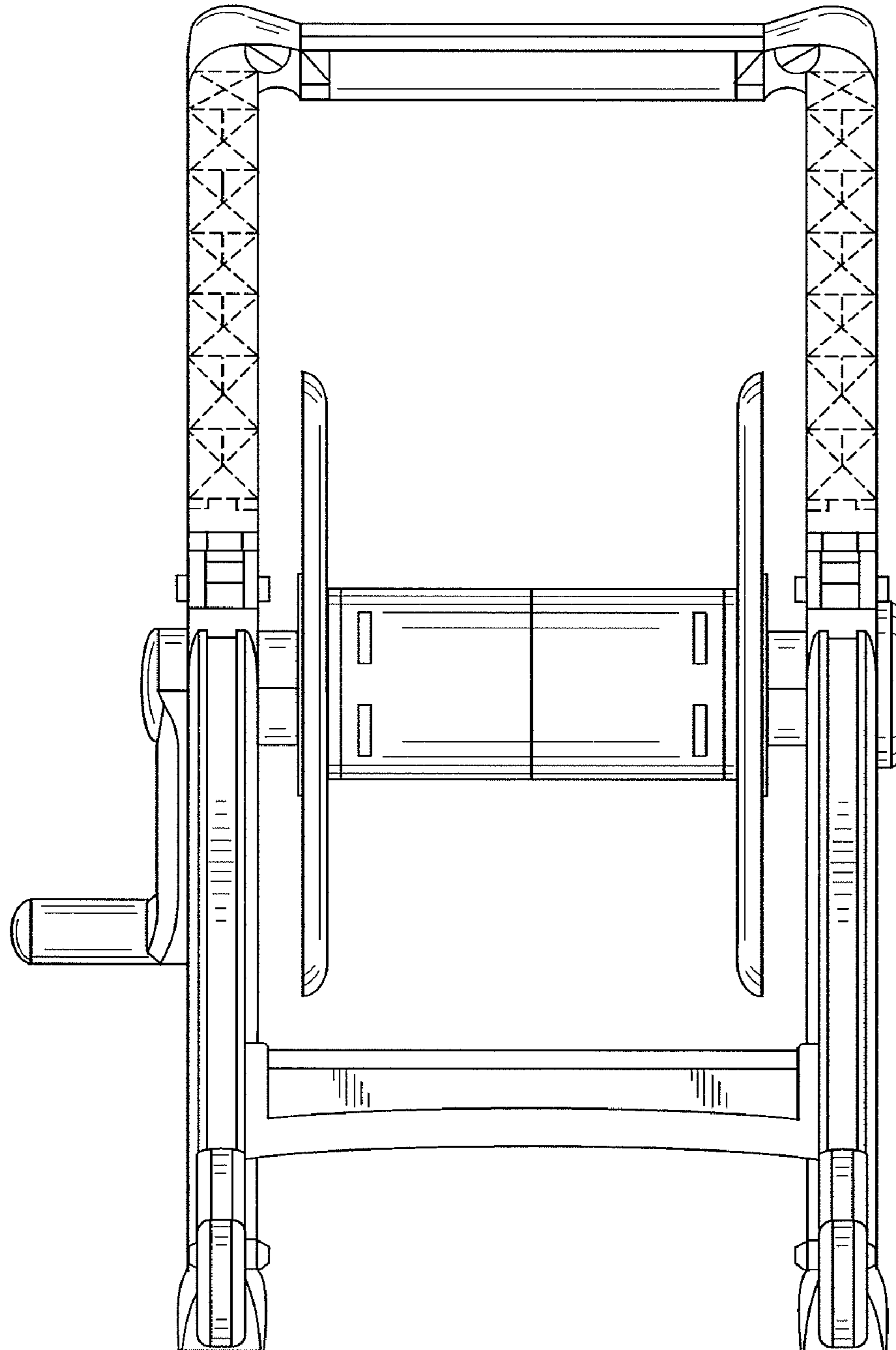


FIG. 3

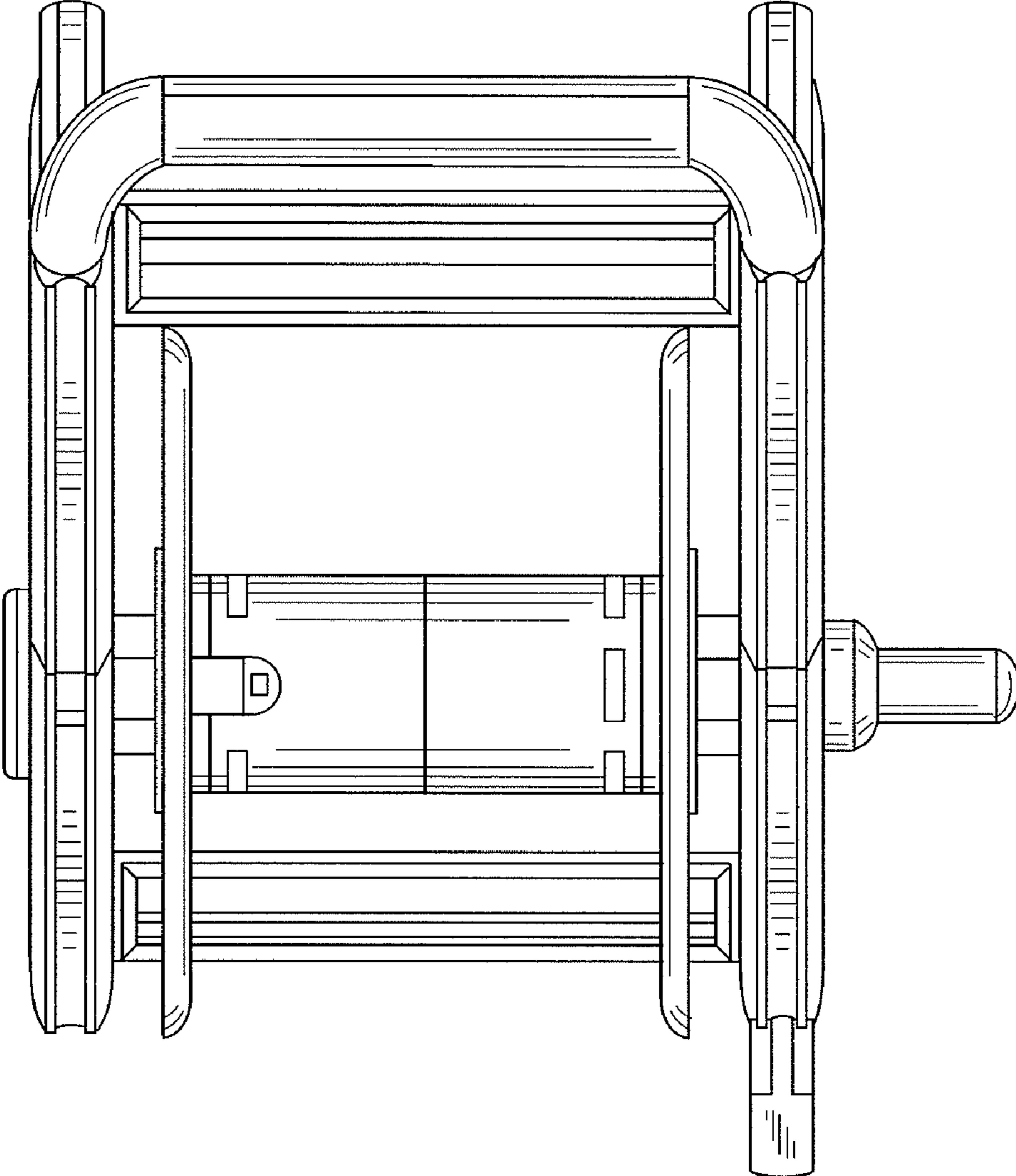


FIG. 4

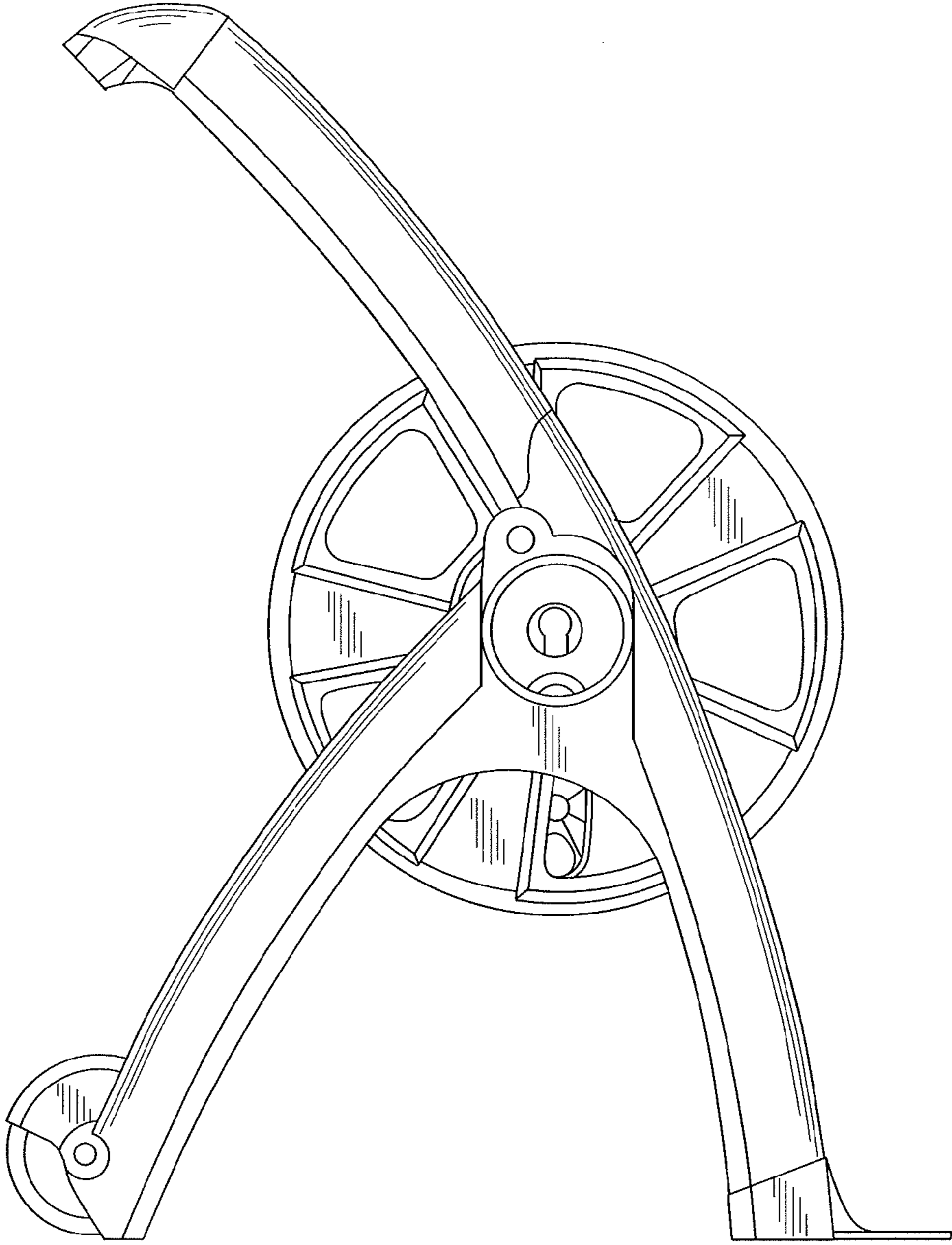


FIG. 5

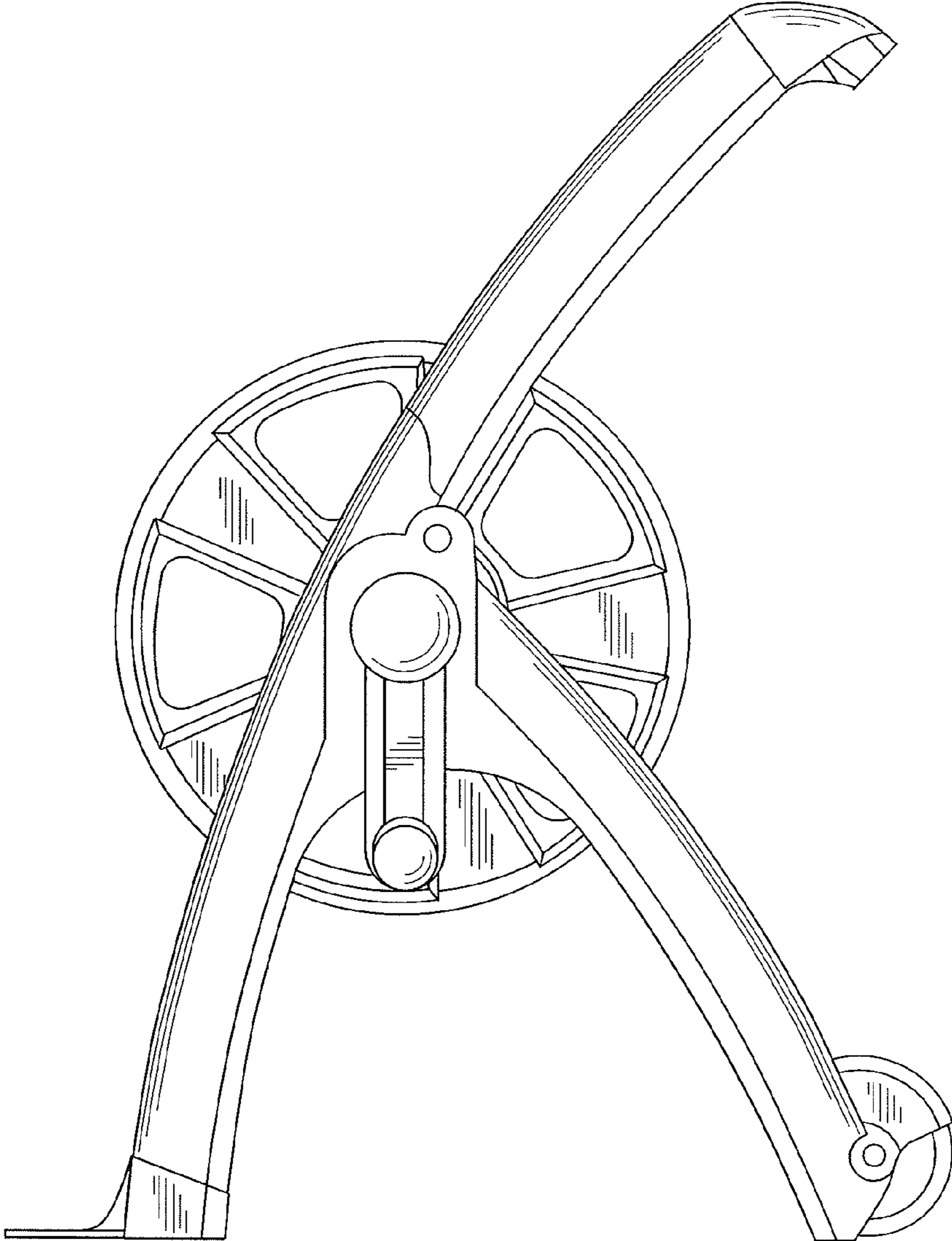


FIG. 6