



US00D654646S

(12) **United States Design Patent**
Williams

(10) **Patent No.:** **US D654,646 S**

(45) **Date of Patent:** **** Feb. 21, 2012**

(54) **DEVICE FOR HOLDING OPEN A TRASH BAG**

(76) Inventor: **Michael Dewayne Williams**, Holland,
MO (US)

(**) Term: **14 Years**

(21) Appl. No.: **29/388,306**

(22) Filed: **Mar. 28, 2011**

(51) **LOC (9) Cl.** **09-09**

(52) **U.S. Cl.** **D34/6**

(58) **Field of Classification Search** D34/1,
D34/5, 6, 7, 10, 11; 248/95, 97, 99, 100,
248/101; 383/33; D6/566; D9/434, 435,
D9/436

See application file for complete search history.

(56) **References Cited**

U.S. PATENT DOCUMENTS

868,269	A *	10/1907	Hulbert	248/100
1,188,955	A *	6/1916	Leonard	383/127
1,353,330	A *	9/1920	Erickson	248/101
1,953,042	A *	3/1934	Cody	414/419
3,893,649	A *	7/1975	Cornell et al.	248/99
3,997,072	A *	12/1976	Guth	220/324
5,655,739	A *	8/1997	Teh-Wah Goo	248/101
5,921,427	A *	7/1999	Giannone et al.	220/495.06
D484,660	S *	12/2003	Robbins	D34/6
D485,404	S *	1/2004	Del Prato	D34/6
6,691,959	B1 *	2/2004	Dancy	248/100
7,350,547	B2 *	4/2008	Quiring	141/391

* cited by examiner

Primary Examiner — Cynthia Ramirez

(74) *Attorney, Agent, or Firm* — Weiner & Burt, P.C.; Irving
M. Weiner; Pamela S. Burt

(57) **CLAIM**

The ornamental design for a device for holding open a trash
bag, as shown and described.

DESCRIPTION

FIG. 1 is a perspective view of the first embodiment of a
device for holding open a trash bag showing our new design;
FIG. 2 is a left side elevational view thereof.

FIG. 3 is a front elevational view thereof, showing the trash
bag in phantom line.

FIG. 4 is a right elevational view thereof.

FIG. 5 is a rear elevational view thereof.

FIG. 6 is top plan view thereof.

FIG. 7 is a bottom view thereof.

FIG. 8 is a perspective view of the second embodiment of a
device for holding open a trash bag showing our new design;
FIG. 9 is a left side elevational view of the FIG. 8 embodi-
ment.

FIG. 10 is a front elevational view of the FIG. 8 embodi-
ment, showing the trash bag in phantom line.

FIG. 11 is a right elevational view of the FIG. 8 embodi-
ment.

FIG. 12 is a rear elevational view of the FIG. 8 embodi-
ment.

FIG. 13 is top plan view of the FIG. 8 embodi-
ment; and,

FIG. 14 is a bottom view of the FIG. 8 embodi-
ment.

The broken line showing of a trash bag in FIGS. 3 and 10 is
included for the purpose of illustrating environment and
forms no part of the claimed design.

1 Claim, 8 Drawing Sheets

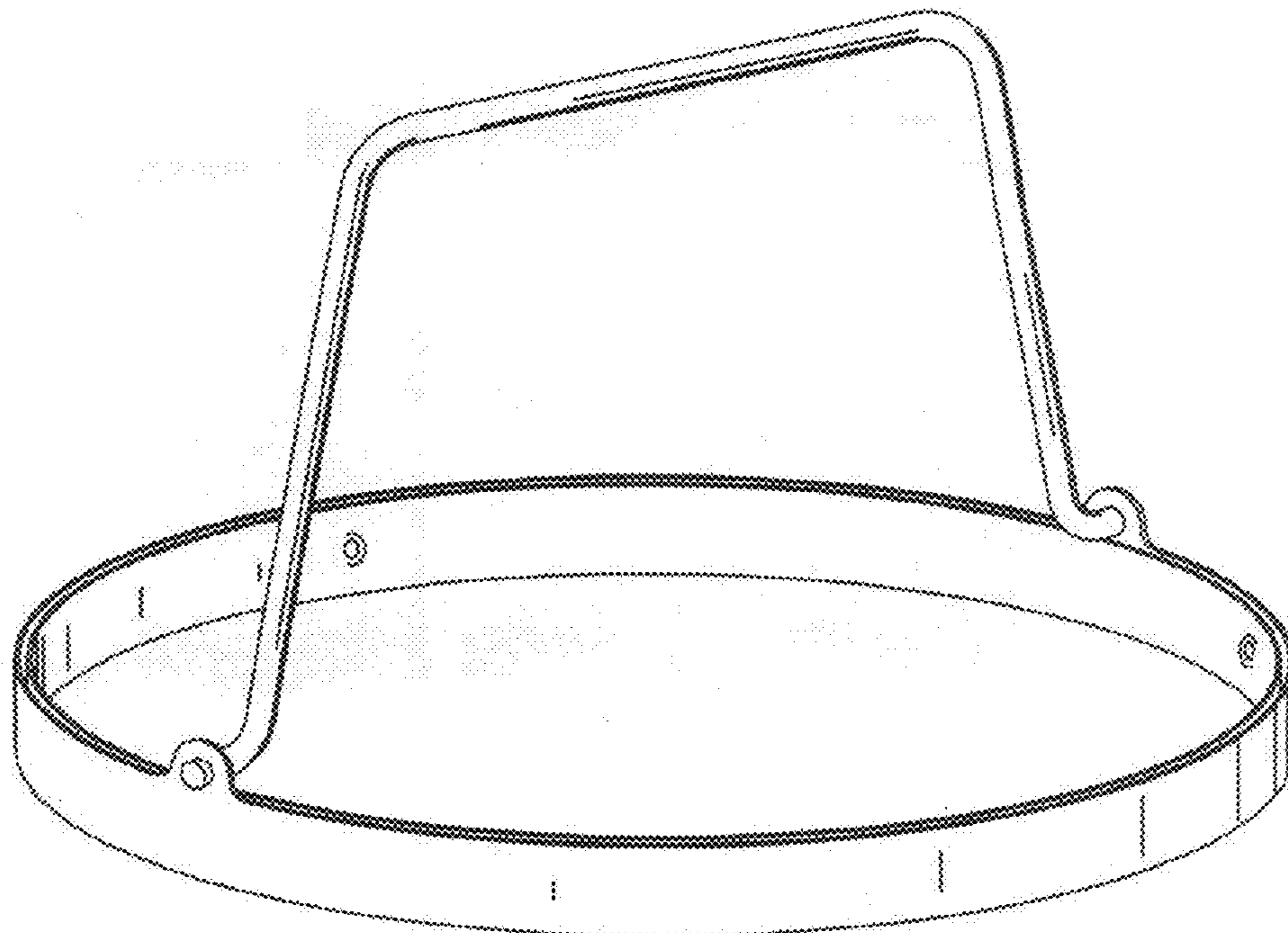


FIG 1

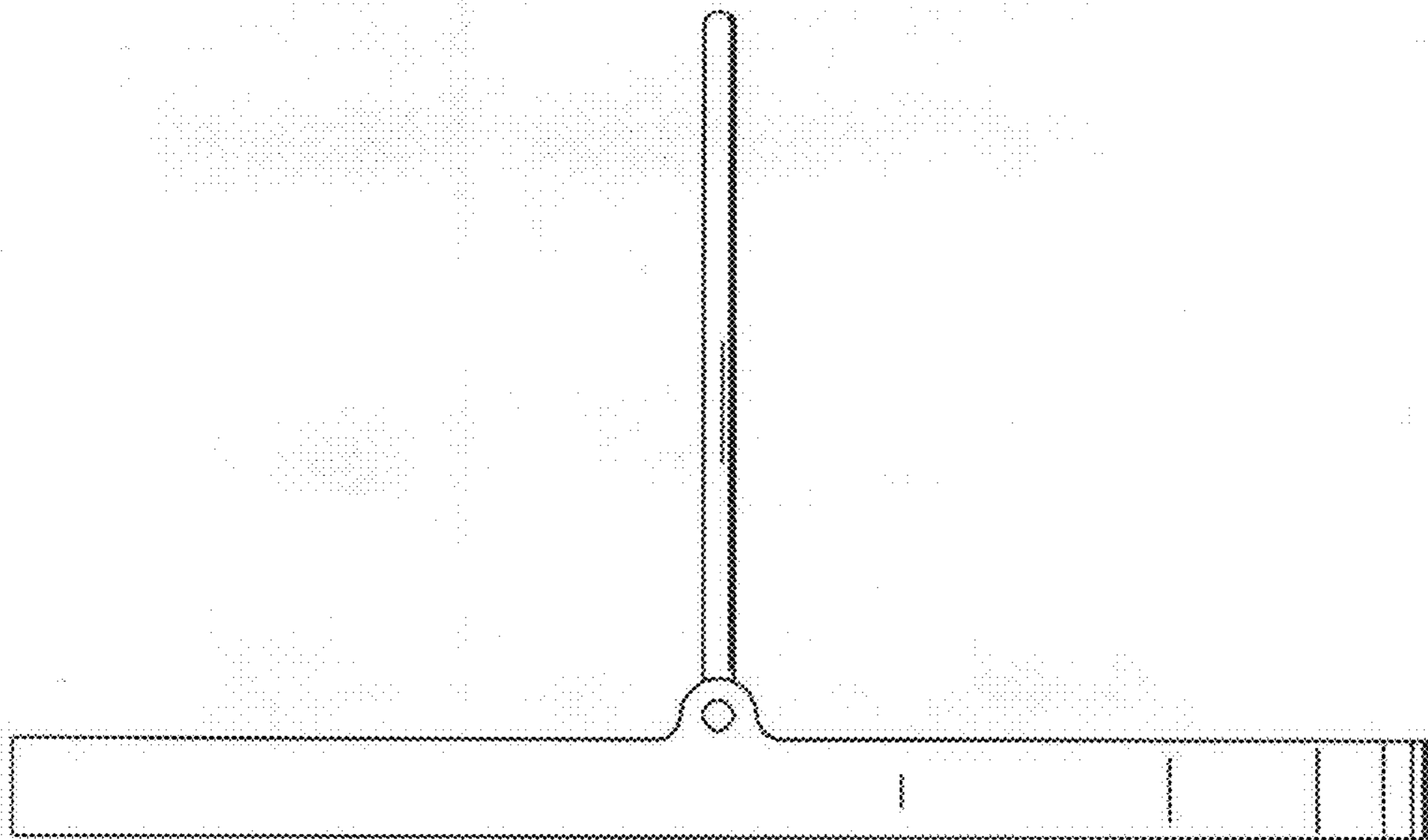
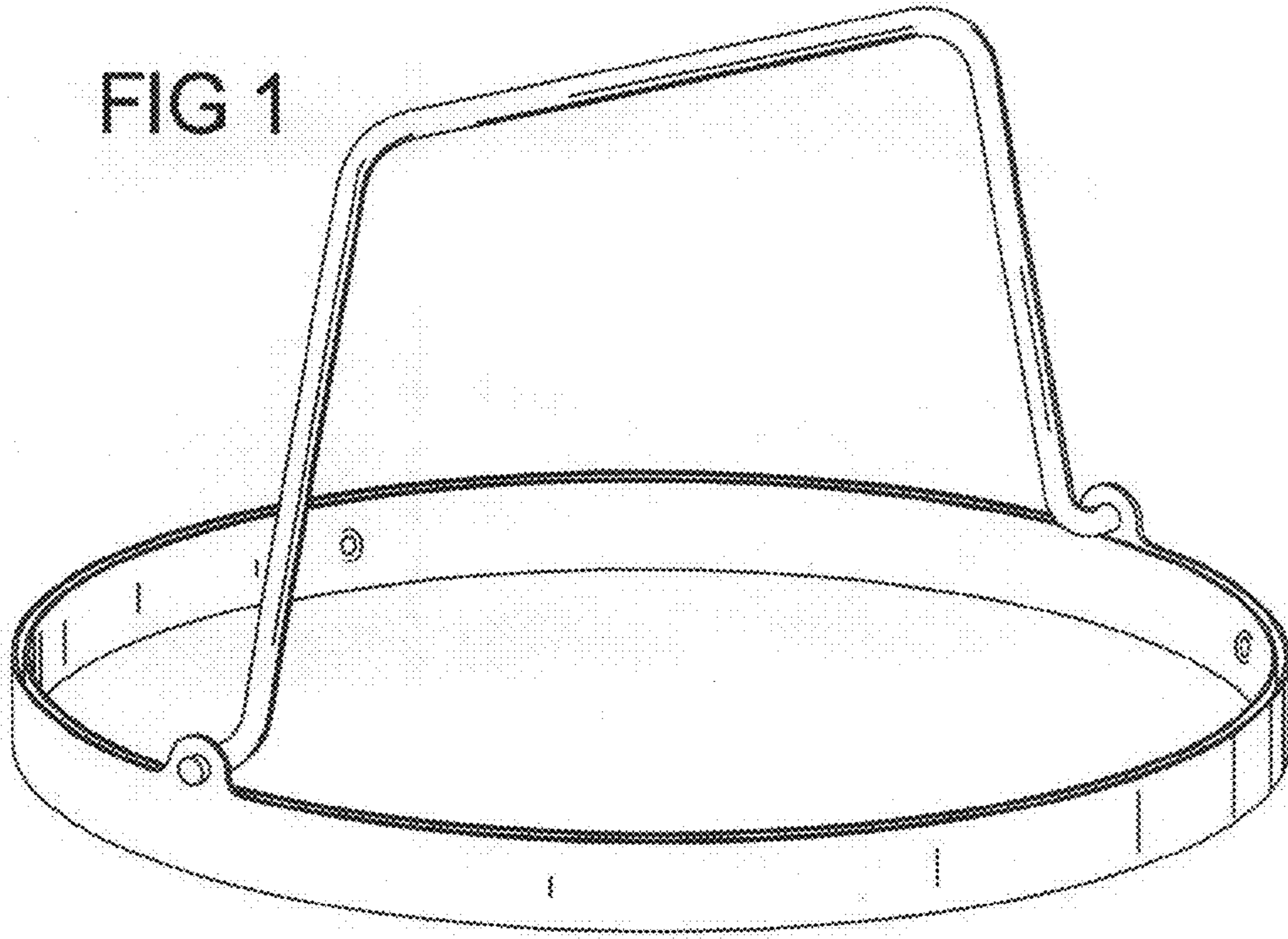


FIG 2

FIG 3

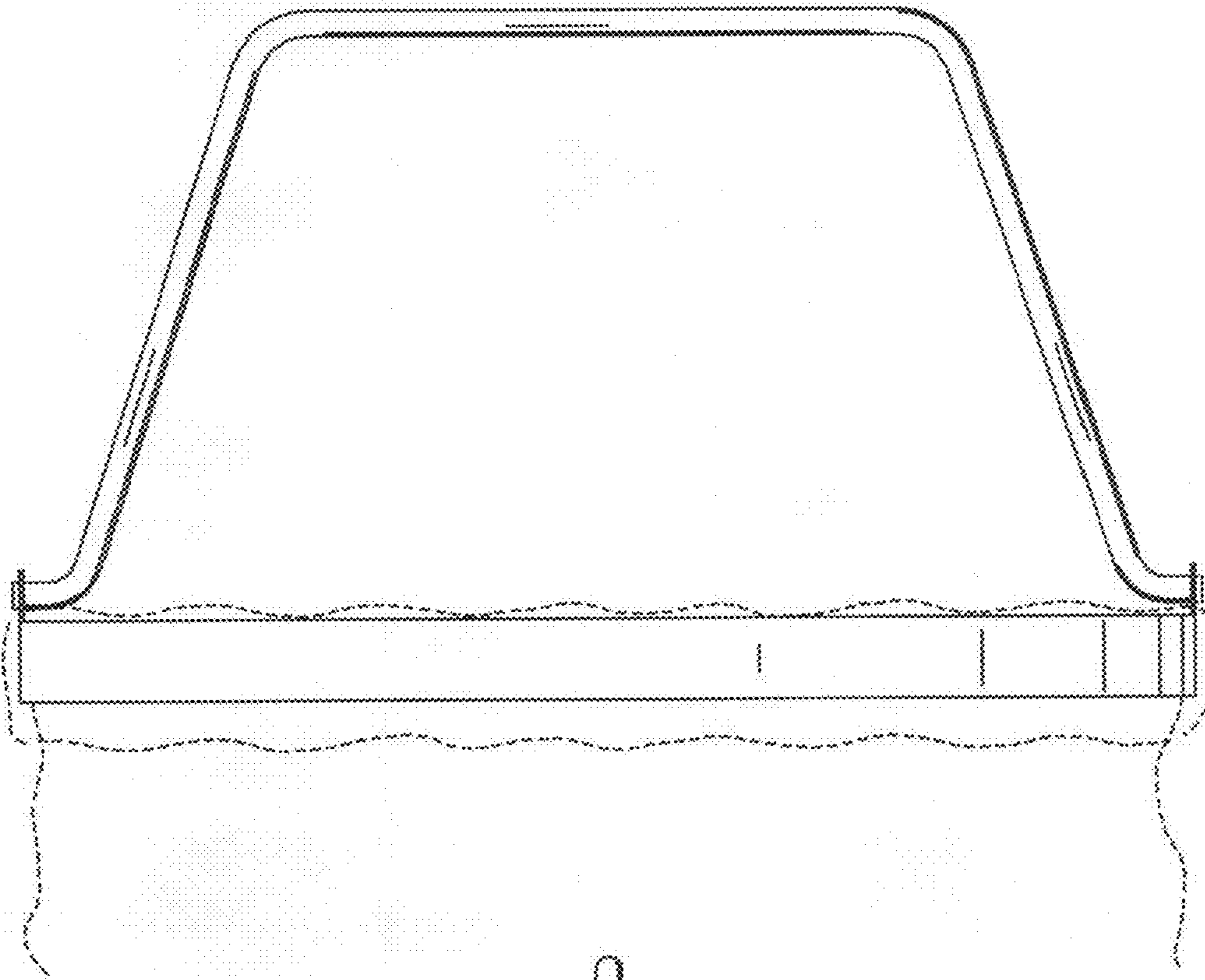


FIG 4

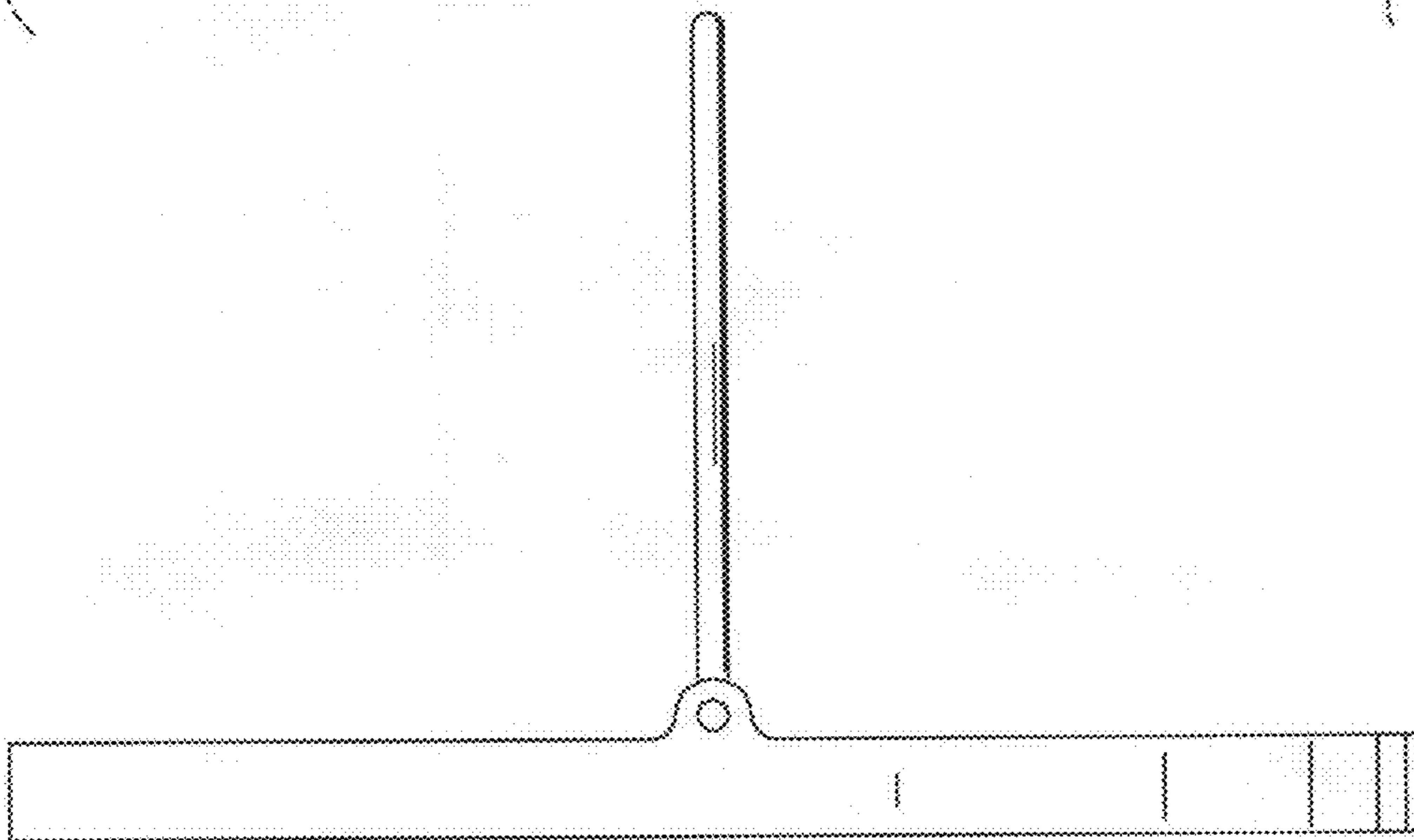


FIG 5

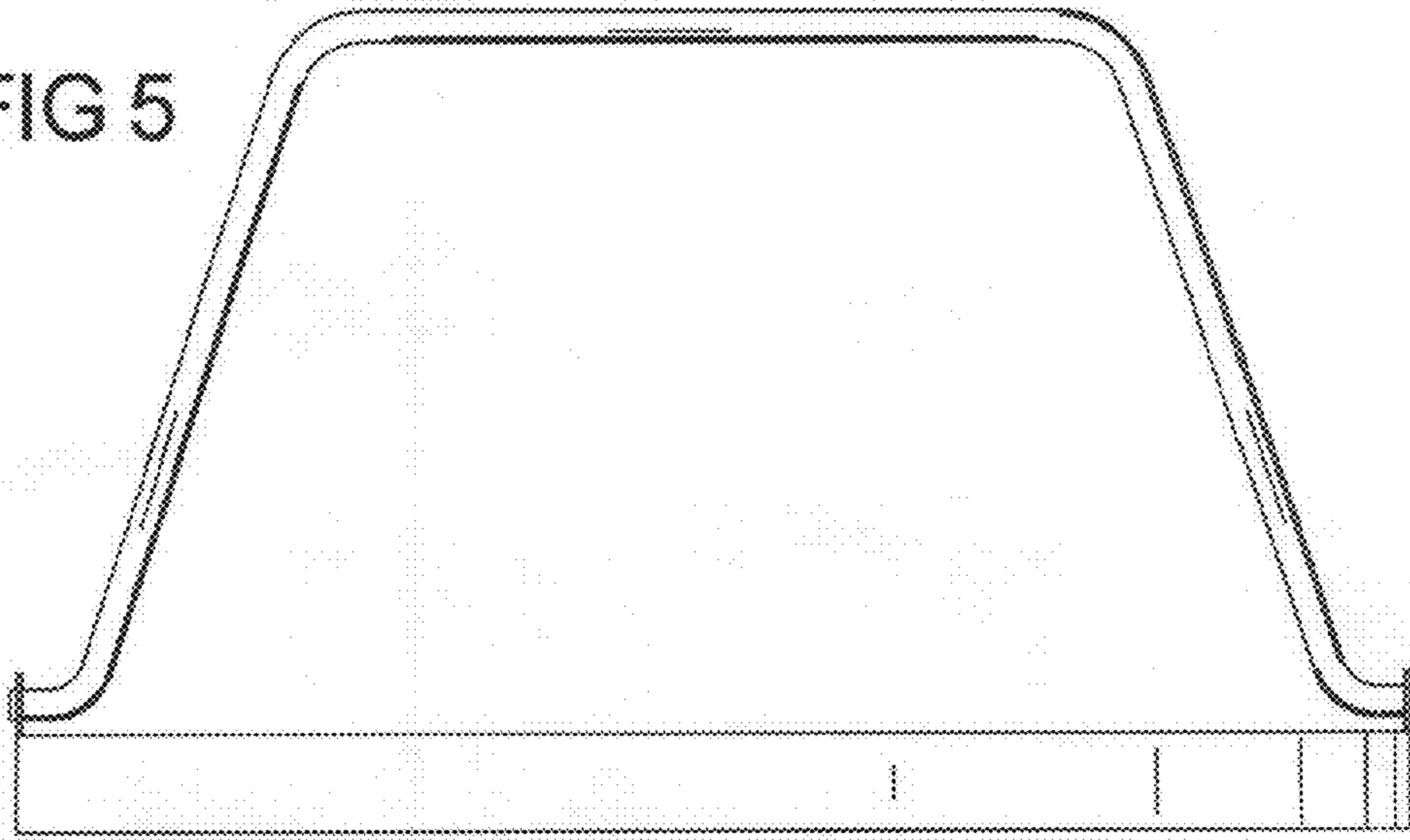
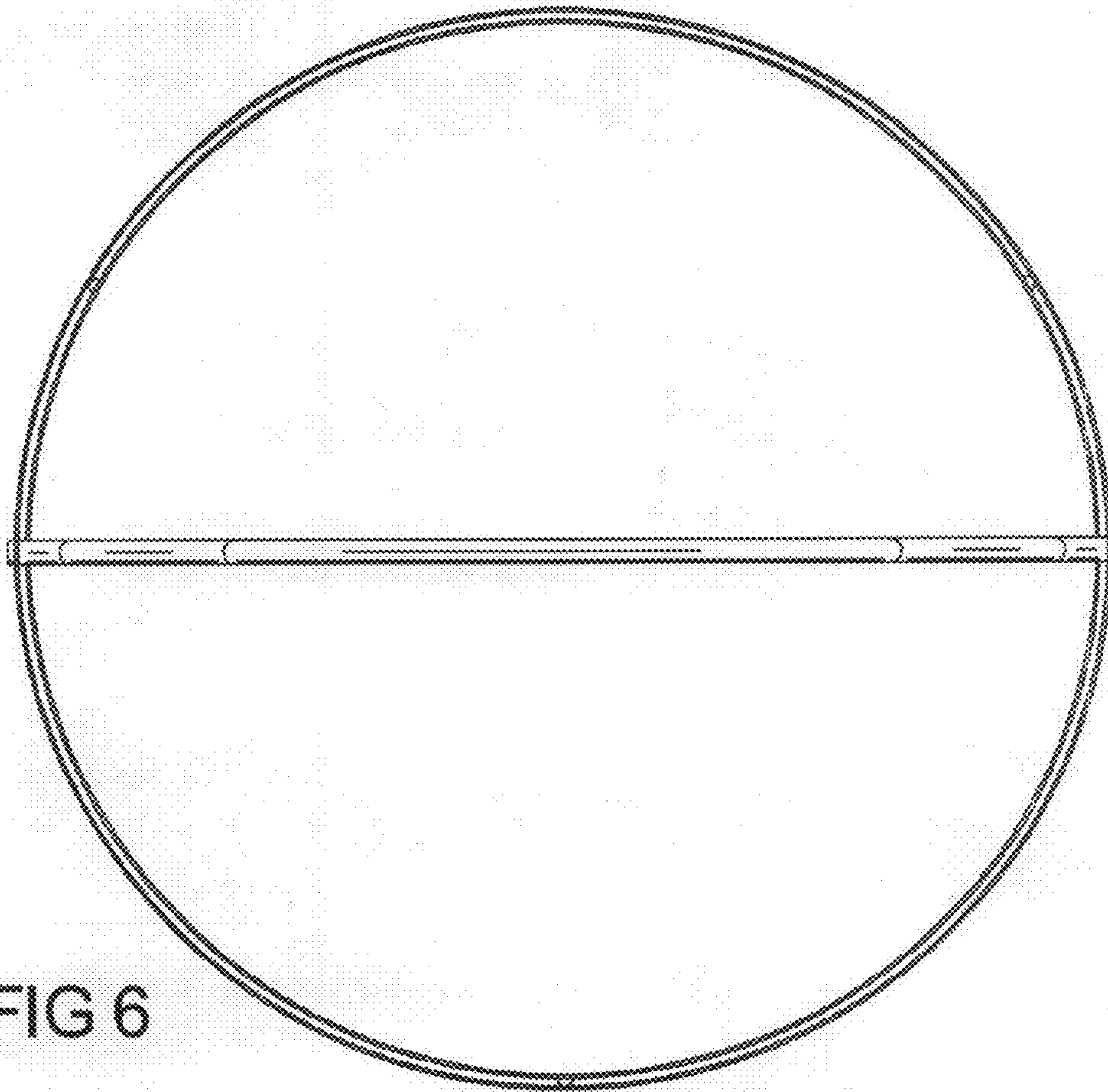


FIG 6



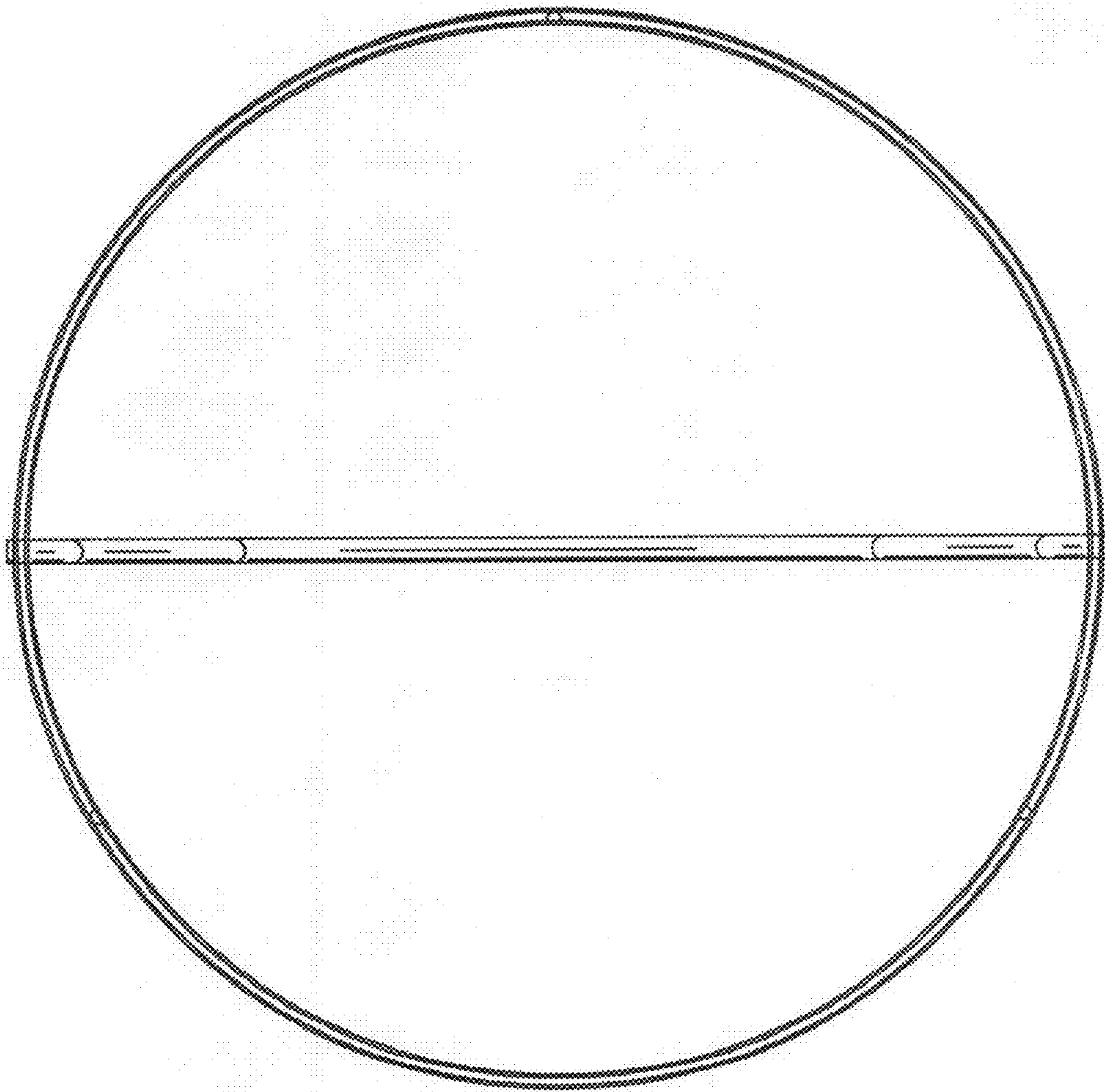


FIG 7

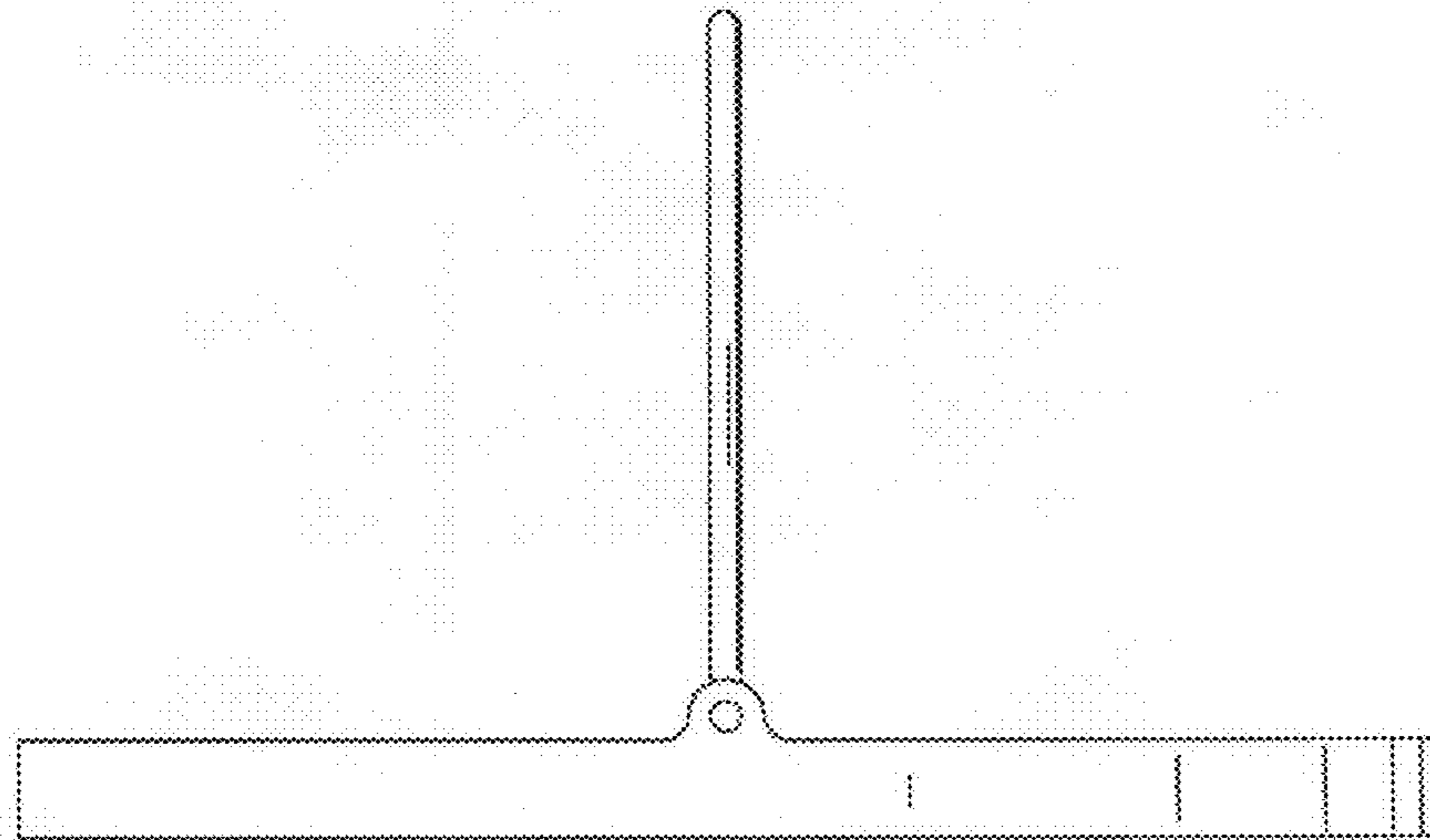
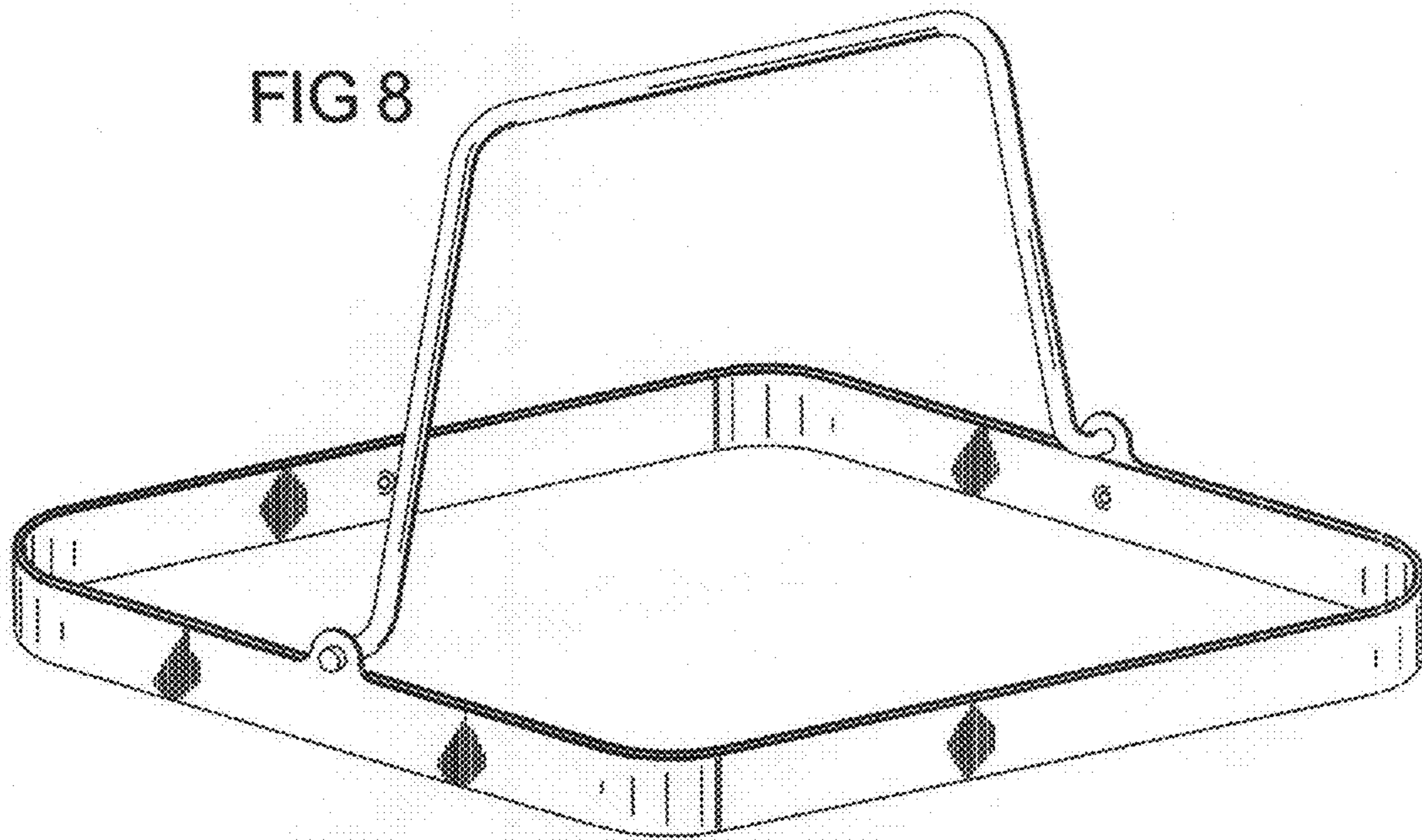


FIG 9

FIG 10

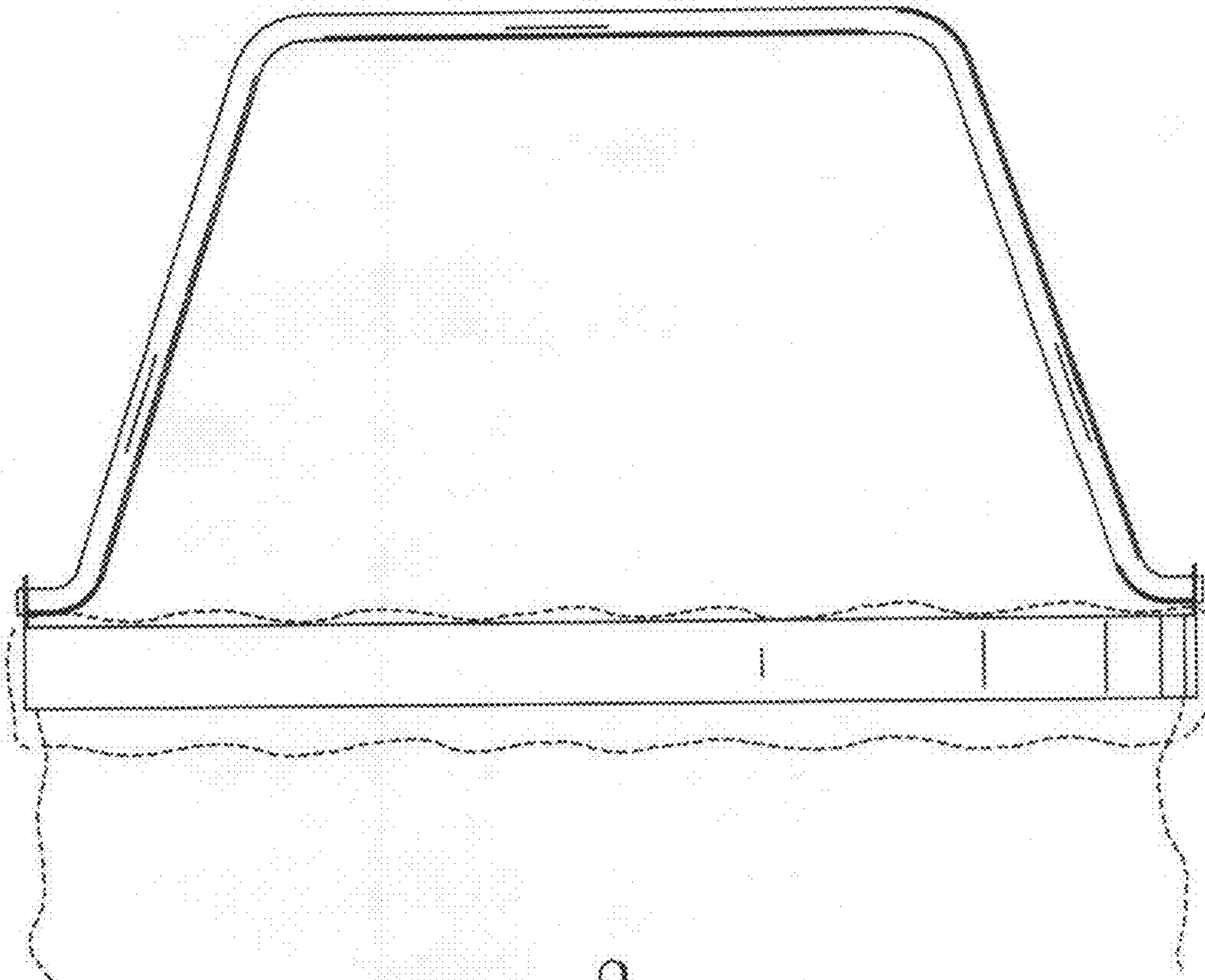


FIG 11

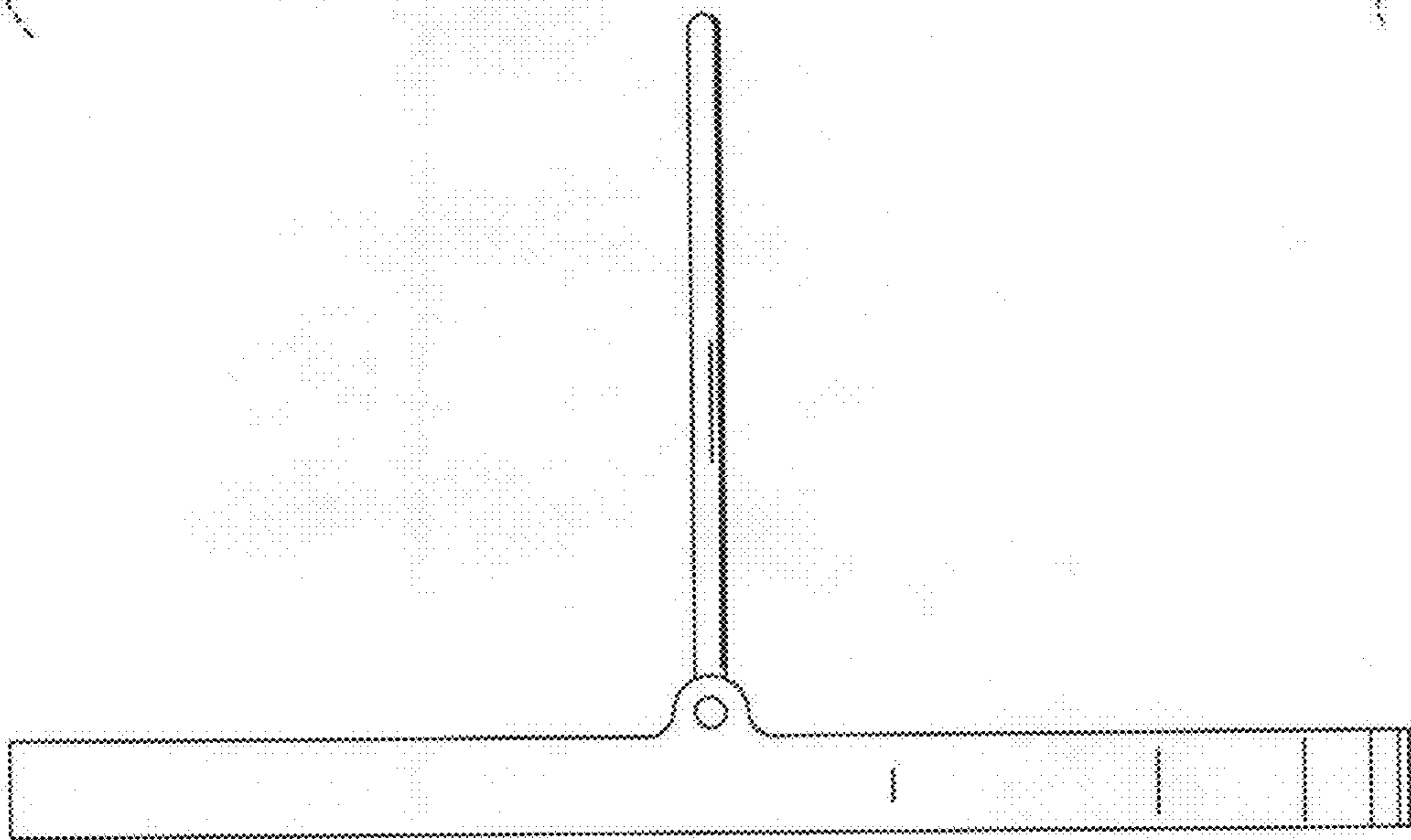


FIG 12

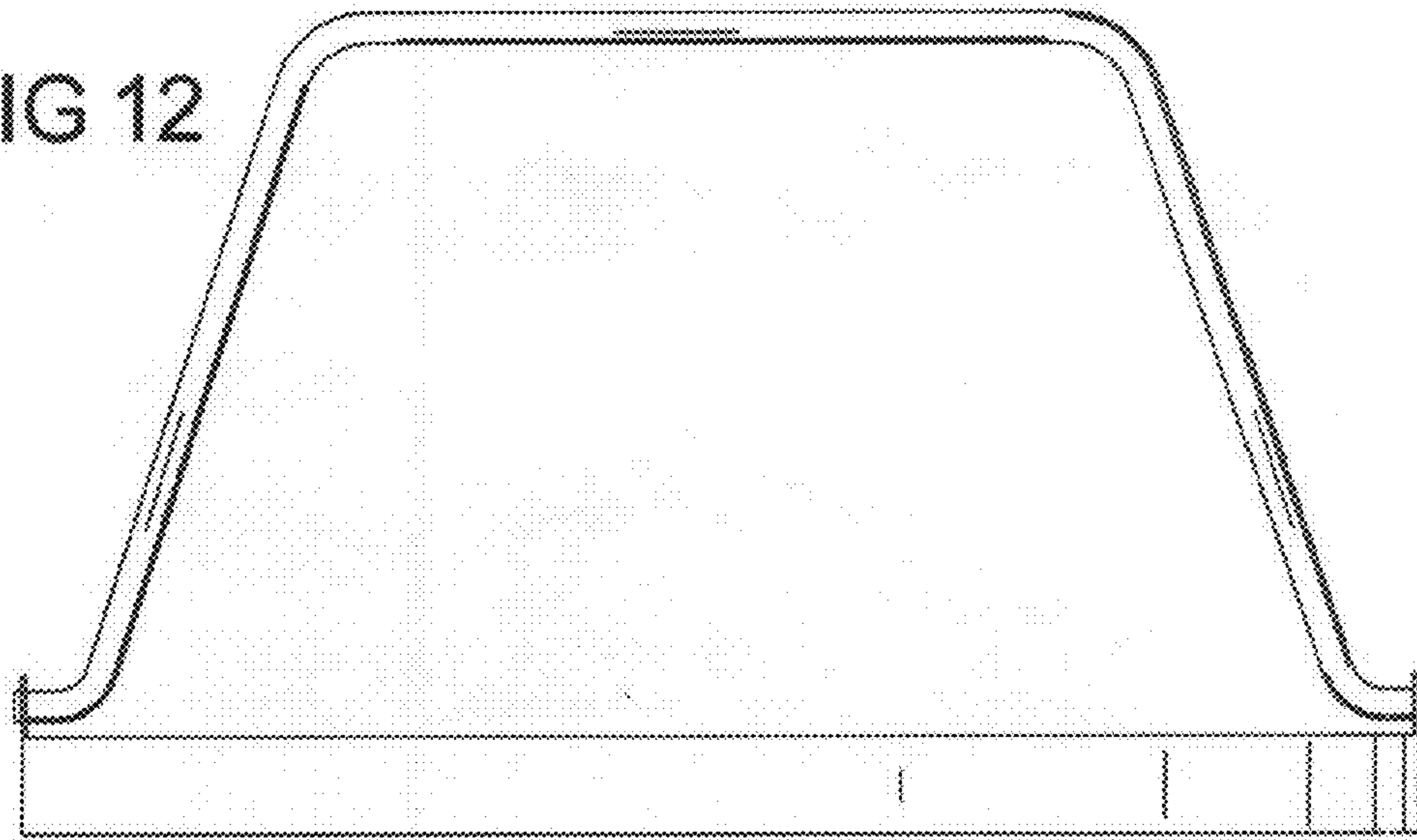
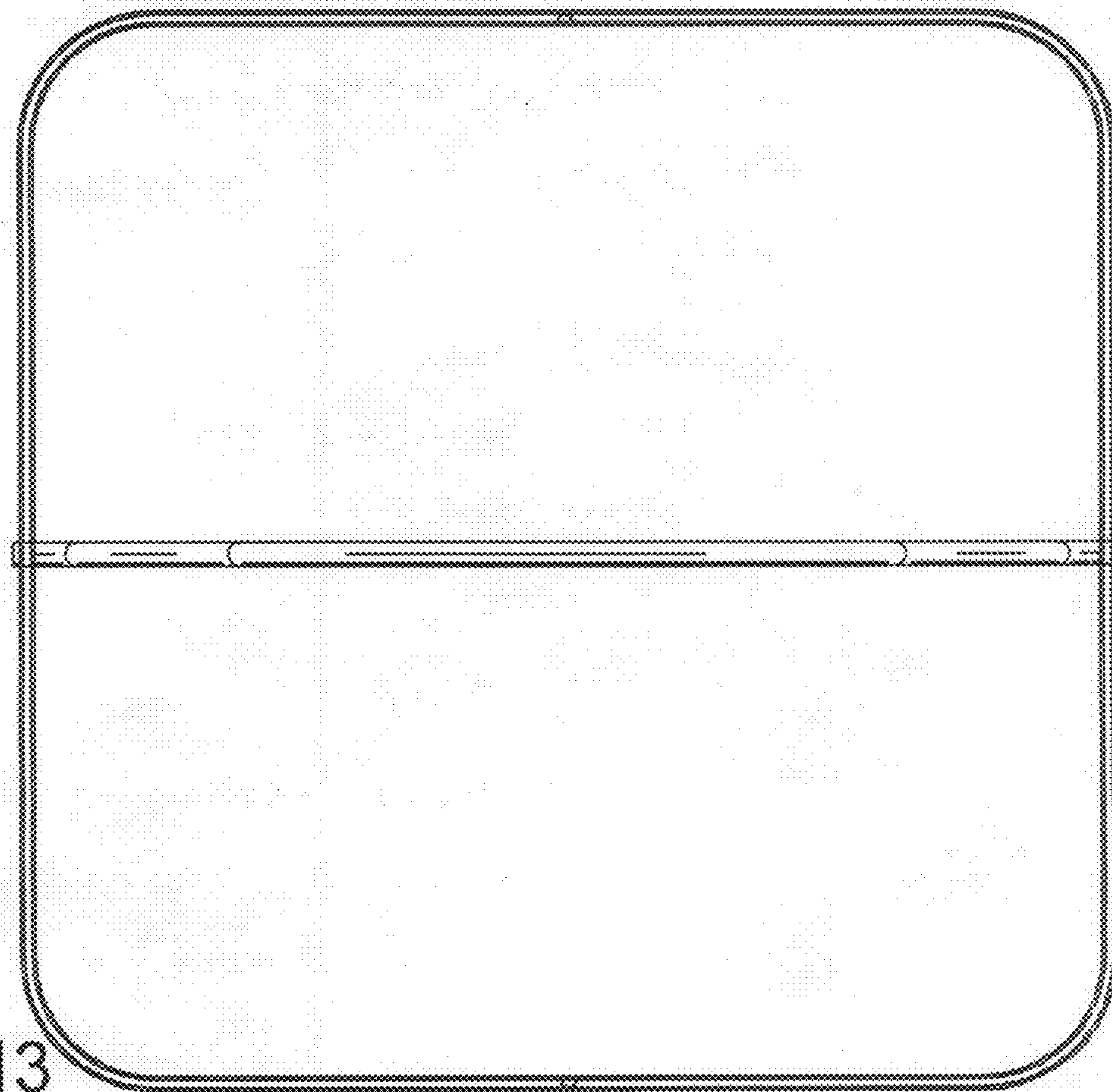


FIG 13



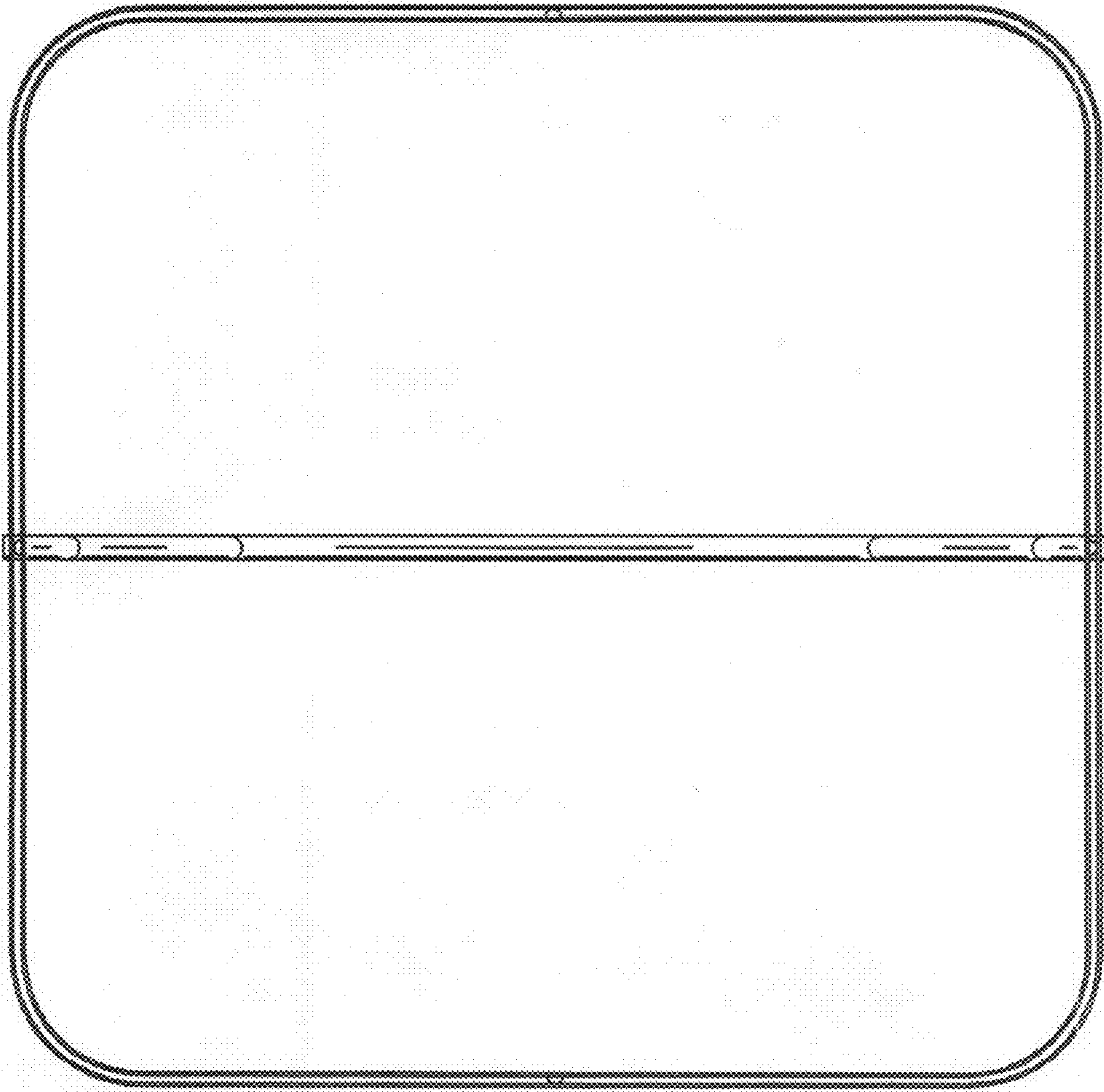


FIG 14