



US00D654644S

(12) **United States Design Patent**  
**Davidson**

(10) **Patent No.:** **US D654,644 S**

(45) **Date of Patent:** **\*\* Feb. 21, 2012**

(54) **PAINT TRAY LINER**

(75) Inventor: **Richard Davidson**, Beloeil (CA)

(73) Assignee: **Design Styletto inc.**, Beloeil QC (CA)

(\*\*) Term: **14 Years**

(21) Appl. No.: **29/391,221**

(22) Filed: **May 4, 2011**

(51) **LOC (9) Cl.** ..... **07-07**

(52) **U.S. Cl.** ..... **D32/54; D32/53.1**

(58) **Field of Classification Search** ..... D32/53,  
D32/53.1, 54; 15/257.06; 220/495.01, 495.02,  
220/570

See application file for complete search history.

(56) **References Cited**

**U.S. PATENT DOCUMENTS**

4,509,226	A	*	4/1985	Allison et al.	.....	15/257.06
D280,855	S	*	10/1985	Smith	.....	D32/53.1
D301,785	S	*	6/1989	Goetz	.....	D32/53.1
D328,808	S	*	8/1992	Goetz	.....	D32/53.1
D332,512	S	*	1/1993	Bernard	.....	D32/53.1
D569,567	S	*	5/2008	Kohn	.....	D32/53.1
D583,521	S	*	12/2008	Arvinte et al.	.....	D32/53.1
D586,056	S	*	2/2009	Shea	.....	D32/53.1

D586,515	S	*	2/2009	Arvinte et al.	.....	D32/53.1
D586,516	S	*	2/2009	Moon	.....	D32/53.1
D601,768	S	*	10/2009	Moon	.....	D32/53.1
D602,220	S	*	10/2009	Wallace	.....	D32/53.1
D603,571	S	*	11/2009	Drummond	.....	D32/53.1
D627,120	S	*	11/2010	Davidson	.....	D32/54

\* cited by examiner

*Primary Examiner* — Robin V Webster

(74) *Attorney, Agent, or Firm* — Benoît & Côté

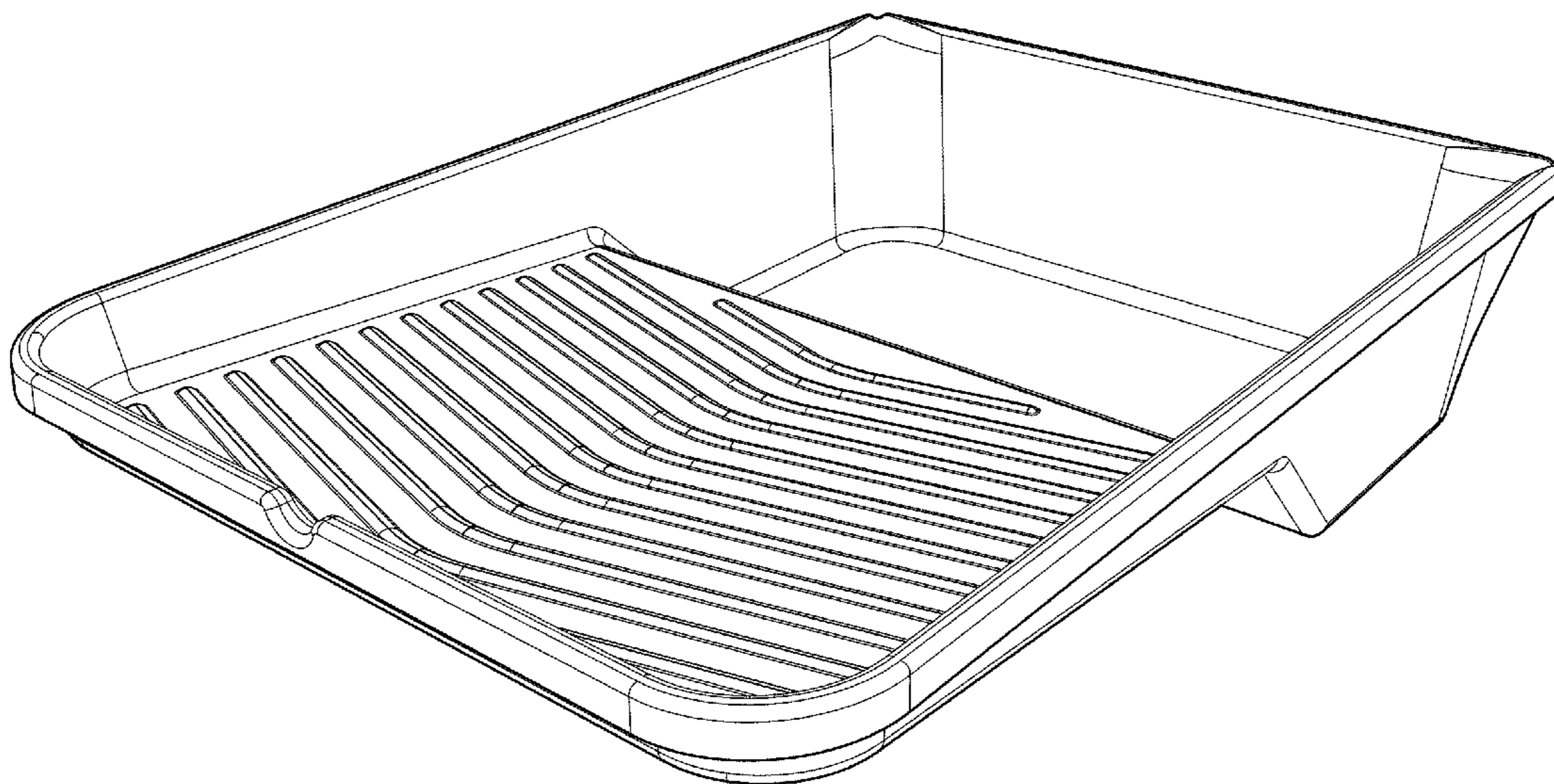
(57) **CLAIM**

The ornamental design for a paint tray liner, as shown and described.

**DESCRIPTION**

FIG. 1 is a top, front and left side perspective view of the paint tray liner in accordance with the present design;  
 FIG. 2 is a bottom, rear and right side perspective view of the present design;  
 FIG. 3 is a top plan view of the present design;  
 FIG. 4 is front elevational view of the present design;  
 FIG. 5 is rear elevational view of the present design;  
 FIG. 6 is a bottom plan view of the present design; and,  
 FIG. 7 is a right side elevational view of the present design, the left side elevational view being a mirror image thereof.

**1 Claim, 6 Drawing Sheets**



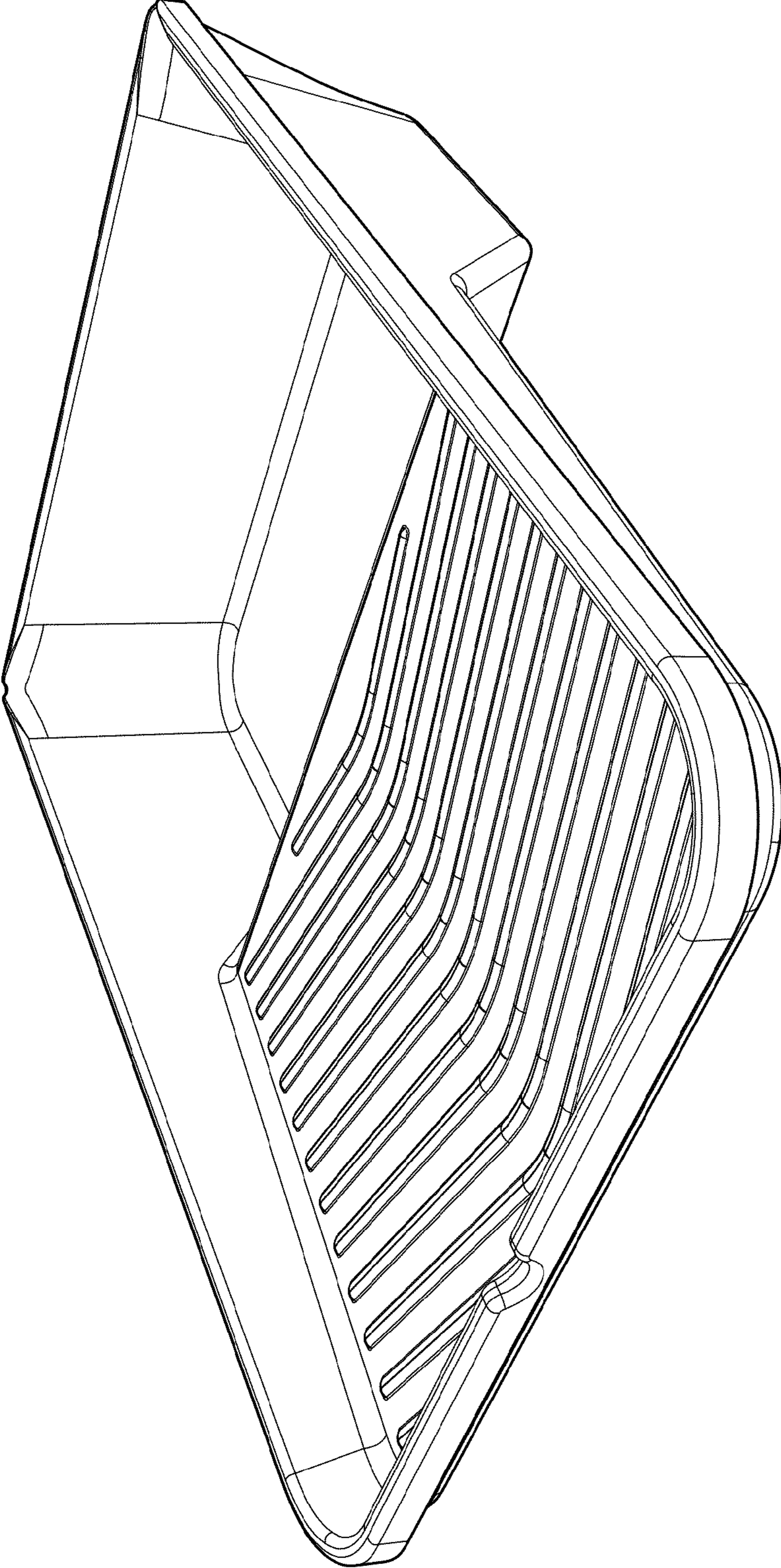


FIG.1

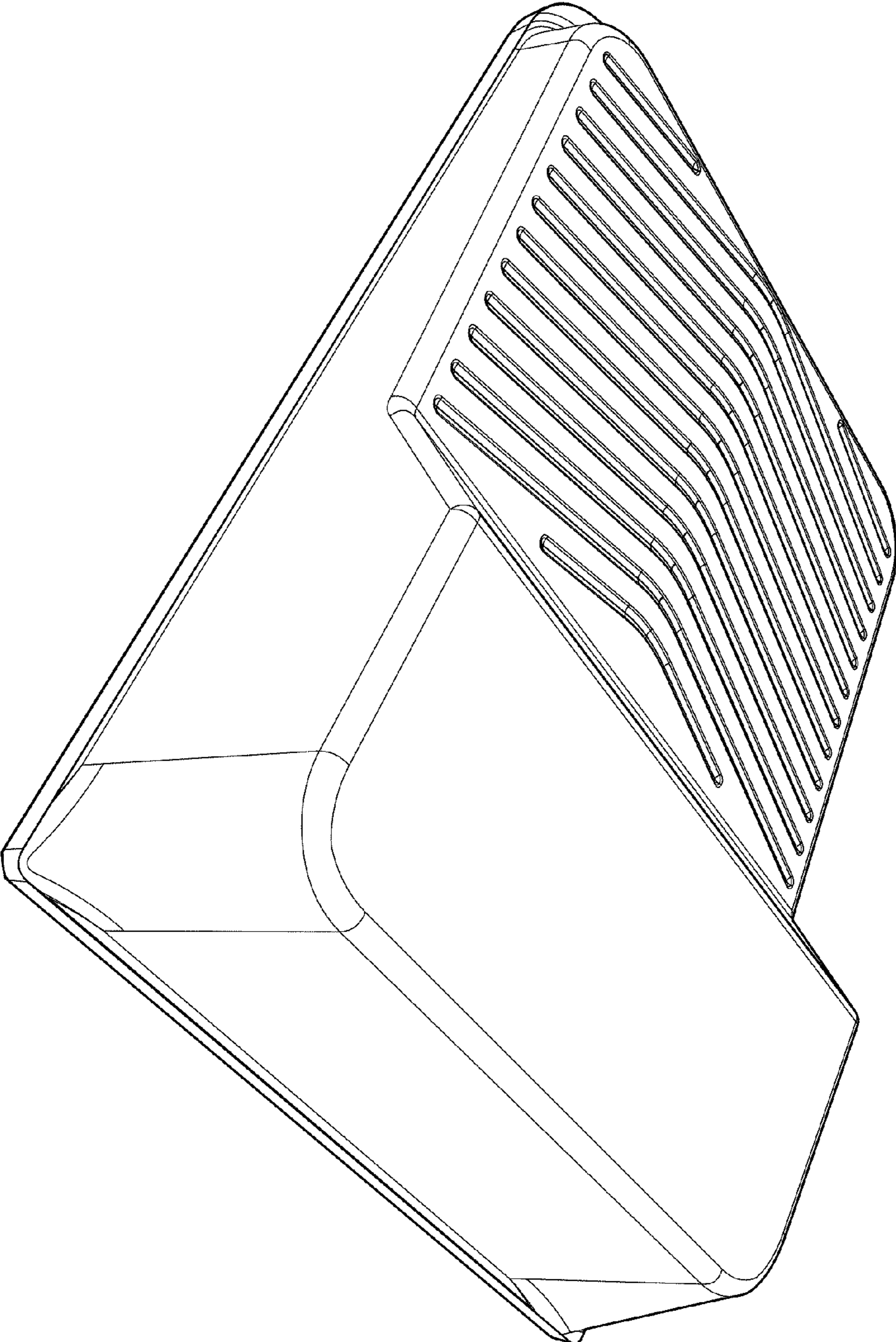


FIG. 2

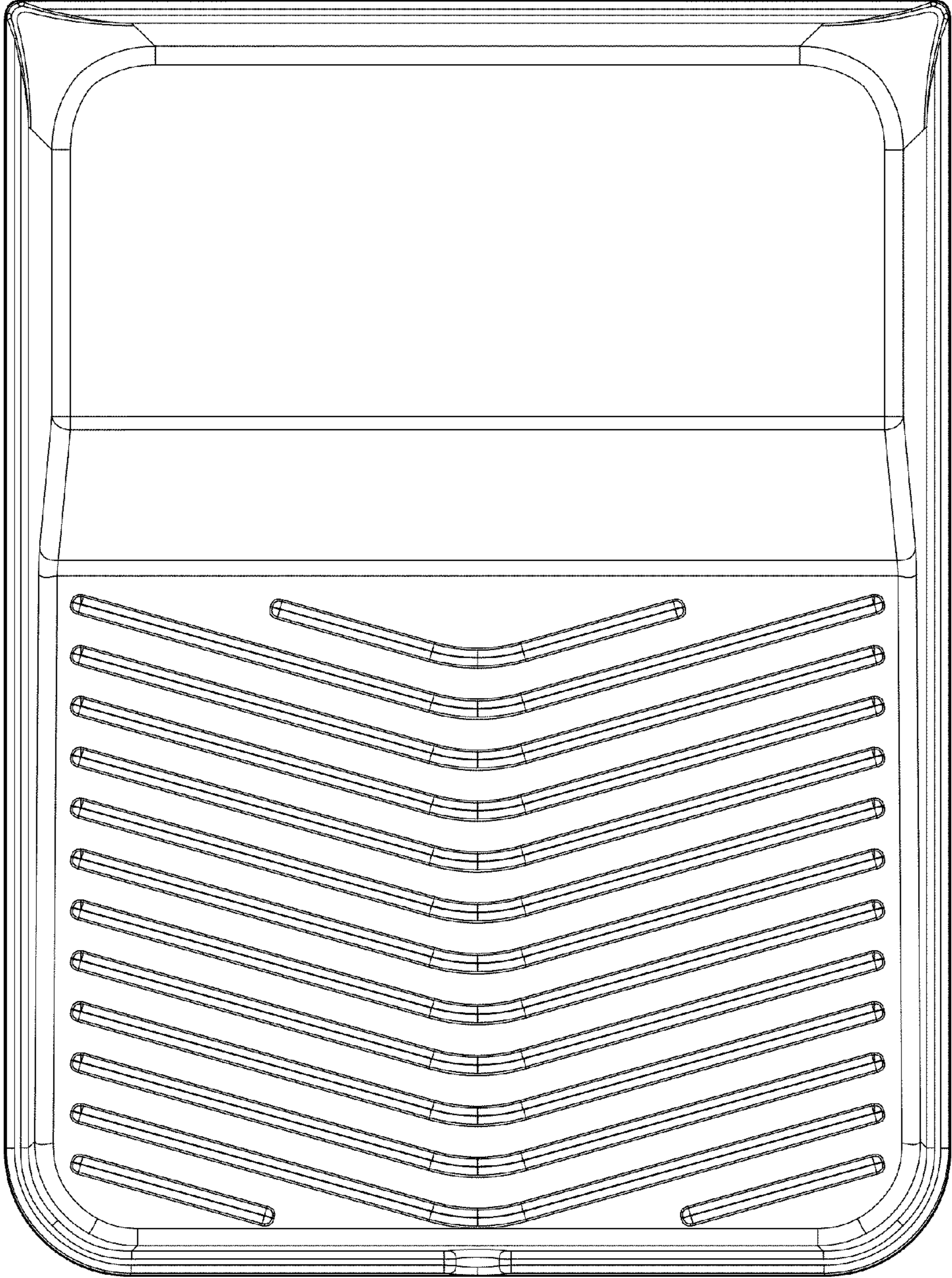


FIG.3

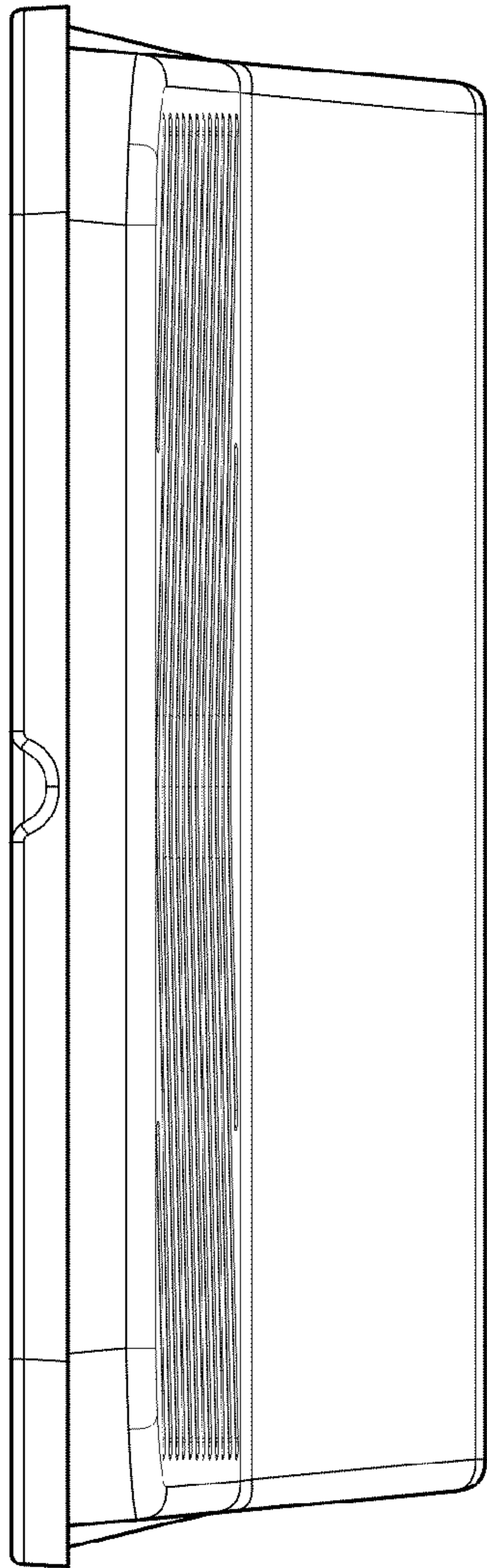


FIG. 4

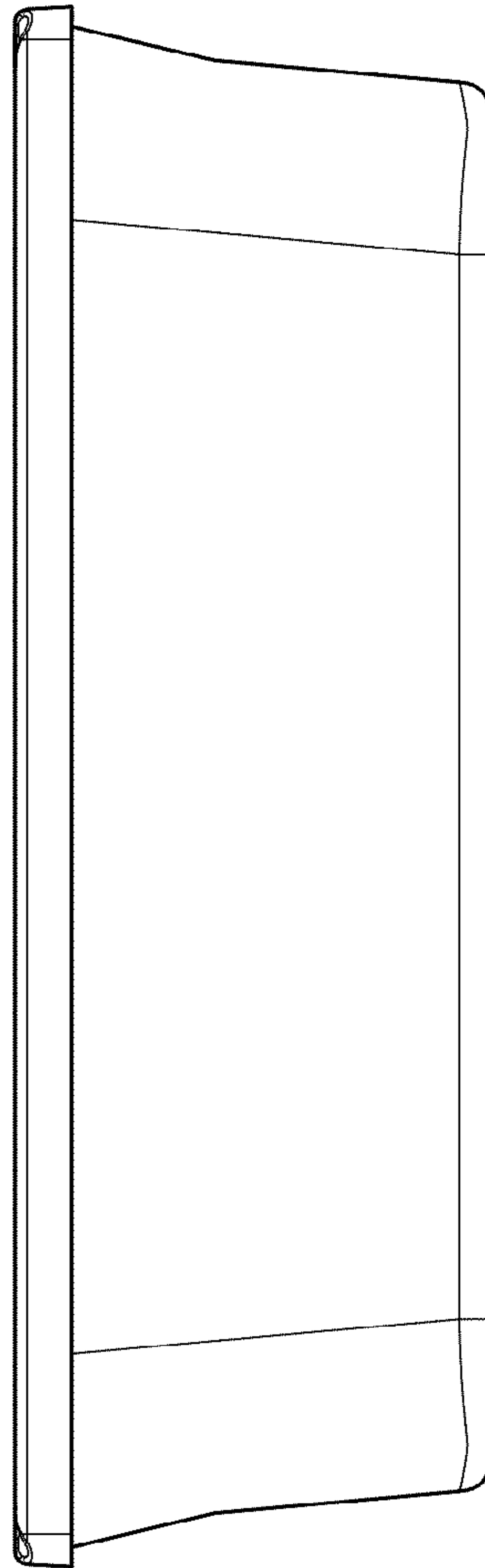


FIG. 5

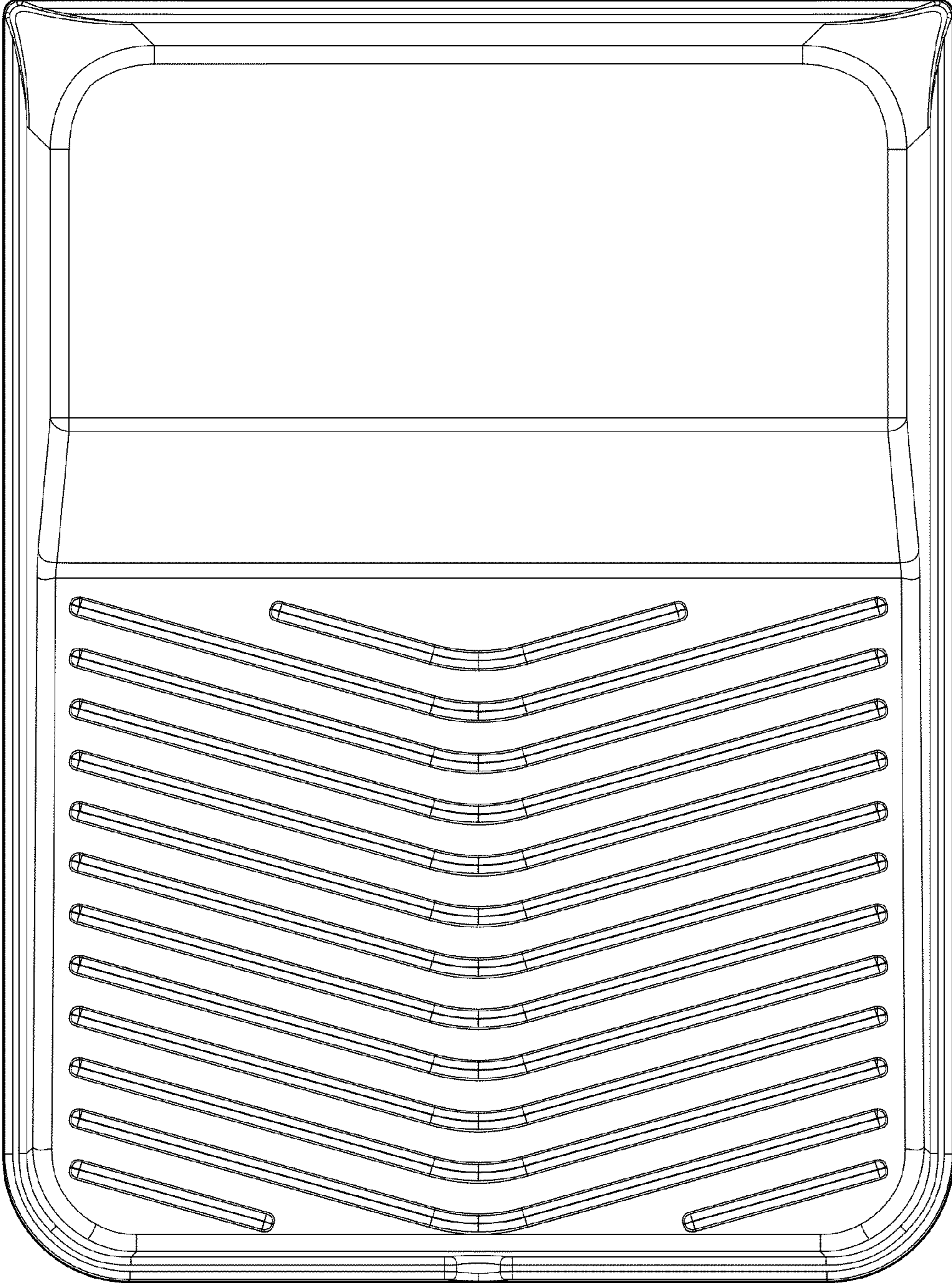


FIG.6

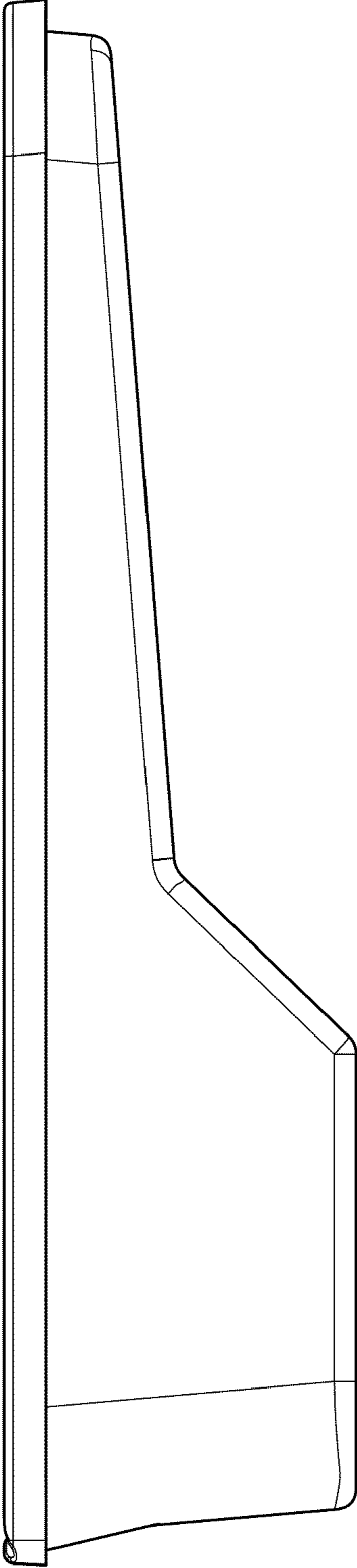


FIG.7