



US00D654643S

(12) **United States Design Patent**
Preda

(10) **Patent No.:** **US D654,643 S**
(45) **Date of Patent:** **** Feb. 21, 2012**

(54) **LINT TRAP RECTANGULAR CONTAINER**

(75) Inventor: **George Preda**, Kent, WA (US)

(73) Assignee: **George Preda**, Kent, WA (US)

(**) Term: **14 Years**

(21) Appl. No.: **29/374,005**

(22) Filed: **Jun. 20, 2011**

(51) **LOC (9) Cl.** **15-05**

(52) **U.S. Cl.** **D32/25**

(58) **Field of Classification Search** D32/1,
D32/25, 53; D23/209, 261; 34/79, 82, 86,
34/235; 55/319, 482; D7/610, 615

See application file for complete search history.

(56) **References Cited**

U.S. PATENT DOCUMENTS

D196,292	S *	9/1963	Dumit	D32/53
3,487,624	A *	1/1970	Tignanelli	55/482
3,756,451	A *	9/1973	Popeil	220/736
D236,578	S *	9/1975	Powell	D32/53
3,999,304	A *	12/1976	Doty	34/82
4,137,647	A *	2/1979	Clark, Jr.	34/82
4,338,731	A *	7/1982	Shames et al.	34/82
4,498,247	A *	2/1985	Benevento	34/82
4,561,868	A *	12/1985	von Reis et al.	55/319
4,616,762	A *	10/1986	Alexander	220/658
D355,287	S *	2/1995	Camp, Jr.	D32/53.1
D361,183	S *	8/1995	Pilney	D32/53
5,628,122	A *	5/1997	Spinardi	34/79
5,675,908	A *	10/1997	Barnes	34/235
D447,996	S *	9/2001	Belinky et al.	D12/406
D467,397	S *	12/2002	McCoy et al.	D32/53

6,671,977	B2 *	1/2004	Beaumont	34/79
6,997,966	B2 *	2/2006	Iantorno	55/385.1
D546,012	S *	7/2007	Casteel et al.	D32/53
D614,374	S *	4/2010	Anderson	D32/53
D634,904	S *	3/2011	Preda	D32/25
2005/0160708	A1 *	7/2005	Iantorno	55/482
2007/0101603	A1 *	5/2007	Beaumont	34/85

* cited by examiner

Primary Examiner — T. Chase Nelson
Assistant Examiner — Kathleen M Sims

(57) **CLAIM**

The ornamental design for a lint trap rectangular container, as shown and described.

DESCRIPTION

FIG. 1 is an upper perspective view of the lint trap rectangular container showing my design;
FIG. 2 is an end view thereof;
FIG. 3 is a side view thereof, the opposite side being a mirror image thereof;
FIG. 4 is an opposite end view thereof;
FIG. 5 is a top plan view thereof;
FIG. 6 is a bottom plan view thereof; and,
FIG. 7 is a cross-section view of FIG. 2, taken along line 7-7, thereof.

The broken lines showing of liquid in FIG. 7 is included for illustrating the environmental matter of the lint trap rectangular container, and forms no part of the claimed design.
The following article can be installed between the clothes dryer and the exhaust vent to separate, and retain the lint from a stream of hot air emanating from clothes dryer.

1 Claim, 5 Drawing Sheets

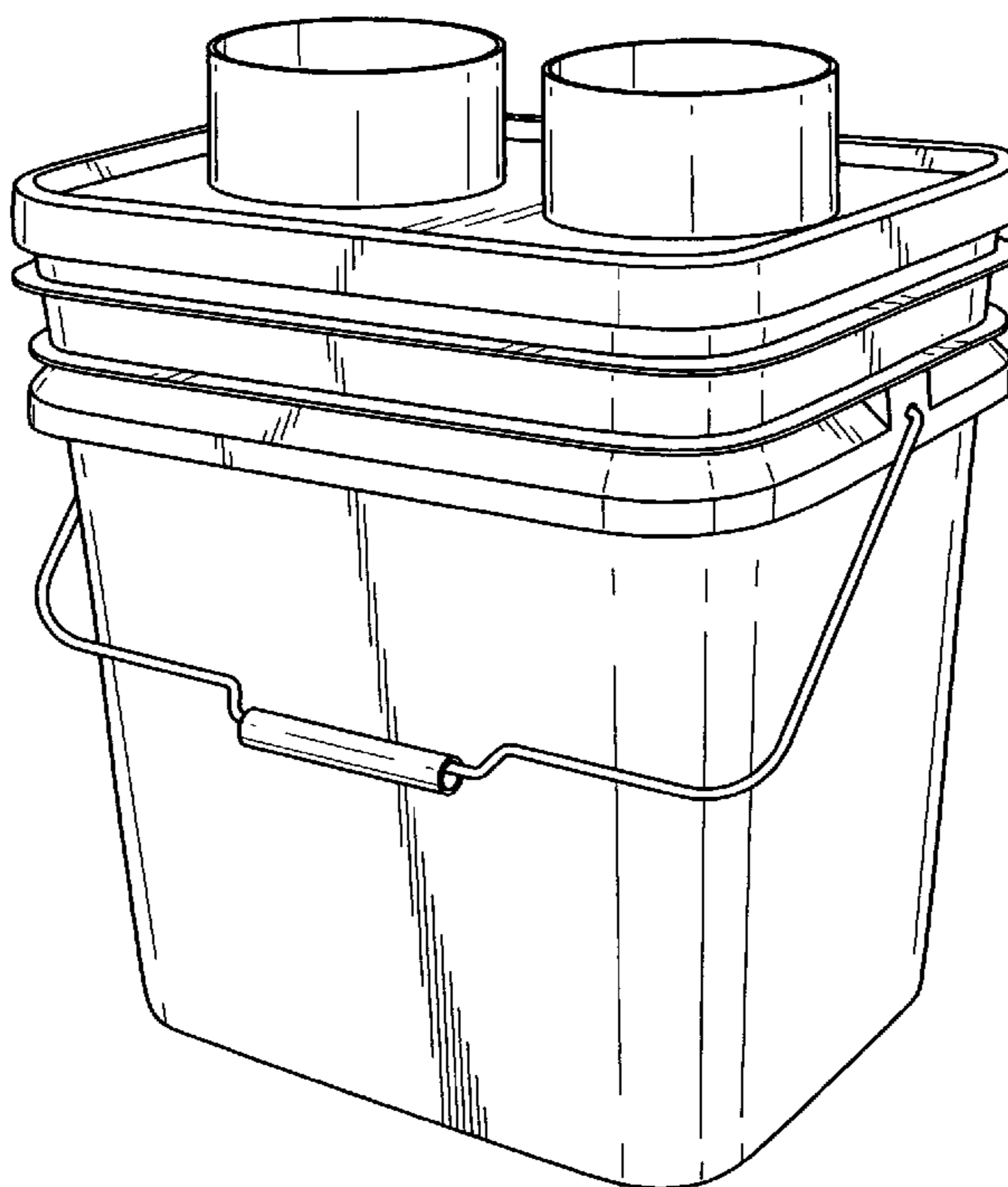


FIG. 1

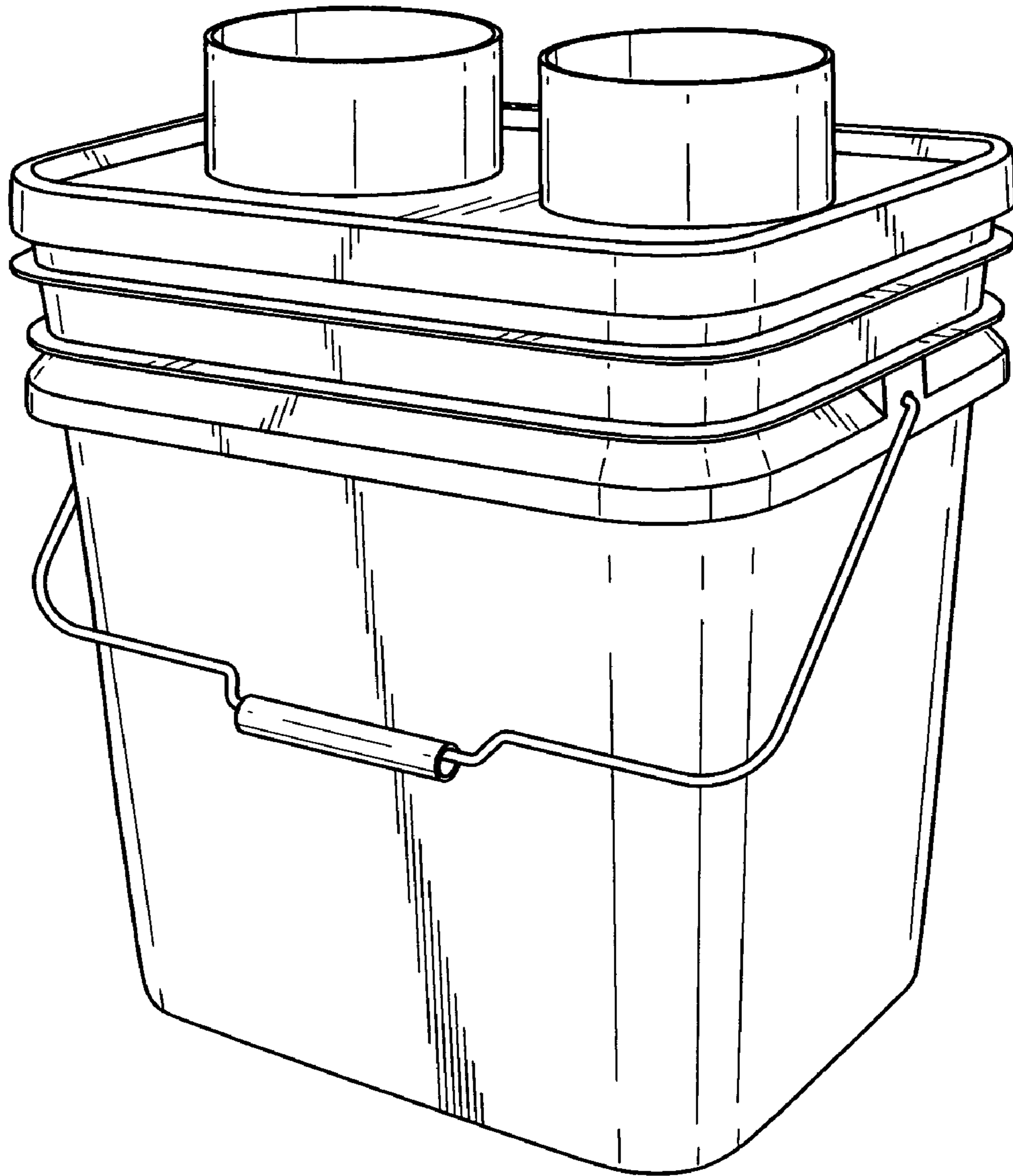


FIG. 2

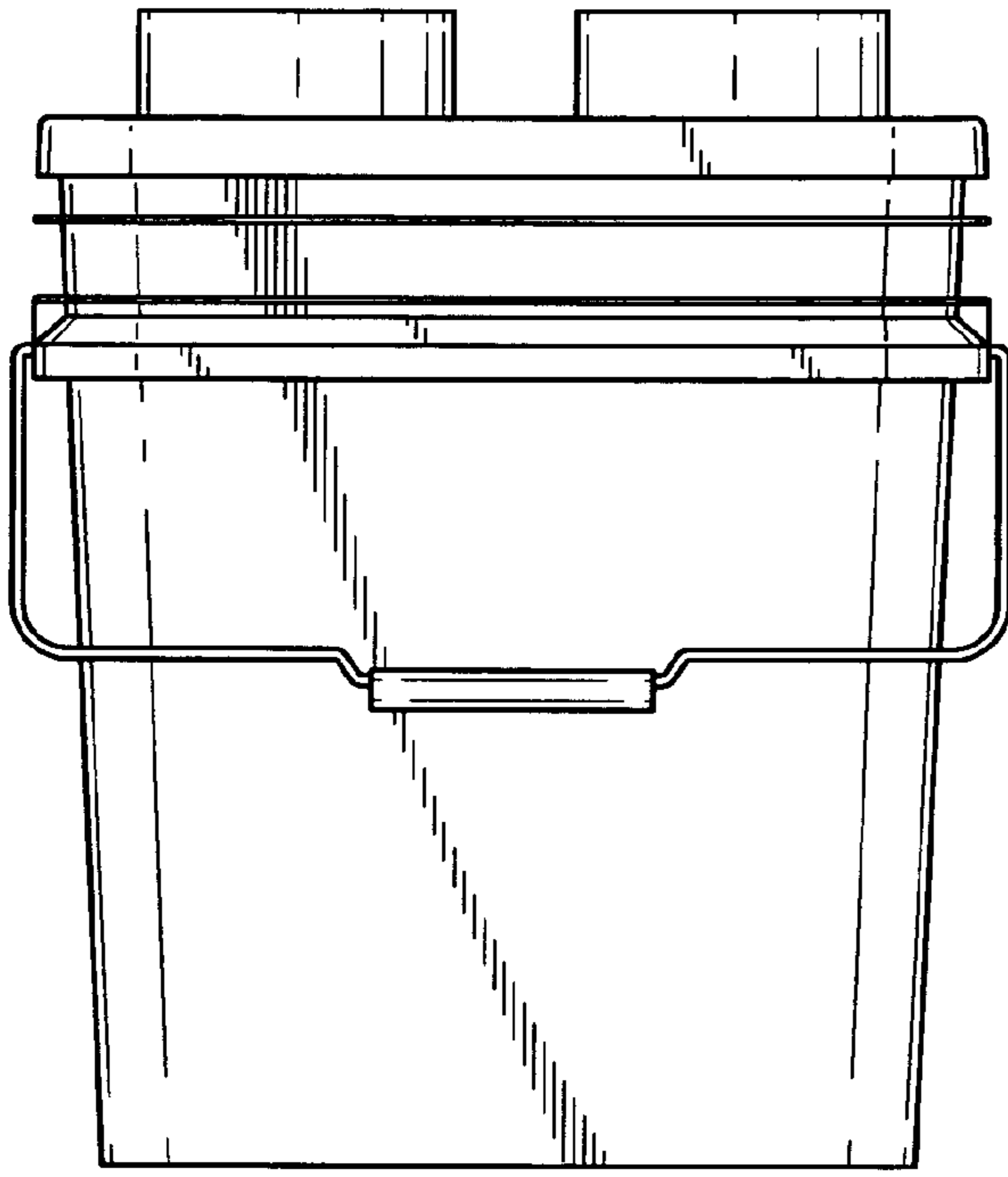


FIG. 3

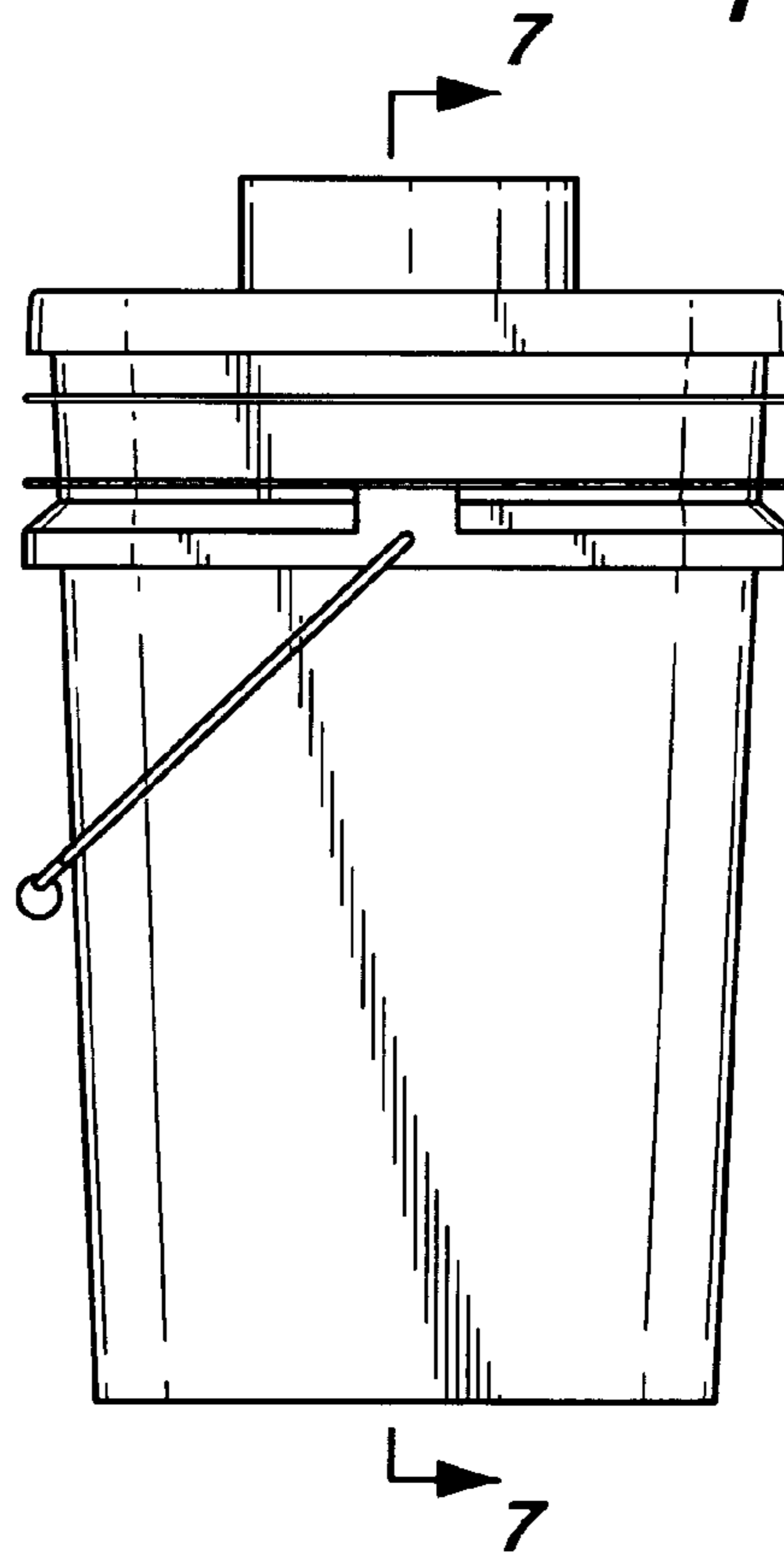


FIG. 4

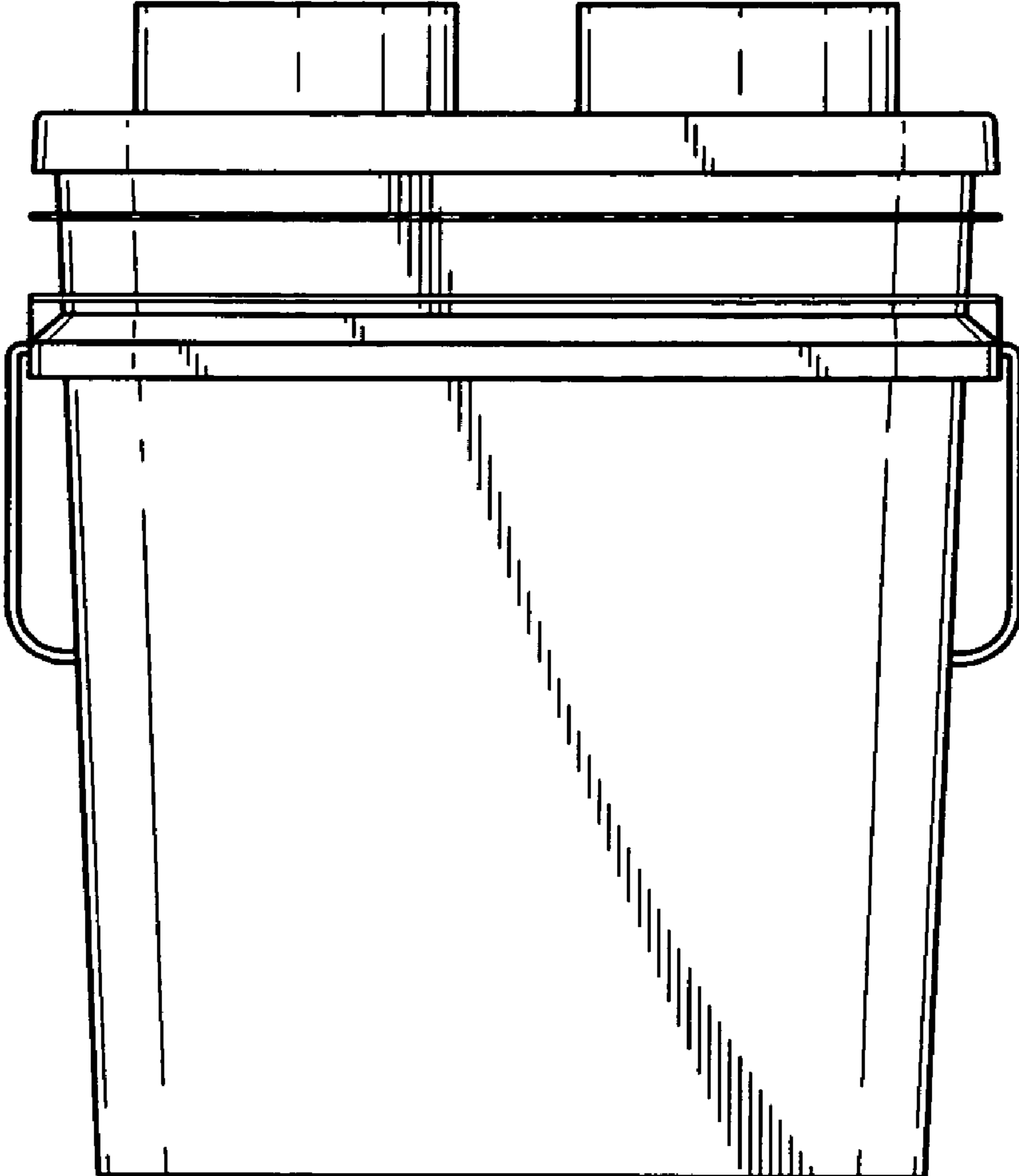


FIG. 5

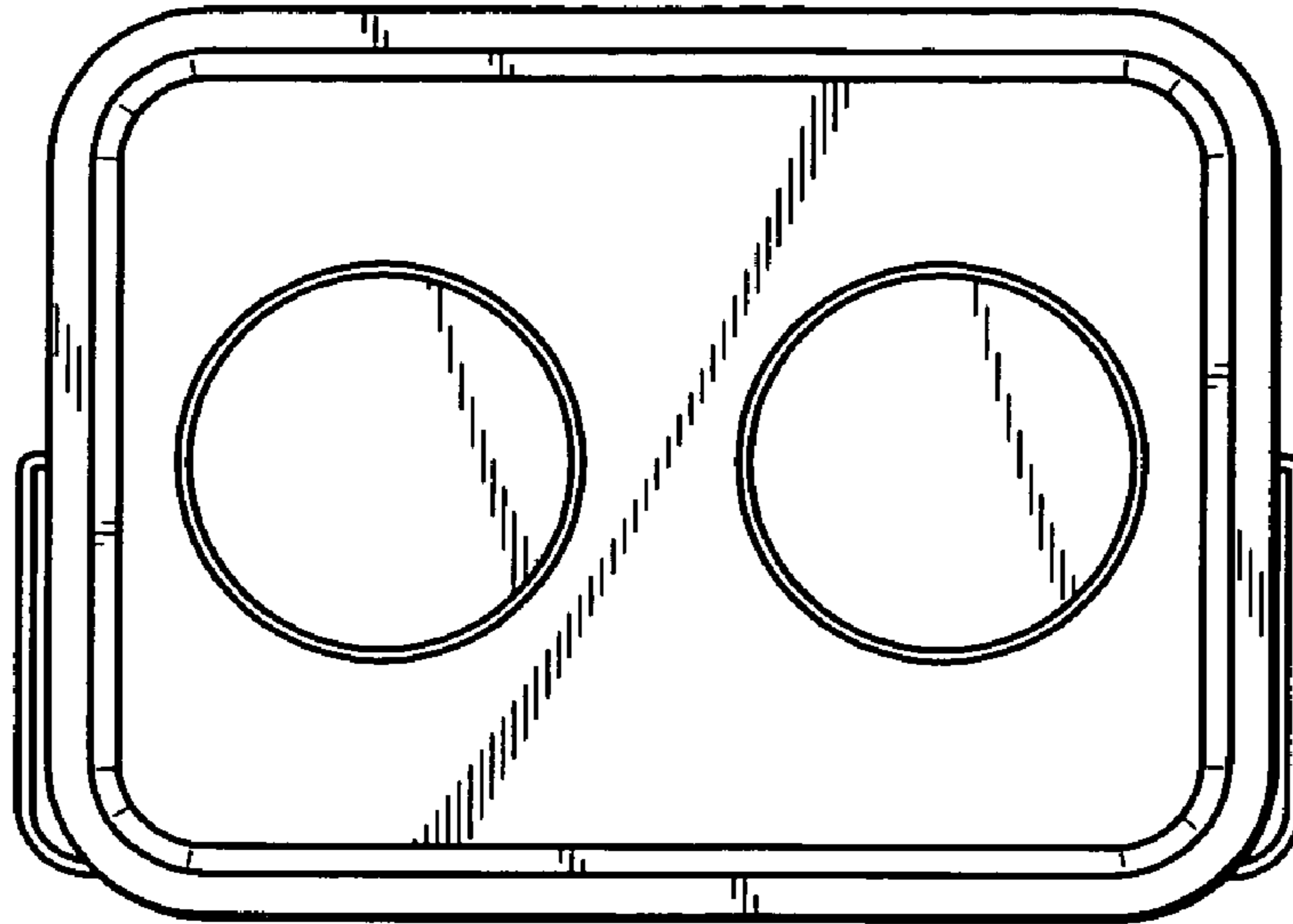


FIG. 6

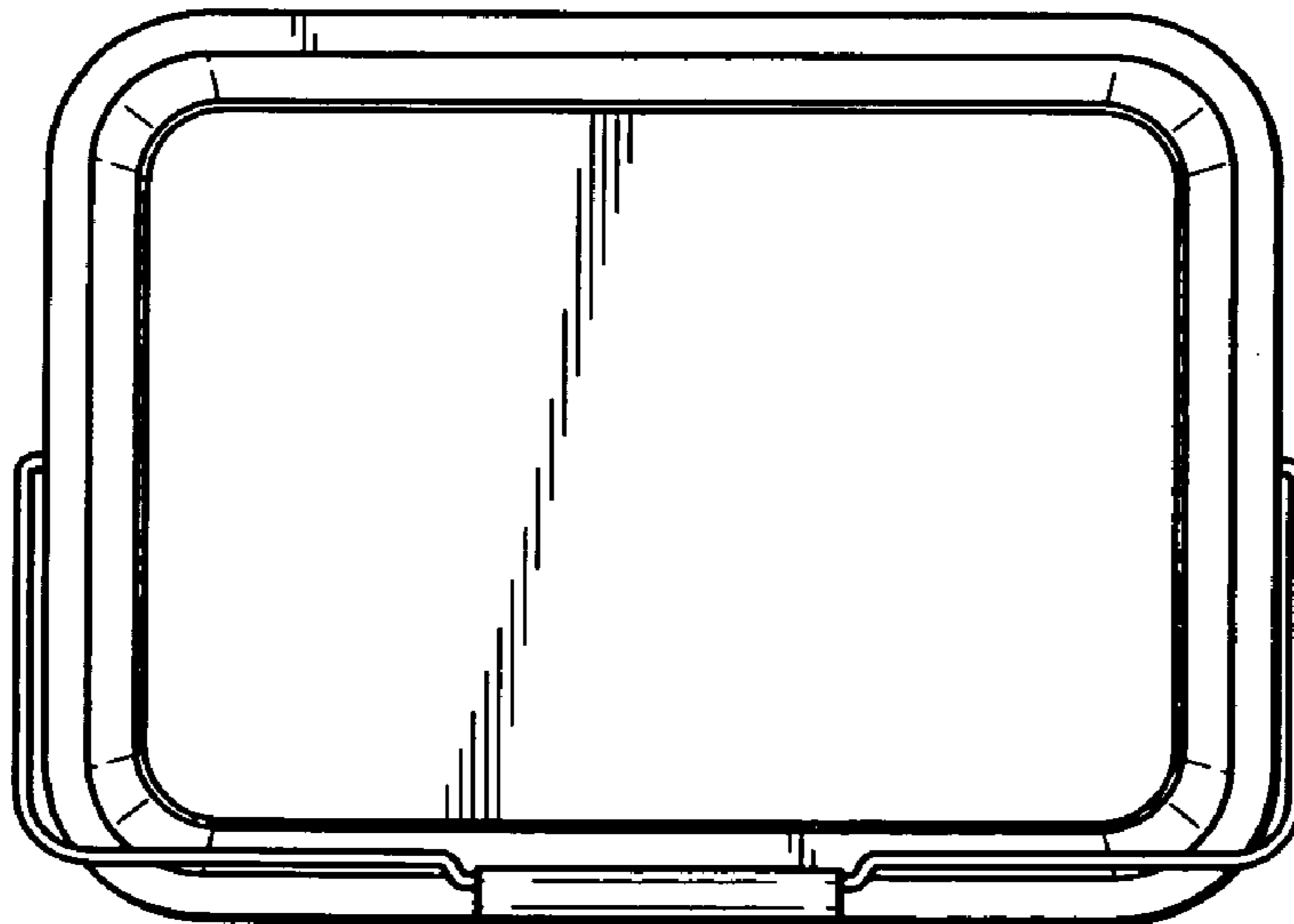


FIG. 7

