



US00D654642S

(12) **United States Design Patent**
Preda

(10) **Patent No.:** **US D654,642 S**

(45) **Date of Patent:** **** Feb. 21, 2012**

(54) **LINT TRAP OVAL CONTAINER**

(75) **Inventor:** **George Preda, Kent, WA (US)**

(73) **Assignee:** **George Preda, Kent, WA (US)**

(**) **Term:** **14 Years**

(21) **Appl. No.:** **29/374,004**

(22) **Filed:** **Jun. 20, 2011**

(51) **LOC (9) Cl.** **15-05**

(52) **U.S. Cl.** **D32/25**

(58) **Field of Classification Search** D32/1,
D32/25, 53; D23/209, 261; 34/79, 82, 86,
34/235; 55/319, 482; D7/610, 615

See application file for complete search history.

(56) **References Cited**

U.S. PATENT DOCUMENTS

D26,849	S	*	3/1897	Bell	D32/53
D73,649	S	*	10/1927	Eiffe	D32/53
1,722,130	A	*	7/1929	Finstad	15/263
D154,226	S	*	6/1949	Ackerman	D32/53
3,487,624	A	*	1/1970	Tignanelli	55/482
3,999,304	A	*	12/1976	Doty	34/82
4,137,647	A	*	2/1979	Clark, Jr.	34/82
4,338,731	A	*	7/1982	Shames et al.	34/82
4,498,247	A	*	2/1985	Benevento	34/82
D280,058	S	*	8/1985	Carlson	D7/629
4,561,868	A	*	12/1985	von Reis et al.	55/319
D346,720	S	*	5/1994	Onneweer	D7/629
D355,736	S	*	2/1995	Licari	D32/53
5,628,122	A	*	5/1997	Spinardi	34/79
5,675,908	A	*	10/1997	Barnes	34/235

D425,277	S	*	5/2000	Kent	D32/53
D450,926	S	*	11/2001	Dickinson et al.	D3/304
D462,491	S	*	9/2002	Hauenstein	D32/53
D473,140	S	*	4/2003	Gilliam et al.	D9/428
6,671,977	B2	*	1/2004	Beaumont	34/79
6,997,966	B2	*	2/2006	Iantorno	55/385.1
D632,446	S	*	2/2011	Tseng	D32/53
D634,904	S	*	3/2011	Preda	D32/25
2005/0160708	A1	*	7/2005	Iantorno	55/482
2007/0101603	A1	*	5/2007	Beaumont	34/85

* cited by examiner

Primary Examiner — T. Chase Nelson

Assistant Examiner — Kathleen M Sims

(57) **CLAIM**

The ornamental design for a lint trap oval container, as shown and described.

DESCRIPTION

FIG. 1 is an upper perspective view of the lint trap oval container showing my design;

FIG. 2 is an end view thereof;

FIG. 3 is a side view thereof, the opposite side being a mirror image thereof;

FIG. 4 is an opposite end view thereof;

FIG. 5 is a top plan view thereof;

FIG. 6 is a bottom plan view thereof; and,

FIG. 7 is a cross-section view of FIG. 2, taken along line 7-7, thereof.

The broken lines showing of liquid in FIG. 7 is included for illustrating the environmental matter of the lint trap oval container, and forms no part of the claimed design.

1 Claim, 5 Drawing Sheets

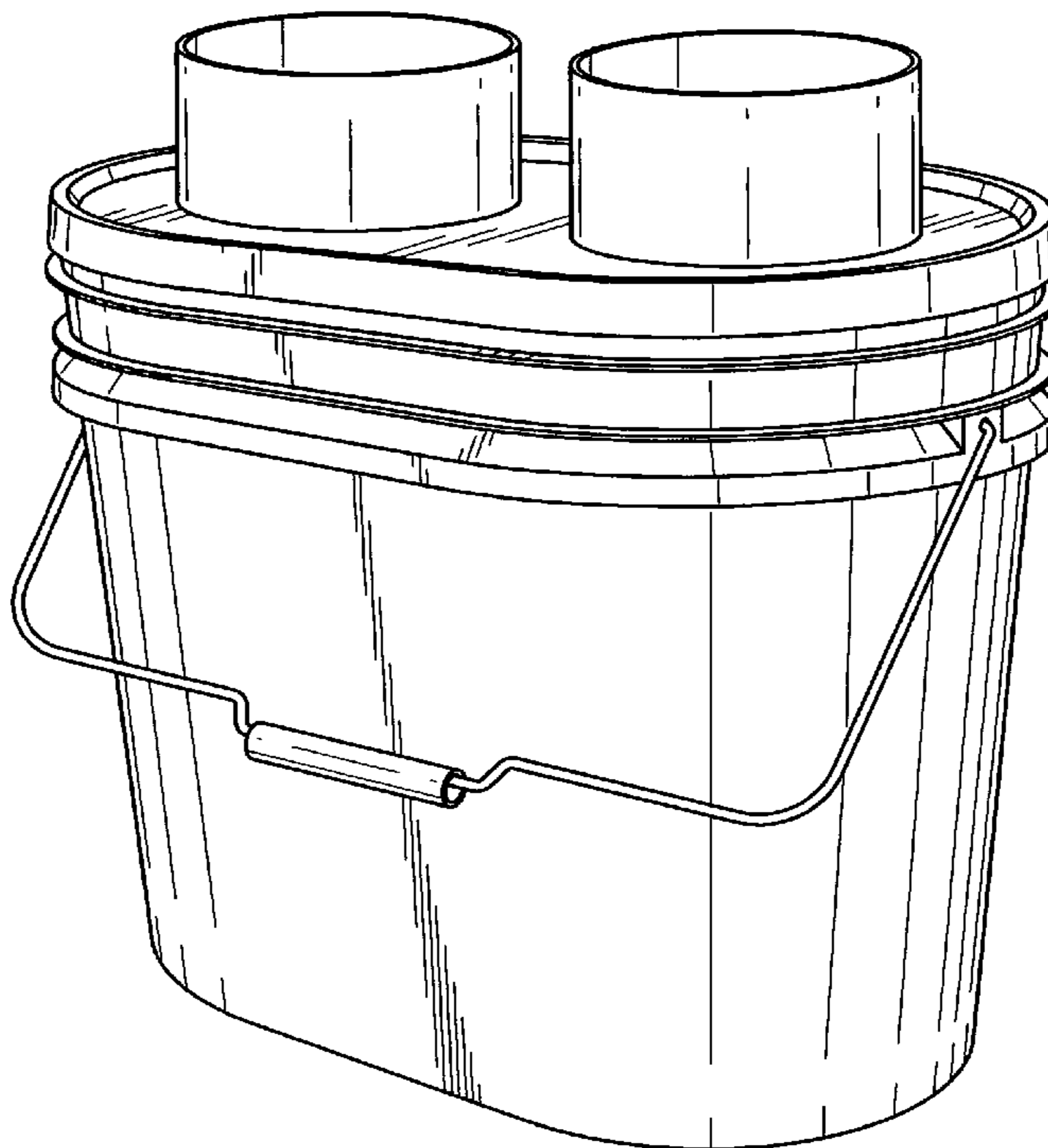


FIG. 1

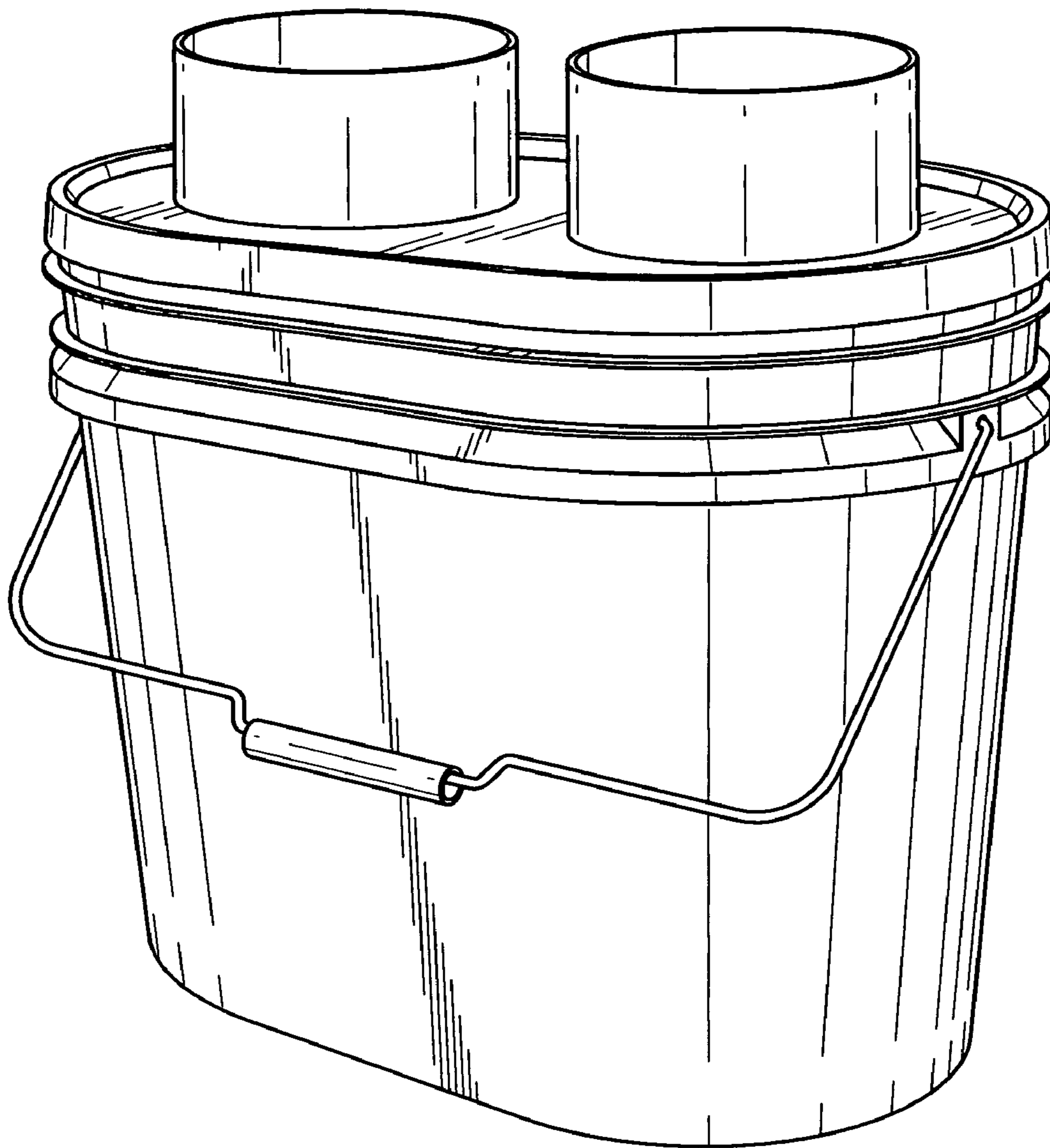


FIG. 2

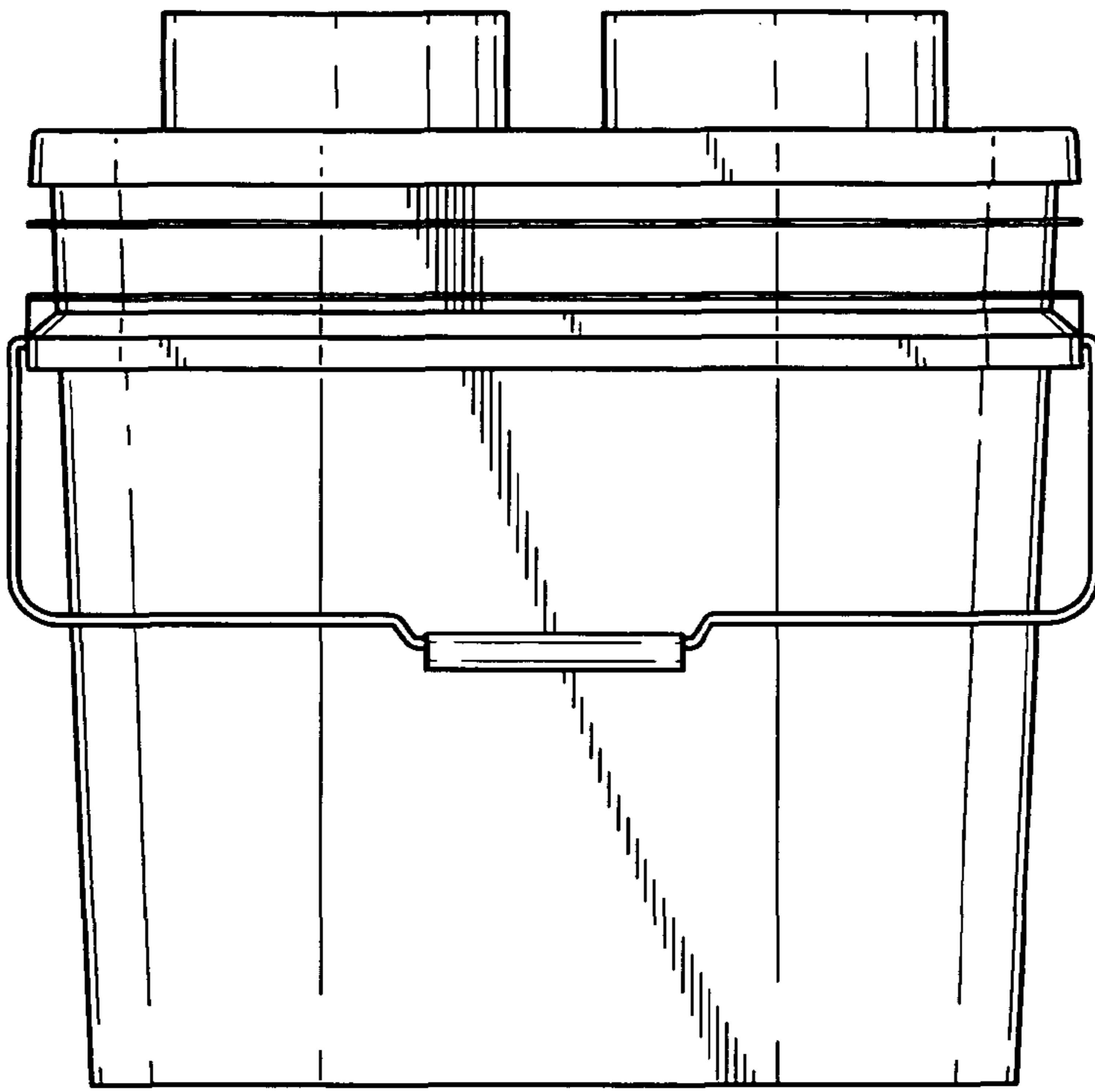


FIG. 3

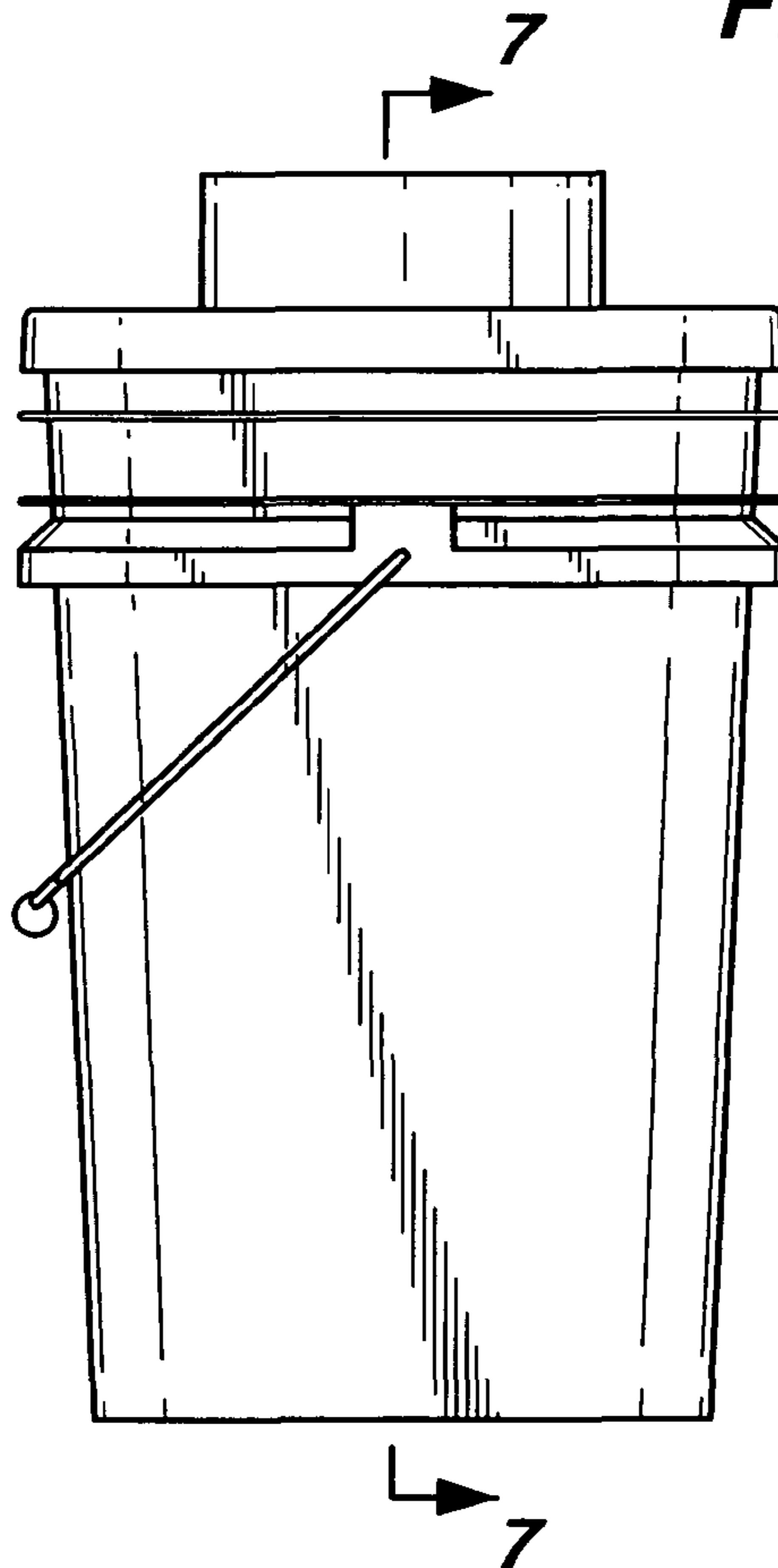


FIG. 4

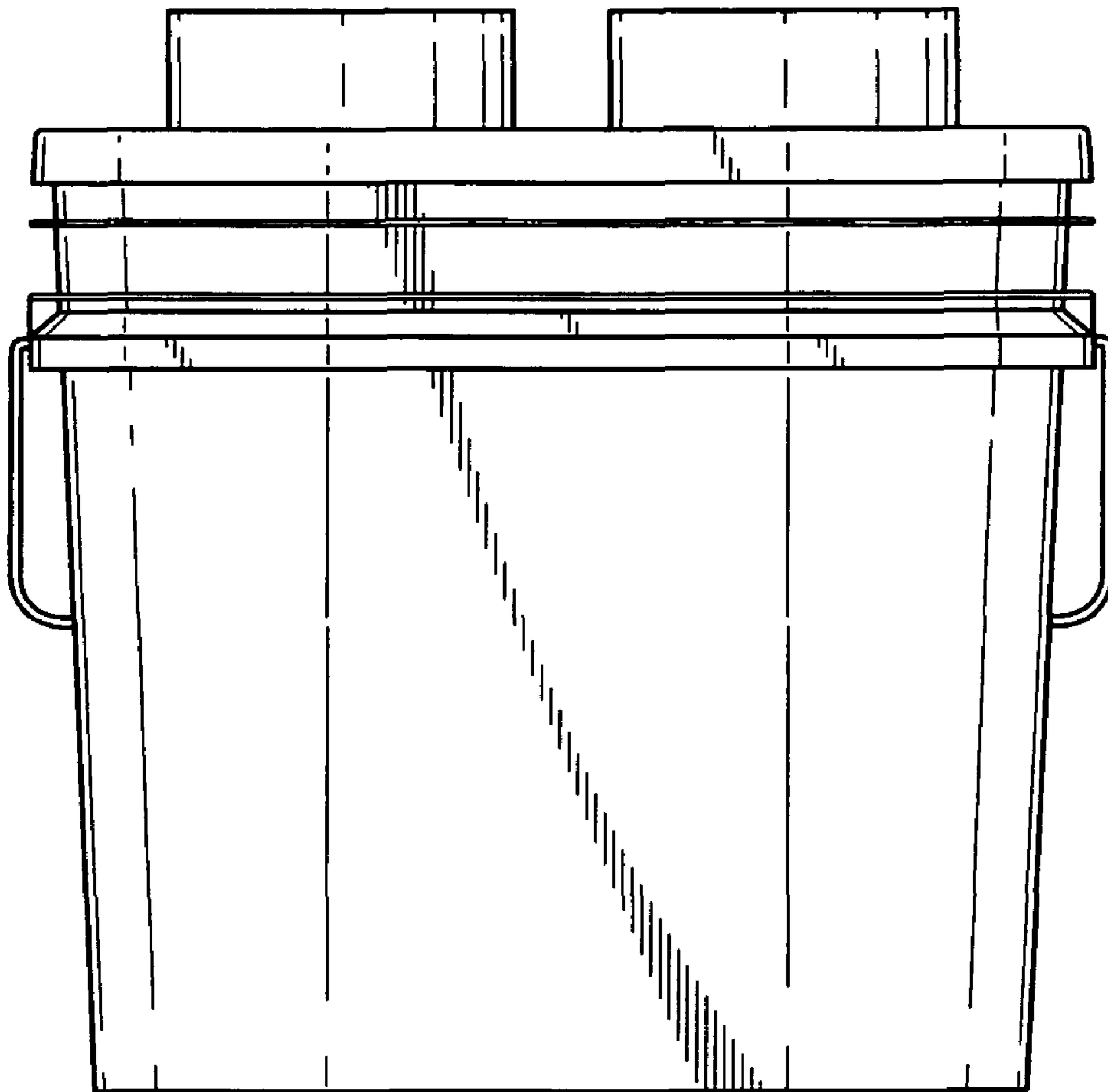


FIG. 5

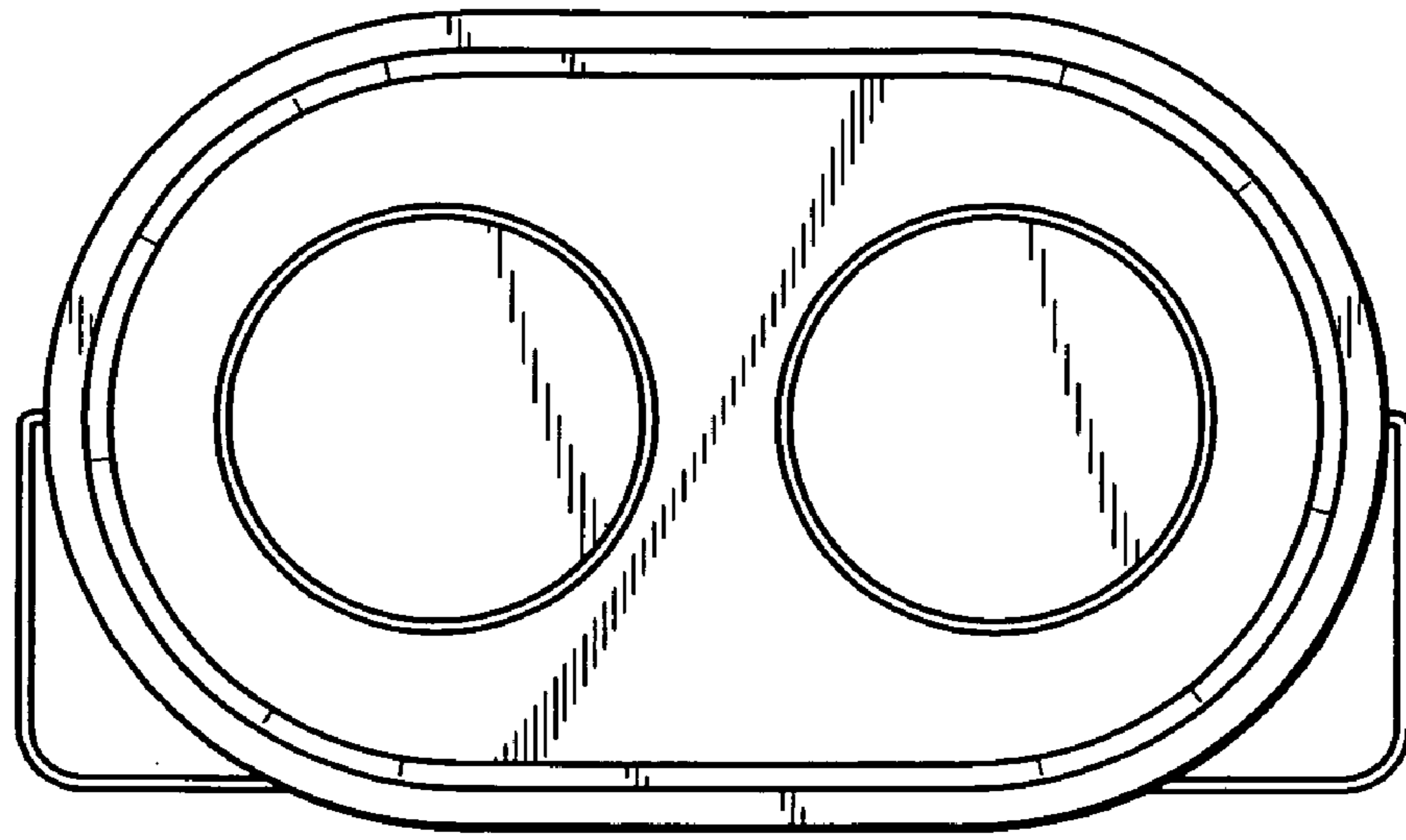


FIG. 6

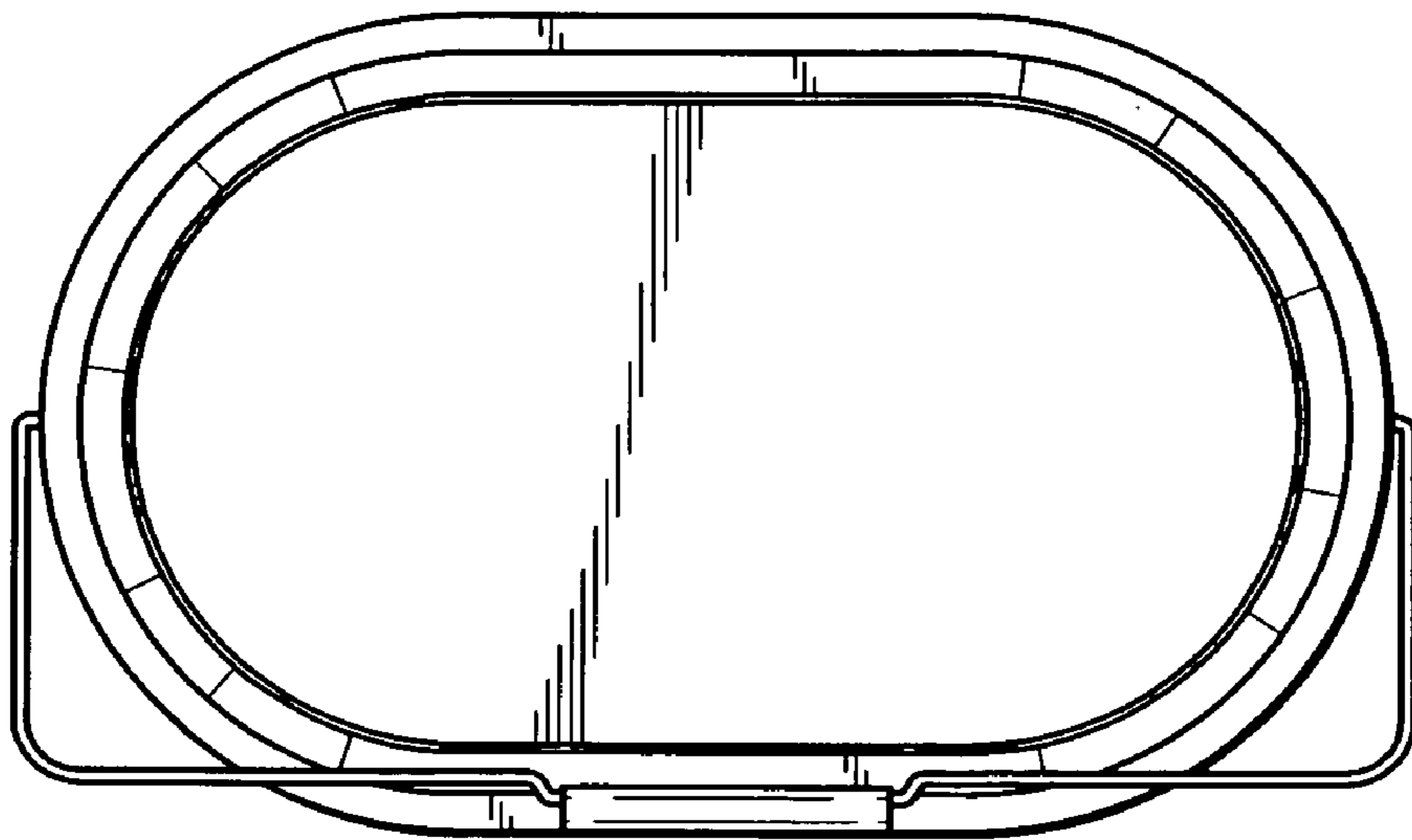


FIG. 7

