



US00D654641S

(12) **United States Design Patent**  
**Morgan et al.**

(10) **Patent No.:** **US D654,641 S**  
(45) **Date of Patent:** **\*\* Feb. 21, 2012**

(54) **UPRIGHT VACUUM**

(75) Inventors: **Charles J. Morgan**, Sparta, TN (US);  
**Christopher M. Paterson**, Franklin, TN (US)

(73) Assignee: **Oreck Holdings LLC**, Nashville, TN (US)

(\*\*) Term: **14 Years**

(21) Appl. No.: **29/360,847**

(22) Filed: **Apr. 30, 2010**

(51) **LOC (9) Cl.** ..... **15-05**

(52) **U.S. Cl.** ..... **D32/22**

(58) **Field of Classification Search** ..... 15/231,  
15/233, 246.2, 353, 50.1, 98, 118, 302, 182,  
15/179, 168, 228, 319, 403, 209.1, 52.1,  
15/246.3, 320-322, 415.1-422.1, 414, 412,  
15/354, 362, 366, 374, 400, 327.1, 329, 41.1,  
15/42, 48, 171, 176.1, 459.1, 339, 208, 372,  
15/385, 115, 106; D32/45, 50-51, 17, 31-33,  
D32/22, 38-40, 25, 49; 401/138-139, 268;  
68/222; 134/198, 105; D8/349, 382; 248/684,  
248/686, 206.15; 392/404-406; 122/379  
See application file for complete search history.

(56) **References Cited**

**U.S. PATENT DOCUMENTS**

D415,324 S \* 10/1999 Wang et al. .... D32/22  
D429,041 S \* 8/2000 Medema et al. .... D32/22

D499,220 S \* 11/2004 Kim ..... D32/22  
D529,245 S \* 9/2006 Dammkoehler ..... D32/22  
D558,940 S \* 1/2008 Griffin ..... D32/22  
D566,913 S \* 4/2008 Griffin ..... D32/22  
D570,563 S \* 6/2008 Umeda et al. .... D32/22  
D584,017 S \* 12/2008 Griffin ..... D32/22  
D588,759 S \* 3/2009 Spiegel ..... D32/22  
D607,161 S \* 12/2009 Ayers ..... D32/22  
D617,511 S \* 6/2010 Griffin ..... D32/22  
2006/0218745 A1 \* 10/2006 Morgan et al. .... 15/410  
2010/0050372 A1 \* 3/2010 Frackowiak ..... 15/347

\* cited by examiner

*Primary Examiner* — Ruth McInroy

(74) *Attorney, Agent, or Firm* — Winston & Strawn LLP

(57) **CLAIM**

We claim the ornamental design for an upright vacuum, as shown and described.

**DESCRIPTION**

FIG. 1 is a front perspective view of an upright vacuum cleaner showing our new design;  
FIG. 2 is a front view thereof;  
FIG. 2A is an enlarged detail of the pattern in FIG. 2;  
FIG. 3 is a left side view thereof;  
FIG. 4 is a right side view thereof;  
FIG. 5 is a rear view thereof; and,  
FIG. 6 is a top plan view thereof.  
The details shown in broken lines form no part of the claimed design.

**1 Claim, 3 Drawing Sheets**

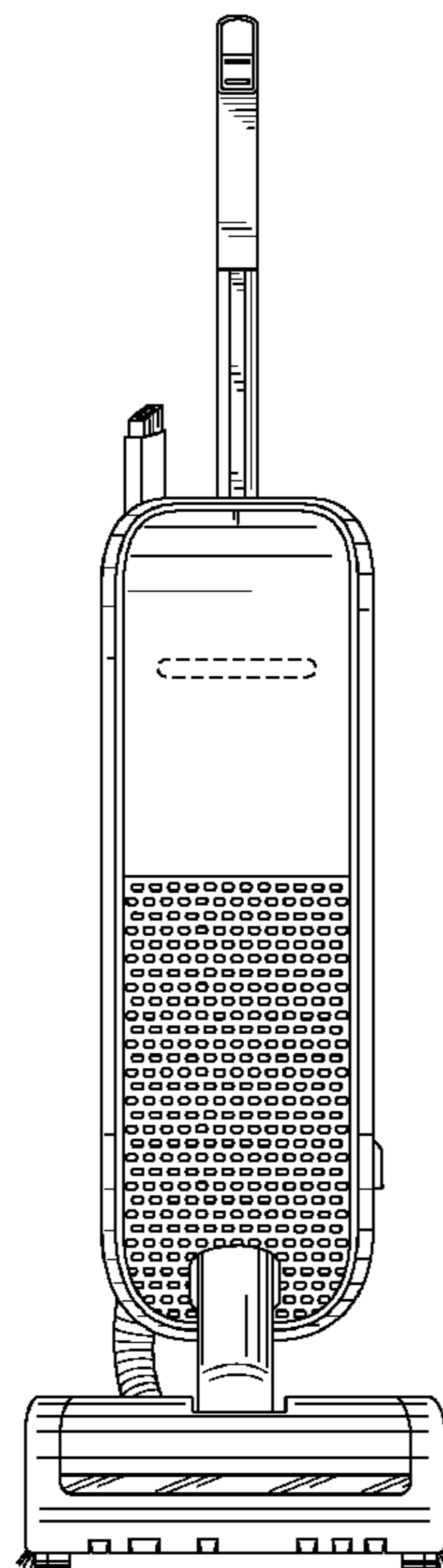
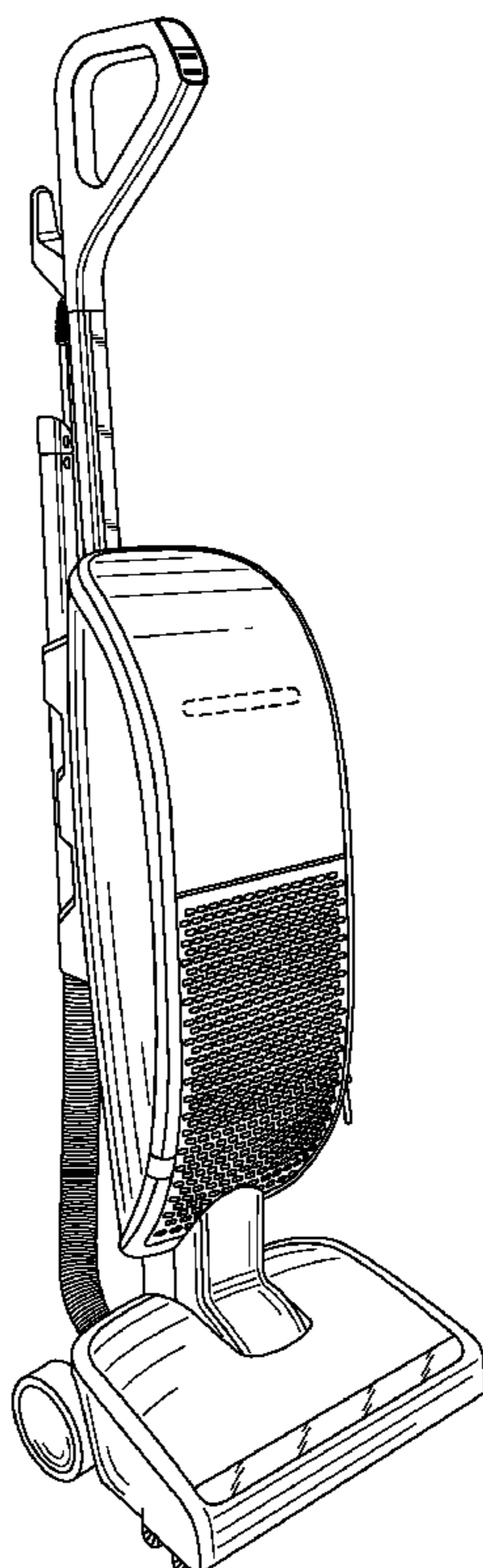


Fig. 1

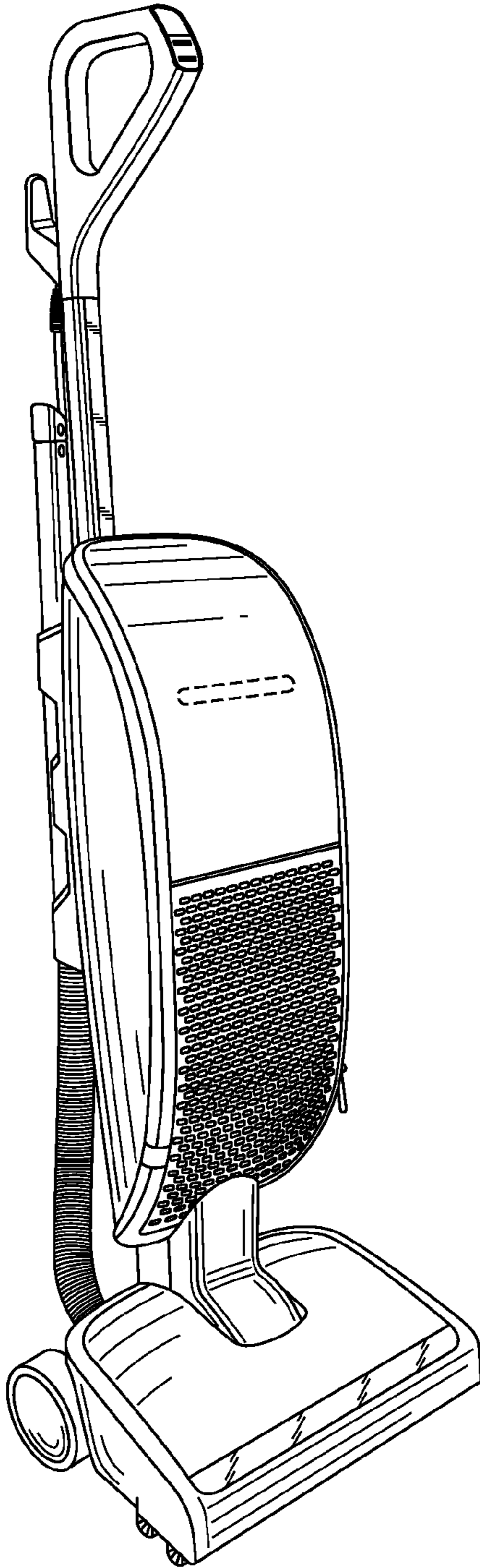


Fig. 2A

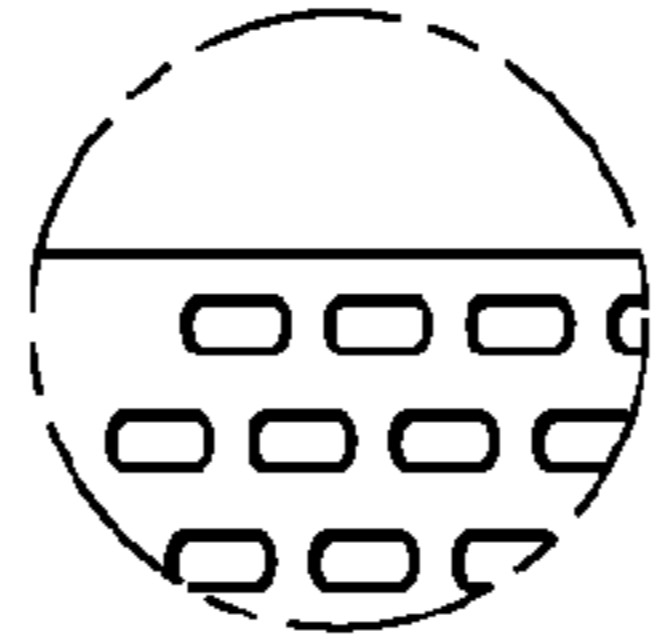


Fig. 2

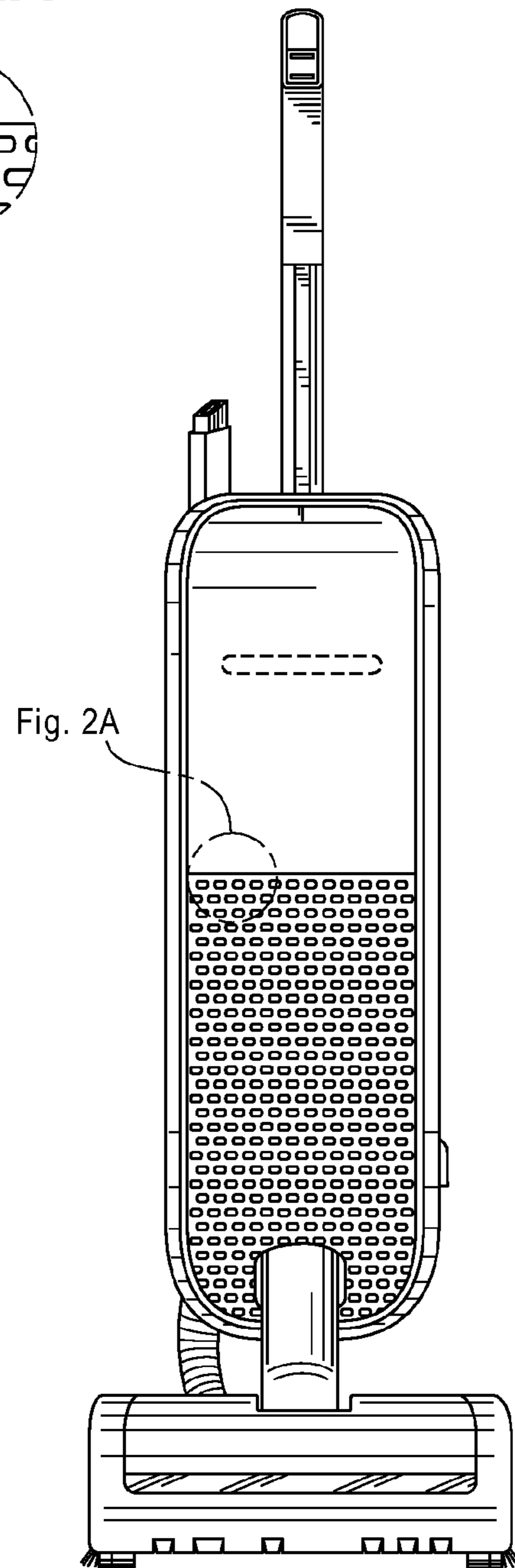


Fig. 3

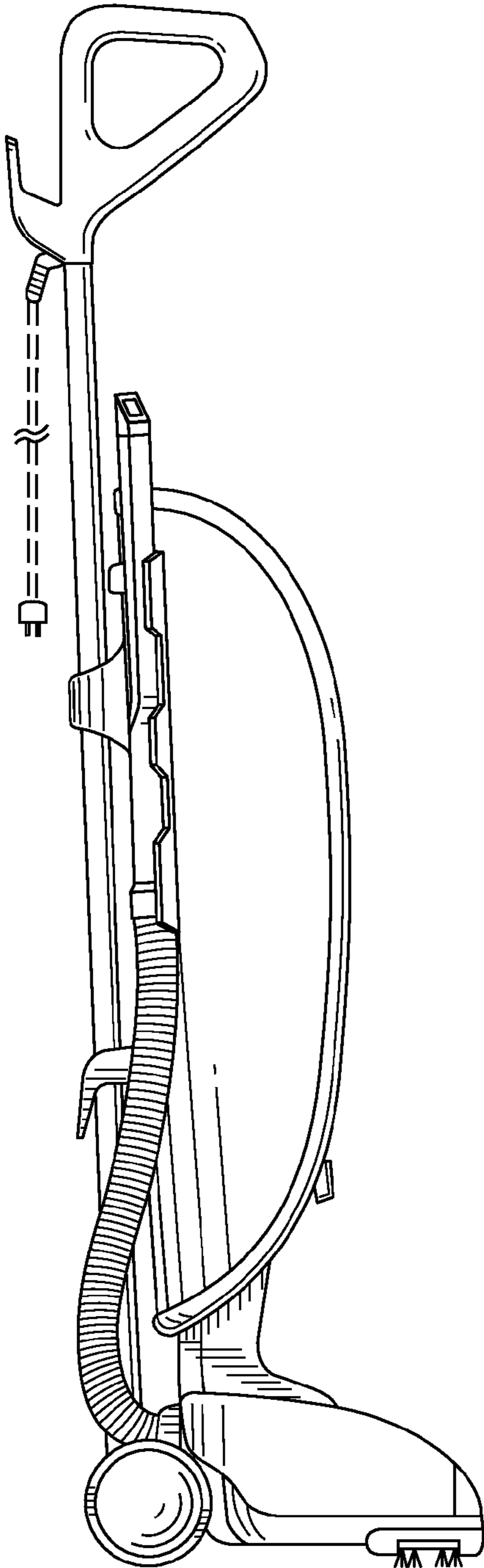
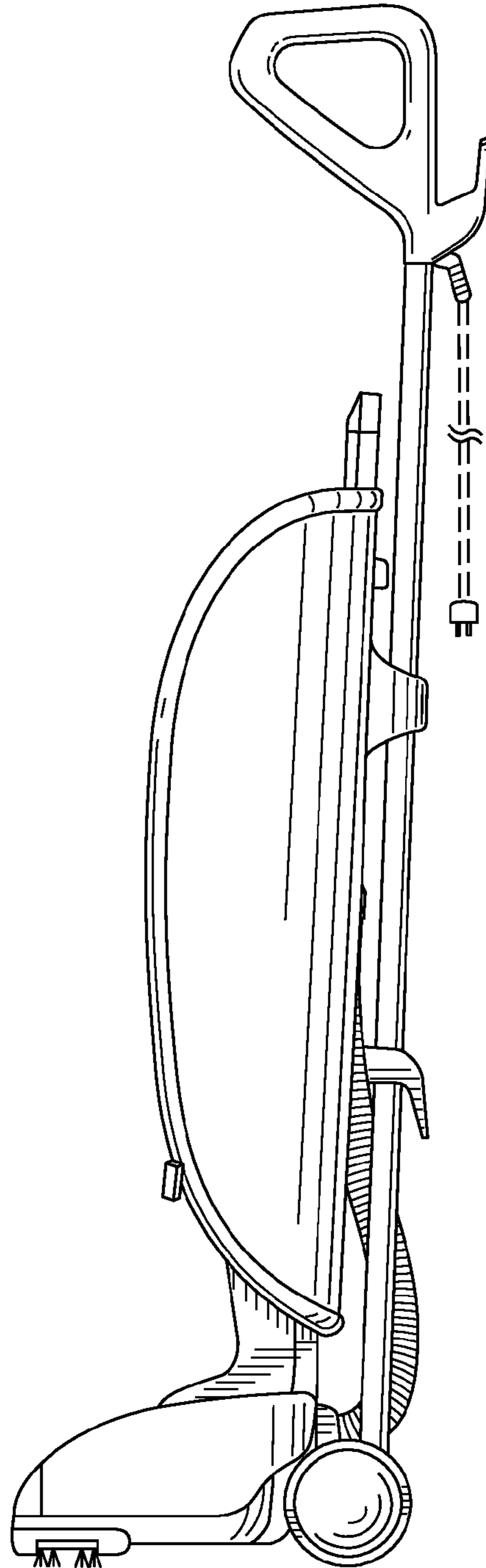
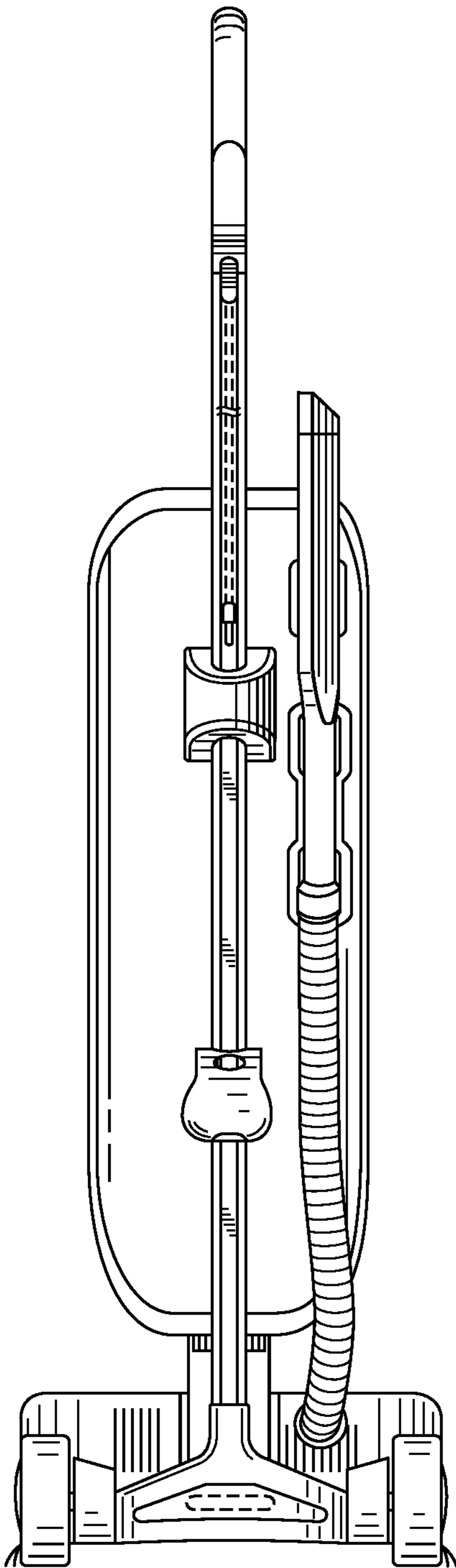


Fig. 4



**Fig. 5**



**Fig. 6**

