



US00D654632S

(12) **United States Design Patent**  
**Chou et al.**

(10) **Patent No.:** **US D654,632 S**

(45) **Date of Patent:** **\*\* Feb. 21, 2012**

(54) **FOOTBALL HELMET**

(75) Inventors: **Art Chou**, Clarkson Valley, MO (US);  
**Scott Keene**, Dardenne Prairie, MO  
(US); **Brian Hoying**, Portland, OR (US);  
**Kevin J. Vititoe**, Columbus, OH (US);  
**Sherry Lynn Jones**, Pataskala, OH  
(US); **Michael Anthony Lorenz**,  
Gahanna, OH (US)

(73) Assignee: **Rawlings Sporting Good Company,  
Inc.**, St. Louis, MO (US)

(\*\*) Term: **14 Years**

(21) Appl. No.: **29/383,669**

(22) Filed: **Jan. 20, 2011**

(51) **LOC (9) Cl.** ..... **02-03**

(52) **U.S. Cl.** ..... **D29/106; D29/122**

(58) **Field of Classification Search** ..... D29/102-112,  
D29/122; D2/869, 870, 878, 879, 882, 886,  
D2/888; 2/410, 411-414, 416-425, 5, 6.6-6.8,  
2/9

See application file for complete search history.

(56) **References Cited**

**U.S. PATENT DOCUMENTS**

D100,814	S	*	8/1936	Fisken	.....	D29/102
3,186,004	A		6/1965	Carlini		
3,609,764	A		10/1971	Morgan		
D230,911	S		3/1974	Ispas		
D234,549	S	*	3/1975	Bell	.....	D29/106
4,347,631	A	*	9/1982	Newcomb	.....	2/423
D271,249	S	*	11/1983	Farquharson	.....	D29/106
D271,347	S	*	11/1983	Bourque	.....	D29/106
4,774,729	A		10/1988	Coates et al.		
4,837,866	A		6/1989	Rector et al.		
D358,232	S	*	5/1995	Hoshizaki et al.	.....	D29/106
D385,663	S	*	10/1997	Hefling et al.	.....	D29/106
5,675,875	A		10/1997	Servatius		

5,696,356	A	*	12/1997	Dudley et al.	.....	181/136
6,138,283	A		10/2000	Kress		
6,256,798	B1		7/2001	Egolf et al.		
6,298,483	B1		10/2001	Schiebl et al.		
6,324,701	B1		12/2001	Alexander		
D465,067	S	*	10/2002	Ide et al.	.....	D29/106
D466,651	S		12/2002	Halstead et al.		
6,772,447	B2		8/2004	Morrow et al.		

(Continued)

**OTHER PUBLICATIONS**

Art Chou et al., U.S. Appl. No. 29/383,659, Football Helmet, filed  
Jan. 20, 2011.

(Continued)

*Primary Examiner* — Rosemary K Tarcza

(74) *Attorney, Agent, or Firm* — Stinson Morrison Hecker  
LLP

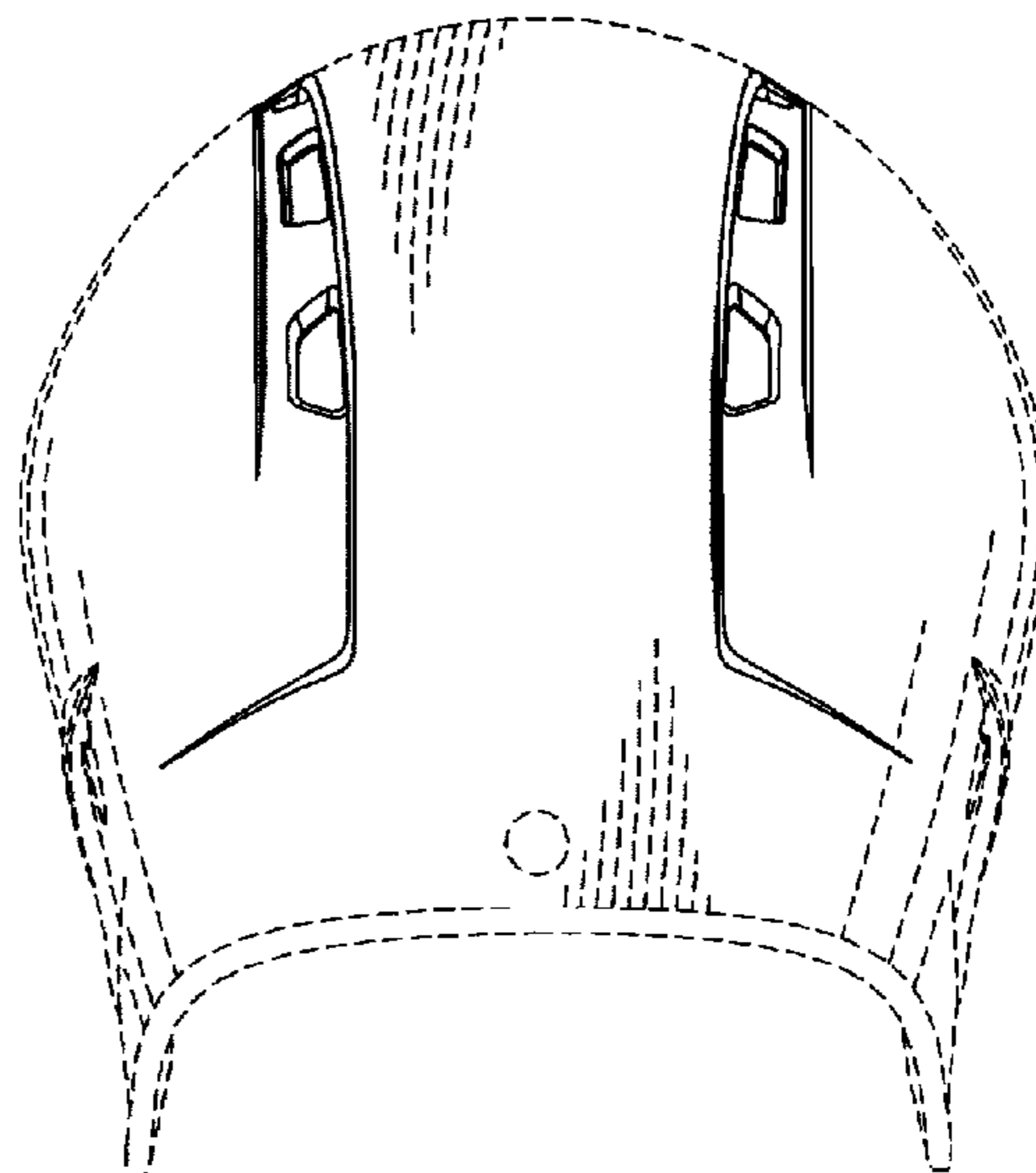
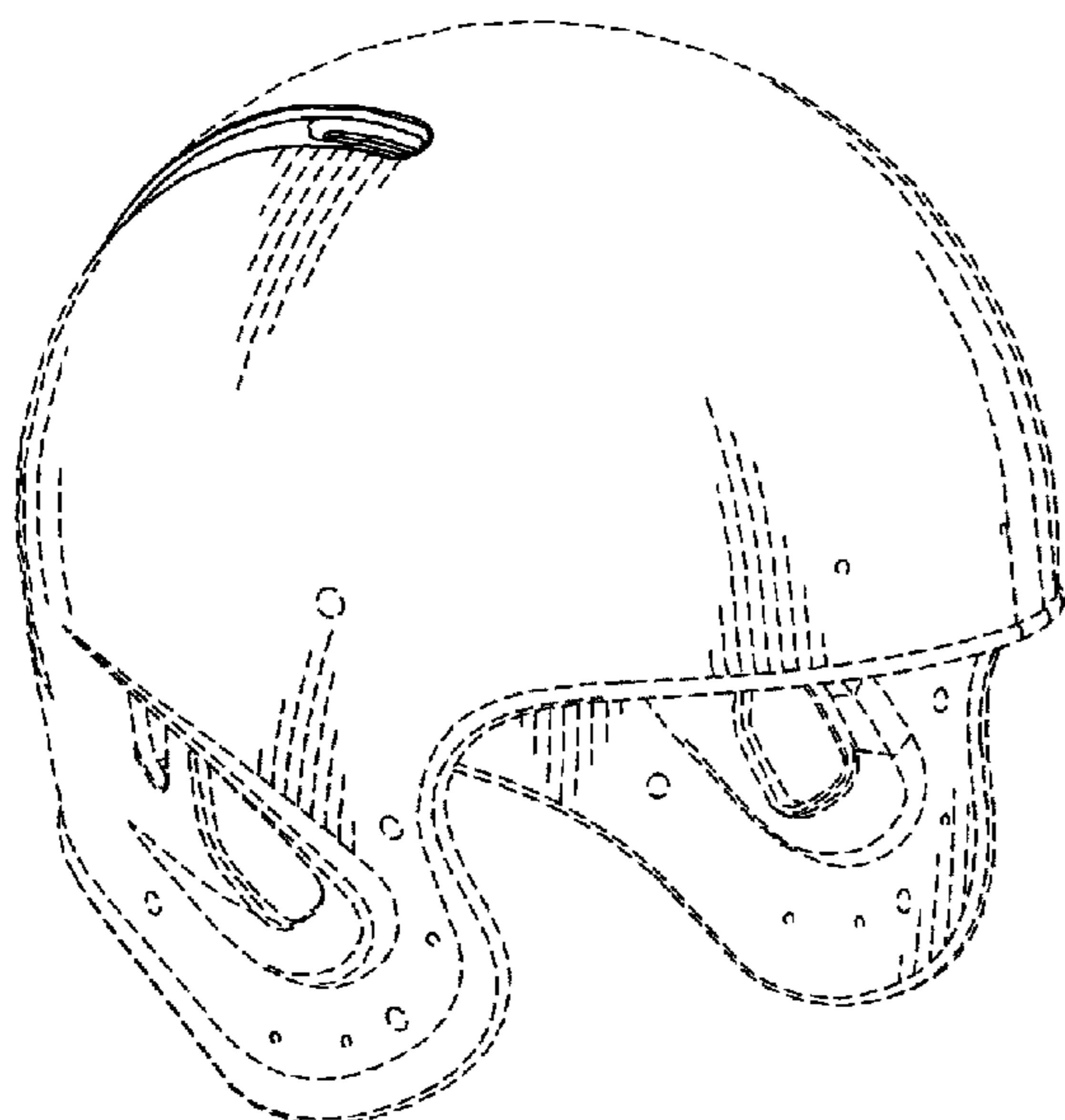
(57) **CLAIM**

The ornamental design for a football helmet, as shown and  
described.

**DESCRIPTION**

FIG. 1 is a perspective view of the football helmet;  
FIG. 2 is a right side elevational view of the football helmet of  
FIG. 1;  
FIG. 3 is a left side elevational view of the football helmet of  
FIG. 1;  
FIG. 4 is a front elevational view of the football helmet of  
FIG. 1;  
FIG. 5 is a rear elevational view of the football helmet of FIG.  
1;  
FIG. 6 is a top plan view of the football helmet of FIG. 1; and,  
FIG. 7 is a bottom plan view of the football helmet of FIG. 1.  
The broken lines shown in the drawings are included for the  
purpose of illustrating unclaimed portions of the football  
helmet and form no part of the claimed design.

**1 Claim, 4 Drawing Sheets**



# US D654,632 S

Page 2

## U.S. PATENT DOCUMENTS

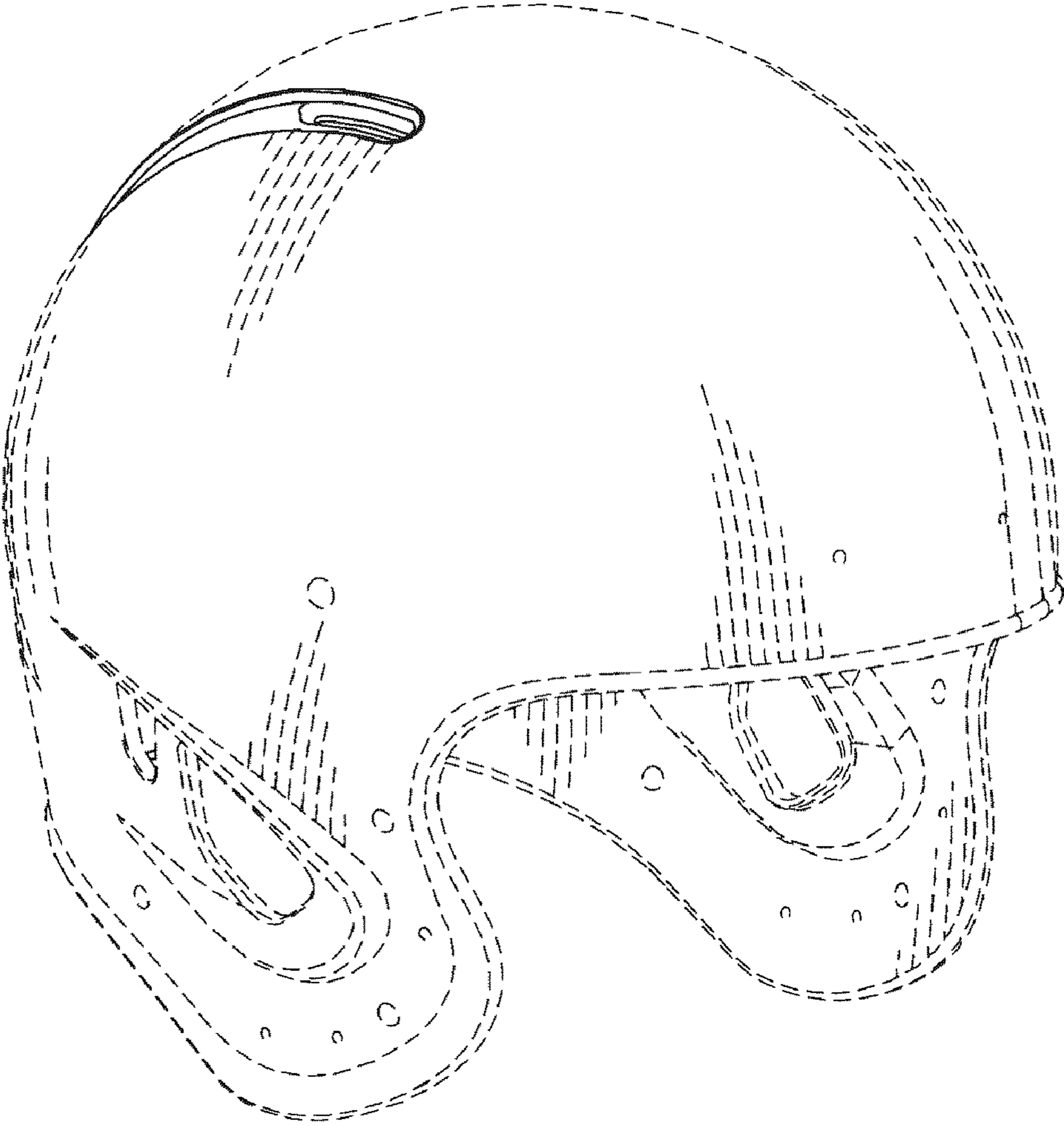
D511,026 S 10/2005 Ide et al.  
D512,534 S 12/2005 Maddux et al.  
7,036,151 B2 5/2006 Ide et al.  
D528,705 S 9/2006 Ide et al.  
D529,233 S \* 9/2006 Schneider ..... D29/102  
D557,463 S \* 12/2007 Brown et al. .... D29/122  
D581,599 S \* 11/2008 Ferrara et al. .... D29/106  
D582,607 S \* 12/2008 Ferrara et al. .... D29/106  
D587,407 S 2/2009 Nimmons et al.  
D587,852 S 3/2009 Nimmons  
D587,853 S 3/2009 Nimmons  
D587,854 S 3/2009 Nimmons  
D587,855 S 3/2009 Nimmons et al.  
D592,809 S \* 5/2009 Broersma et al. .... D29/106  
D598,167 S \* 8/2009 Broersma et al. .... D29/105

D603,099 S \* 10/2009 Bologna et al. .... D29/106  
D603,100 S \* 10/2009 Bologna ..... D29/106  
D625,050 S \* 10/2010 Chen ..... D29/106  
D637,767 S \* 5/2011 Morin ..... D29/122  
D640,010 S \* 6/2011 Mateu Codina ..... D29/105  
2002/0174480 A1 11/2002 Lombard  
2009/0106882 A1 4/2009 Nimmons et al.  
2010/0050323 A1 \* 3/2010 Durocher et al. .... 2/414

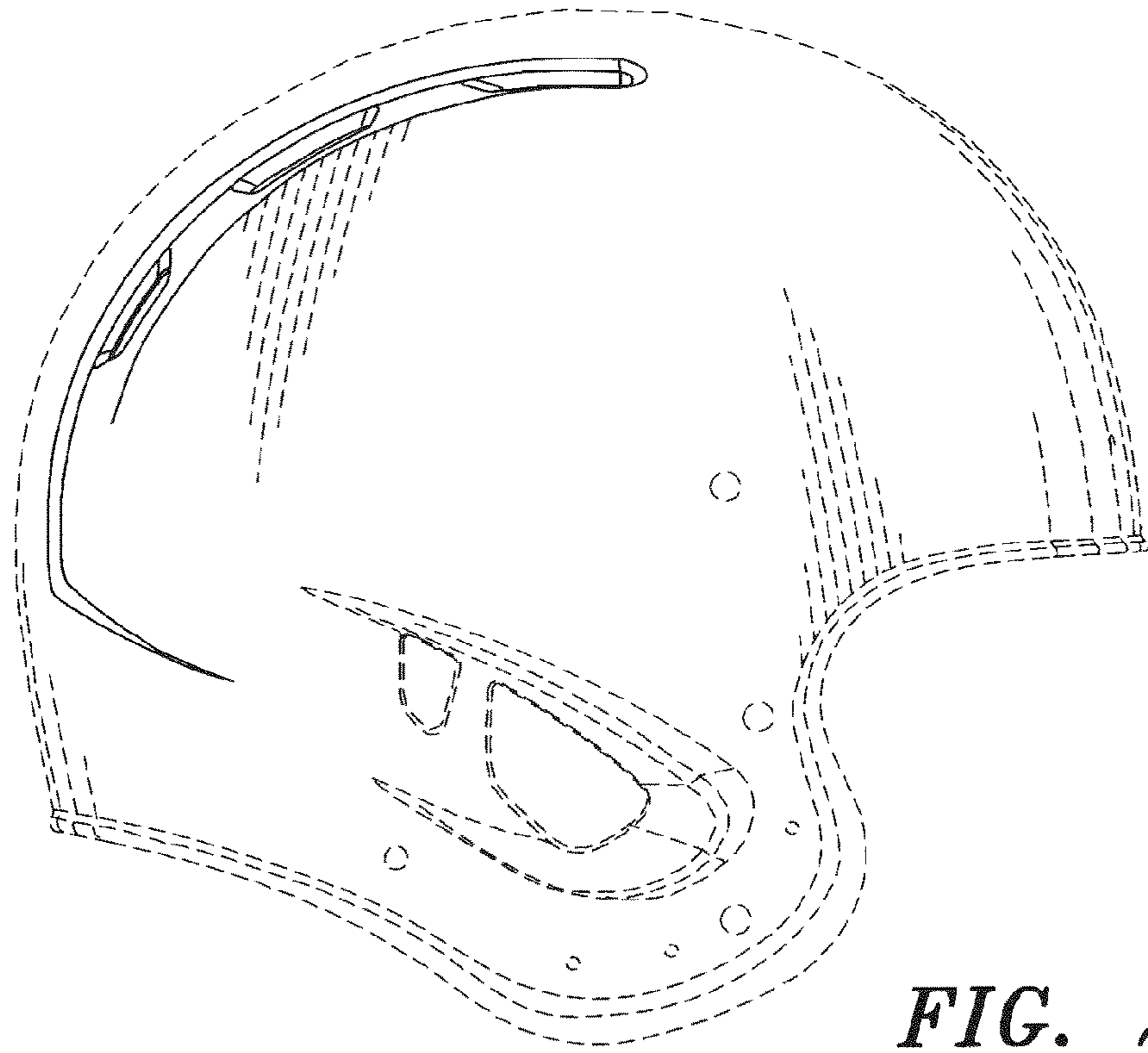
## OTHER PUBLICATIONS

Art Chou et al., U.S. Appl. No. 29/383,655, Football Helmet, filed Jan. 20, 2011.  
Art Chou et al., U.S. Appl. No. 29/383,666, Football Helmet, filed Jan. 20, 2011.

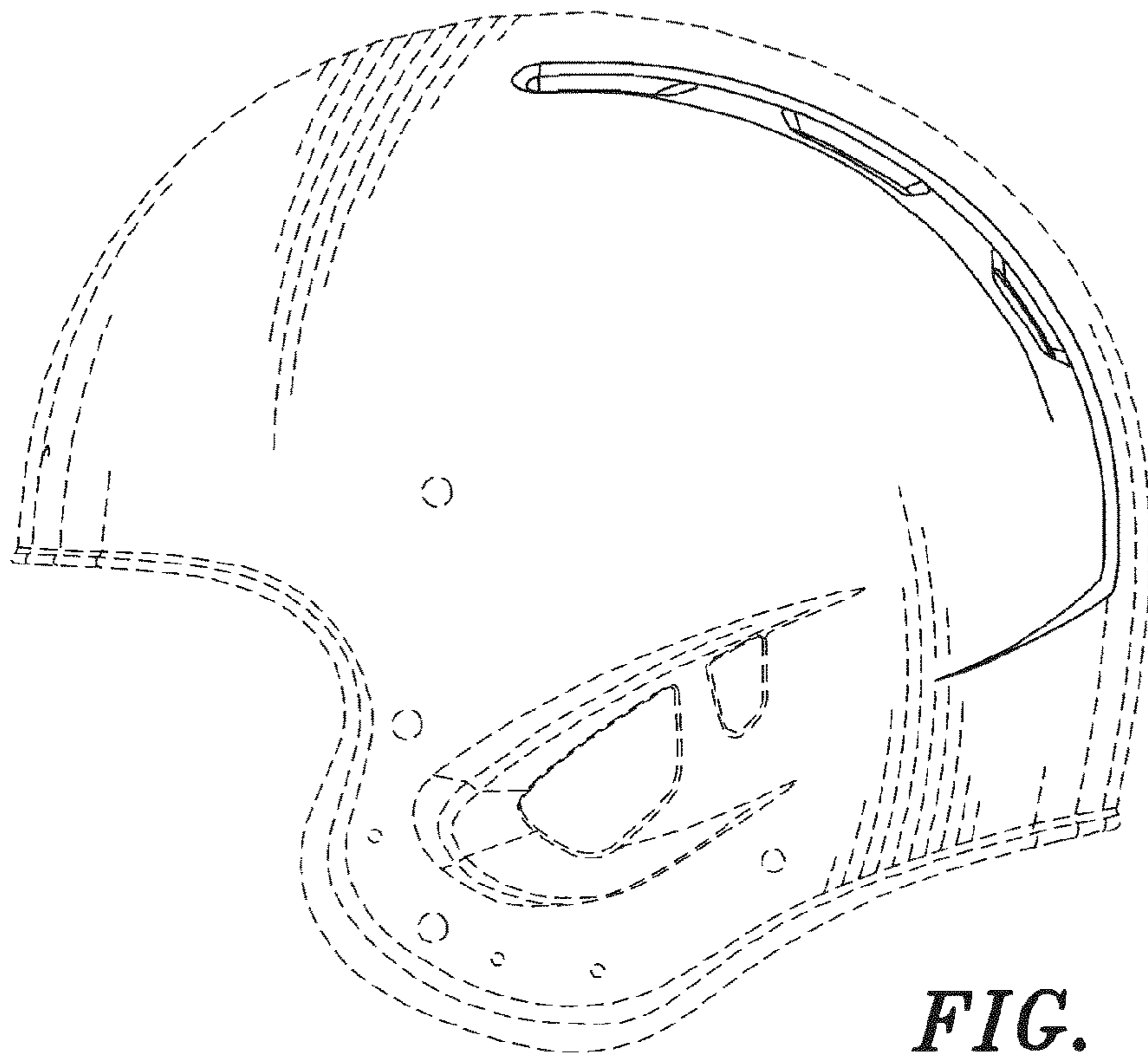
\* cited by examiner



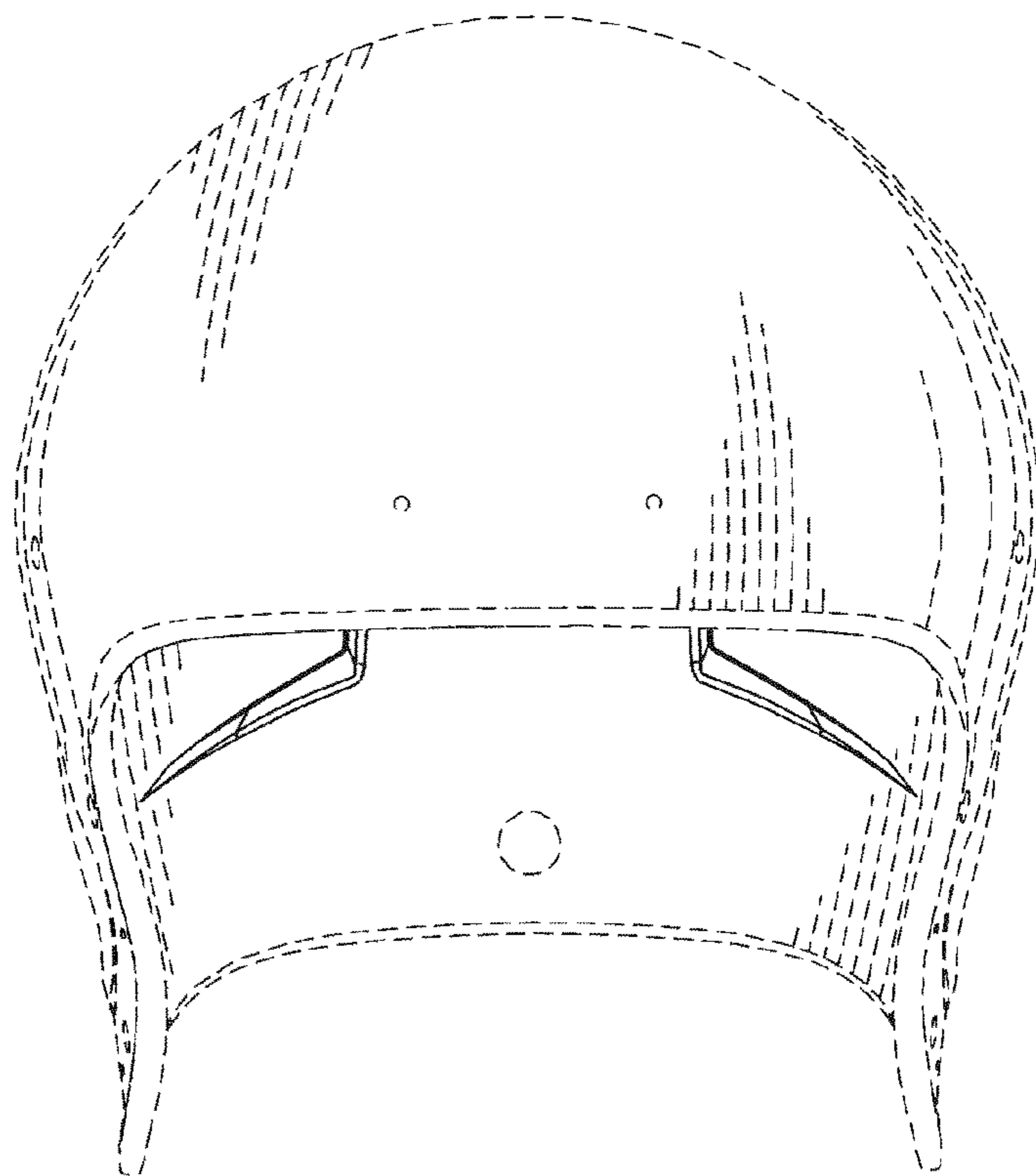
**FIG. 1**



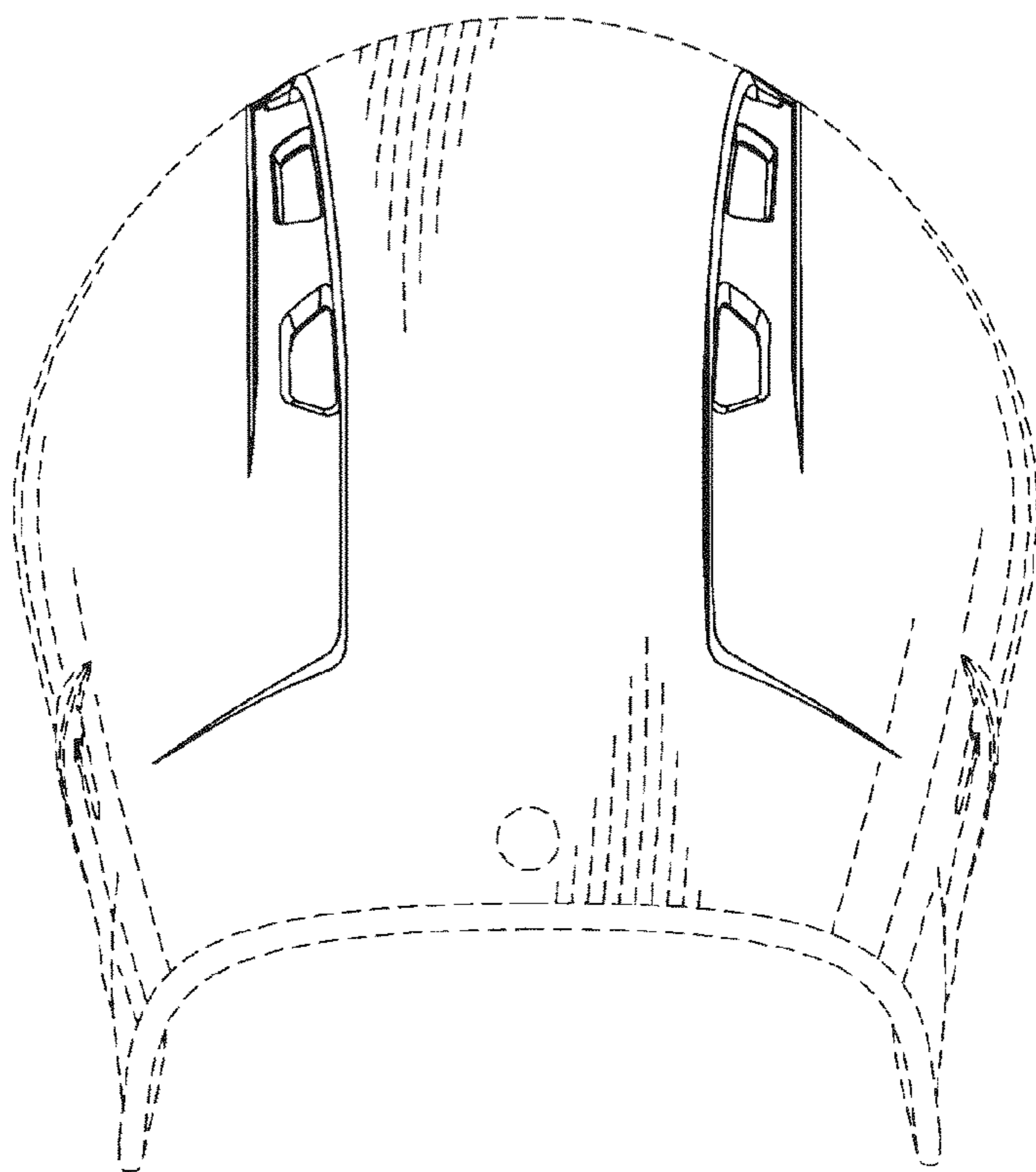
**FIG. 2**



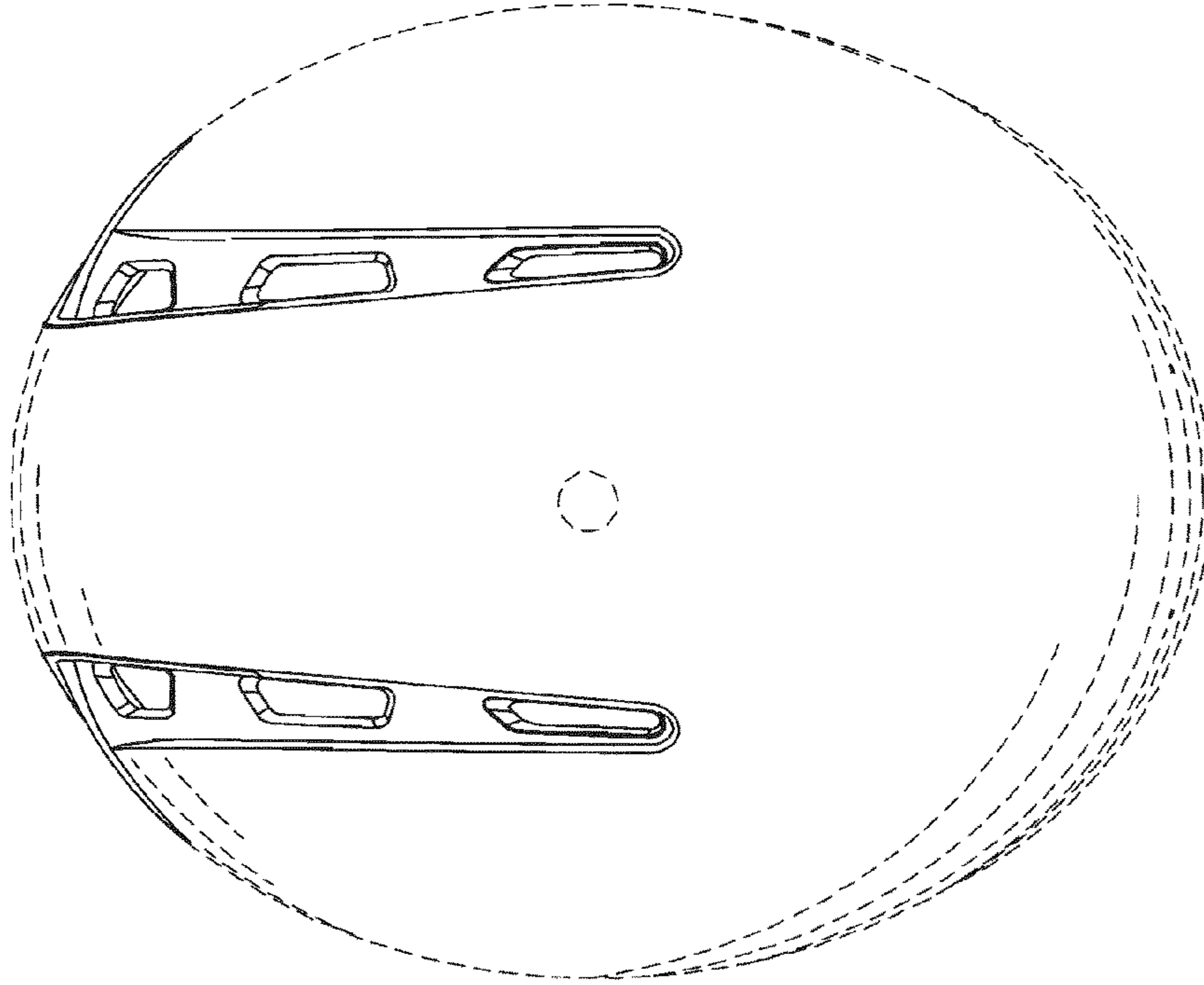
**FIG. 3**



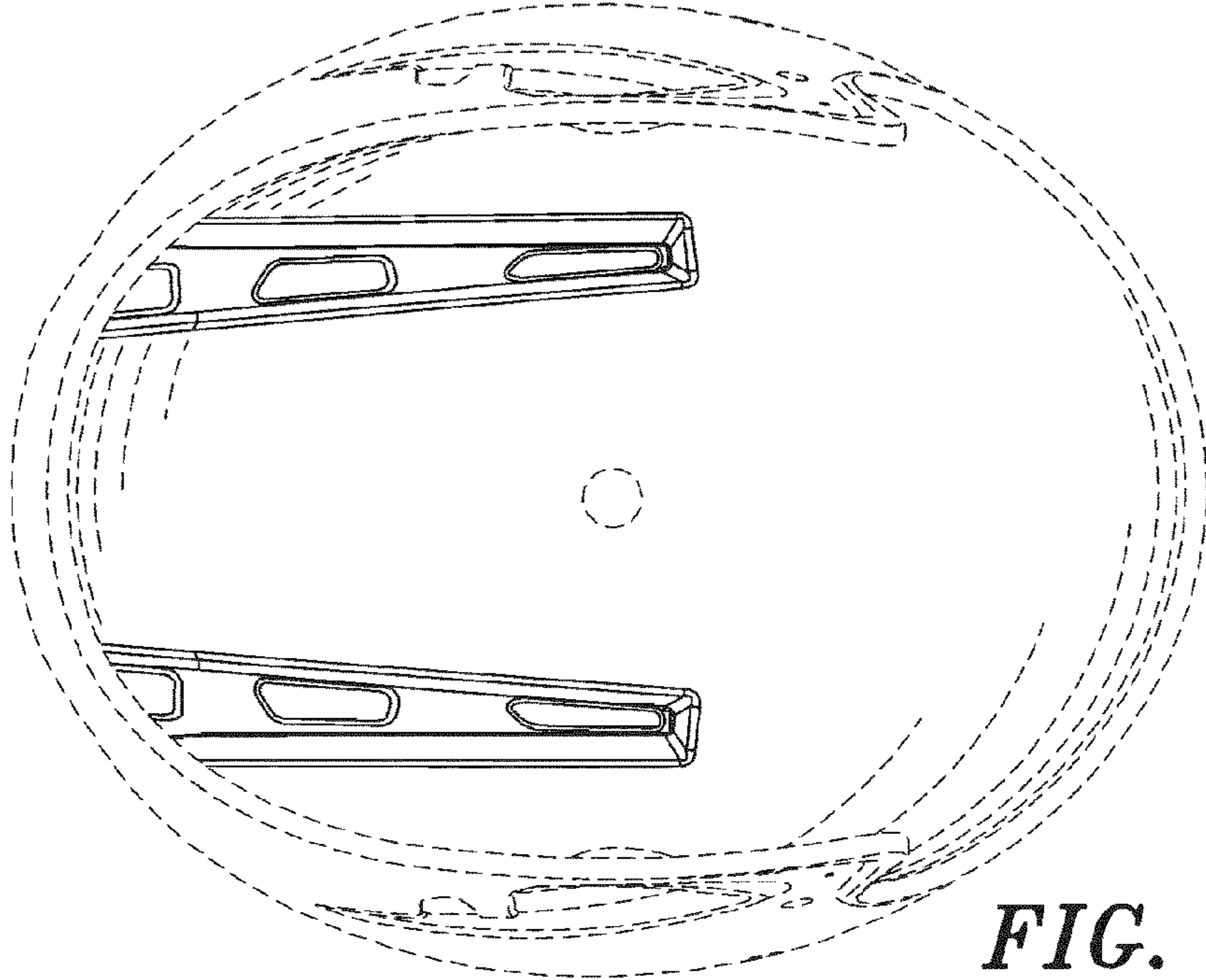
*FIG. 4*



*FIG. 5*



**FIG. 6**



**FIG. 7**