



US00D654621S

(12) **United States Design Patent**
Grienay

(10) **Patent No.:** **US D654,621 S**
(45) **Date of Patent:** **** Feb. 21, 2012**

(54) **HAIR STRAIGHTENER**

(75) Inventor: **Arnaud Grienay**, Lyons (FR)

(73) Assignee: **Calor**, Lyons (FR)

(**) Term: **14 Years**

(21) Appl. No.: **29/398,759**

(22) Filed: **Aug. 4, 2011**

(30) **Foreign Application Priority Data**

Feb. 4, 2011 (EM) 001258396-0001

(51) **LOC (9) Cl.** **28-03**

(52) **U.S. Cl.** **D28/35**

(58) **Field of Classification Search** D28/35;
219/222, 225-226; 132/223-272

See application file for complete search history.

(56) **References Cited**

U.S. PATENT DOCUMENTS

D536,483	S *	2/2007	Lun et al.	D28/35
D606,251	S *	12/2009	Leung	D28/35
D606,255	S *	12/2009	Leung	D28/35
D627,926	S *	11/2010	Nenadich	D28/35
D643,974	S *	8/2011	Renault	D28/35
2009/0159093	A1 *	6/2009	Yu	132/211

FOREIGN PATENT DOCUMENTS

BE	001135875-0014	5/2009
BE	001135875-0015	5/2009

BE	001135875-0017	5/2009
FR	001054423-0002	12/2008
FR	001168165-0001	9/2009
WO	DM/072796	12/2009

* cited by examiner

Primary Examiner — Jennifer Rivard

(74) *Attorney, Agent, or Firm* — Loeb & Loeb LLP

(57) **CLAIM**

The ornamental design for a hair straightener, as shown and described.

DESCRIPTION

FIG. 1 is a perspective view of an embodiment of a hair straightener in an open position.

FIG. 2 is a left side elevational view of the hair straightener of FIG. 1 in an open position.

FIG. 3 is a right side elevational view of the hair straightener of FIG. 1 in an open position.

FIG. 4 is a top plan view of the hair straightener of FIG. 1 in an open position.

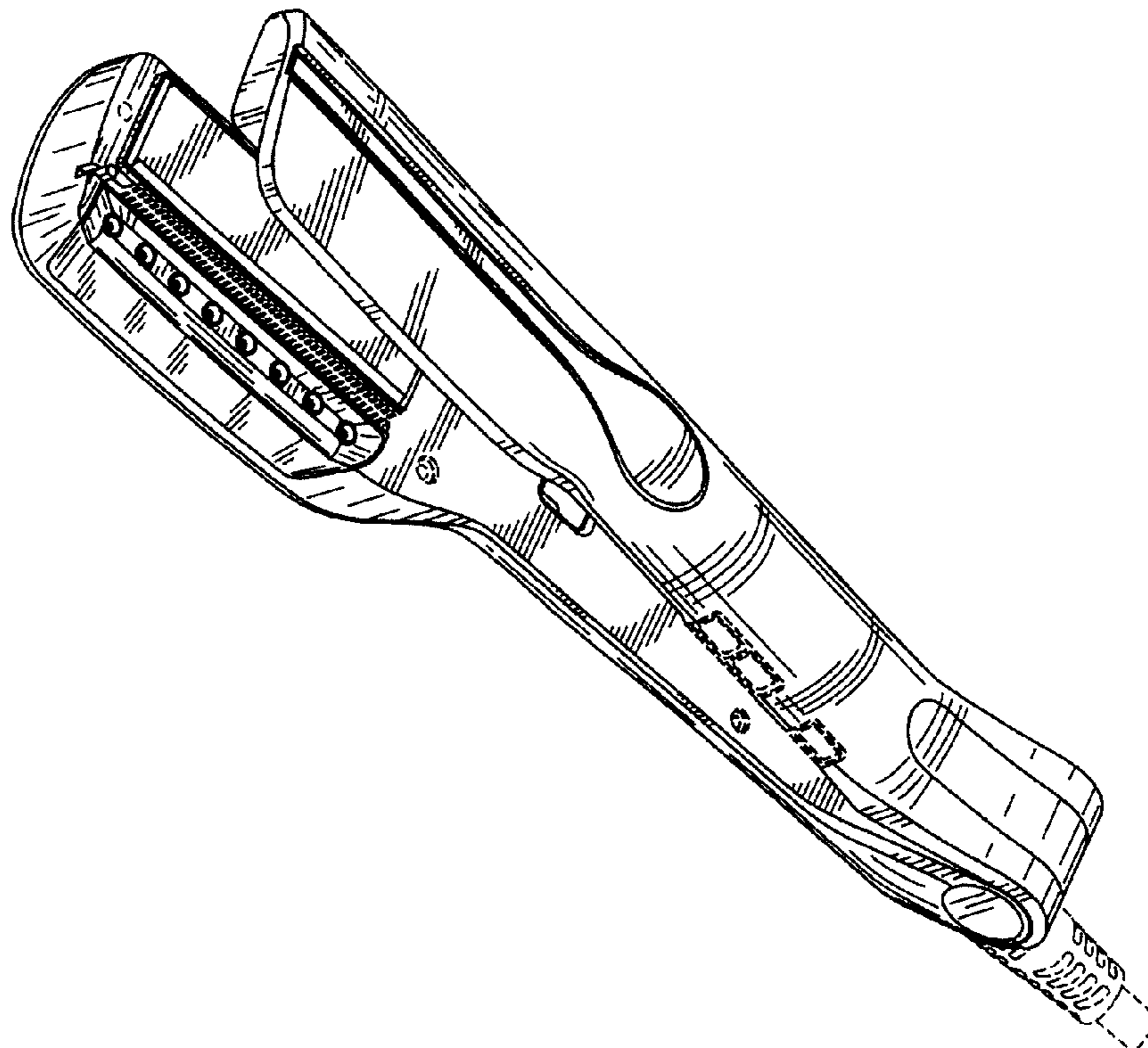
FIG. 5 is a bottom plan view of the hair straightener of FIG. 1 in an open position.

FIG. 6 is a front elevational view of the hair straightener of FIG. 1 in an open position; and,

FIG. 7 is a rear elevational view of the hair straightener of FIG. 1 in an open position.

The broken lines appearing in the figures are for the purpose of illustrating the environmental structure of the article of the claimed design and form no part of the claimed design.

1 Claim, 4 Drawing Sheets



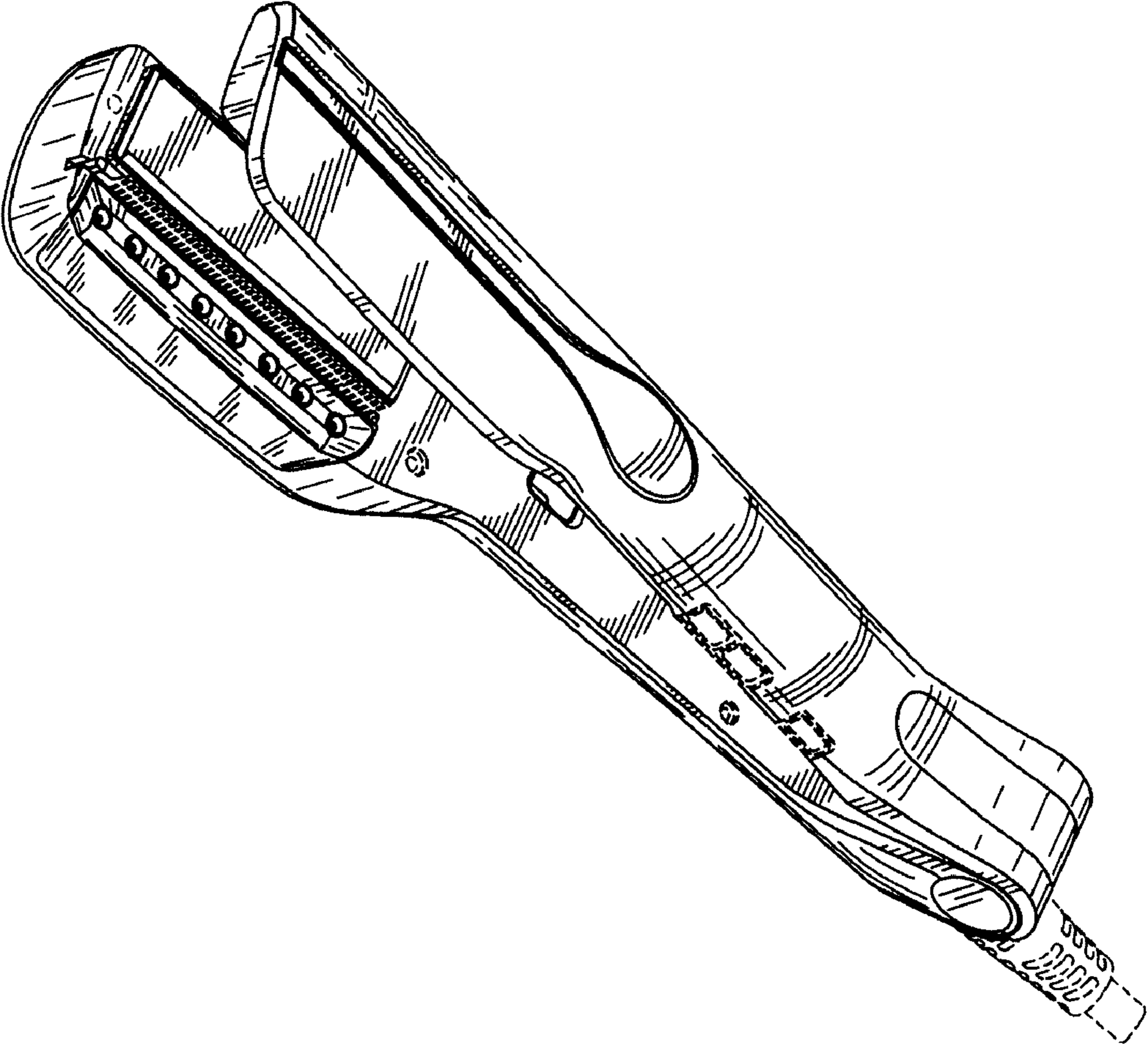


FIG. 1

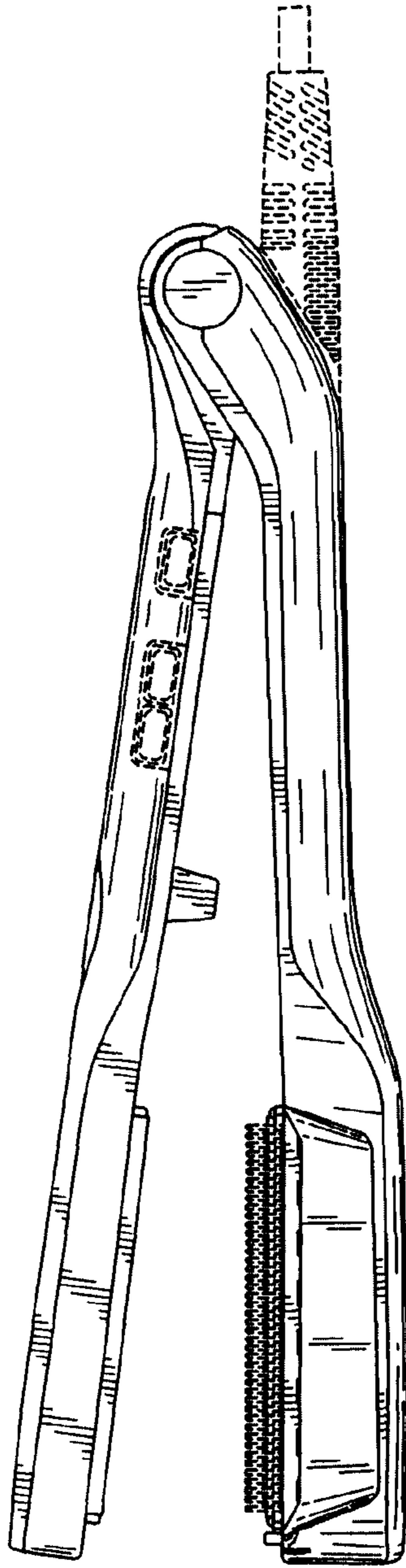


FIG. 2



FIG. 3

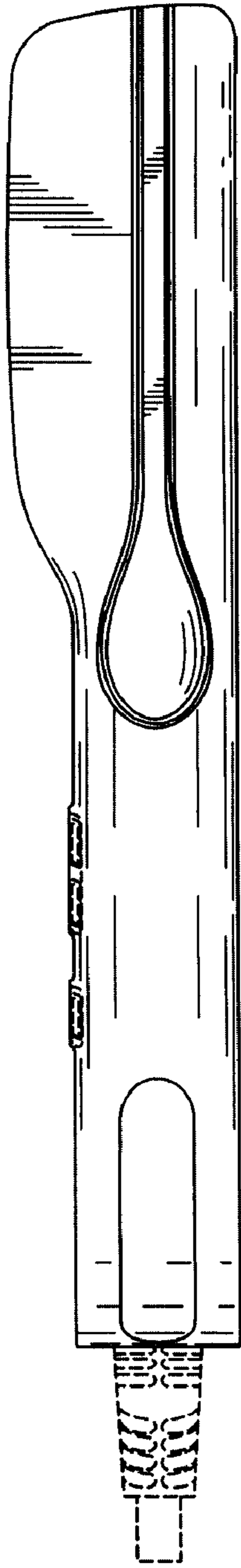


FIG. 4

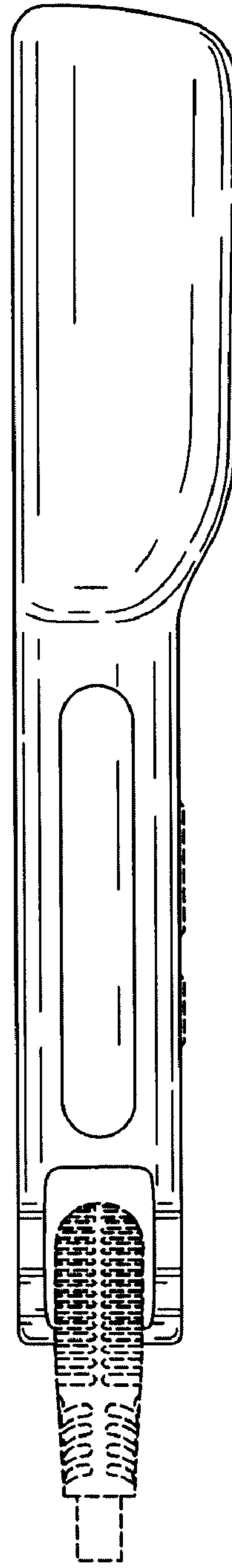


FIG. 5

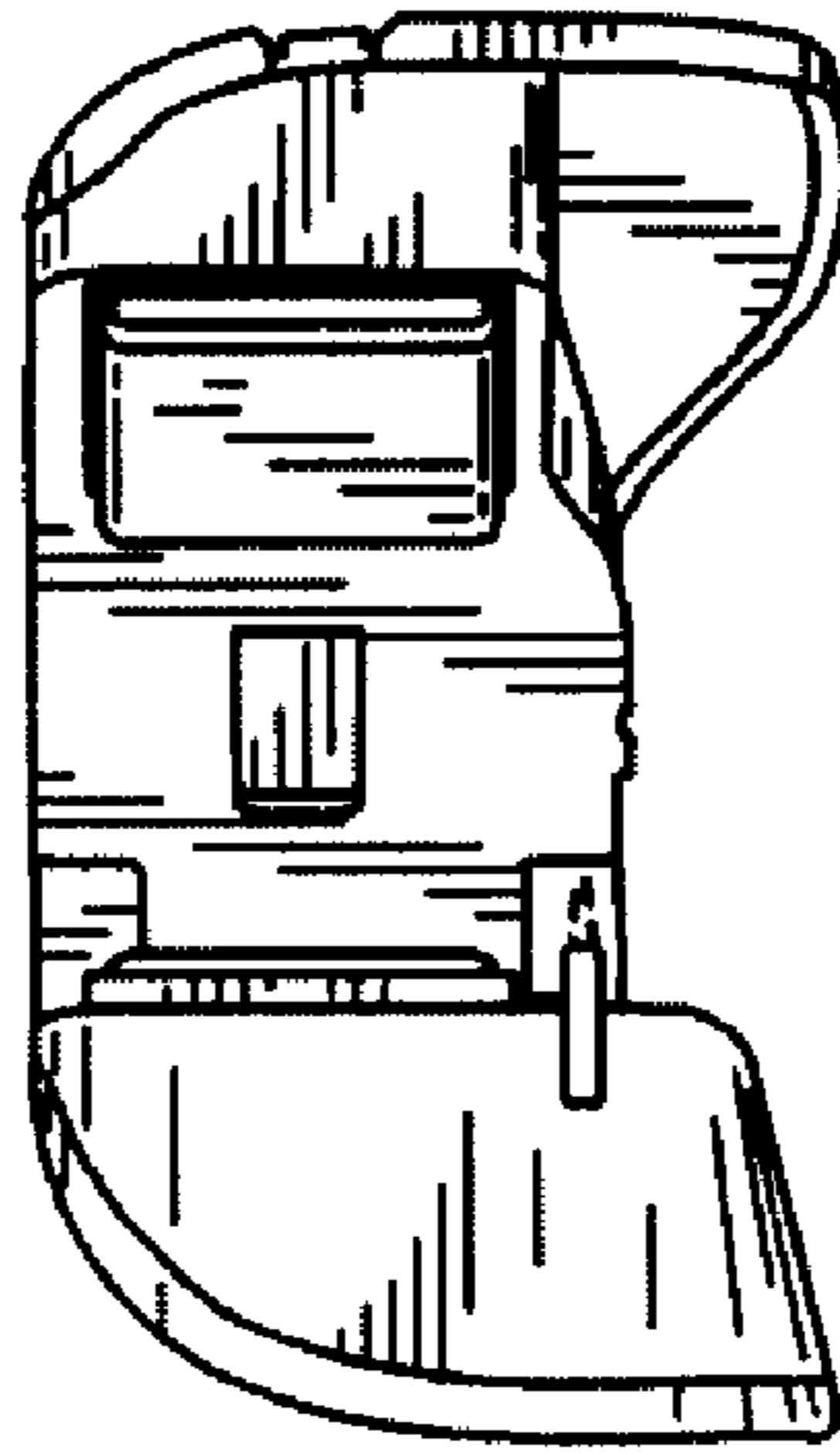


FIG. 6

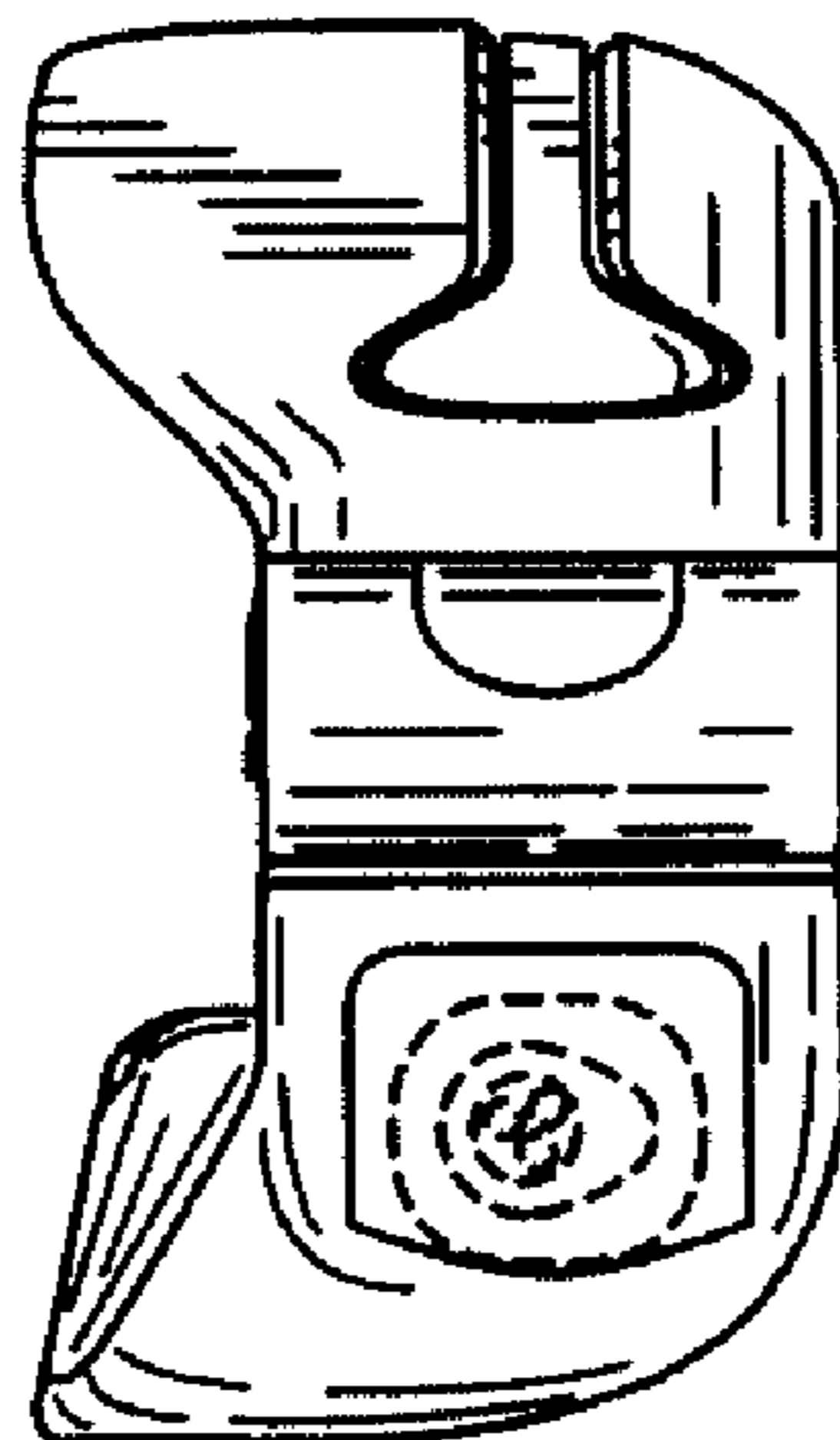


FIG. 7