



US00D654618S

(12) **United States Design Patent**  
**Kong et al.**

(10) **Patent No.:** **US D654,618 S**  
(45) **Date of Patent:** **\*\* Feb. 21, 2012**

(54) **LED LAMP**

(75) Inventors: **Kyung-il Kong**, Seoul (KR); **Han Gyoul Kim**, Seoul (KR); **Hwayoung Kim**, Seoul (KR); **Ji Yeon Hyun**, Seoul (KR)

(73) Assignee: **LG Innotek Co., Ltd.**, Seoul (KR)

(\*\*) Term: **14 Years**

(21) Appl. No.: **29/383,818**

(22) Filed: **Jan. 21, 2011**

**Related U.S. Application Data**

(62) Division of application No. 29/375,581, filed on Sep. 24, 2010.

(30) **Foreign Application Priority Data**

Mar. 25, 2010 (KR) ..... 30-2010-0012985  
Mar. 25, 2010 (KR) ..... 30-2010-0012989

(51) **LOC (9) Cl.** ..... **26-99**

(52) **U.S. Cl.** ..... **D26/122**

(58) **Field of Classification Search** ..... D26/122,  
D26/138, 118, 120, 76, 80, 63, 62, 68, 121,  
D26/155, 152, 2, 24, 25, 26, 28, 46, 47, 49,  
D26/60, 67, 71, 72, 73, 78, 79, 81, 83, 85,  
D26/88, 93, 101, 102, 103, 104, 105, 110,  
D26/113, 119, 123, 124, 128, 127, 129, 130,  
D26/135, 137, 154, 86, 90, 140, 142, 145;  
362/362, 363, 326, 329, 330, 342, 351, 356,  
362/357, 296, 297, 299, 300, 301, 302, 317,  
362/325, 377, 121, 147, 148, 151, 171, 186,  
362/218, 219, 648, 650, 257, 279, 280, 290,  
362/292, 293; D13/179, 180

See application file for complete search history.

(56) **References Cited**

U.S. PATENT DOCUMENTS

2,194,841 A \* 3/1940 Welch ..... 362/217.05  
(Continued)

FOREIGN PATENT DOCUMENTS

JP 1011278 6/1998  
(Continued)

OTHER PUBLICATIONS

U.S. Notice of Allowance issued in U.S. Appl. No. 29/375,851.  
(Continued)

*Primary Examiner* — Kevin Rudzinski

(74) *Attorney, Agent, or Firm* — Ked & Associates LLP

(57) **CLAIM**

We claim the ornamental design for a LED lamp, as shown and described.

**DESCRIPTION**

FIG. 1 is a front perspective view of a LED lamp showing our new design;

FIG. 2 is a front view of the LED lamp of FIG. 1;

FIG. 3 is a rear view of the LED lamp of FIG. 1;

FIG. 4 is a left side view of the LED lamp of FIG. 1;

FIG. 5 is a right side view of the LED lamp of FIG. 1;

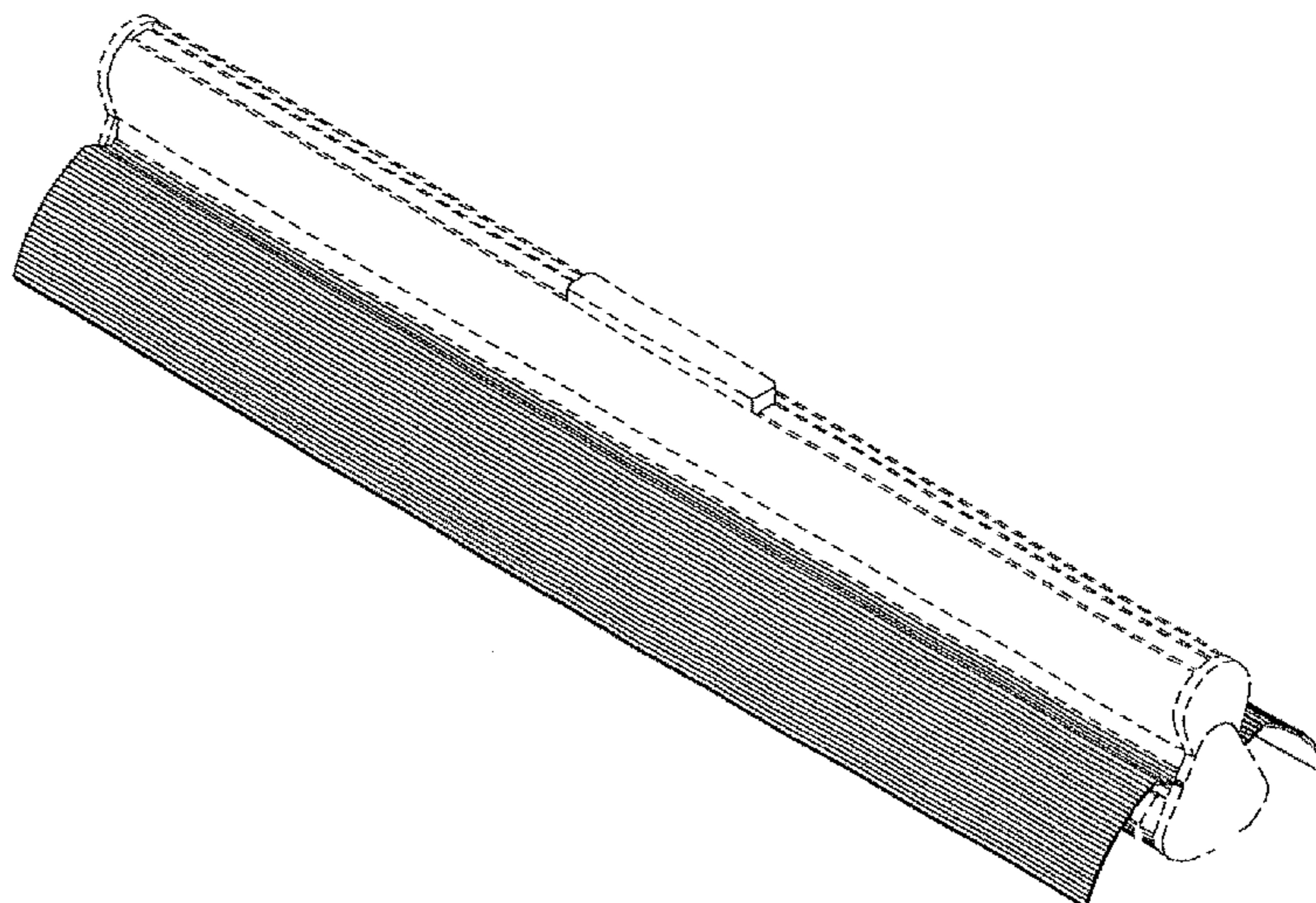
FIG. 6 is a top view of the LED lamp of FIG. 1;

FIG. 7 is a bottom view of the LED lamp of FIG. 1; and,

FIG. 8 is a front perspective view of the LED lamp of FIG. 1 shown in use with a holder for a LED lamp; and with an enlarged partial view shown in the dash-dot-dash circle.

The broken lines in the drawings illustrate unclaimed environmental structures and a holder for a LED lamp, which form no part of the claimed design.

**1 Claim, 6 Drawing Sheets**



# US D654,618 S

Page 2

## U.S. PATENT DOCUMENTS

D132,296 S \* 5/1942 Hoeveler ..... D26/122  
D168,162 S 11/1952 Lague  
2,741,694 A \* 4/1956 Wiig et al. .... 362/340  
3,125,301 A \* 3/1964 Stotter ..... 362/217.06  
3,307,026 A 2/1967 Kramer  
D224,139 S 7/1972 Annichini  
3,992,618 A 11/1976 Matthews et al.  
D271,045 S 10/1983 Tamblyn  
D281,725 S 12/1985 Schreiner  
4,933,821 A \* 6/1990 Anderson ..... 362/223  
D316,613 S \* 4/1991 Stein ..... D26/122  
D318,536 S 7/1991 Jones et al.  
D337,011 S 7/1993 Duffy et al.  
5,414,604 A \* 5/1995 Anderson ..... 362/217.07  
D376,031 S 11/1996 Burch  
6,053,624 A \* 4/2000 Cronk ..... 362/347  
6,203,175 B1 3/2001 Basacchi

6,231,209 B1 \* 5/2001 Leibig et al. .... 362/219  
D461,022 S \* 7/2002 Eberlein et al. .... D26/118  
D490,927 S \* 6/2004 Keller ..... D26/77  
D544,138 S \* 6/2007 Hargreaves ..... D26/118  
D545,996 S \* 7/2007 Hargreaves ..... D26/118  
D582,598 S 12/2008 Kramer et al.  
D582,602 S \* 12/2008 Maxik et al. .... D26/118  
D627,095 S \* 11/2010 Miyairi et al. .... D26/120  
2005/0007778 A1 1/2005 Lin

## FOREIGN PATENT DOCUMENTS

JP 1323089 3/2008

## OTHER PUBLICATIONS

Japanese Office Action dated May 13, 2011. (2010-022935).

\* cited by examiner

FIGURE 1

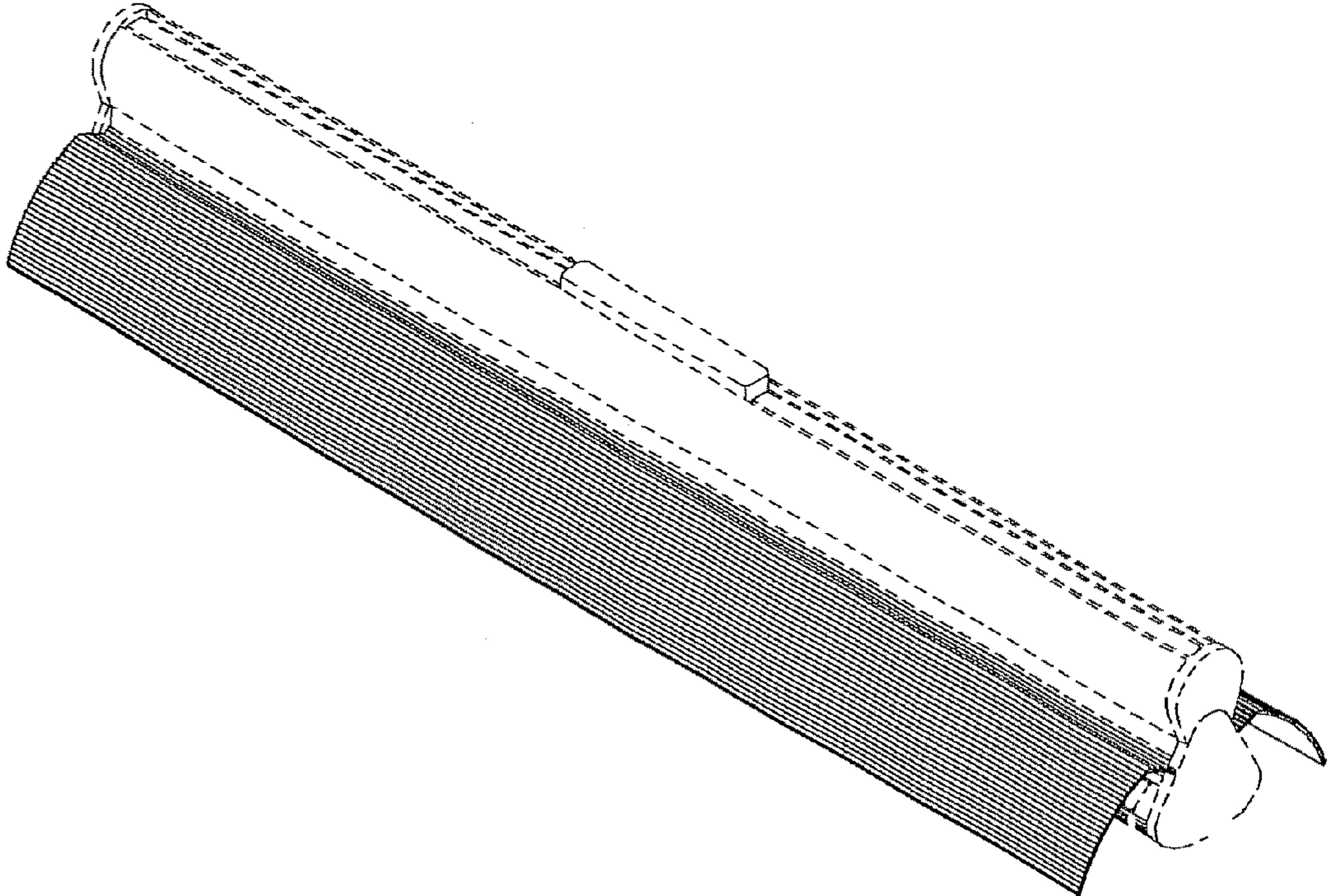


FIGURE 2

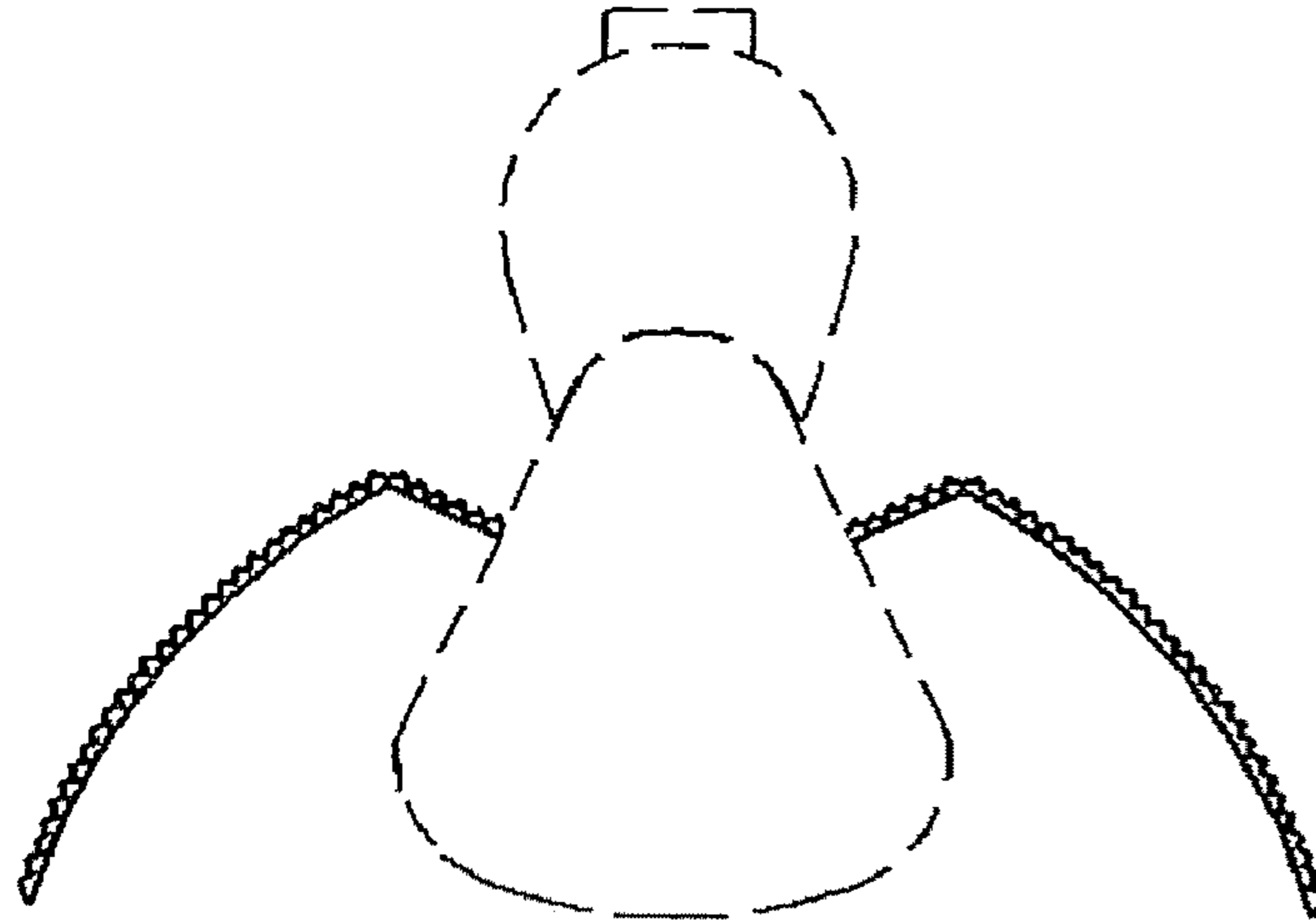


FIGURE 3

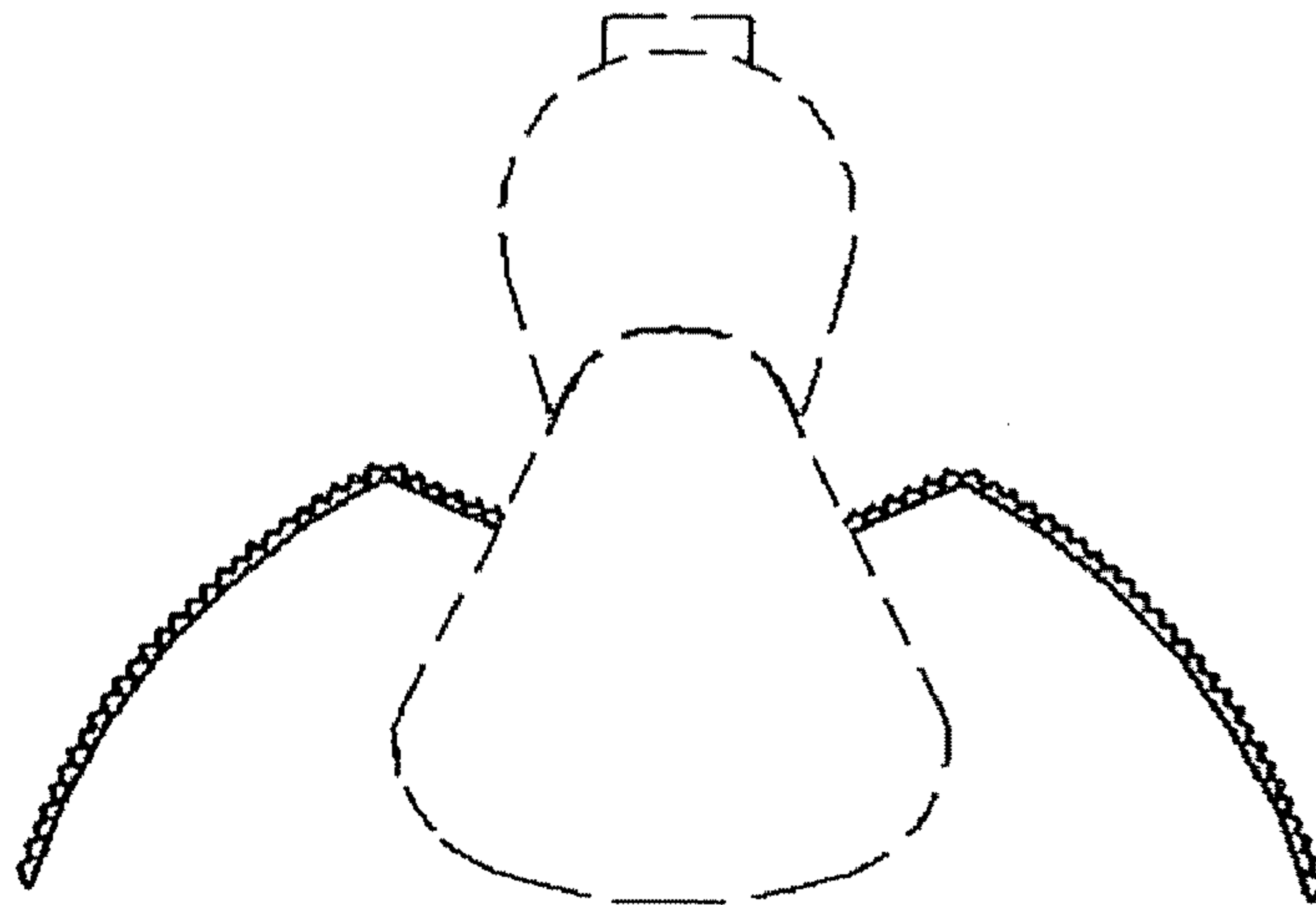


FIGURE 4

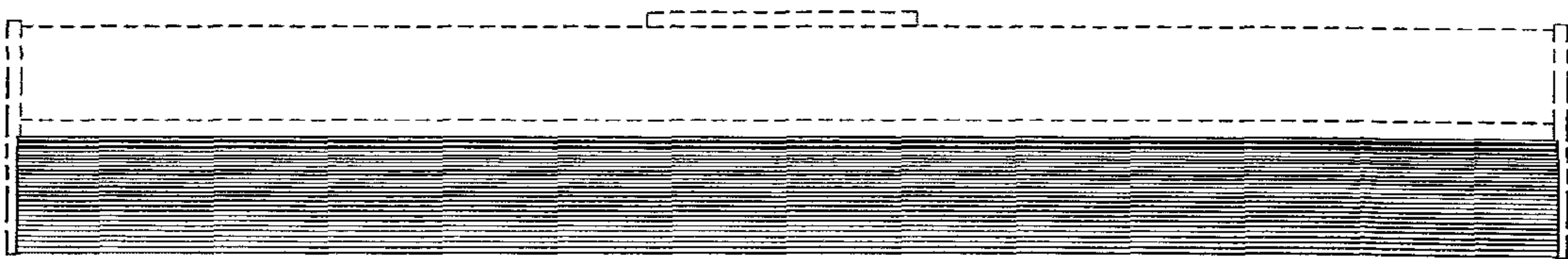


FIGURE 5

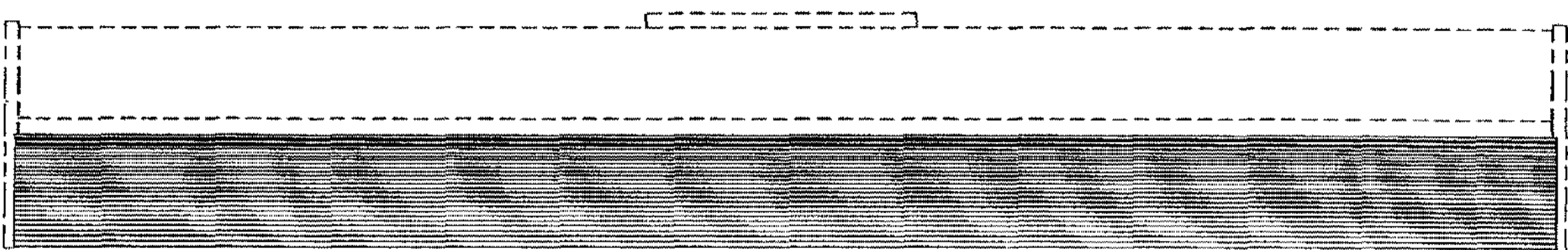


FIGURE 6

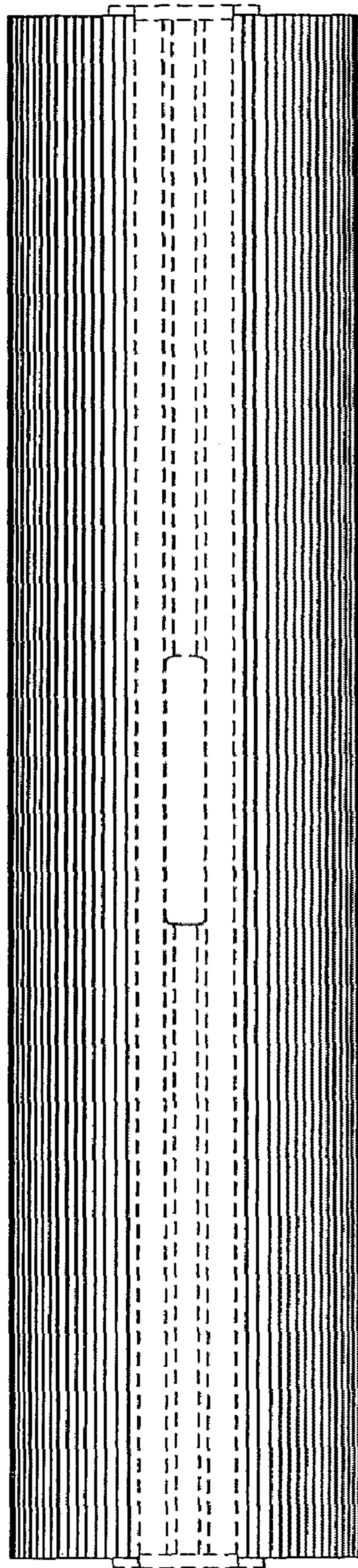


FIGURE 7

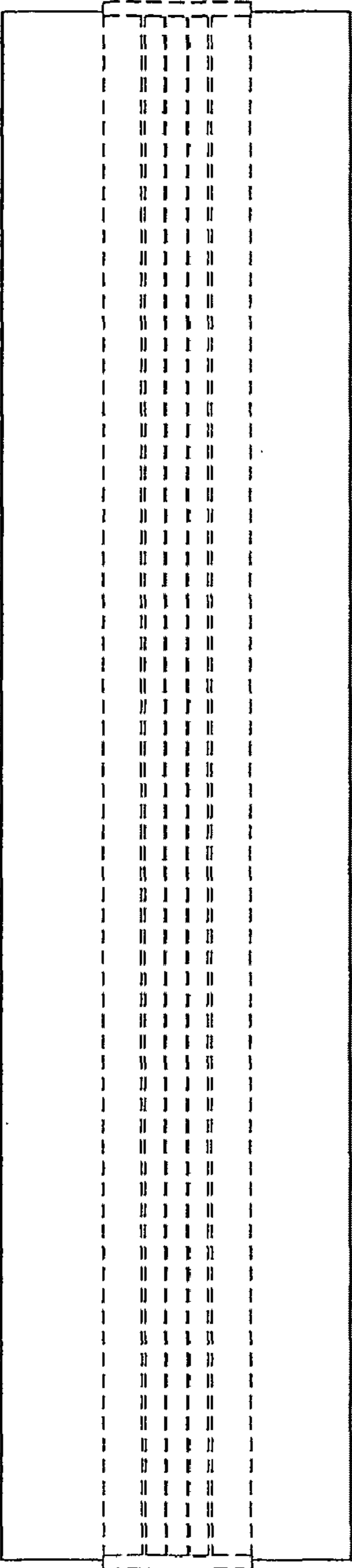


FIGURE 8

