



US00D654617S

(12) **United States Design Patent**
Marquardt et al.

(10) **Patent No.:** **US D654,617 S**

(45) **Date of Patent:** **** Feb. 21, 2012**

(54) **REFLECTOR FOR A LUMINAIRE**
(75) Inventors: **Craig Eugene Marquardt**, Covington, GA (US); **Heather Waugh**, Louisville, CO (US); **Xin Zhang**, Atlanta, GA (US)

(73) Assignee: **ABL IP Holding LLC**, Conyers, GA (US)

(**) Term: **14 Years**

(21) Appl. No.: **29/385,512**

(22) Filed: **Feb. 15, 2011**

(51) **LOC (9) Cl.** **26-99**

(52) **U.S. Cl.** **D26/120**

(58) **Field of Classification Search** D26/118, D26/120, 138, 76, 78, 86, 2, 72, 67, 89, 60, D26/74, 81, 85, 113, 119, 122, 128, 129, D26/140, 142, 145, 152, 132, 93, 94, 3, 154, D26/87, 42, 37; D34/29; 315/194, 51; 362/612, 362/307, 294, 545, 555, 146, 145, 396, 362, 362/260; 165/185, 121, 80.3; D12/162; D8/354, 355, 356, 363, 373, 349, 376; 16/340; D13/179, 180, 134; D25/163, 157, 158
See application file for complete search history.

(56) **References Cited**

U.S. PATENT DOCUMENTS

D47,642 S *	7/1915	Dixon	D26/132
D103,428 S *	3/1937	Guth	D26/88
D115,971 S *	8/1939	Stewart	D26/123
2,329,557 A *	9/1943	Rolph	362/268
D262,914 S *	2/1982	Kristofek	D26/135
D297,717 S *	9/1988	Chu	D10/104.1
D350,409 S *	9/1994	Johnson et al.	D26/86
D389,597 S *	1/1998	Gismondi	D26/74
D400,170 S *	10/1998	Asai et al.	D13/133

6,447,145 B1 *	9/2002	Thomas et al.	362/267
D468,051 S *	12/2002	Gaskins et al.	D26/123
6,543,911 B1 *	4/2003	Rizkin et al.	362/307
D508,062 S *	8/2005	Rashidi	D16/134
D509,007 S *	8/2005	Shimada	D26/28
D520,143 S *	5/2006	Yoneda	D24/209
D541,975 S *	5/2007	Isaacson et al.	D26/128
7,347,590 B2 *	3/2008	Lee et al.	362/327
D568,830 S *	5/2008	Park et al.	D13/180
D574,551 S *	8/2008	Park	D26/120
D588,300 S *	3/2009	Sabernig	D26/89
7,513,656 B2 *	4/2009	Park et al.	362/333
7,554,742 B2 *	6/2009	Chinniah et al.	359/641
D619,754 S *	7/2010	Lai et al.	D26/124
D619,755 S *	7/2010	Lai et al.	D26/124
D619,756 S *	7/2010	Lai et al.	D26/124

(Continued)

Primary Examiner — Kevin Rudzinski

(74) *Attorney, Agent, or Firm* — Kilpatrick Townsend & Stockton LLP

(57) **CLAIM**

The ornamental design for a reflector for a luminaire, as shown and described.

DESCRIPTION

FIG. 1 is a top perspective view of a reflector for a luminaire showing our new invention.

FIG. 2 is a bottom perspective view of the reflector of FIG. 1.

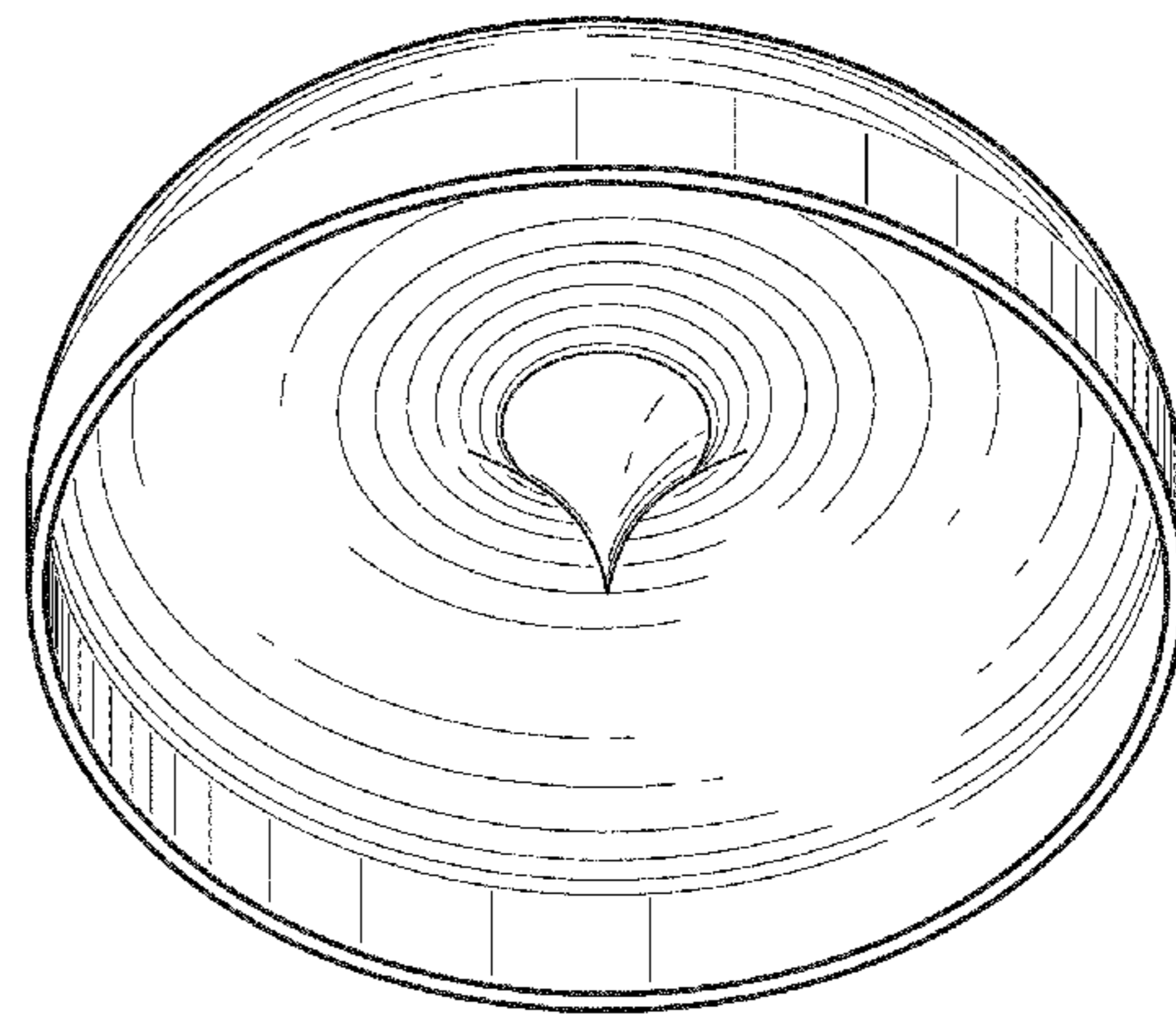
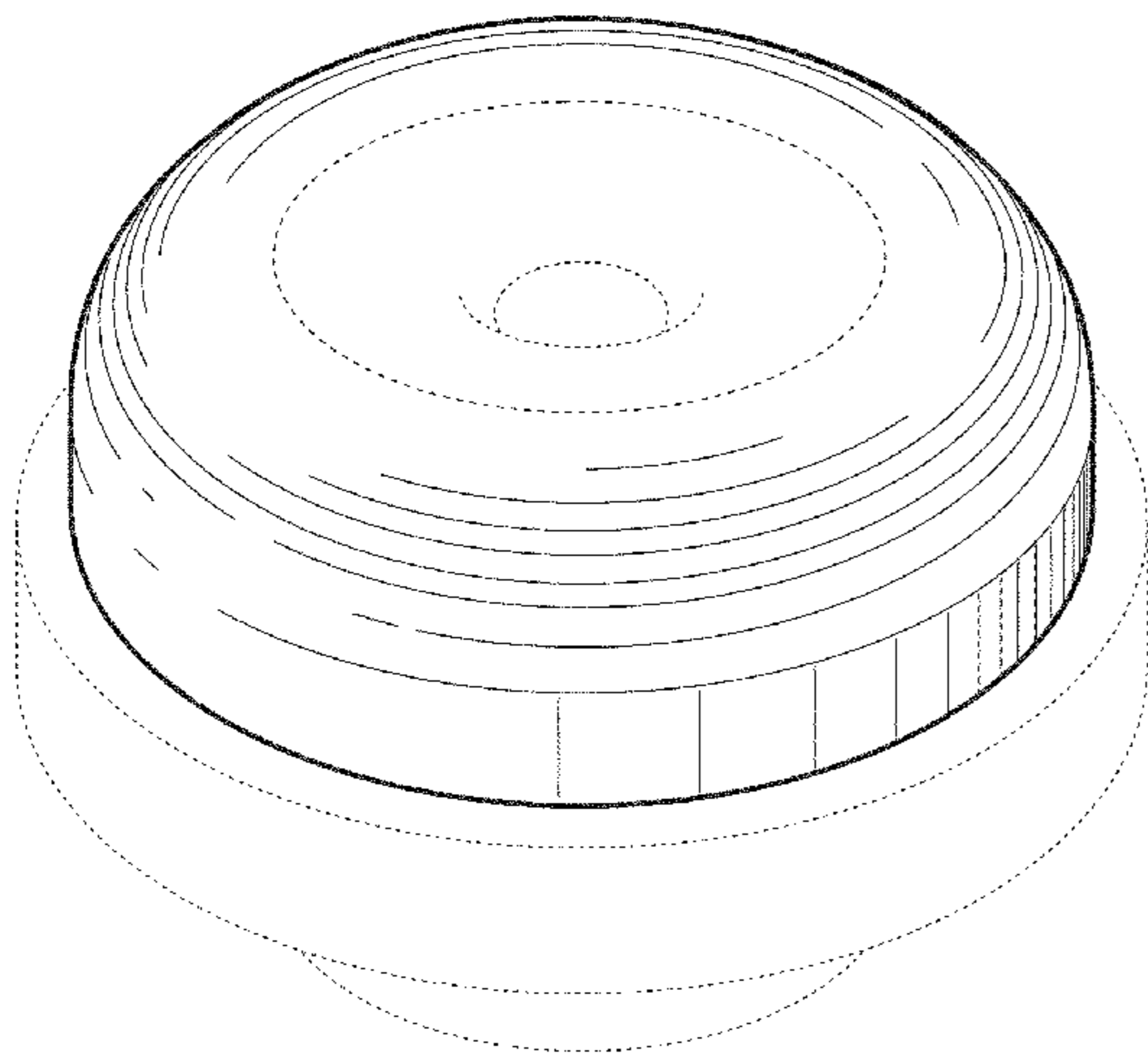
FIG. 3 is a side elevation view of the reflector of FIG. 1.

FIG. 4 is a top plan view of the reflector of FIG. 1; and,

FIG. 5 is a bottom plan view of the reflector of FIG. 1.

Portions or features of the reflector not shown in the drawings form no part of the claimed design. The broken lines shown in the drawings illustrate environmental structure and unclaimed portions of the reflector for a luminaire and form no part of the claimed design.

1 Claim, 3 Drawing Sheets



US D654,617 S

Page 2

U.S. PATENT DOCUMENTS

D623,610	S *	9/2010	Mallory et al.	D13/180	2005/0024744	A1 *	2/2005	Falicoff et al.	359/737
D624,948	S *	10/2010	Lai et al.	D16/134	2005/0263785	A1 *	12/2005	Kim et al.	257/100
D626,523	S *	11/2010	Mallory et al.	D13/180	2006/0067079	A1 *	3/2006	Noh et al.	362/327
D628,737	S *	12/2010	van den Akker	D26/89	2007/0070530	A1 *	3/2007	Seo et al.	359/819
D632,834	S *	2/2011	Kon	D26/124	2008/0174690	A1 *	7/2008	Chang	348/345
2001/0051413	A1 *	12/2001	Chantre et al.	438/364	2008/0297918	A1 *	12/2008	Park et al.	359/709
2003/0063474	A1 *	4/2003	Coushaine	362/517	2009/0129097	A1 *	5/2009	Ewert et al.	362/328

* cited by examiner

FIG. 1

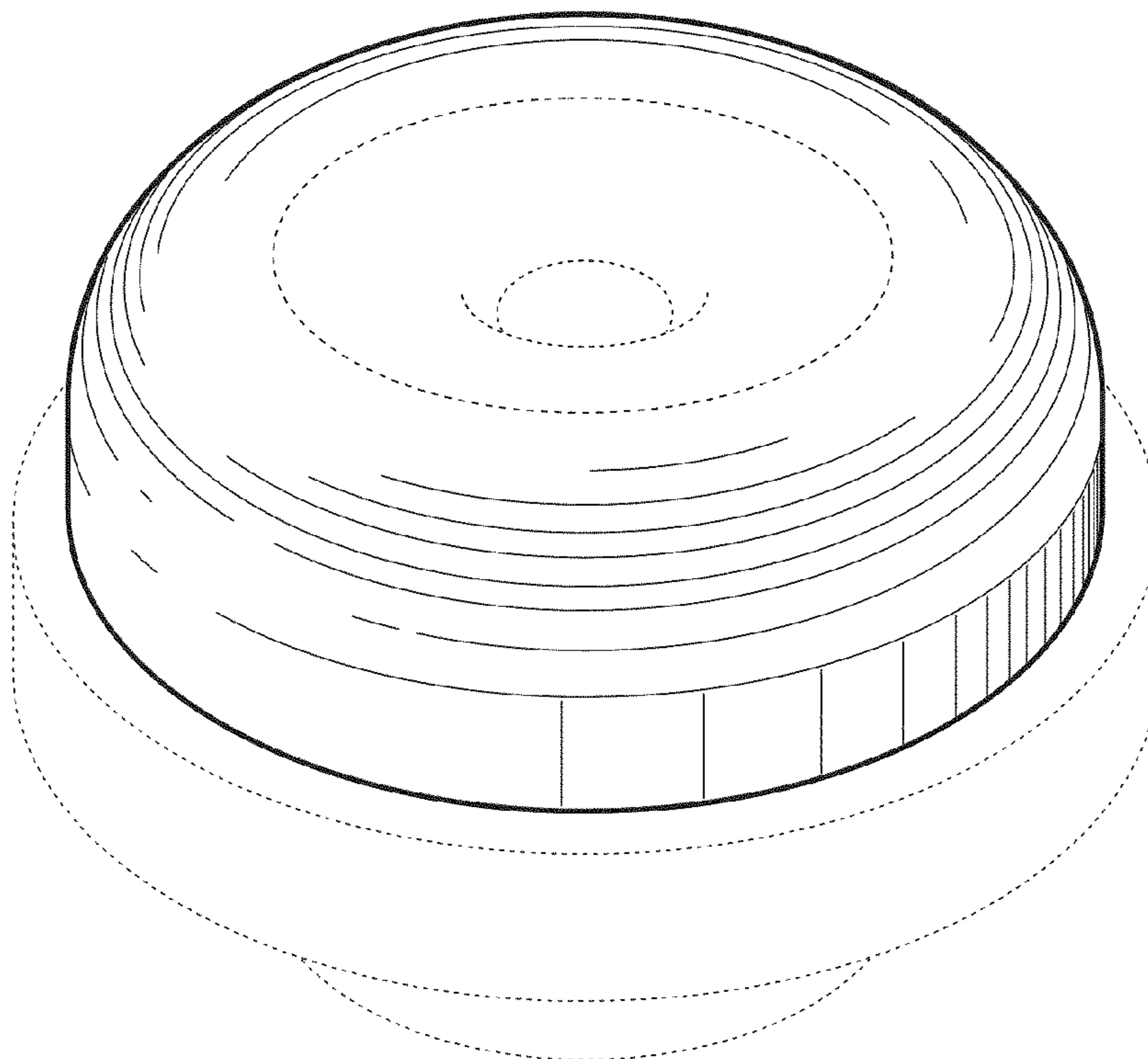
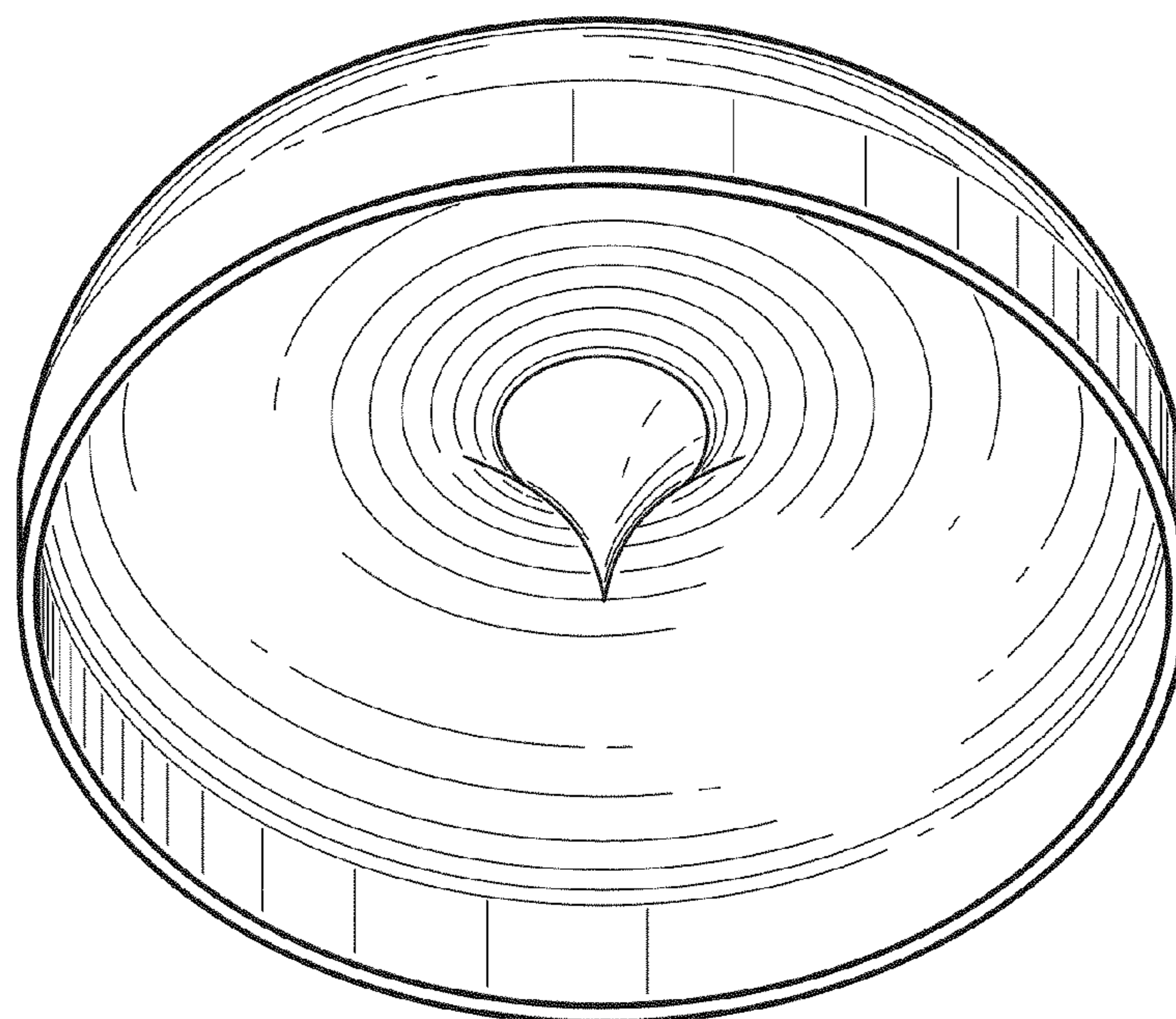


FIG. 2



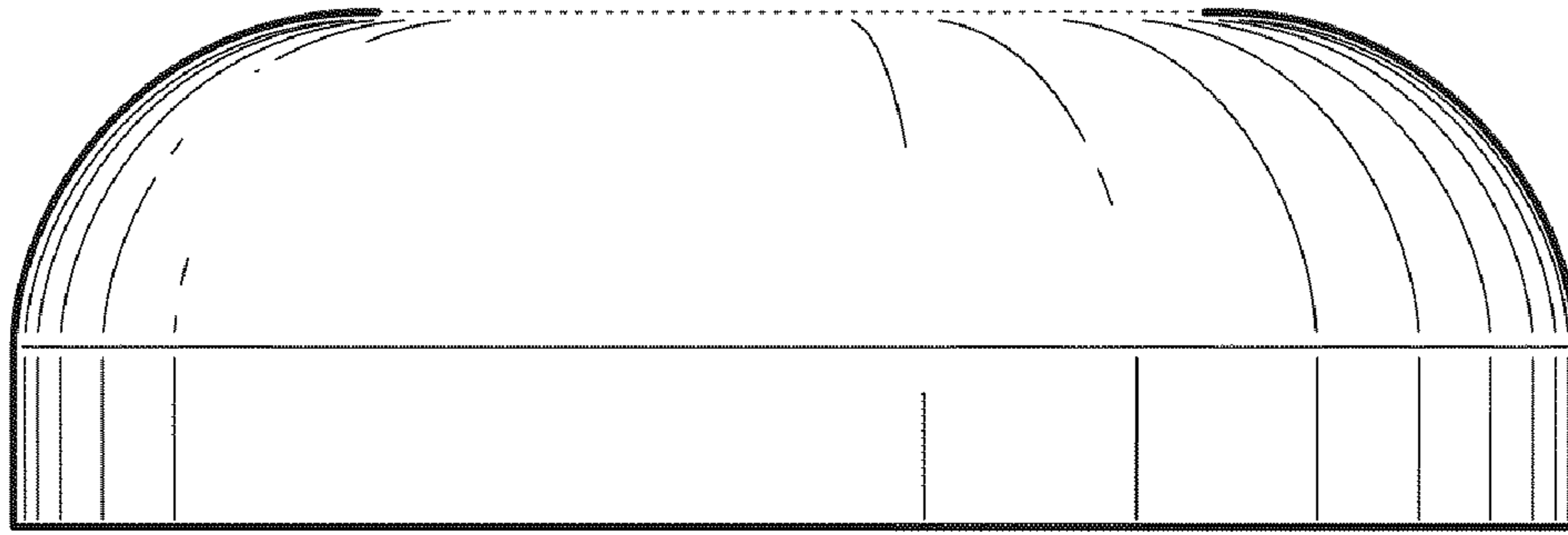


FIG. 3

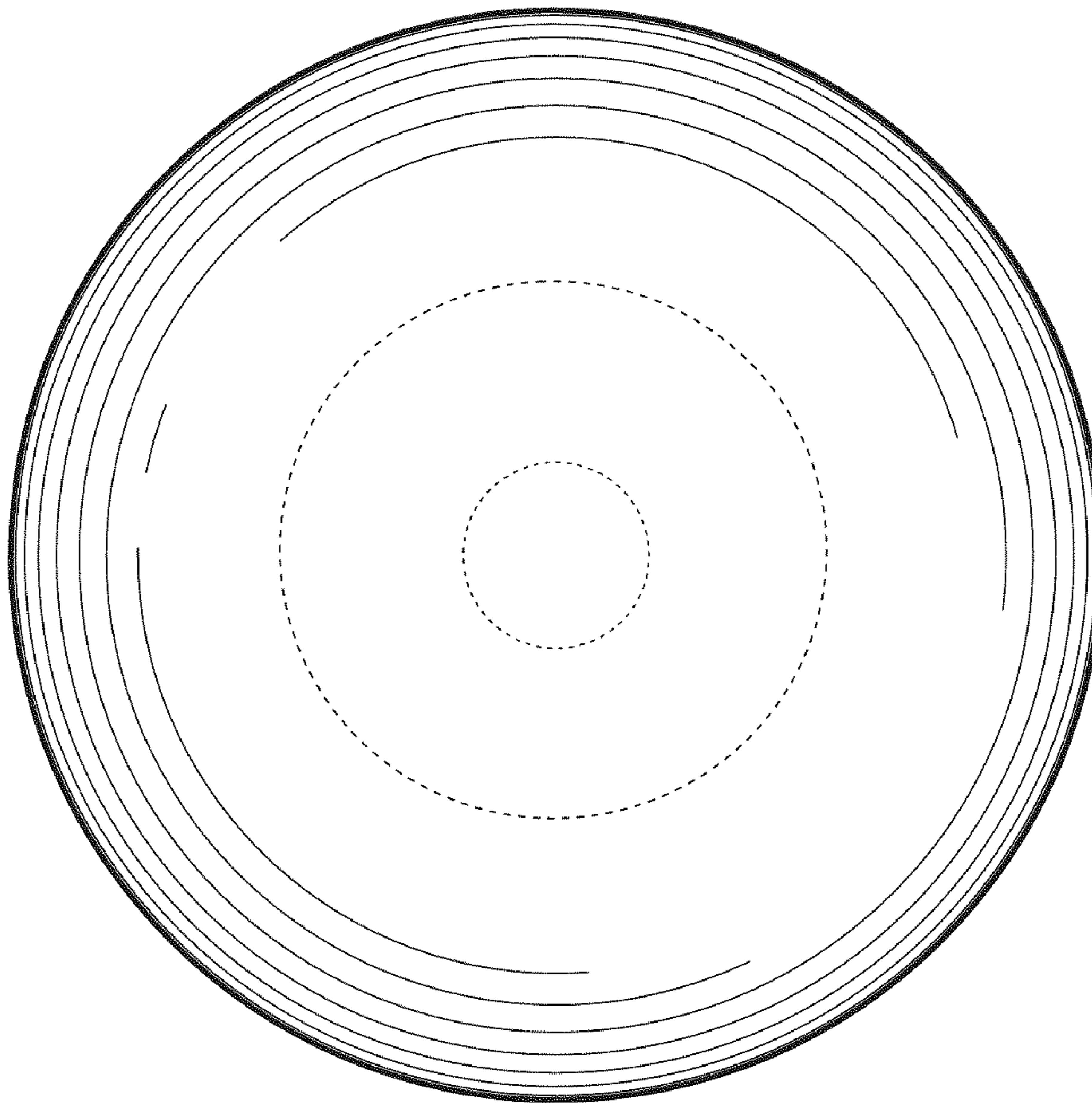


FIG. 4

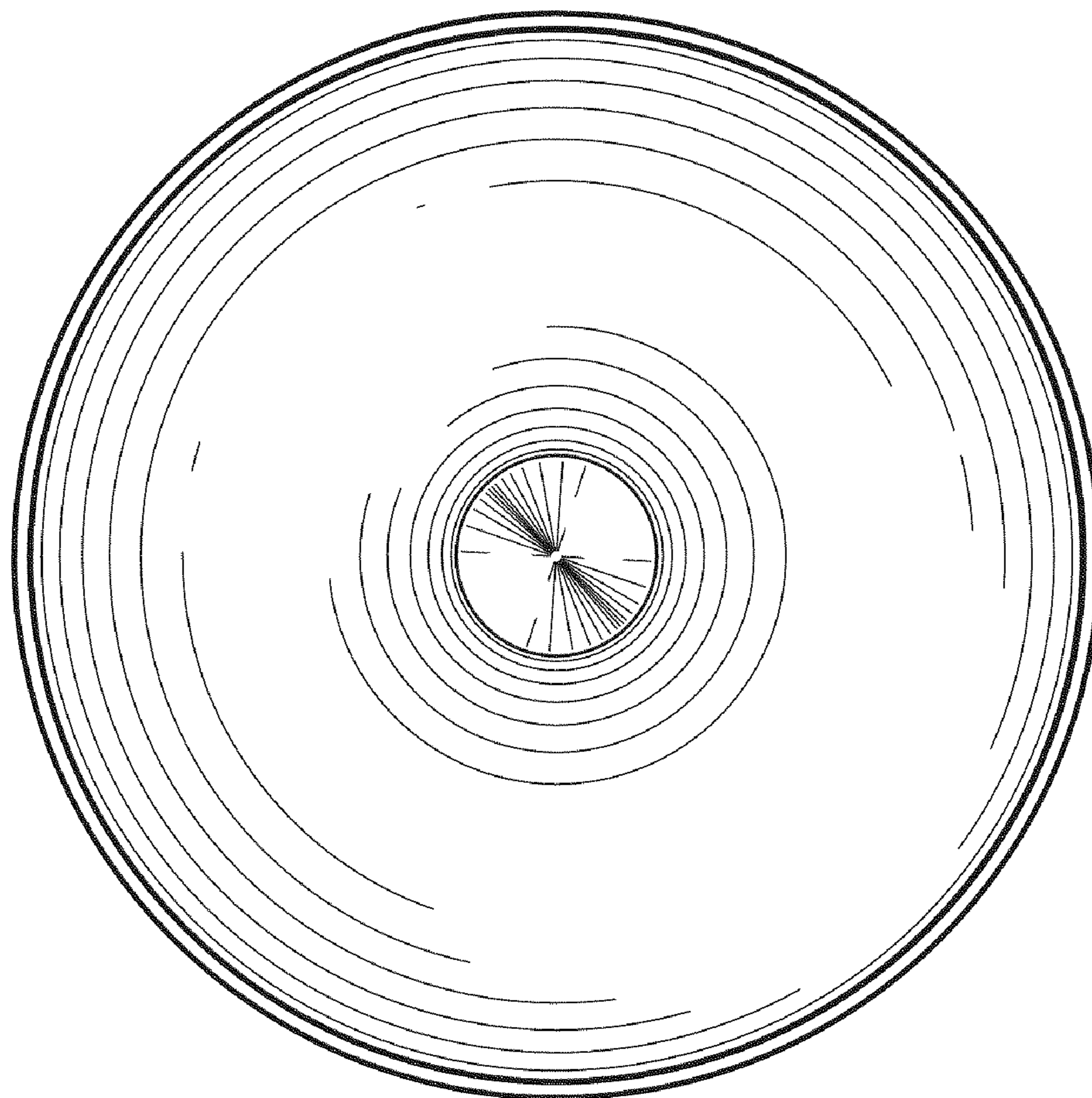


FIG. 5