



US00D654615S

(12) **United States Design Patent**
Chen

(10) **Patent No.:** **US D654,615 S**

(45) **Date of Patent:** **** Feb. 21, 2012**

(54) **CEILING LAMP**

(76) Inventor: **Chia-Teh Chen**, Taipei (TW)

(**) Term: **14 Years**

(21) Appl. No.: **29/383,979**

(22) Filed: **Jan. 25, 2011**

(51) **LOC (9) Cl.** **26-03**

(52) **U.S. Cl.** **D26/89**

(58) **Field of Classification Search** D26/72,
D26/75, 76, 79, 80, 83, 85, 86, 88, 89, 91,
D26/120, 134–136; 362/147, 294, 351, 356,
362/453–457, 404–408, 432, 249.02

See application file for complete search history.

(56) **References Cited**

U.S. PATENT DOCUMENTS

D35,684 S *	2/1902	Mygatt	D26/134
D35,756 S *	2/1902	Mygatt	D26/134
D43,166 S *	10/1912	Schepmoes	D26/89
D43,652 S *	2/1913	Schepmoes	D26/89
D49,242 S *	6/1916	Wagner et al.	D26/72
D49,563 S *	8/1916	Bayley	D26/89
D376,030 S *	11/1996	Cohen	D26/134

D556,366 S *	11/2007	Shurtleff	D26/136
D563,591 S *	3/2008	Hsu	D26/89
D567,428 S *	4/2008	Badarello	D26/89
D567,992 S *	4/2008	Nicholas	D26/89
D627,917 S *	11/2010	Hanna et al.	D26/89

* cited by examiner

Primary Examiner — Clare E Heflin

(74) *Attorney, Agent, or Firm* — Rosenberg, Klein & Lee

(57) **CLAIM**

The ornamental design for a “ceiling lamp,” as shown and described.

DESCRIPTION

FIG. 1 is a perspective view of a “ceiling lamp” showing my design;

FIG. 2 is a front view thereof;

FIG. 3 is a rear view thereof;

FIG. 4 is a left side view thereof;

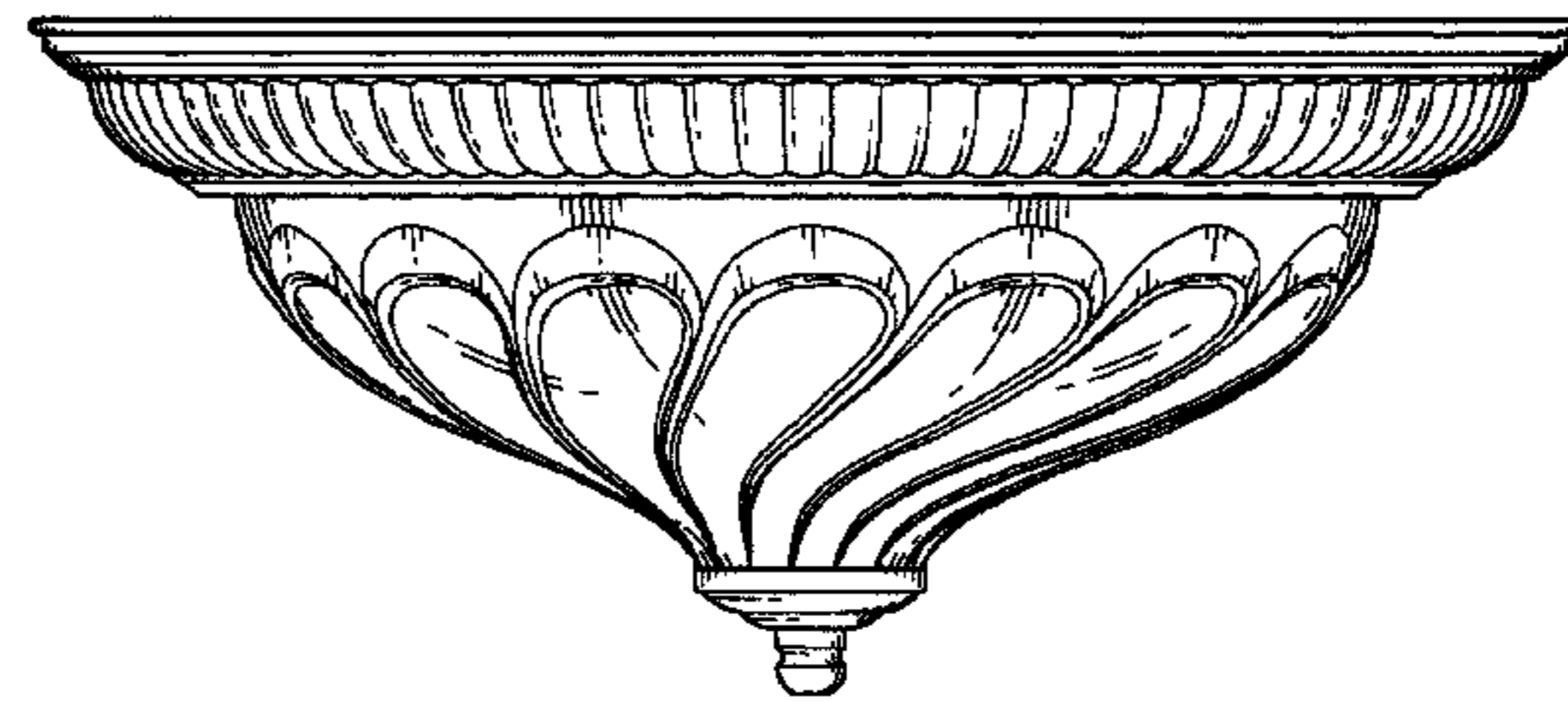
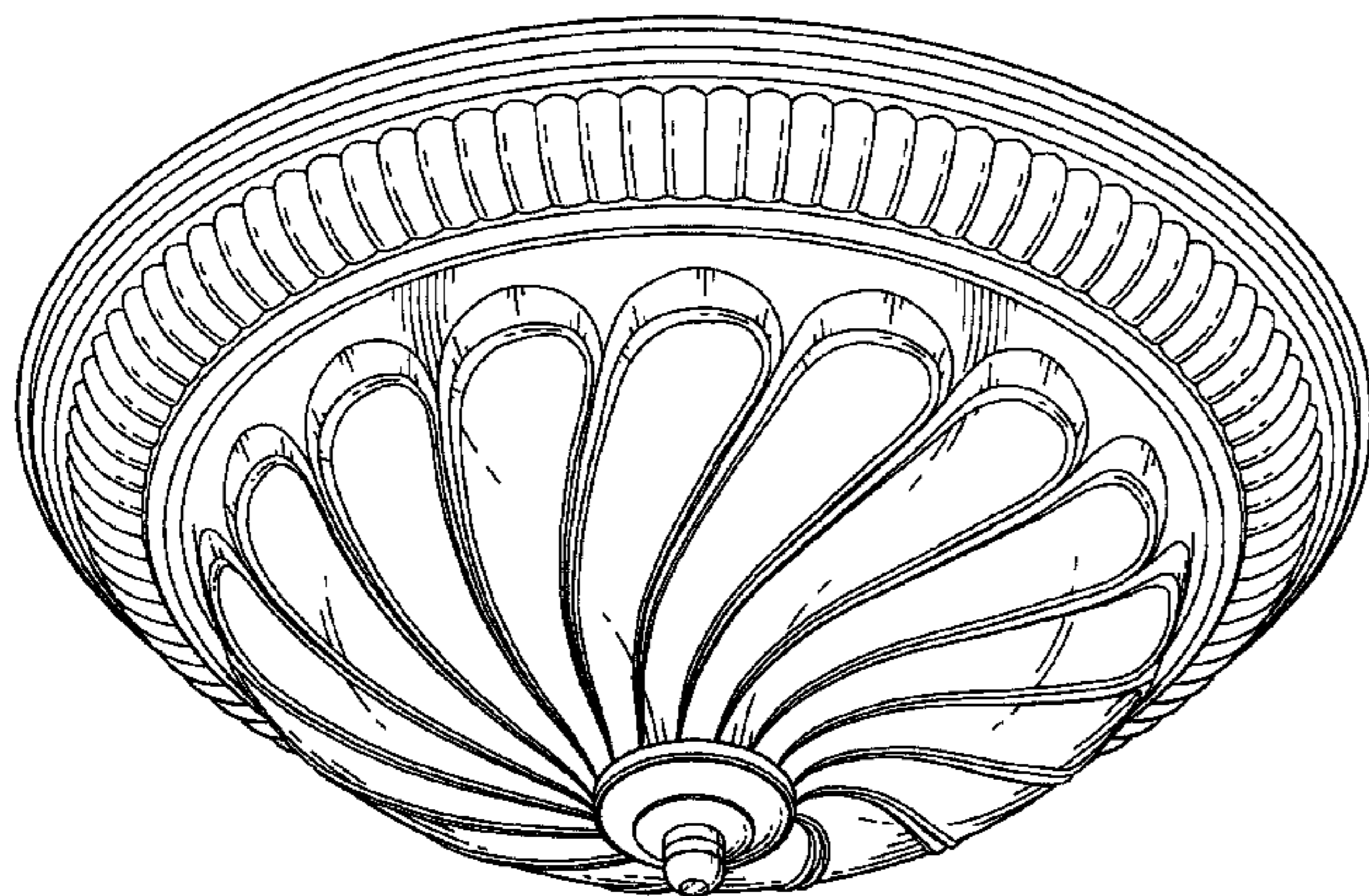
FIG. 5 is a right side view thereof;

FIG. 6 is a top view thereof;

FIG. 7 is a bottom view thereof; and,

FIG. 8 is a perspective view viewed from another visual angle.

1 Claim, 8 Drawing Sheets



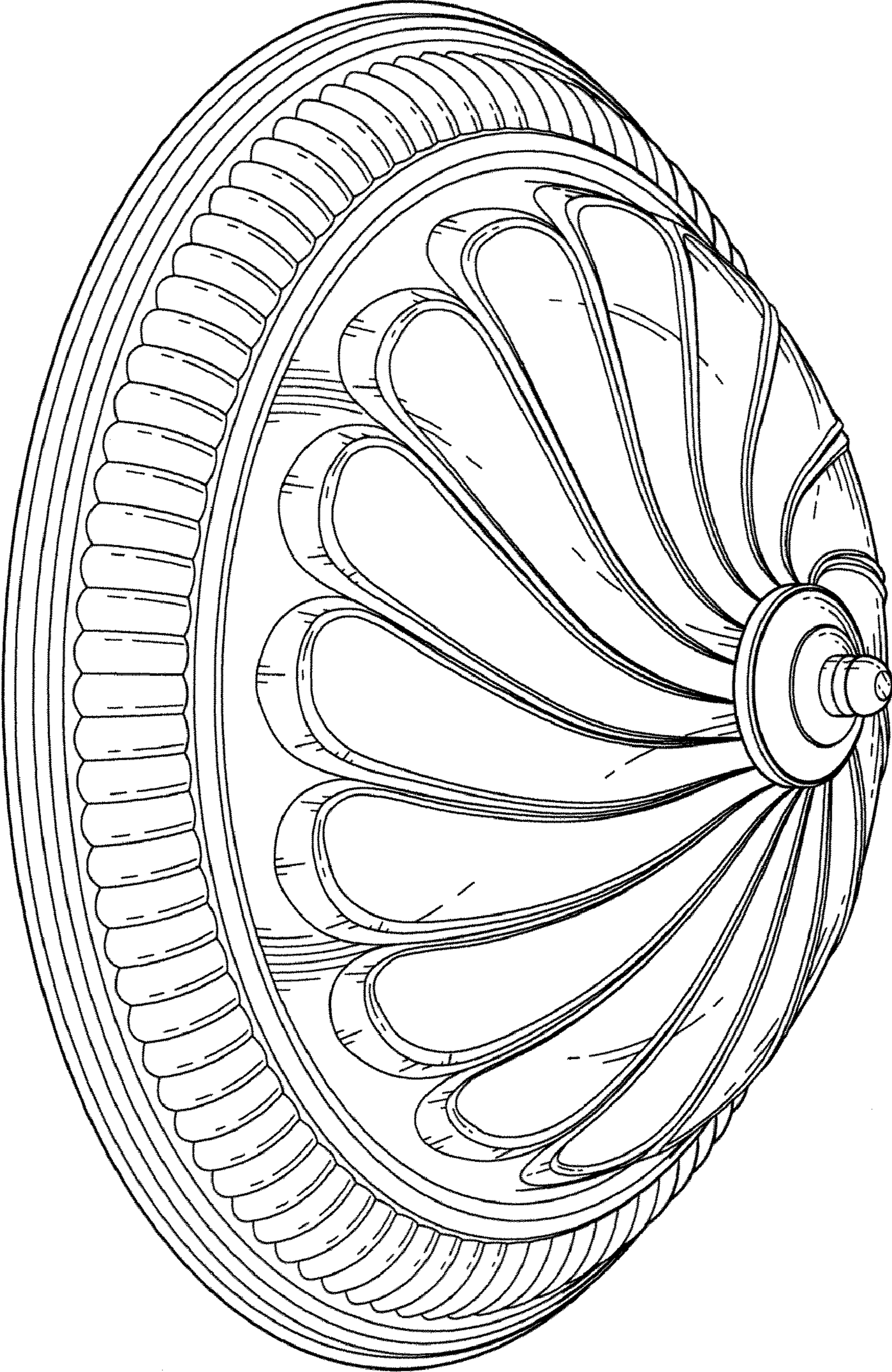


FIG. 1

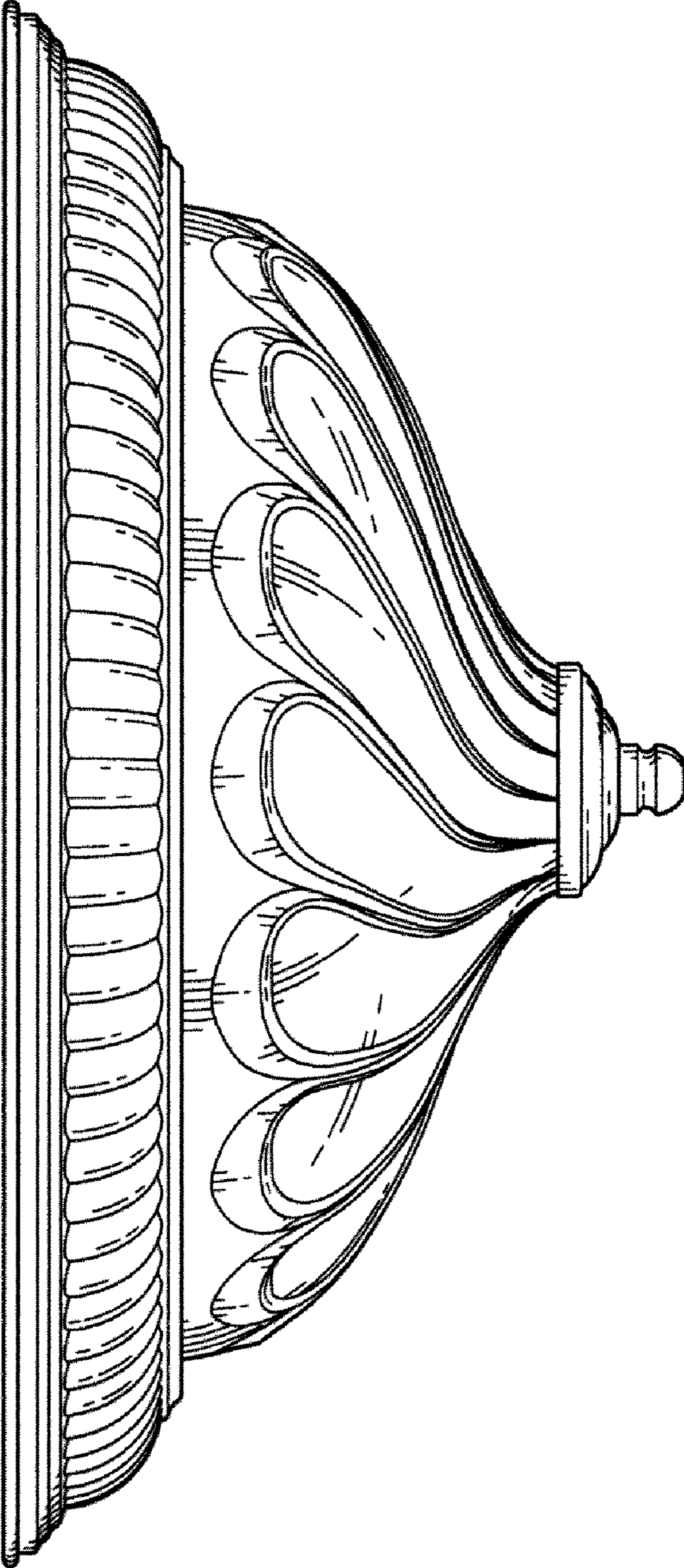


FIG. 2

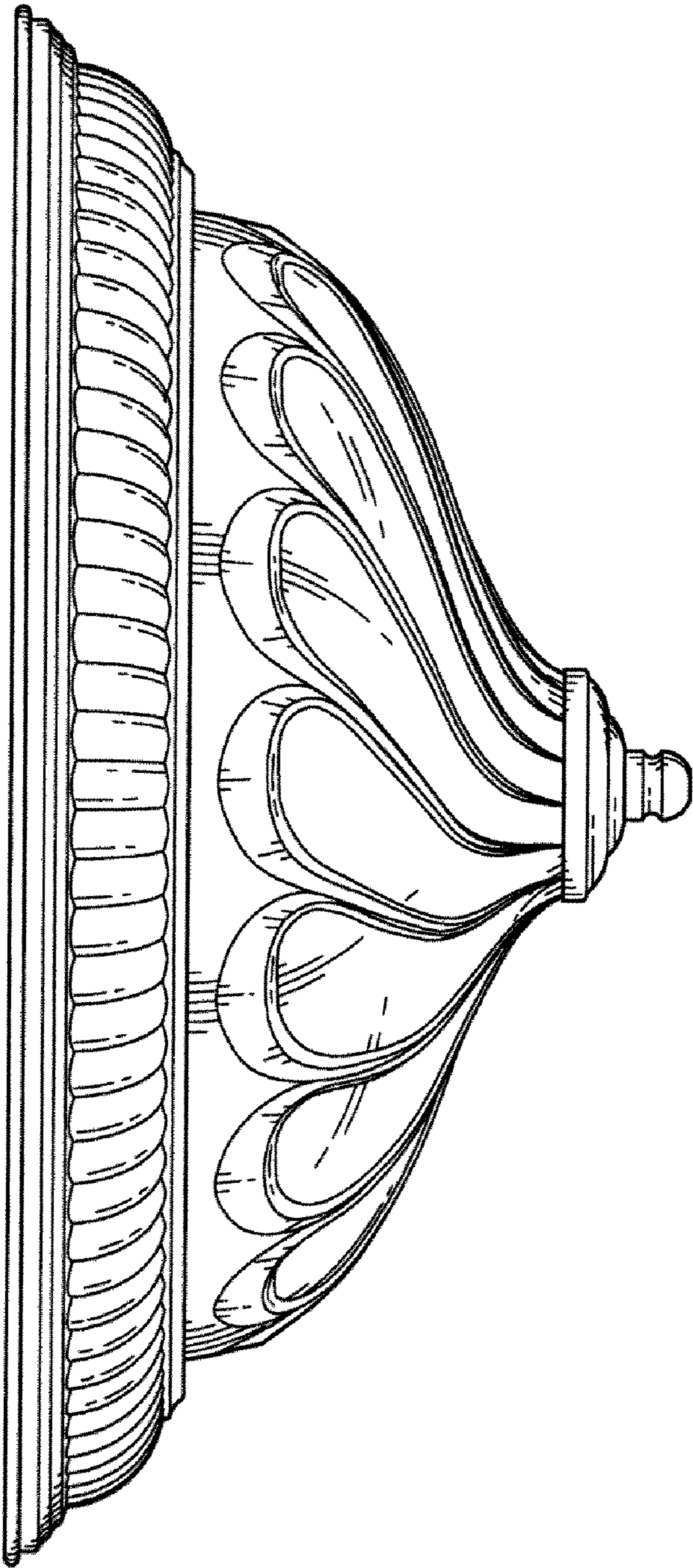


FIG. 3

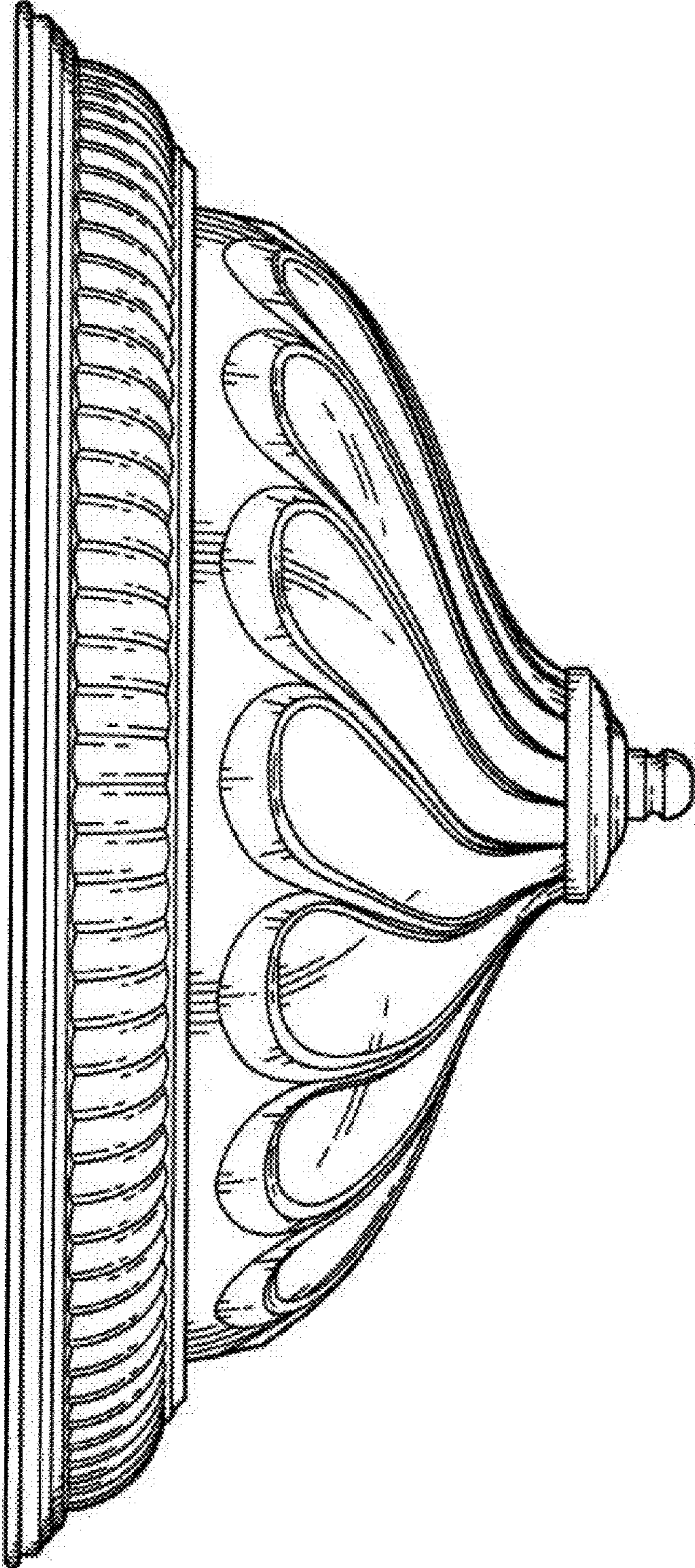


FIG. 4

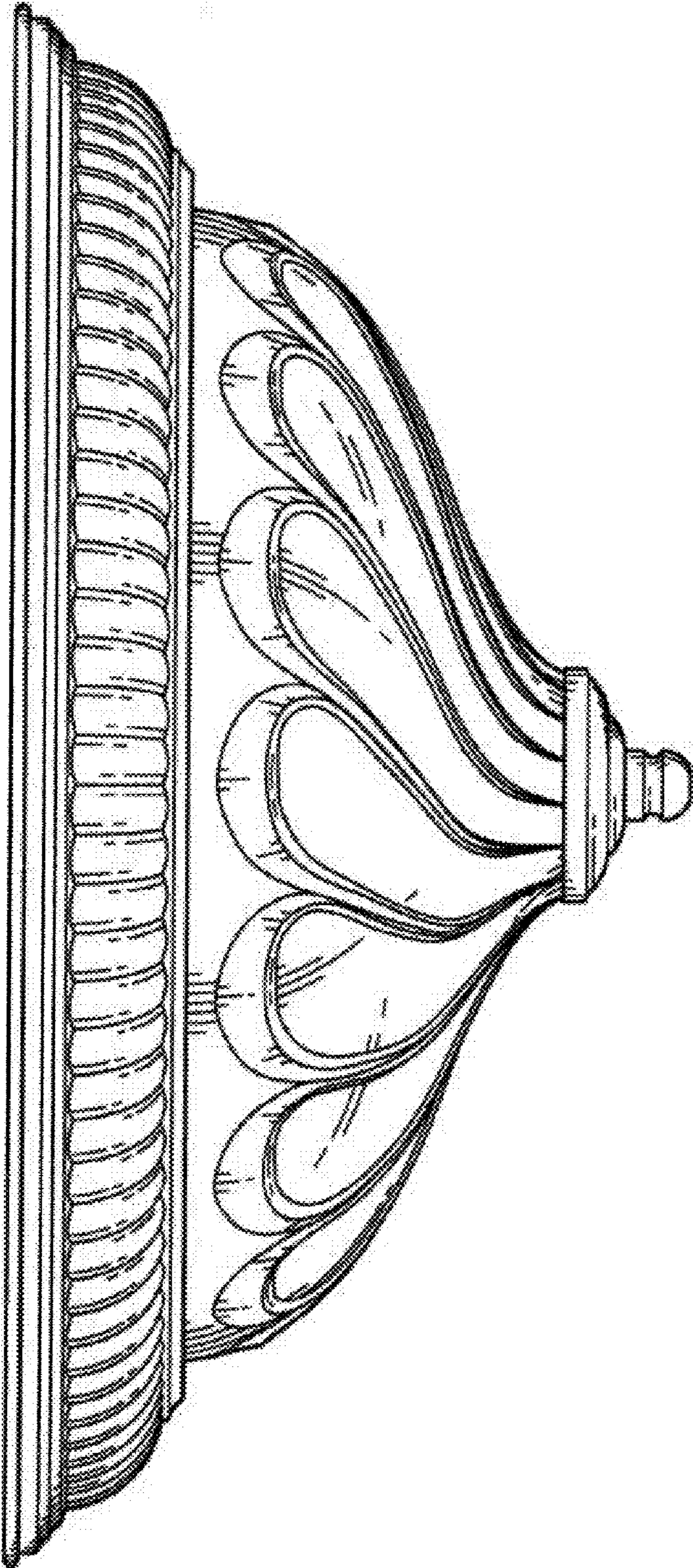


FIG. 5

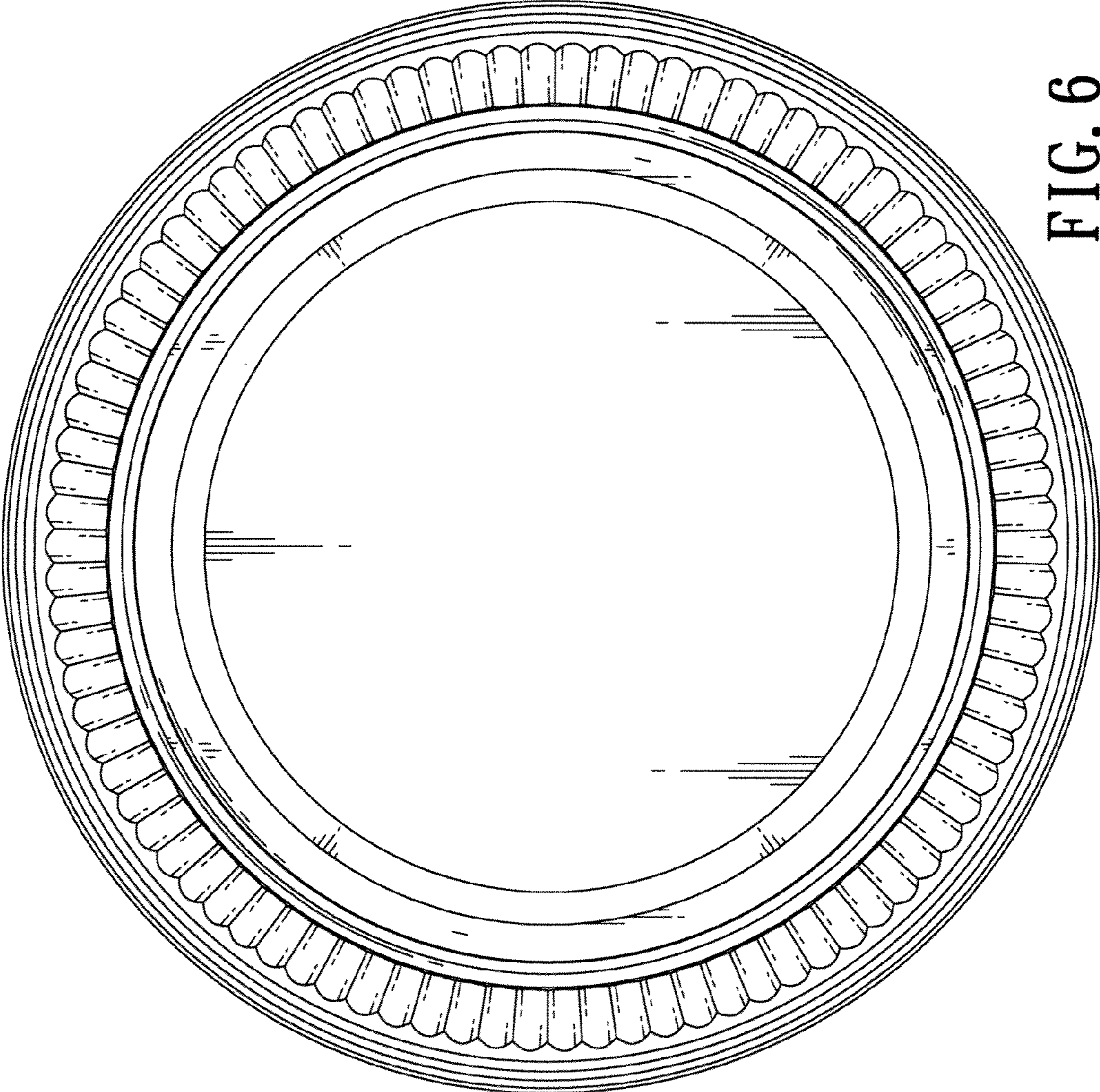


FIG. 6

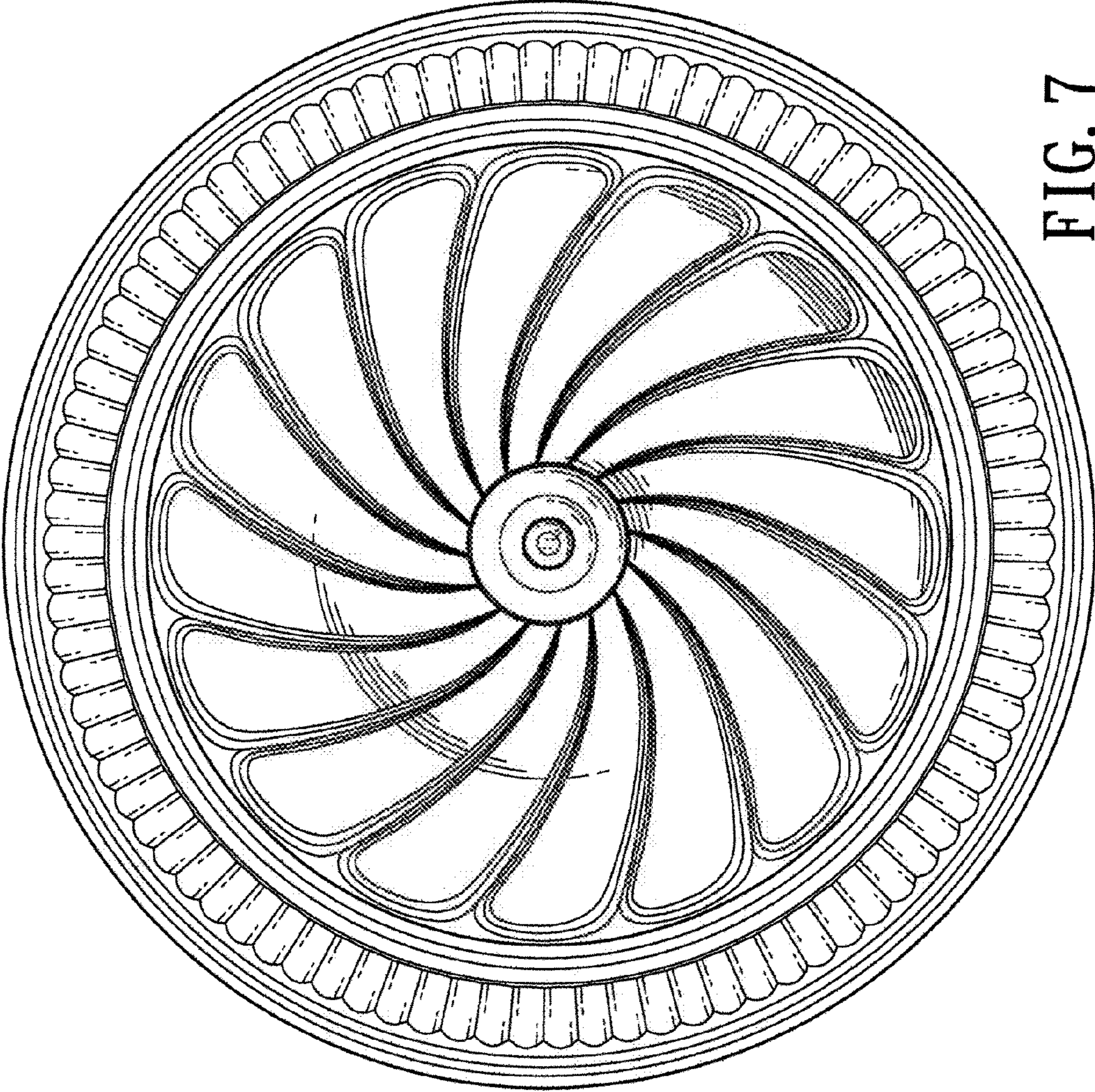


FIG. 7

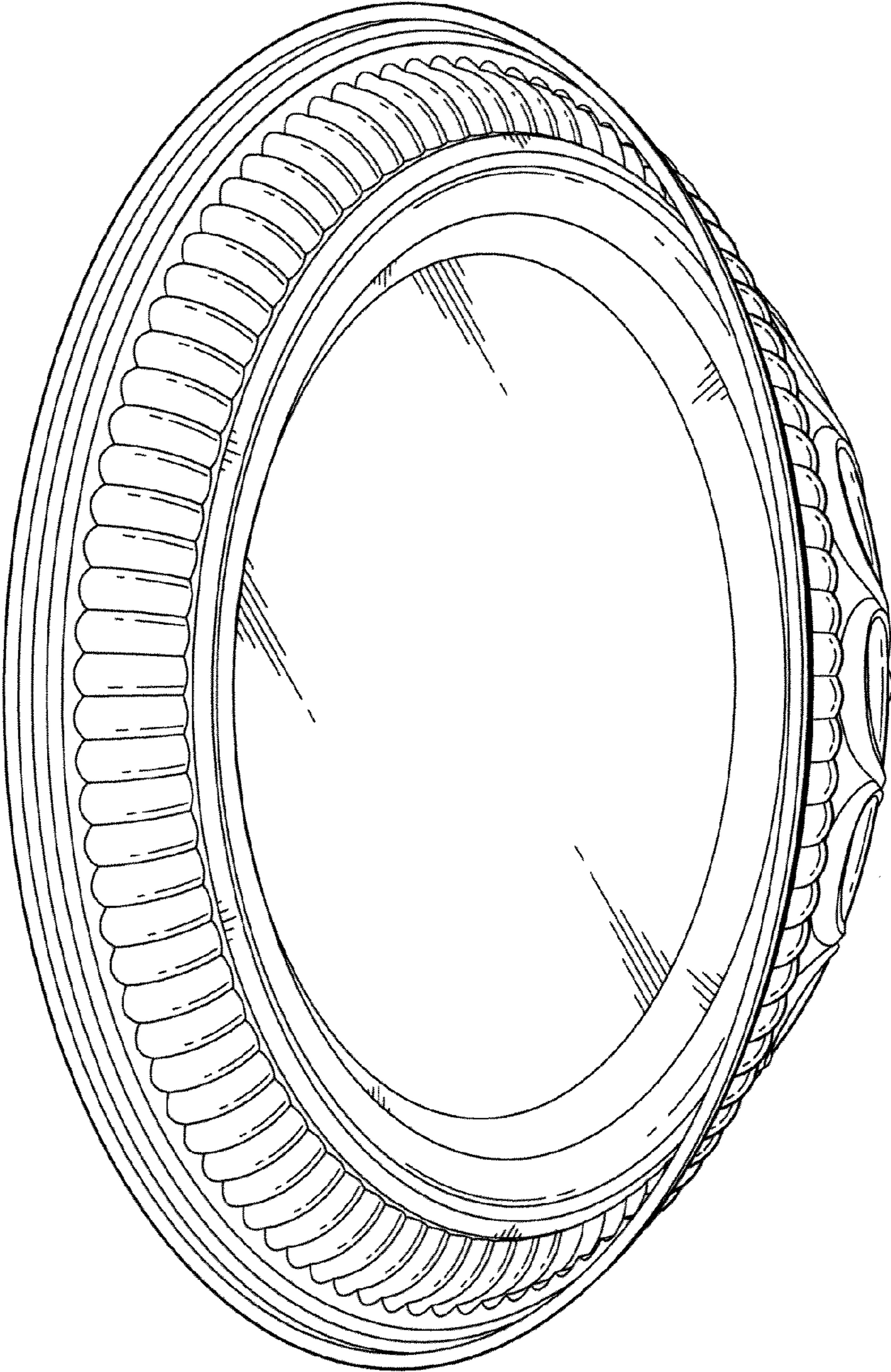


FIG. 8