



US00D654613S

(12) **United States Design Patent**
Beghelli

(10) **Patent No.:** **US D654,613 S**

(45) **Date of Patent:** **** Feb. 21, 2012**

(54) **LIGHTING APPARATUS**

(75) Inventor: **Gian Pietro Beghelli**, Monteveglio (IT)

(73) Assignee: **Beghelli S.p.A.**, Monteveglio (Bologna)
(IT)

(**) Term: **14 Years**

(21) Appl. No.: **29/379,639**

(22) Filed: **Nov. 22, 2010**

(30) **Foreign Application Priority Data**

May 20, 2010 (EM) 001709973-0001

(51) **LOC (9) Cl.** **26-05**

(52) **U.S. Cl.** **D26/85**

(58) **Field of Classification Search** D26/67-71,
D26/85, 92; 362/147, 152, 310, 431, 432
See application file for complete search history.

(56) **References Cited**

U.S. PATENT DOCUMENTS

D252,833 S *	9/1979	Bowser	D26/85
D292,525 S *	10/1987	Van Deelen	D26/85
D298,360 S *	11/1988	Dacanay et al.	D26/85
D542,958 S *	5/2007	Lodhie et al.	D26/67
D569,031 S *	5/2008	Friedman et al.	D26/85

D580,582 S *	11/2008	Fan	D26/71
D586,030 S *	2/2009	Genova	D26/85
D612,974 S *	3/2010	Guercio et al.	D26/85
D615,234 S *	5/2010	Oblak	D26/71
D626,270 S *	10/2010	Waldmann	D26/85
D626,272 S *	10/2010	Verelst	D26/85
D627,916 S *	11/2010	Butteris et al.	D26/85
D642,727 S *	8/2011	van den Akker	D26/85

* cited by examiner

Primary Examiner — Clare E Heflin

(74) *Attorney, Agent, or Firm* — Hedman & Costigan, P.C.;
James V. Costigan

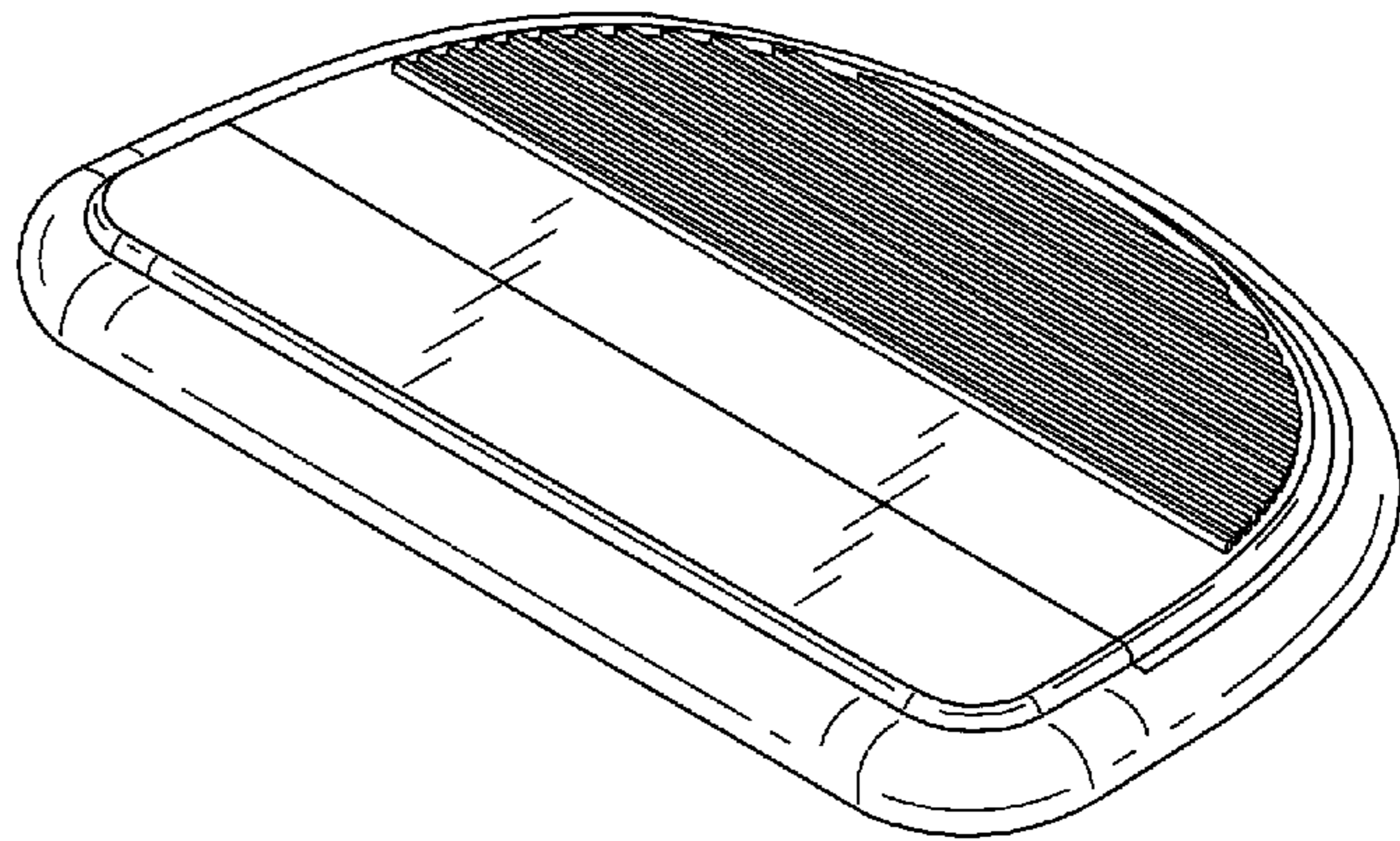
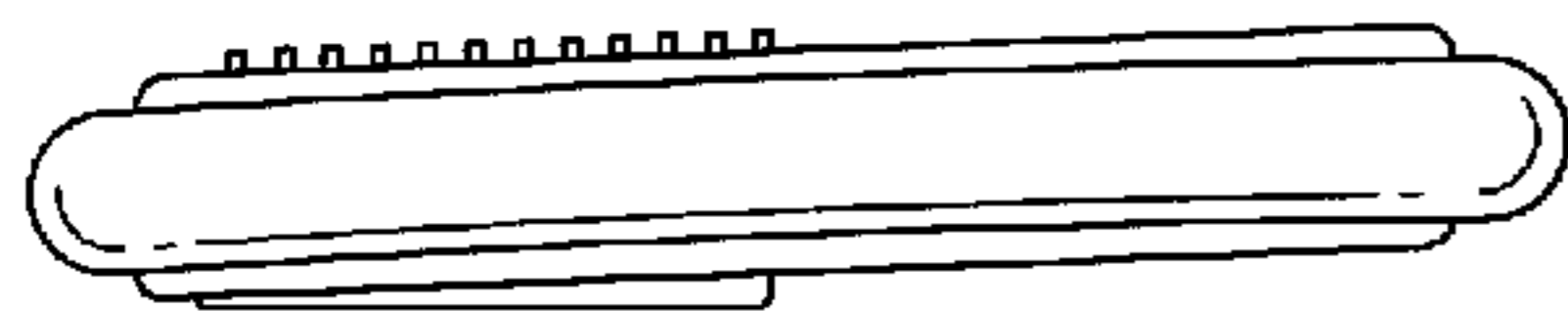
(57) **CLAIM**

I claim the ornamental design for a lighting apparatus, as shown and described.

DESCRIPTION

FIG. 1 is a front view of a lighting apparatus according to the present invention;
FIG. 2 is a right side view thereof;
FIG. 3 is a bottom perspective view thereof;
FIG. 4 is a left side view thereof;
FIG. 5 is back view thereof;
FIG. 6 is a bottom view thereof;
FIG. 7 is a back perspective view thereof; and,
FIG. 8 is a top view thereof.

1 Claim, 3 Drawing Sheets



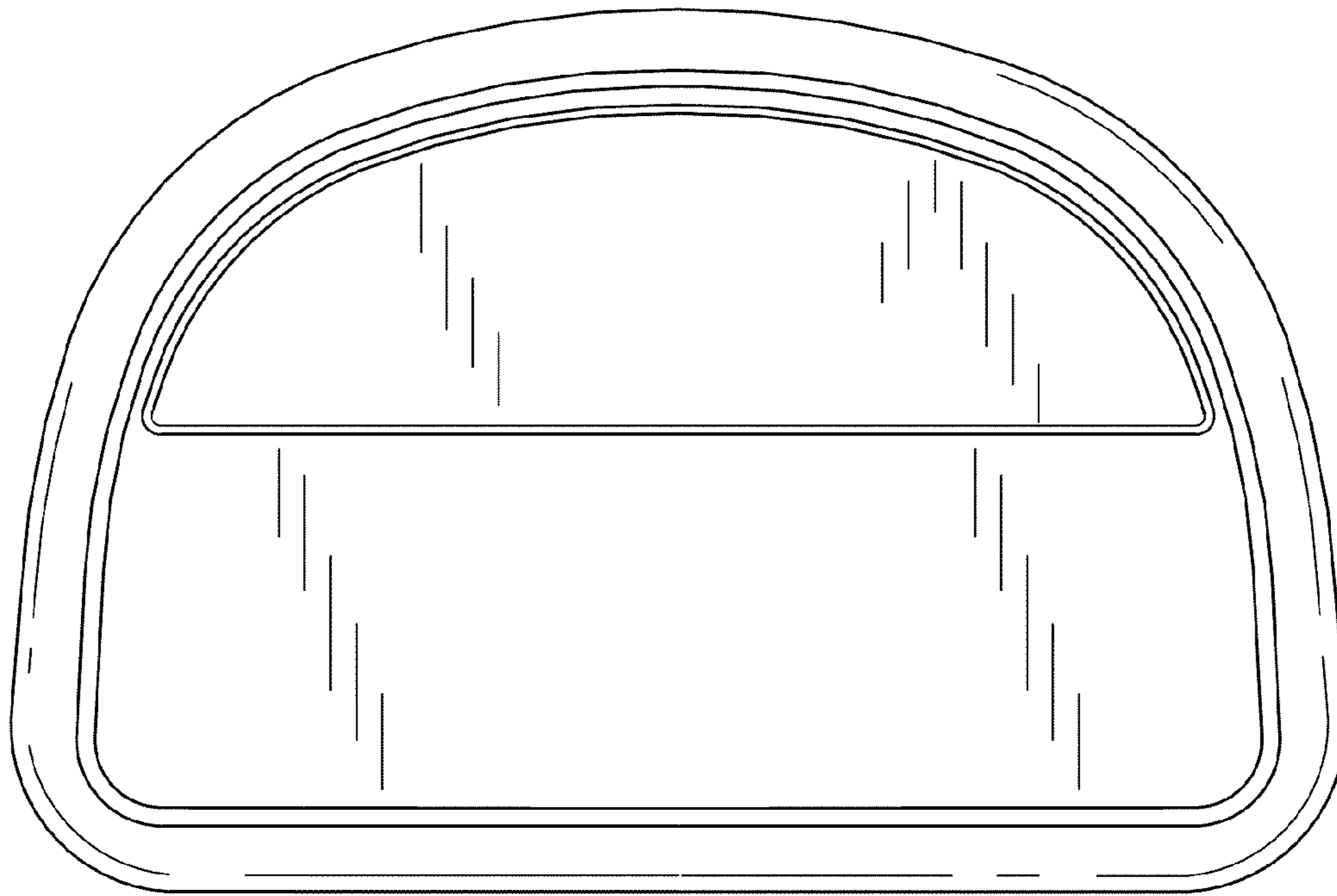


FIG. 1

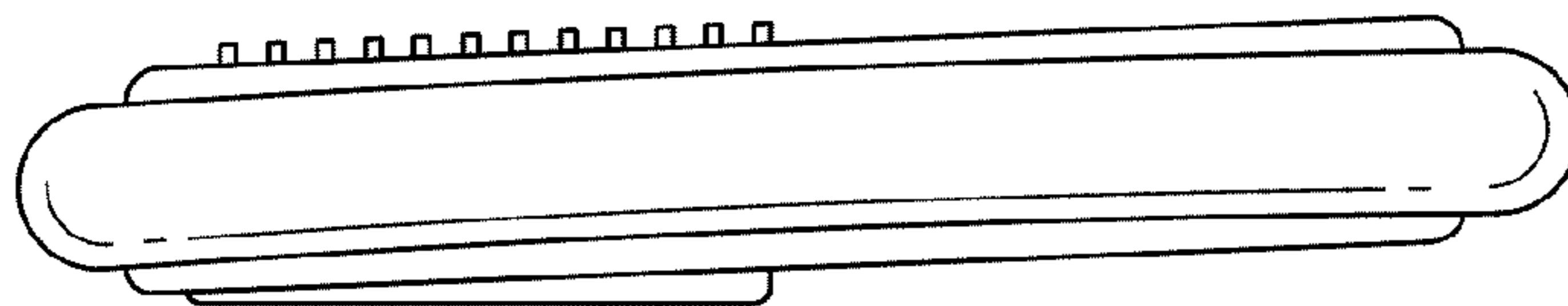


FIG. 2

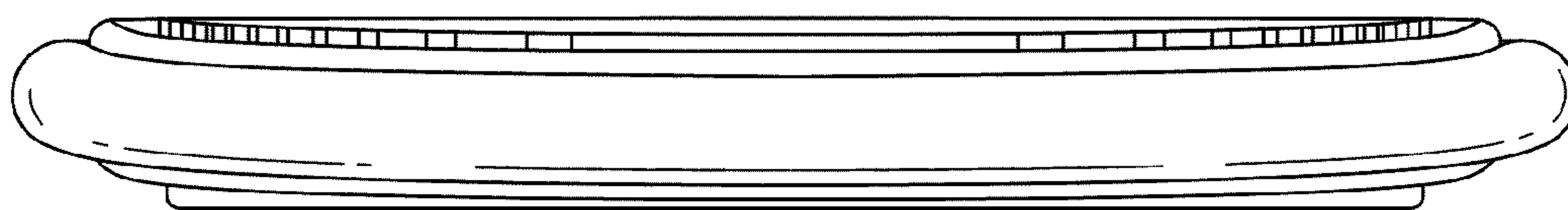


FIG. 3

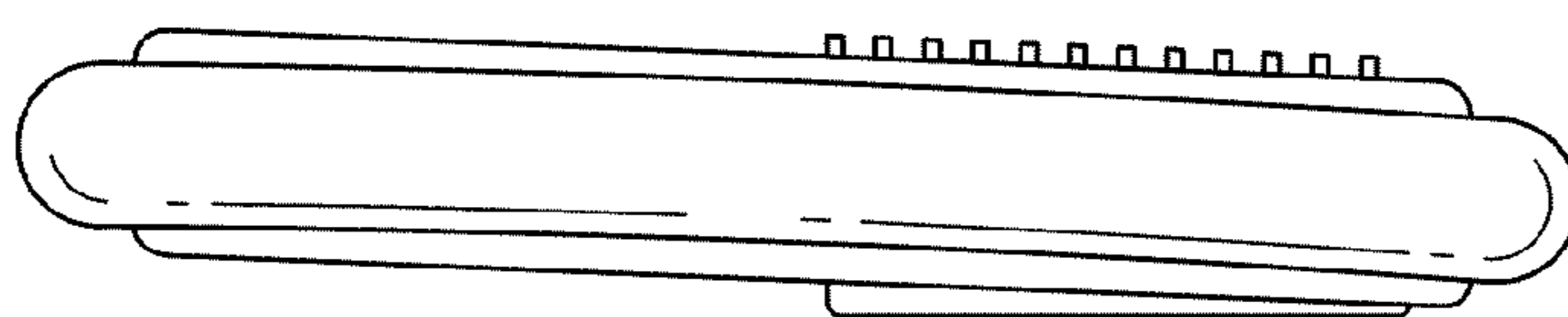


FIG. 4

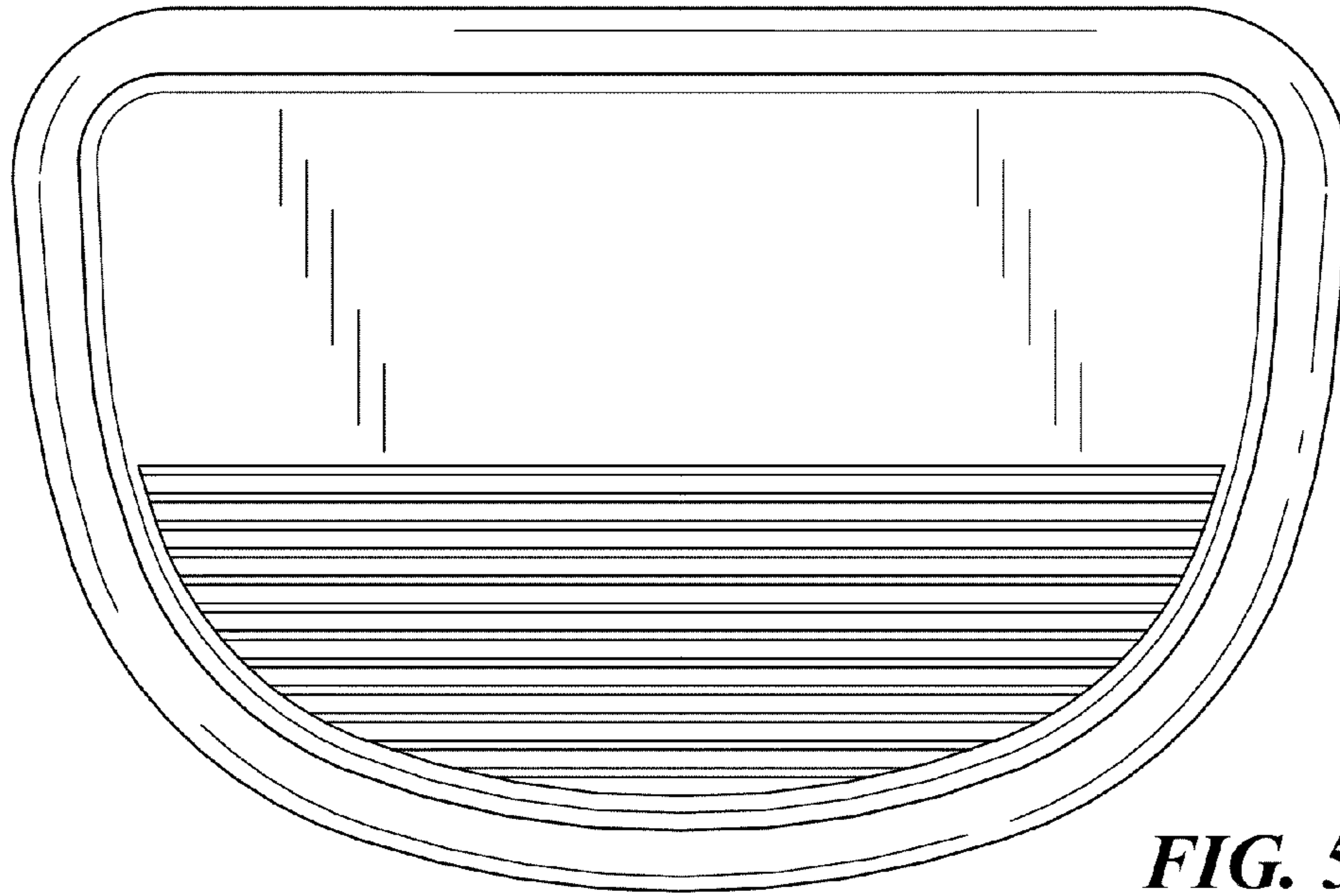


FIG. 5

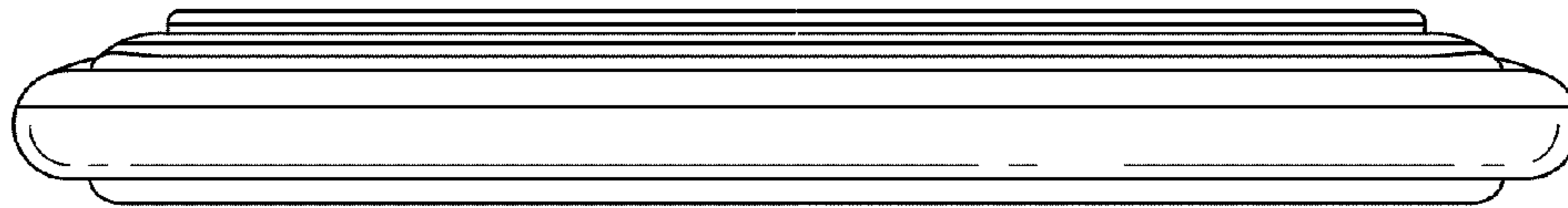


FIG. 6

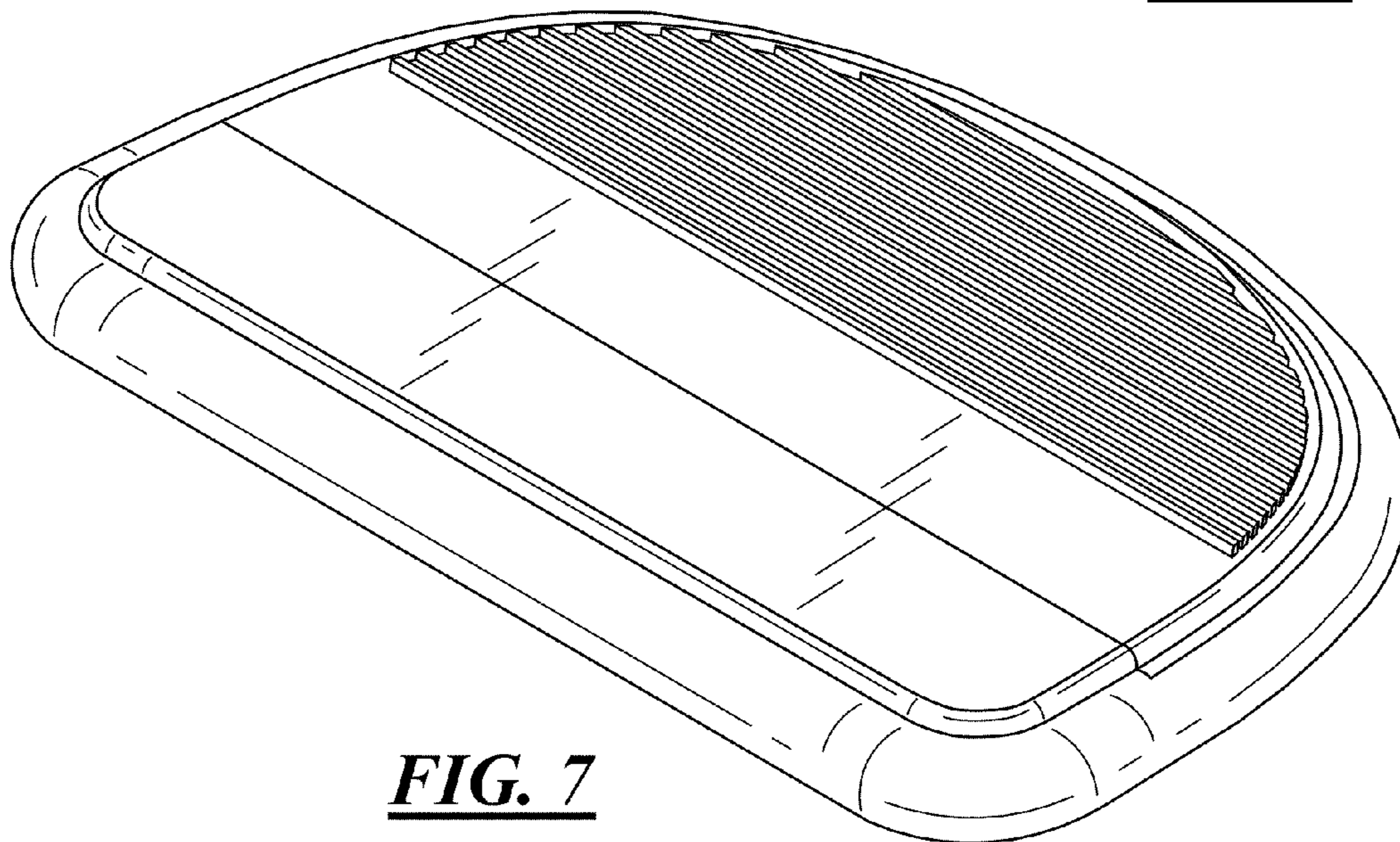


FIG. 7

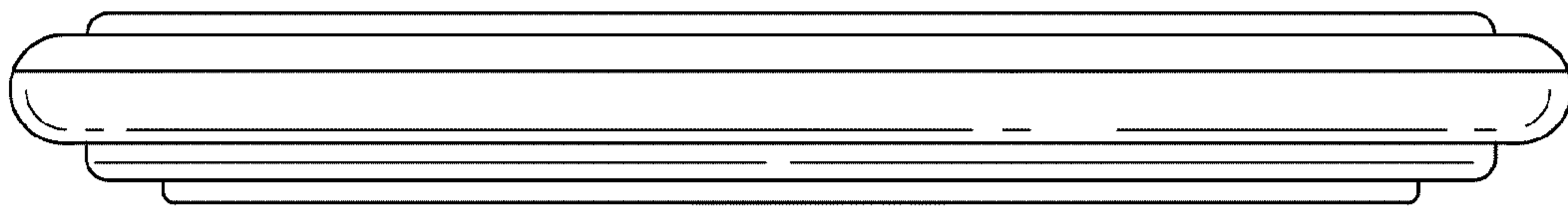


FIG. 8