



US00D654612S

(12) **United States Design Patent**
Ng

(10) **Patent No.:** **US D654,612 S**

(45) **Date of Patent:** **** Feb. 21, 2012**

(54) **UNDER CABINET LIGHT**

(75) **Inventor:** **Edmund Yat Kwong Ng**, Temple City, CA (US)

(73) **Assignee:** **Koncept Technologies, Inc.**, Monterey Park, CA (US)

(**) **Term:** **14 Years**

(21) **Appl. No.:** **29/388,136**

(22) **Filed:** **Mar. 24, 2011**

(51) **LOC (9) Cl.** **26-03**

(52) **U.S. Cl.** **D26/80**

(58) **Field of Classification Search** D26/75,
D26/76, 80, 85-92, 128, 130; 362/133, 147,
362/240, 404-408, 431, 432

See application file for complete search history.

(56) **References Cited**

U.S. PATENT DOCUMENTS

D132,982	S	*	7/1942	Beck	D26/77
6,431,721	B2	*	8/2002	Shemitz et al.	362/133
D567,425	S	*	4/2008	Yates	D26/76
D603,549	S	*	11/2009	Ng	D26/80
D606,229	S	*	12/2009	Johansen et al.	D26/80
D607,598	S	*	1/2010	Xiao et al.	D26/80
D607,599	S	*	1/2010	Zhou et al.	D26/80
7,648,251	B2	*	1/2010	Whitehouse et al.	362/133
D626,267	S	*	10/2010	Ng	D26/76

D627,914	S	*	11/2010	Couture	D26/76
D633,642	S	*	3/2011	Wauters	D26/85
D641,910	S	*	7/2011	Kong et al.	D26/76
D642,725	S	*	8/2011	Kong et al.	D26/76

* cited by examiner

Primary Examiner — Clare E Heflin

(74) *Attorney, Agent, or Firm* — Foley & Lardner LLP

(57) **CLAIM**

I claim the ornamental design for a under cabinet light, as shown and described.

DESCRIPTION

FIG. 1 is a perspective view of a under cabinet light showing our new design;

FIG. 2 is a top view thereof;

FIG. 3 is a bottom view thereof;

FIG. 4 is a cross-sectional view thereof taken along the line 4-4 in FIG. 3;

FIG. 5 is a right side view thereof;

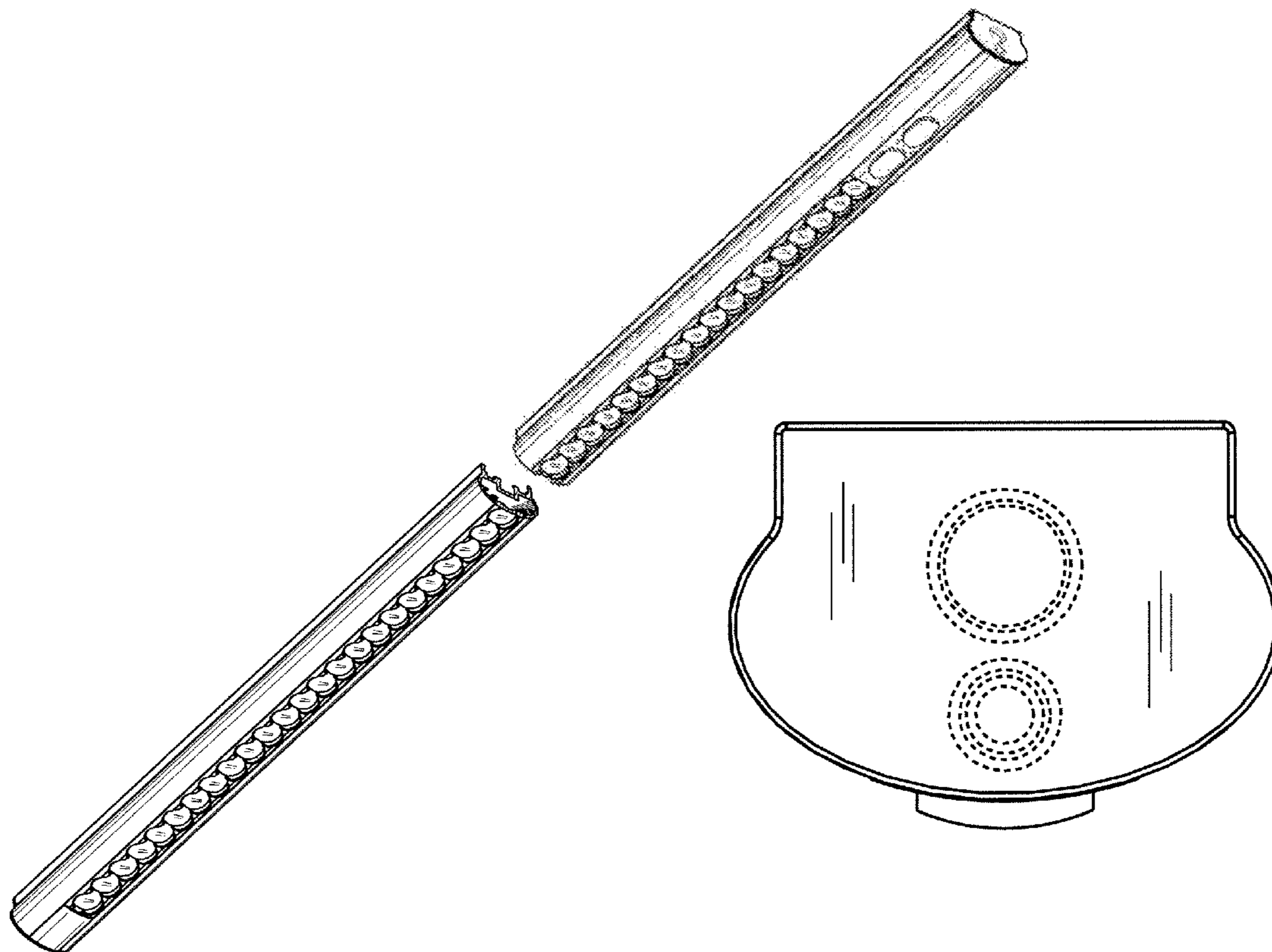
FIG. 6 is a left side view thereof;

FIG. 7 is a front side view thereof; and,

FIG. 8 is a rear side view thereof.

The claimed design has been shown broken away to indicate that no particular length is claimed. Elements drawn in broken lines are understood to be for illustrative purposes only and form no part of the claimed design.

1 Claim, 6 Drawing Sheets



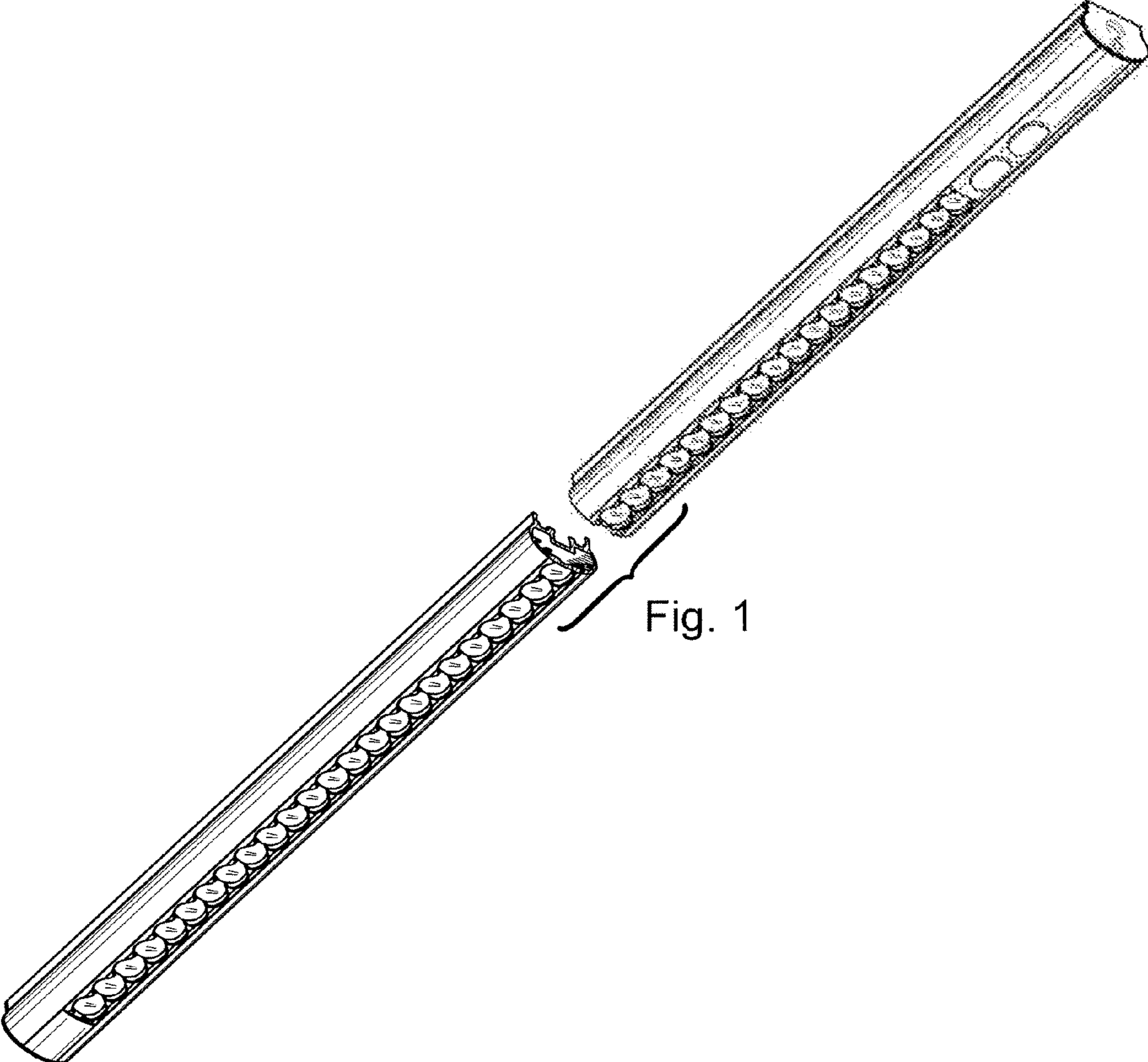


Fig. 1

Fig. 2

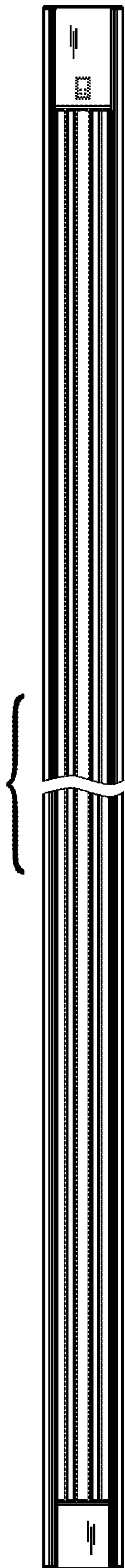
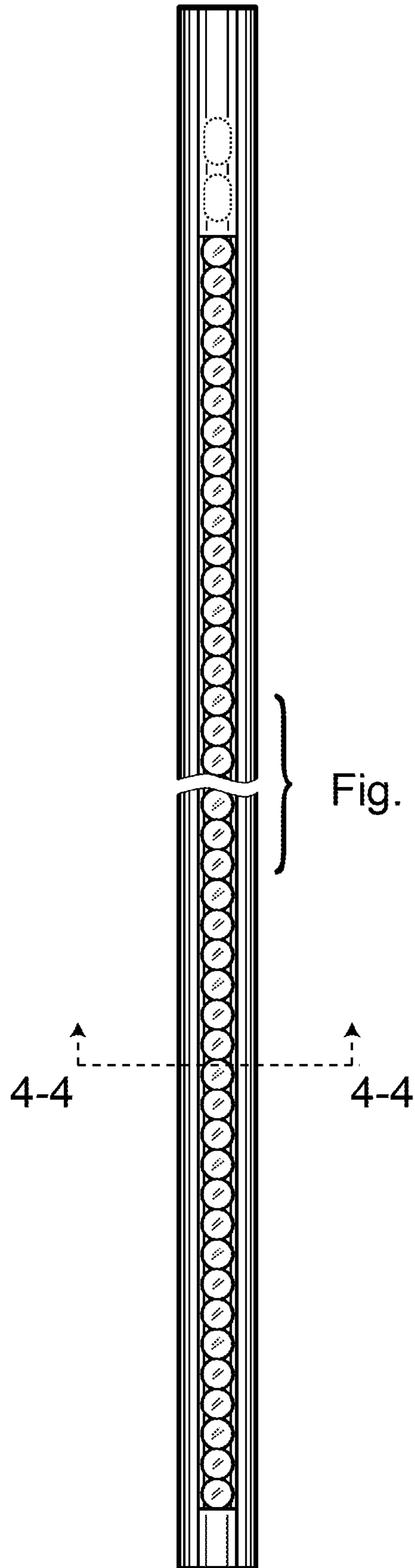


Fig. 3



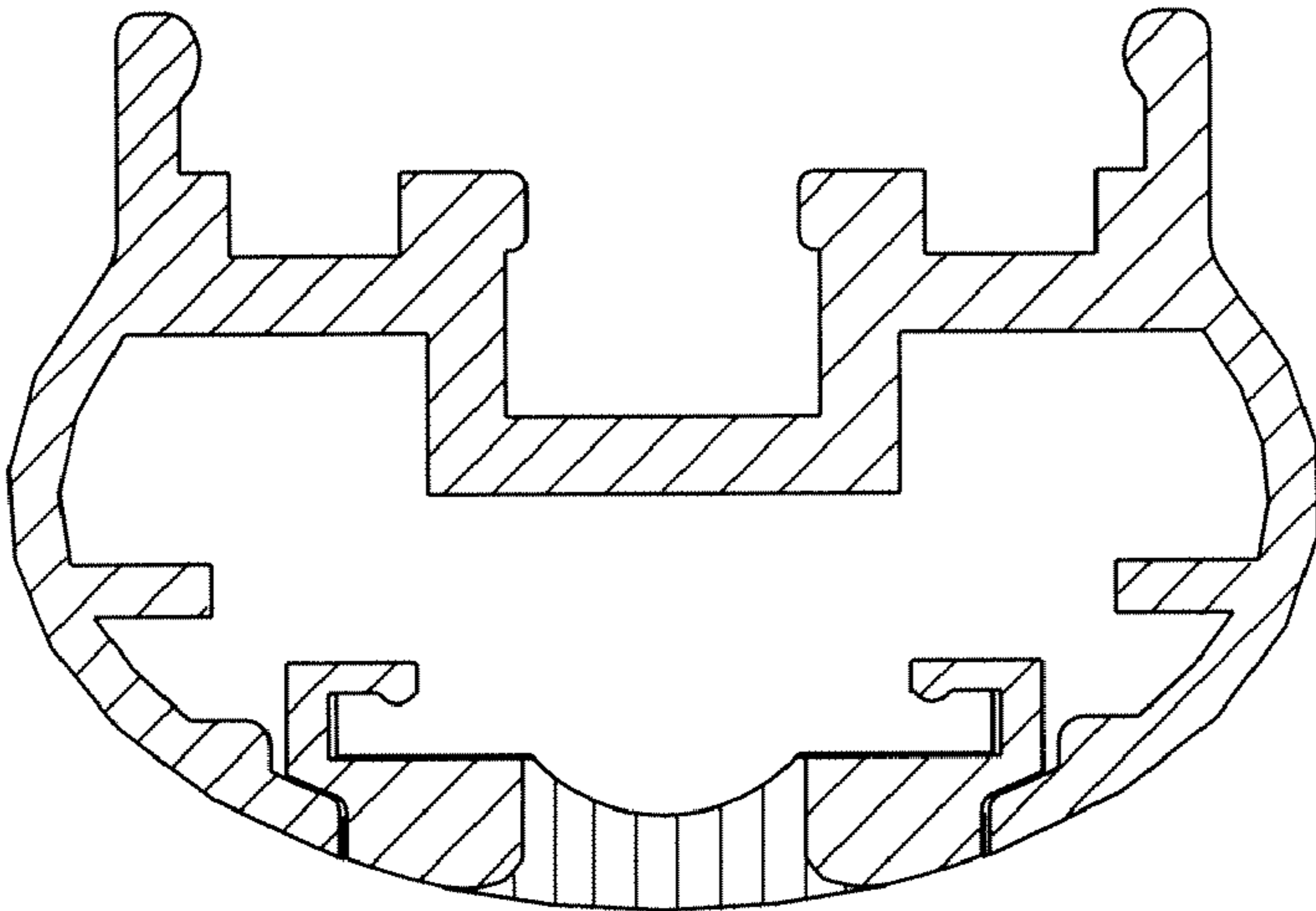


Fig. 4

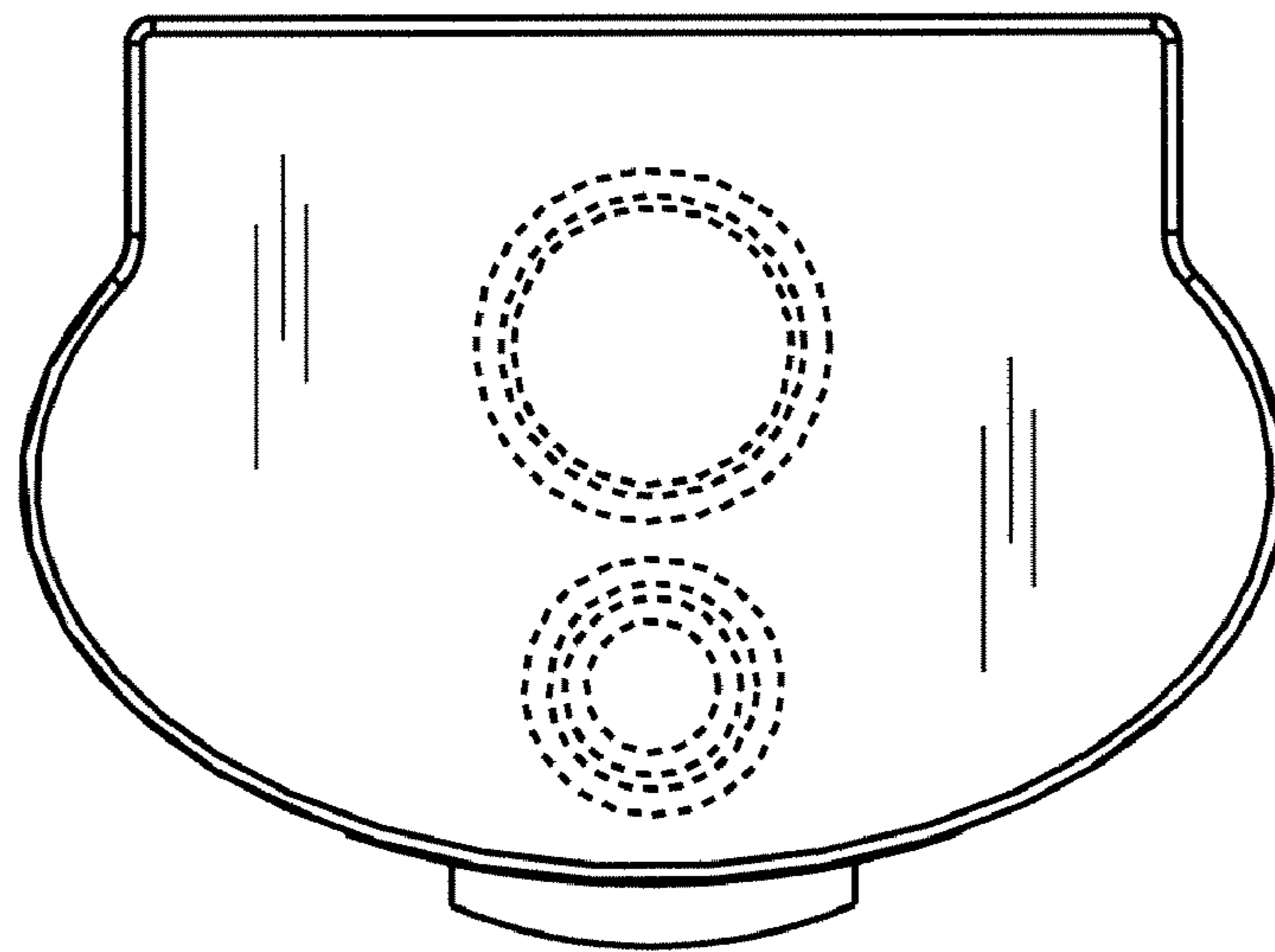


Fig. 5

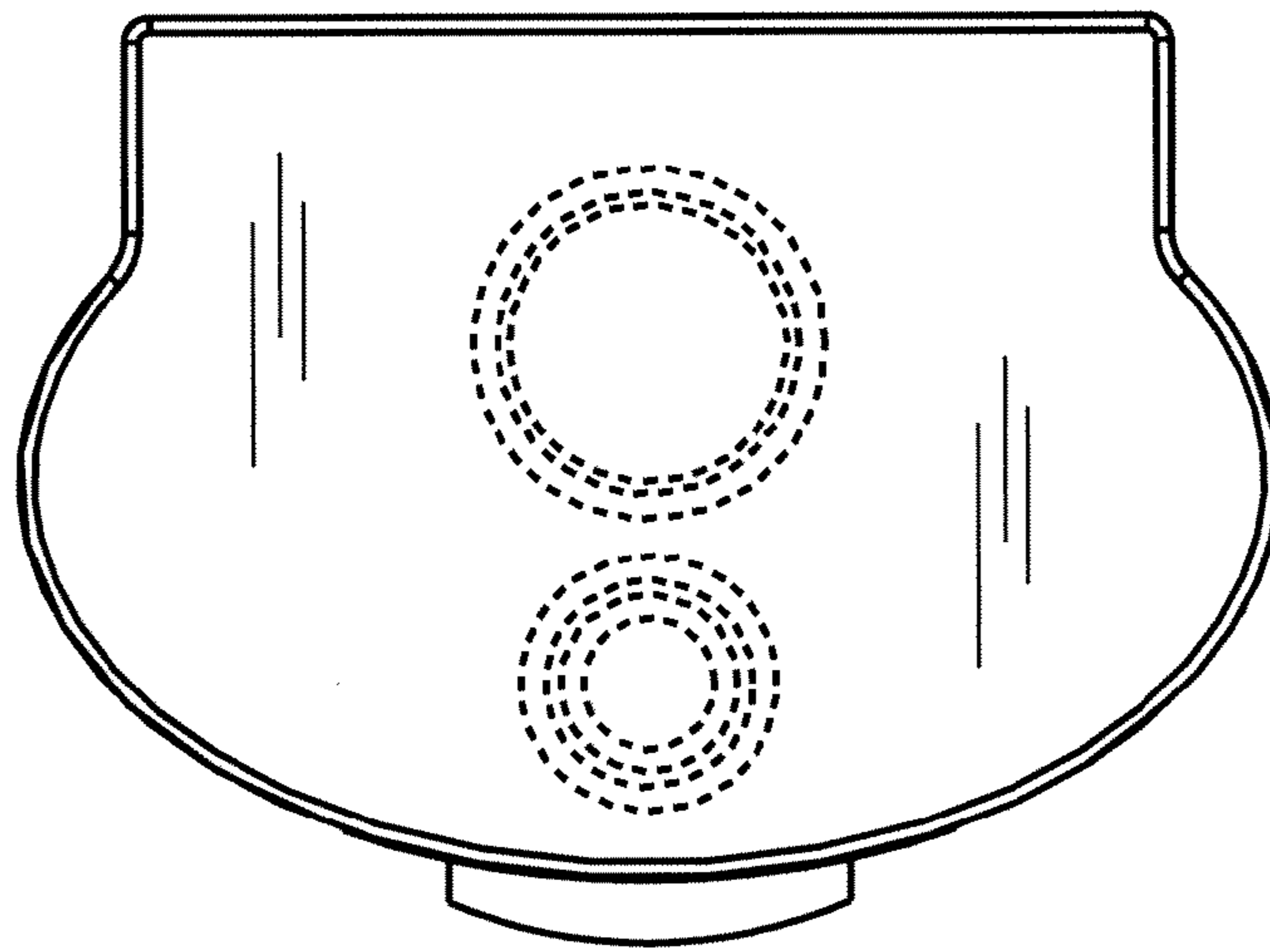


Fig. 6

Fig. 7

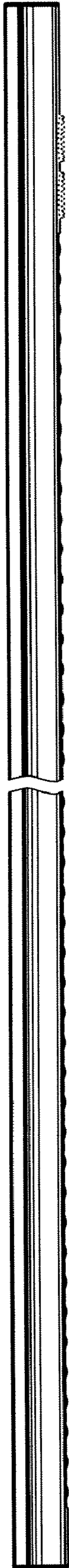


Fig. 8



UNITED STATES PATENT AND TRADEMARK OFFICE
CERTIFICATE OF CORRECTION

PATENT NO. : D654,612 S
APPLICATION NO. : 29/388136
DATED : February 21, 2012
INVENTOR(S) : Edmund Y. K. Ng

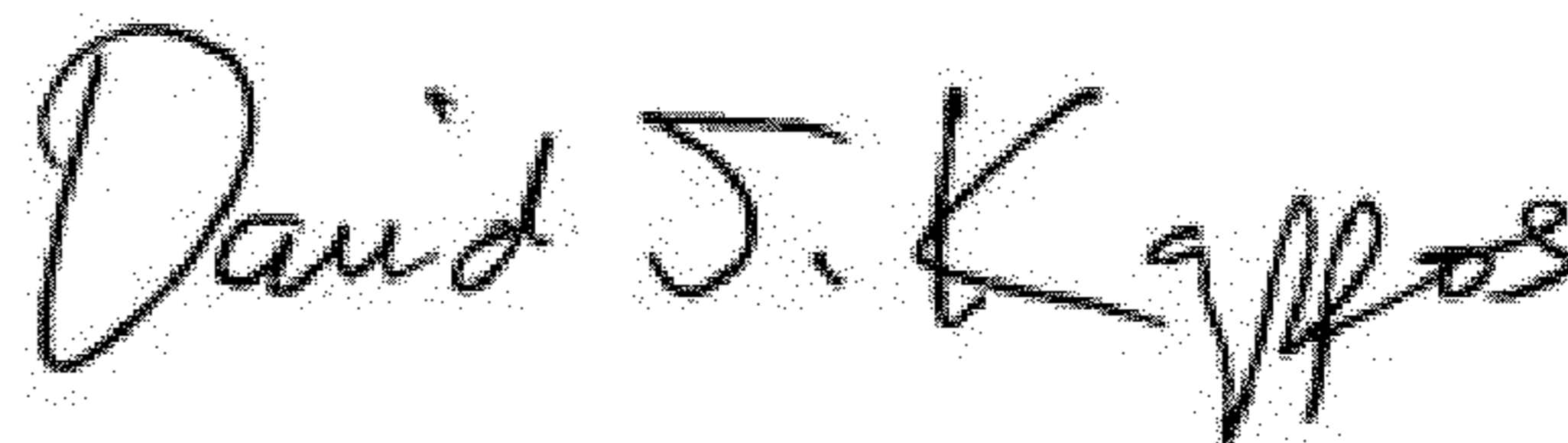
Page 1 of 4

It is certified that error appears in the above-identified patent and that said Letters Patent is hereby corrected as shown below:

The title page should be deleted to appear as per attached title page.

The sheets of drawing consisting of figures 5 and 6 should be deleted to appear as per attached figures 5 and 6.

Signed and Sealed this
Twenty-ninth Day of May, 2012

A handwritten signature in black ink that reads "David J. Kappos". The signature is written in a cursive, slightly slanted style.

David J. Kappos
Director of the United States Patent and Trademark Office

(12) **United States Design Patent**
Ng

(10) **Patent No.:** **US D654,612 S**
(45) **Date of Patent:** **** Feb. 21, 2012**

(54) **UNDER CABINET LIGHT**

(75) Inventor: **Edmund Yat Kwong Ng**, Temple City, CA (US)

(73) Assignee: **Koncept Technologies, Inc.**, Monterey Park, CA (US)

(**) Term: **14 Years**

(21) Appl. No.: **29/388,136**

(22) Filed: **Mar. 24, 2011**

(51) **LOC (9) Cl.** **26-03**

(52) **U.S. Cl.** **D26/80**

(58) **Field of Classification Search** D26/75,
D26/76, 80, 85 92, 128, 130; 362/133, 147,
362/240, 404-408, 431, 432

See application file for complete search history.

(56) **References Cited**

U.S. PATENT DOCUMENTS

D132,982 S *	7/1942	Beck	D26/77
6,431,721 B2 *	8/2002	Shemitz et al.	362/133
D567,425 S *	4/2008	Yates	D26/76
D603,549 S *	11/2009	Ng	D26/80
D606,229 S *	12/2009	Johansen et al.	D26/80
D607,598 S *	1/2010	Xiao et al.	D26/80
D607,599 S *	1/2010	Zhou et al.	D26/80
7,648,251 B2 *	1/2010	Whitehouse et al.	362/133
D626,267 S *	10/2010	Ng	D26/76

D627,914 S *	11/2010	Couture	D26-76
D633,642 S *	3/2011	Wauters	D26-85
D641,910 S *	7/2011	Kong et al.	D26-76
D642,725 S *	8/2011	Kong et al.	D26-76

* cited by examiner

Primary Examiner - Clare E. Heflin

(74) *Attorney, Agent, or Firm* - Foley & Lardner LLP

(57) **CLAIM**

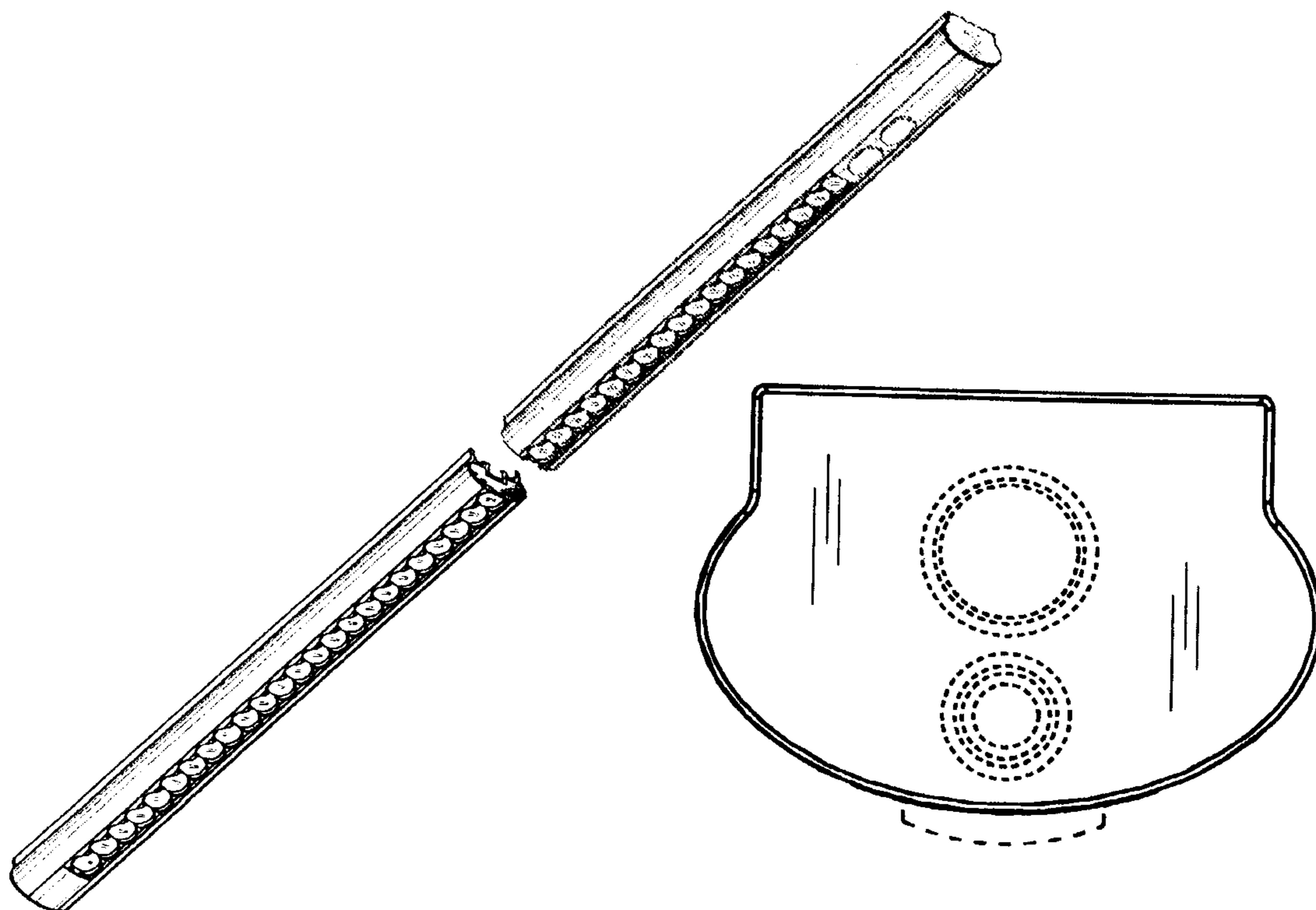
I claim the ornamental design for a under cabinet light, as shown and described.

DESCRIPTION

FIG. 1 is a perspective view of a under cabinet light showing our new design;
FIG. 2 is a top view thereof;
FIG. 3 is a bottom view thereof;
FIG. 4 is a cross-sectional view thereof taken along the line 4-4 in FIG. 3;
FIG. 5 is a right side view thereof;
FIG. 6 is a left side view thereof;
FIG. 7 is a front side view thereof; and,
FIG. 8 is a rear side view thereof.

The claimed design has been shown broken away to indicate that no particular length is claimed. Elements drawn in broken lines are understood to be for illustrative purposes only and form no part of the claimed design.

1 Claim, 6 Drawing Sheets



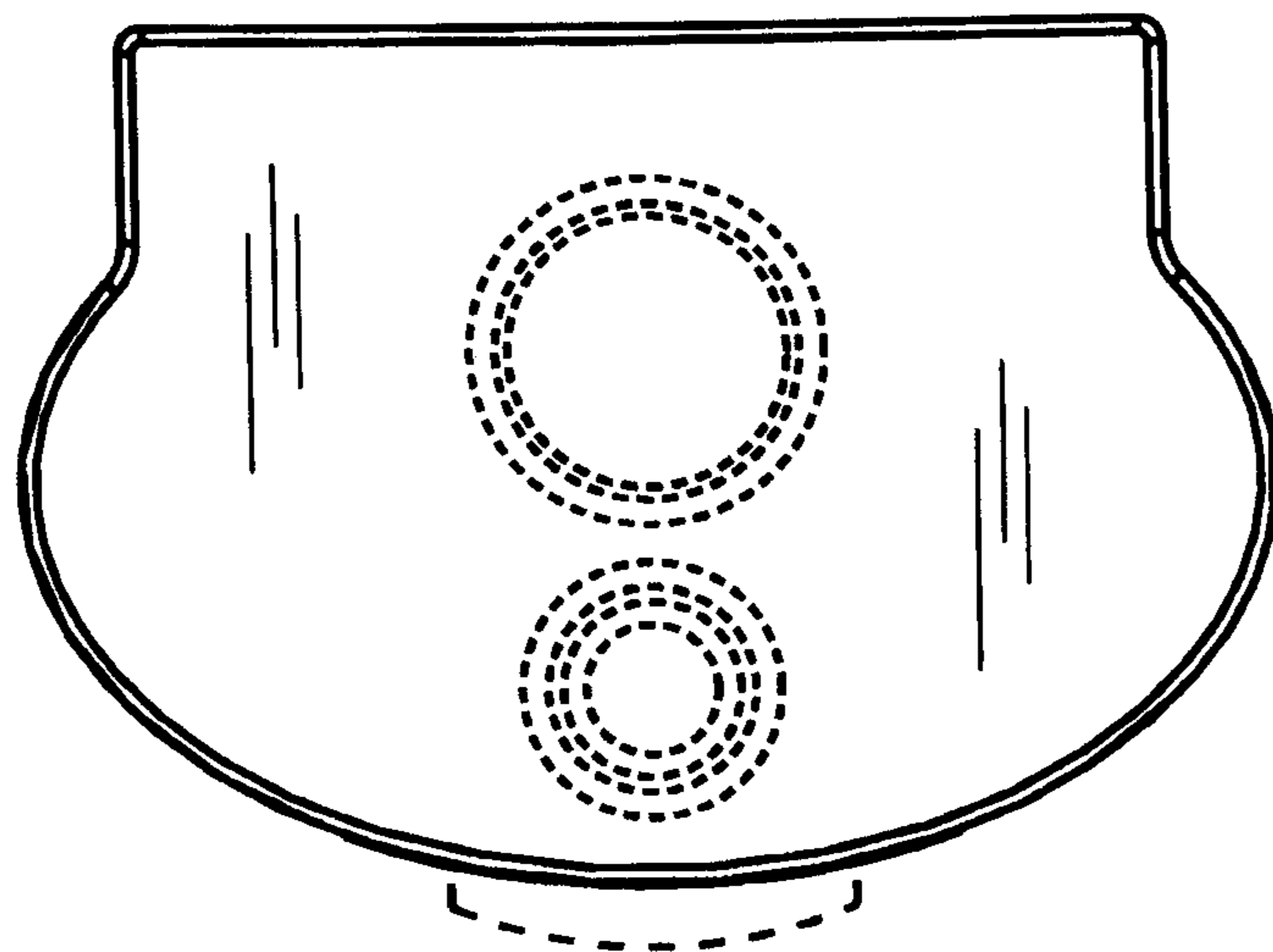


Fig. 5

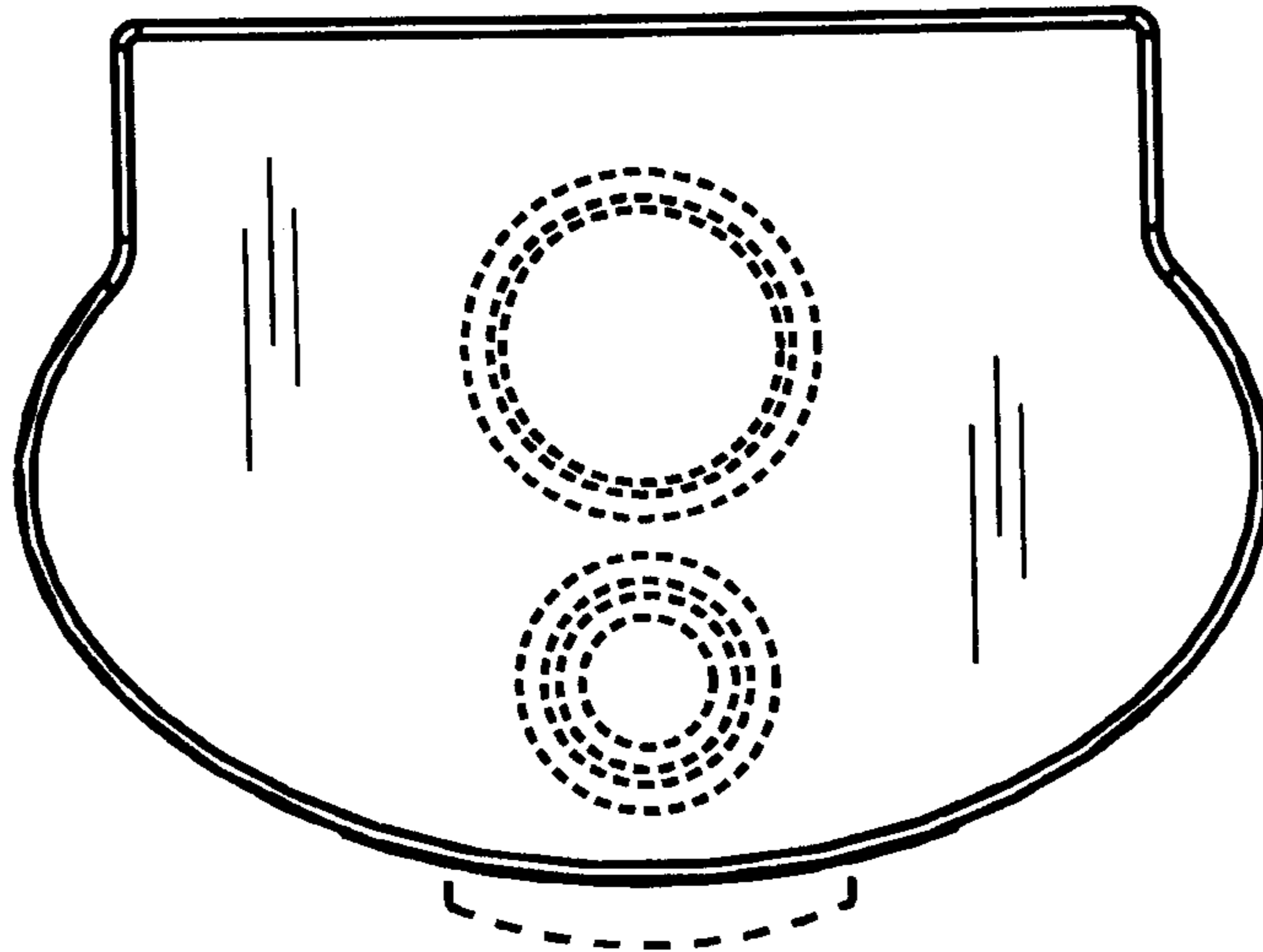


Fig. 6