



US00D654609S

(12) **United States Design Patent**  
**Chen**

(10) **Patent No.:** **US D654,609 S**

(45) **Date of Patent:** **\*\* Feb. 21, 2012**

(54) **MOSAIC LAMP**

(75) Inventor: **Chi Gon Chen**, Guang Zhou (CN)

(73) Assignee: **International Development LLC**,  
Roanoke, TX (US)

(\*\*) Term: **14 Years**

(21) Appl. No.: **29/391,476**

(22) Filed: **May 9, 2011**

(51) **LOC (9) Cl.** ..... **26-05**

(52) **U.S. Cl.** ..... **D26/68**

(58) **Field of Classification Search** ..... D26/67-72,  
D26/85, 128, 130; 362/183, 427, 431, 311.13,  
362/322, 324, 277, 348

See application file for complete search history.

(56) **References Cited**

**U.S. PATENT DOCUMENTS**

D73,631 S *	10/1927	Wolter	.....	D26/24
D83,935 S *	4/1931	Wing	.....	D26/87
D92,538 S *	6/1934	Johnson et al.	.....	D26/135
D207,272 S *	3/1967	Seals, Jr.	.....	D26/68
D263,340 S *	3/1982	Budnovitch et al.	.....	D26/67
D284,312 S *	6/1986	Patel	.....	D26/67
D338,736 S *	8/1993	Compton et al.	.....	D26/74
D343,021 S *	1/1994	Compton et al.	.....	D26/74
D431,669 S *	10/2000	Milicia	.....	D26/128

D439,693 S *	3/2001	Milicia	.....	D26/68
D492,055 S *	6/2004	Hon et al.	.....	D26/67
D497,022 S *	10/2004	Bucher et al.	.....	D26/67
D528,243 S *	9/2006	Bucher et al.	.....	D26/68
D538,377 S *	3/2007	Chen	.....	D22/123
D601,746 S *	10/2009	Sabernig	.....	D26/120
D638,968 S *	5/2011	Chen	.....	D26/67
D638,970 S *	5/2011	Chen	.....	D26/67
D638,971 S *	5/2011	Chen	.....	D26/67
D638,972 S *	5/2011	Chen	.....	D26/67
D639,989 S *	6/2011	Chen	.....	D26/67
D639,990 S *	6/2011	Chen	.....	D26/67

\* cited by examiner

*Primary Examiner* — Clare E Heflin

(74) *Attorney, Agent, or Firm* — Brian Harris

(57) **CLAIM**

The ornamental design for a mosaic lamp, as shown and described.

**DESCRIPTION**

FIG. 1 is a perspective view of the mosaic lamp of the present invention;

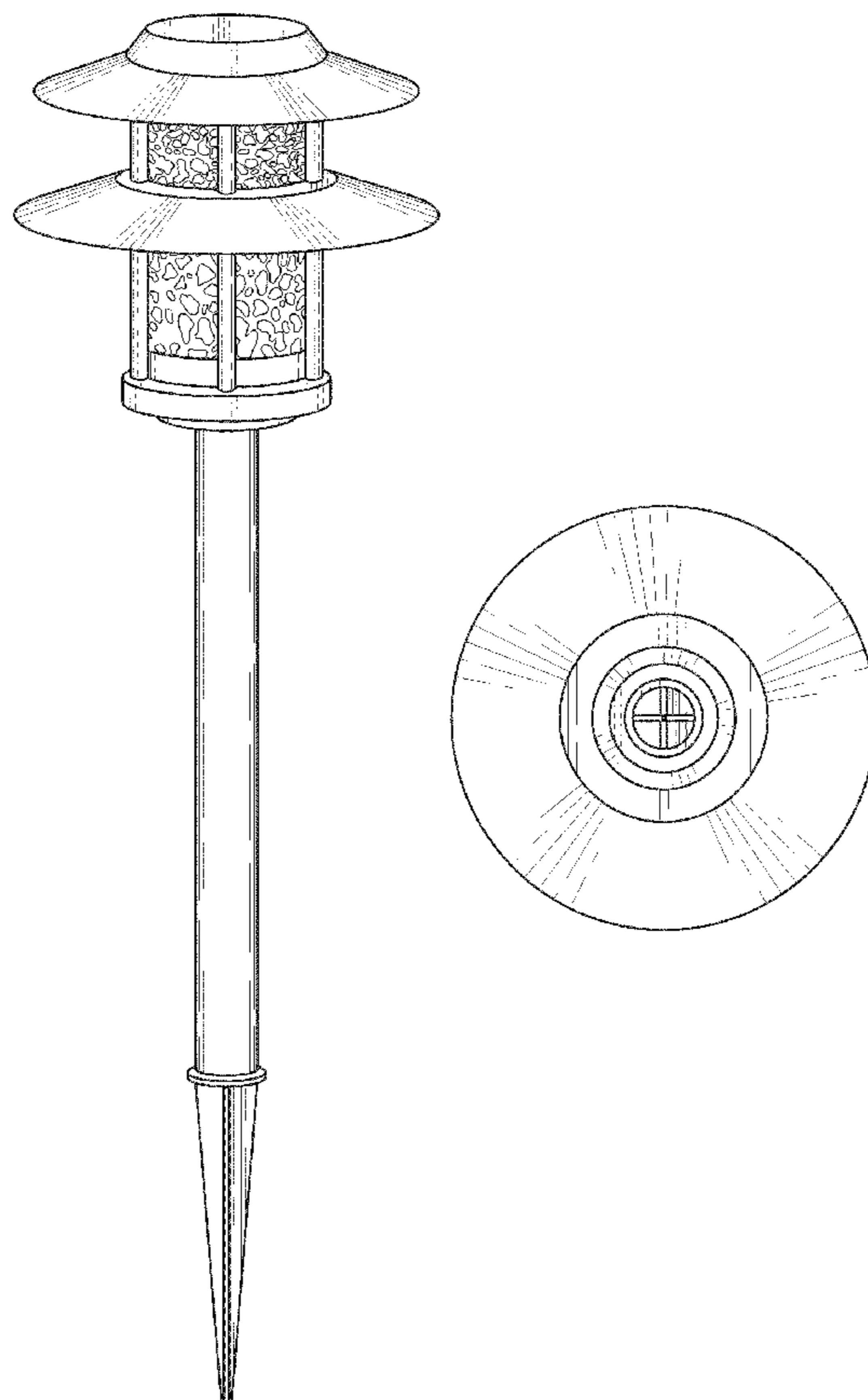
FIG. 2 is a front elevation view thereof, the rear elevation view being a mirror image thereof;

FIG. 3 is a left elevation view thereof, the right elevation view being a mirror image thereof;

FIG. 4 is a bottom plan view thereof; and,

FIG. 5 is a top plan view thereof.

**1 Claim, 2 Drawing Sheets**



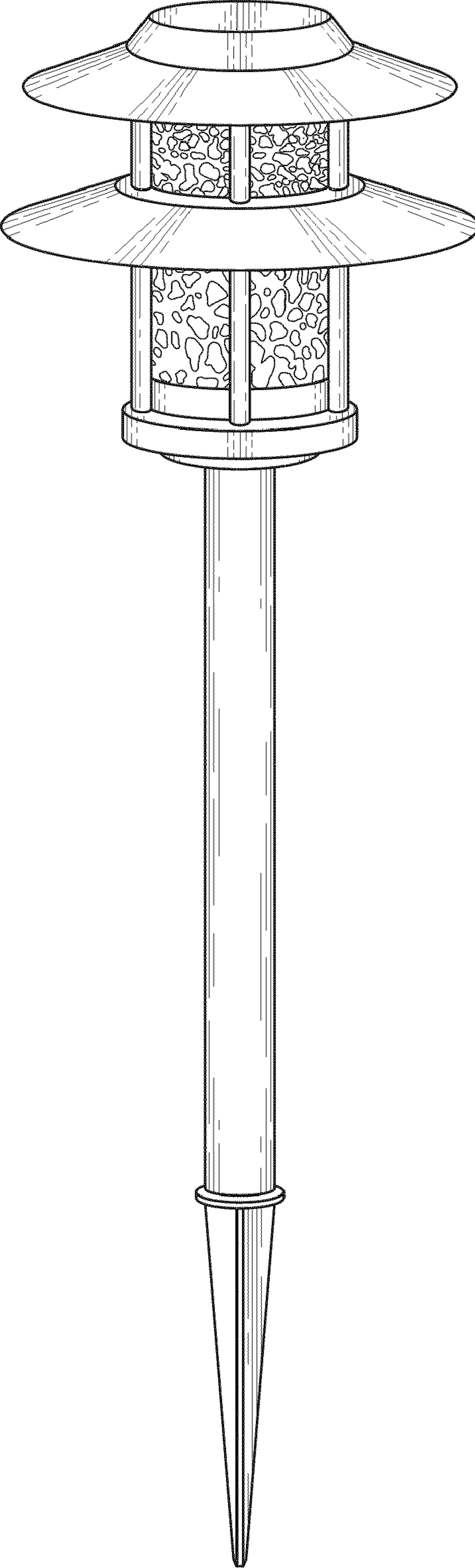


FIG. 1

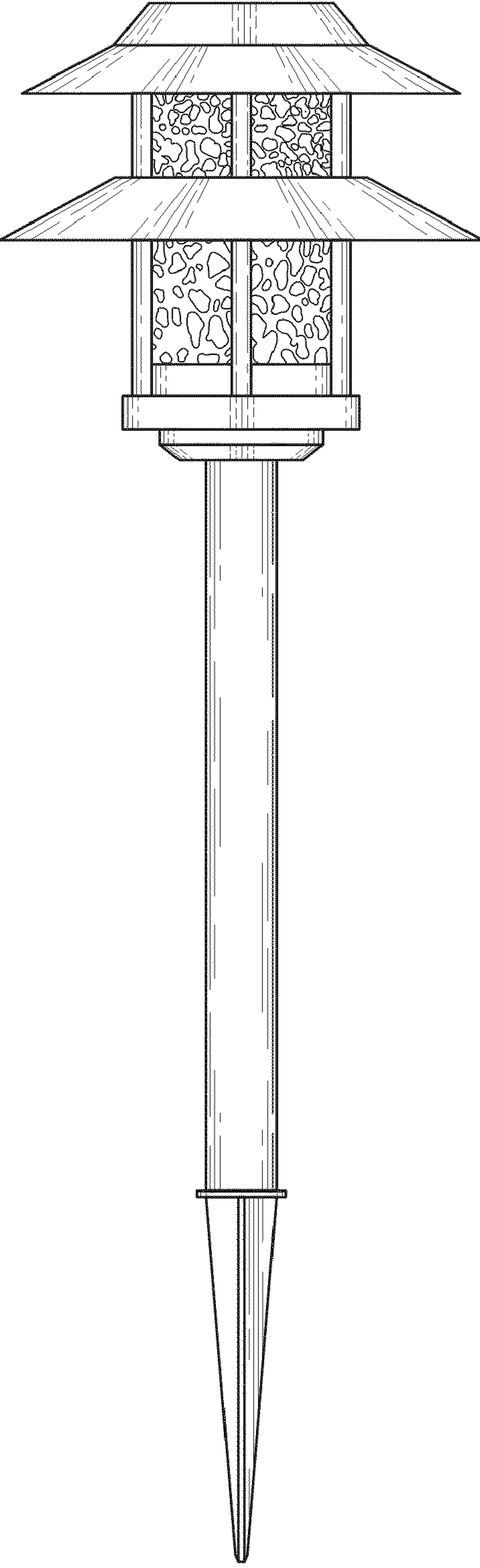
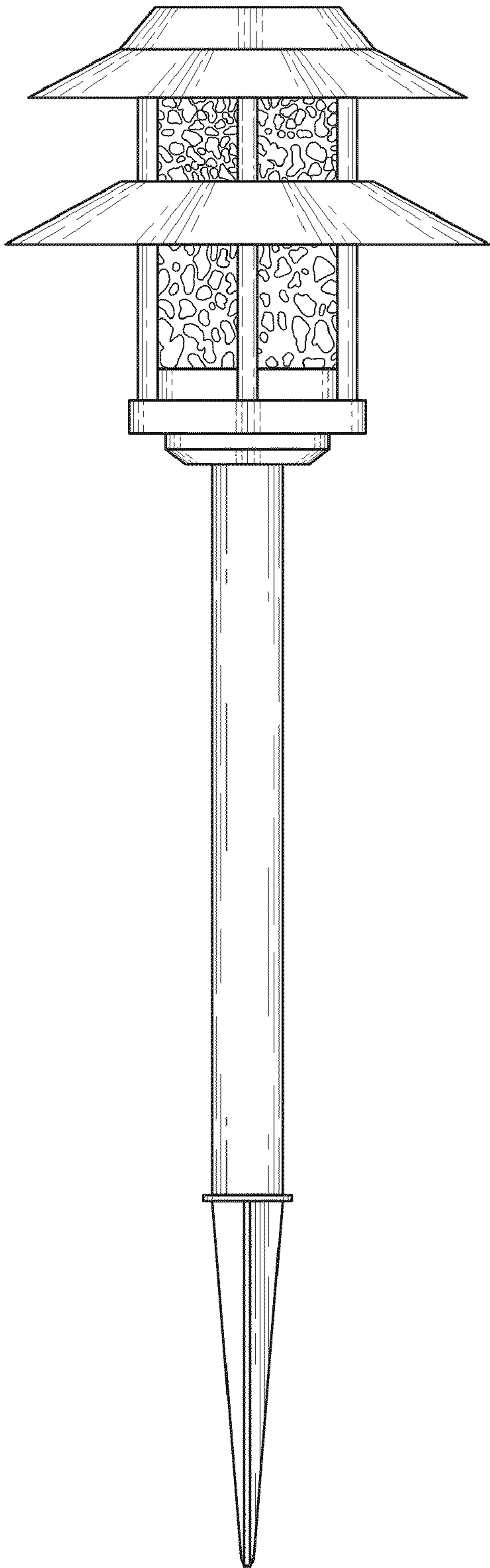
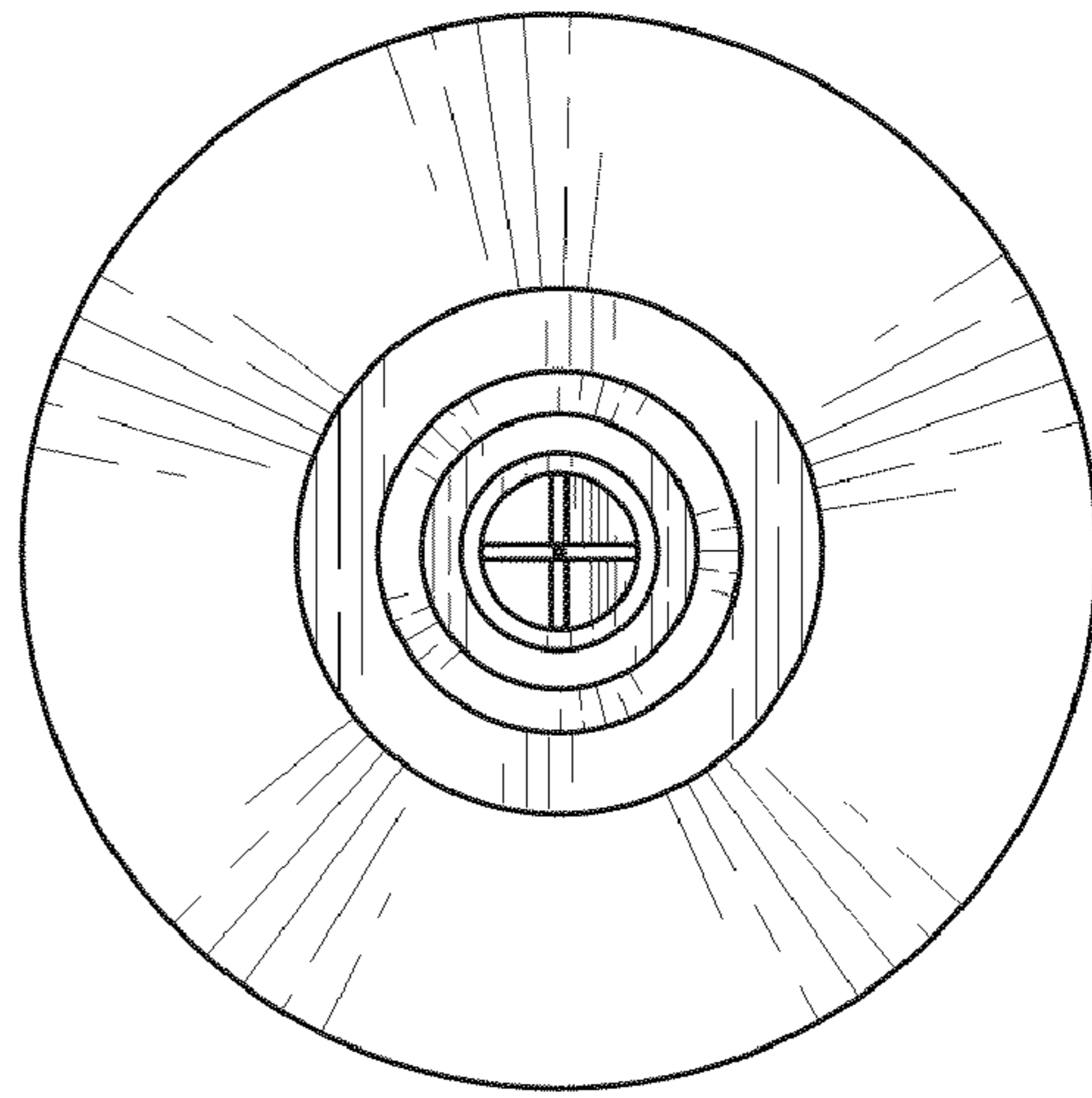


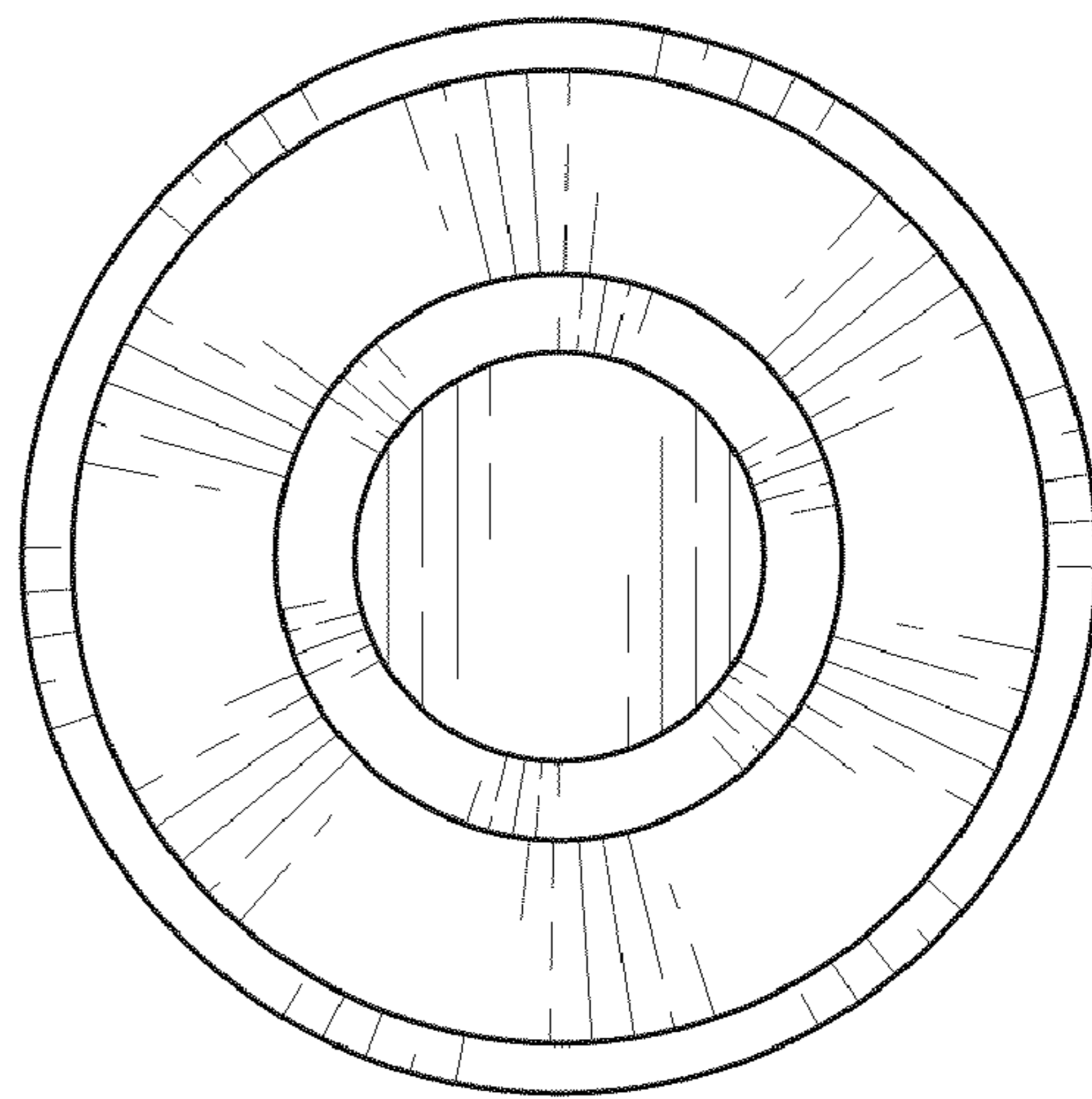
FIG. 2



**FIG. 3**



**FIG. 4**



**FIG. 5**