



US00D654607S

(12) **United States Design Patent**
Kim et al.

(10) **Patent No.:** **US D654,607 S**

(45) **Date of Patent:** **** Feb. 21, 2012**

(54) **LED LIGHTING APPARATUS**

(75) Inventors: **Han Gyoul Kim**, Seoul (KR);
Hwayoung Kim, Seoul (KR)

(73) Assignee: **LG Innotek Co., Ltd.**, Seoul (KR)

(**) Term: **14 Years**

(21) Appl. No.: **29/393,775**

(22) Filed: **Jun. 9, 2011**

Related U.S. Application Data

(62) Division of application No. 29/376,758, filed on Oct. 12, 2010.

(30) **Foreign Application Priority Data**

Apr. 10, 2010	(KR)	30-2010-0015930
Apr. 10, 2010	(KR)	30-2010-0015931
Apr. 10, 2010	(KR)	30-2010-0015932
Apr. 10, 2010	(KR)	30-2010-0015933
Apr. 10, 2010	(KR)	30-2010-0015934

(51) **LOC (9) Cl.** **26-05**

(52) **U.S. Cl.** **D26/63**

(58) **Field of Classification Search** D26/61-66,
D26/72, 74, 80-92; 362/145, 147, 211, 213,
362/219, 220, 223-225, 217.1, 217.11-217.17,
362/640, 227, 232, 235-241, 249.01-249.09,
362/249.1, 249.11, 264, 268-271, 277, 278,
362/282-285, 287, 289, 294, 311.02, 362,
362/368-373, 404, 418, 419, 427, 432, 449,
362/800

See application file for complete search history.

(56) **References Cited**

U.S. PATENT DOCUMENTS

264,254	A	5/1982	Heritage
563,012	A1	2/2008	Citterio
7,465,070	B2	12/2008	Engel
7,513,639	B2	4/2009	Wang
7,524,080	B2	4/2009	Tu et al.
7,591,572	B1	9/2009	Levine
7,780,318	B2	8/2010	Xiao et al.
623,326	A1	9/2010	Chen
625,870	A1	10/2010	Feigenbaum
7,841,740	B2	11/2010	Zhou et al.
629,550	A1	12/2010	Sandell

OTHER PUBLICATIONS

Restriction Requirement issued in U.S. Appl. No. 29/376,758 dated May 11, 2011.

Primary Examiner — Susan M Lee

Assistant Examiner — Linda G. Brooks

(74) *Attorney, Agent, or Firm* — KED & Associates LLP

(57) **CLAIM**

We claim the ornamental design for a LED lighting apparatus, as shown and described.

DESCRIPTION

FIG. 1 is a front perspective view of a LED lighting apparatus; FIG. 2 is a front view of the LED lighting apparatus of FIG. 1; FIG. 3 is a rear view of the LED lighting apparatus of FIG. 1; FIG. 4 is a left side view of the LED lighting apparatus of FIG. 1; FIG. 5 is a right side view of the LED lighting apparatus of FIG. 1; FIG. 6 is a top view of the LED lighting apparatus of FIG. 1; FIG. 7 is a bottom view of the LED lighting apparatus of FIG. 1; and, FIG. 8 is a front perspective view of the LED lighting apparatus of FIG. 1; shown in use with the light emitting part in diagonal line.

1 Claim, 6 Drawing Sheets

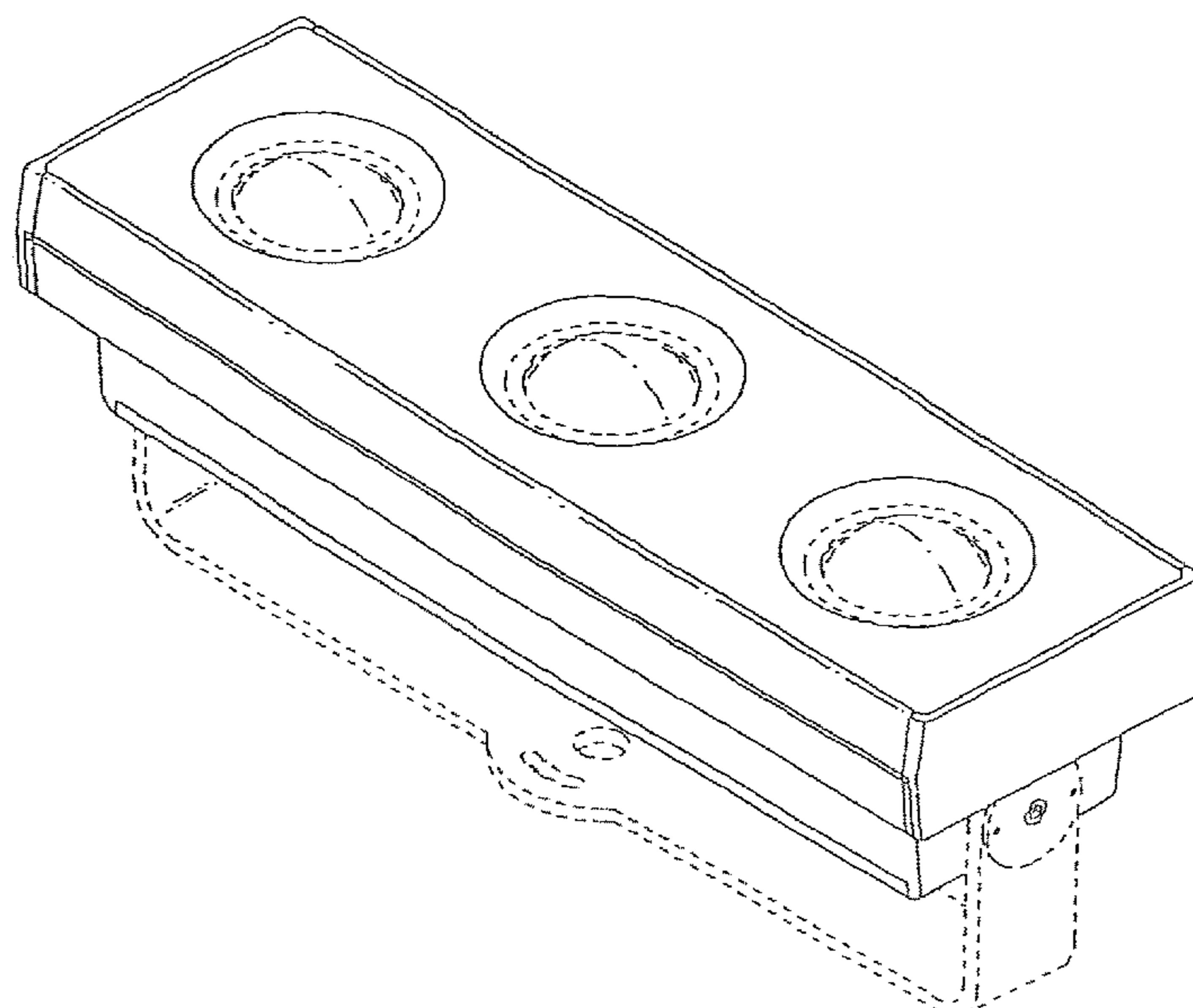


Figure 1

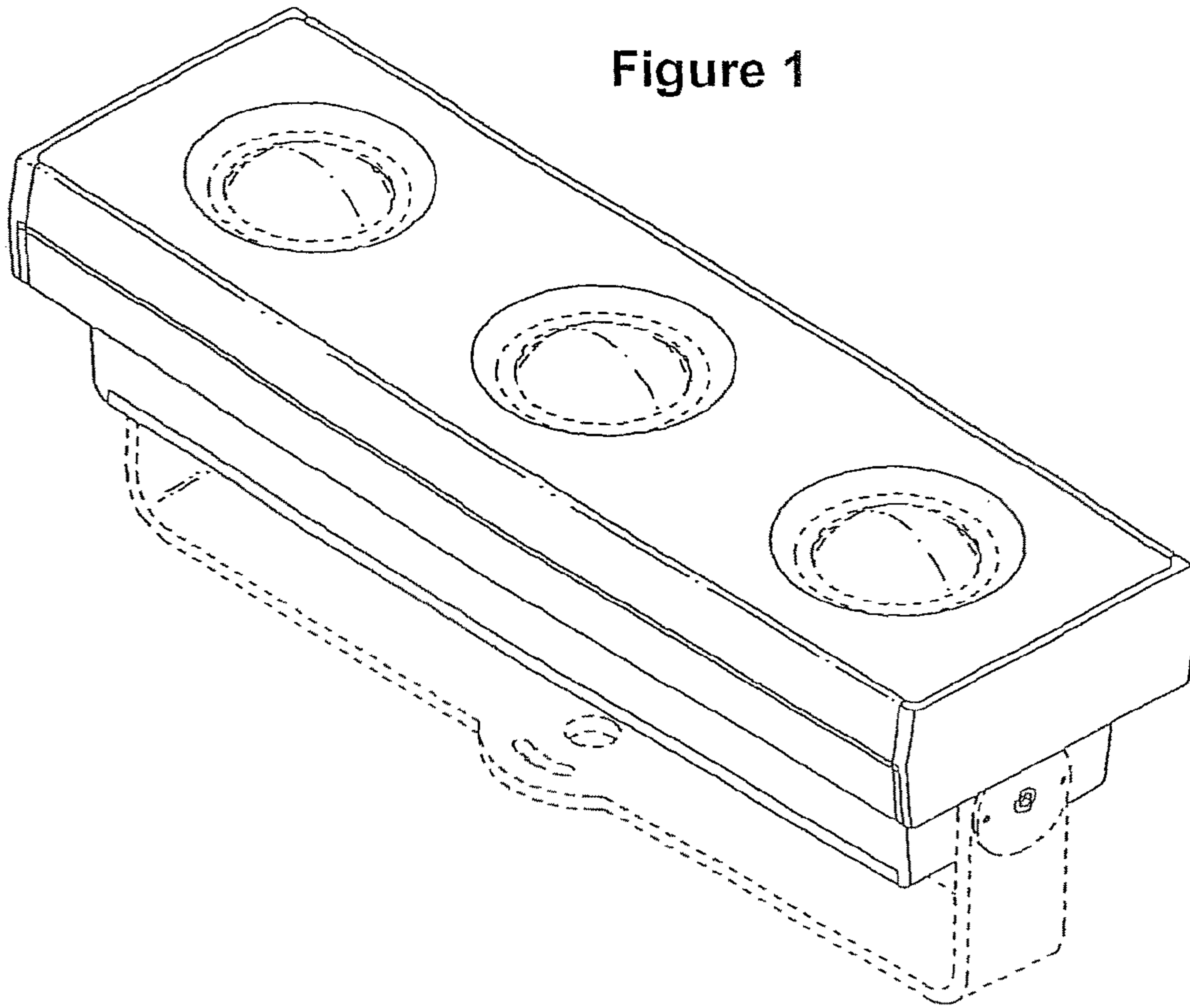


Figure 2

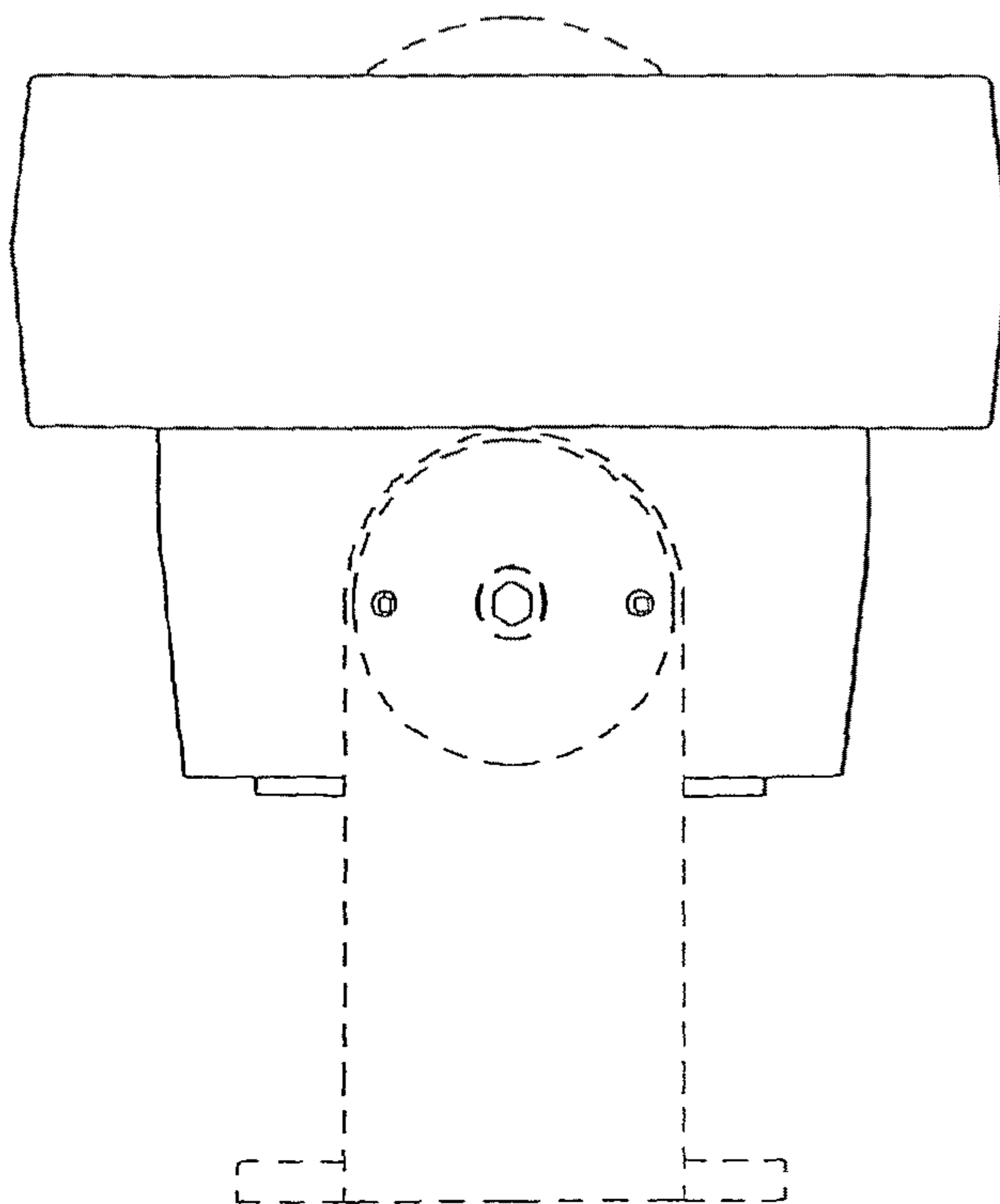


Figure 3

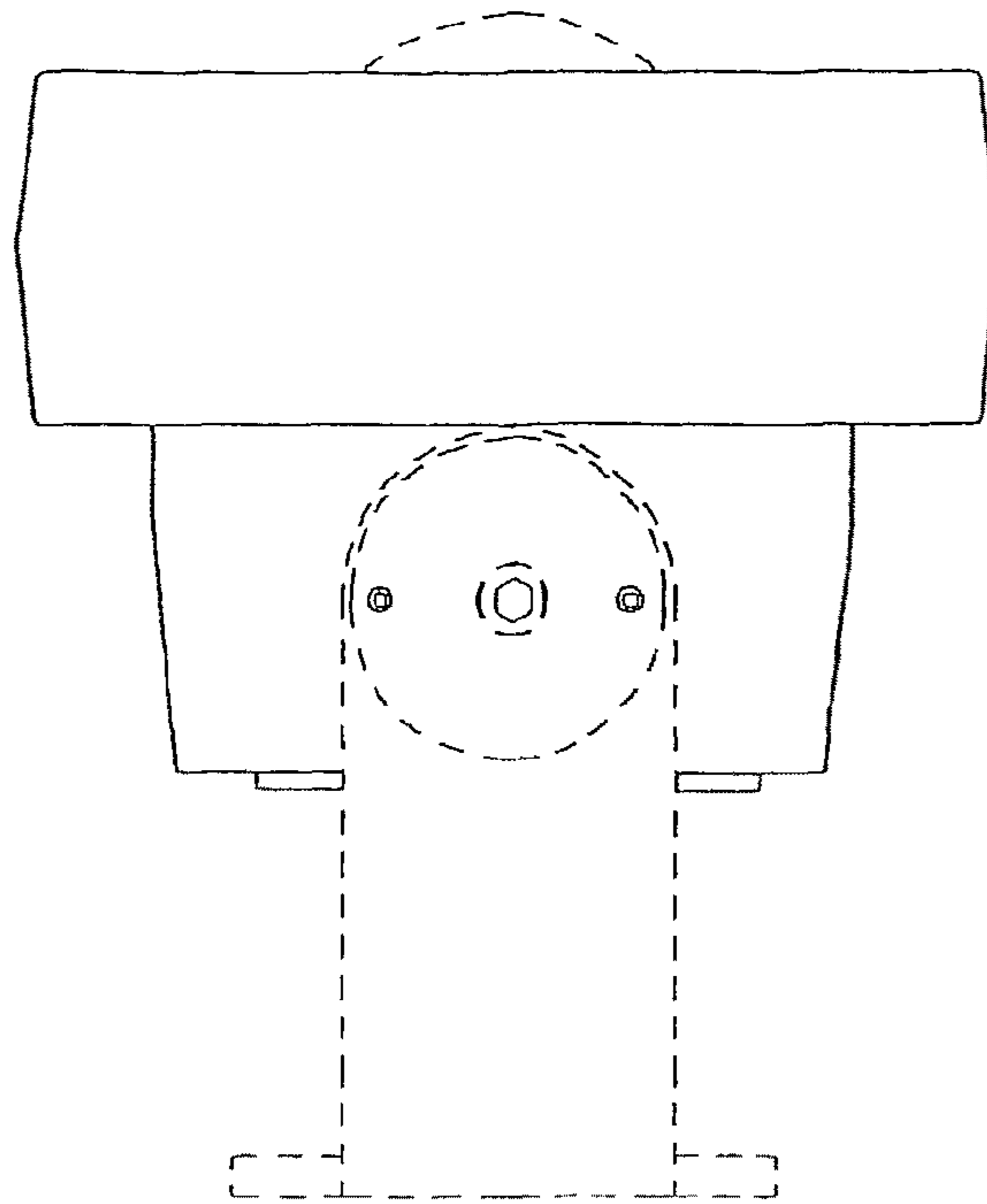


Figure 4

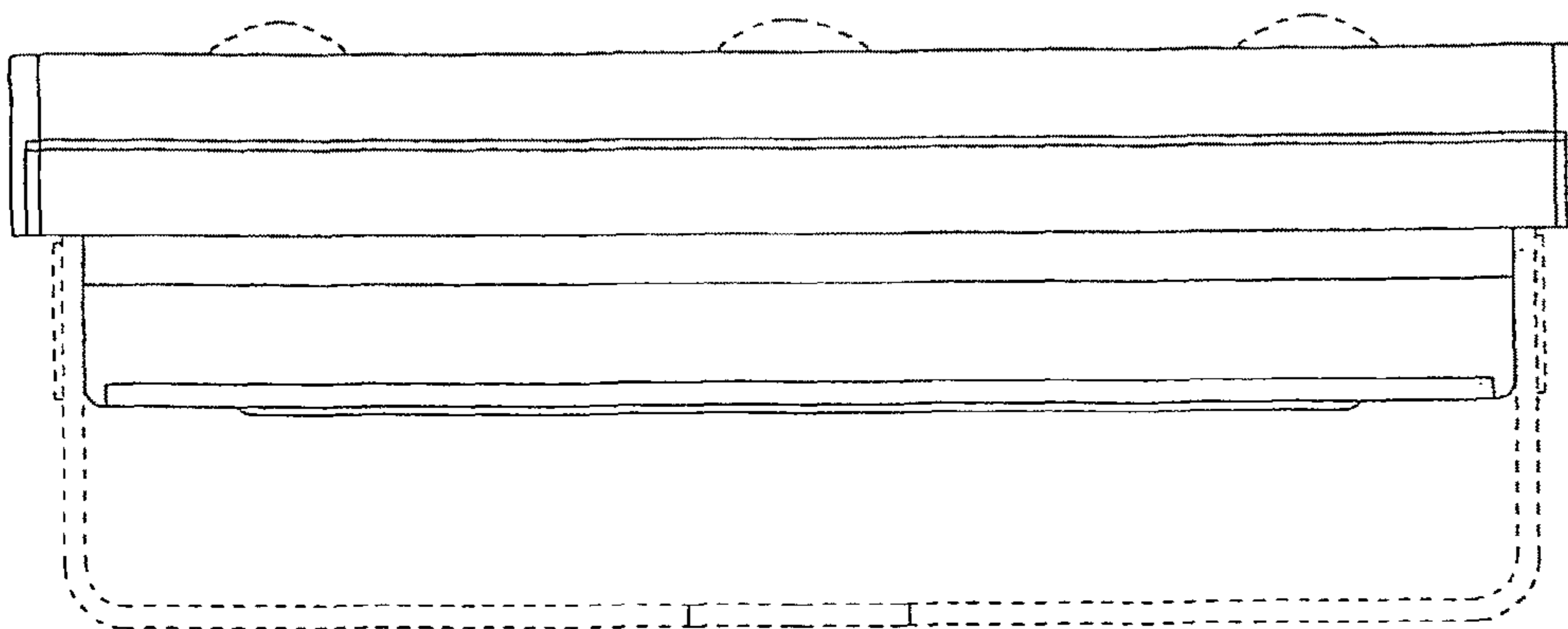


Figure 5

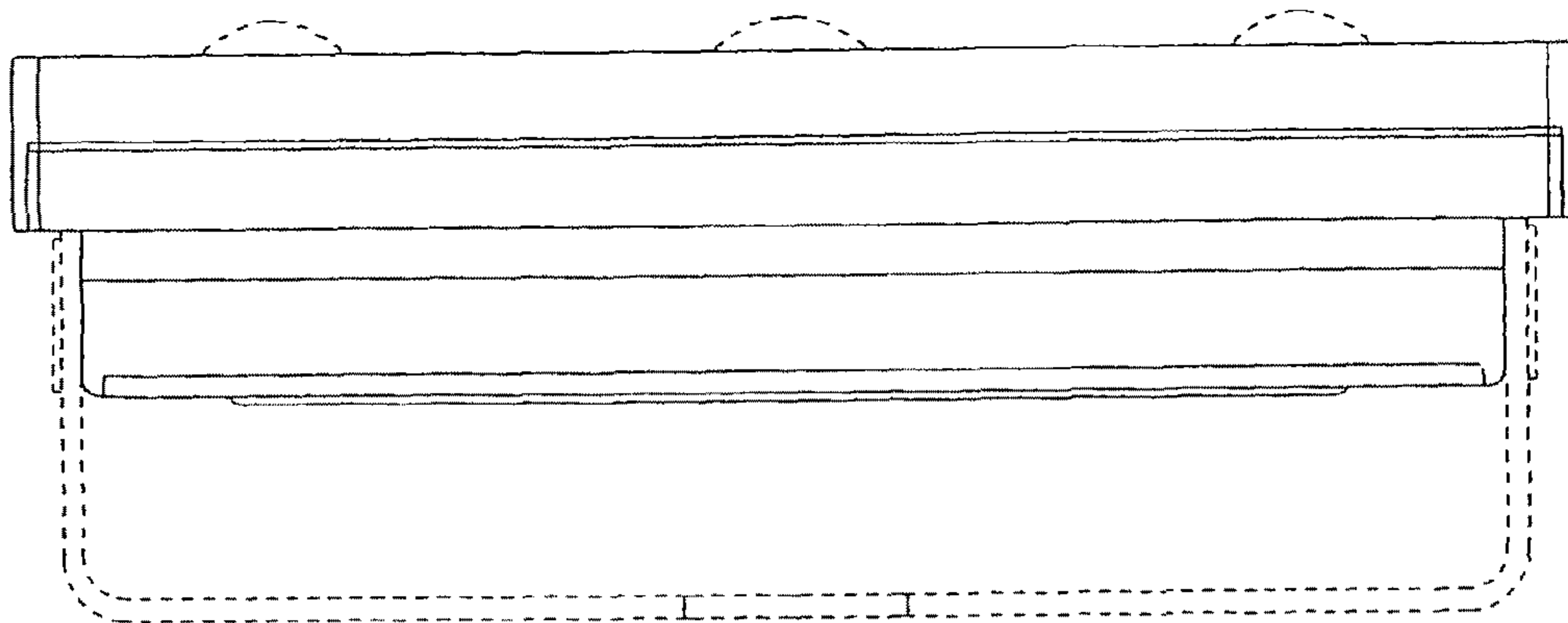


Figure 6

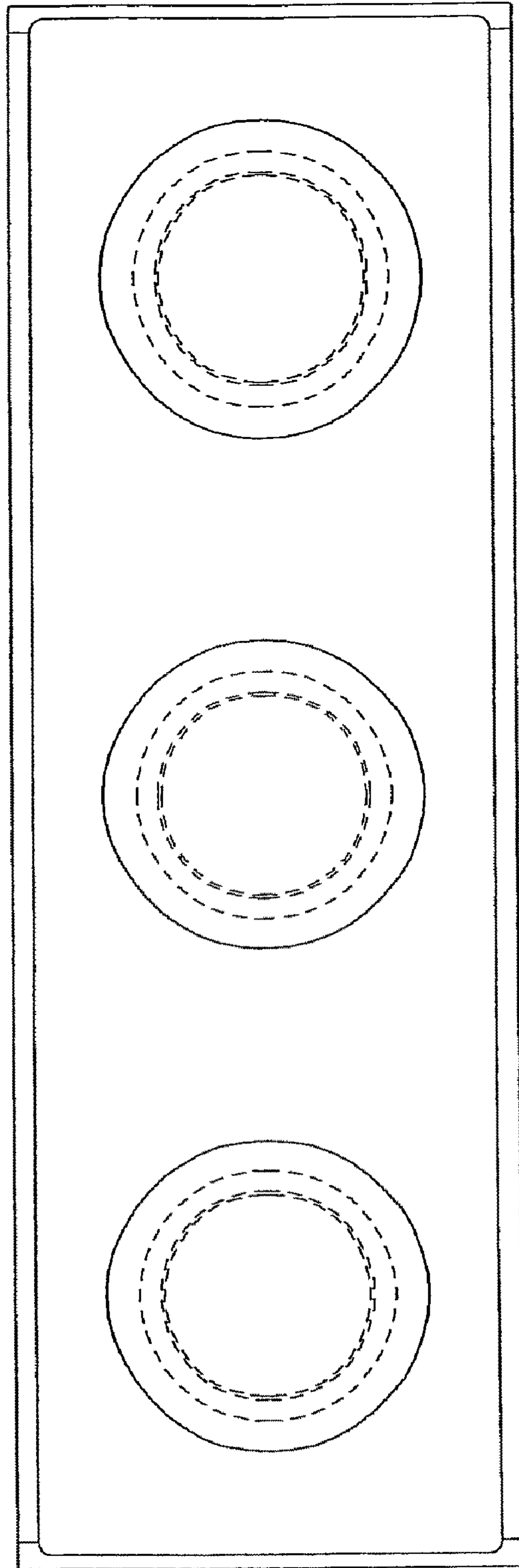


Figure 7

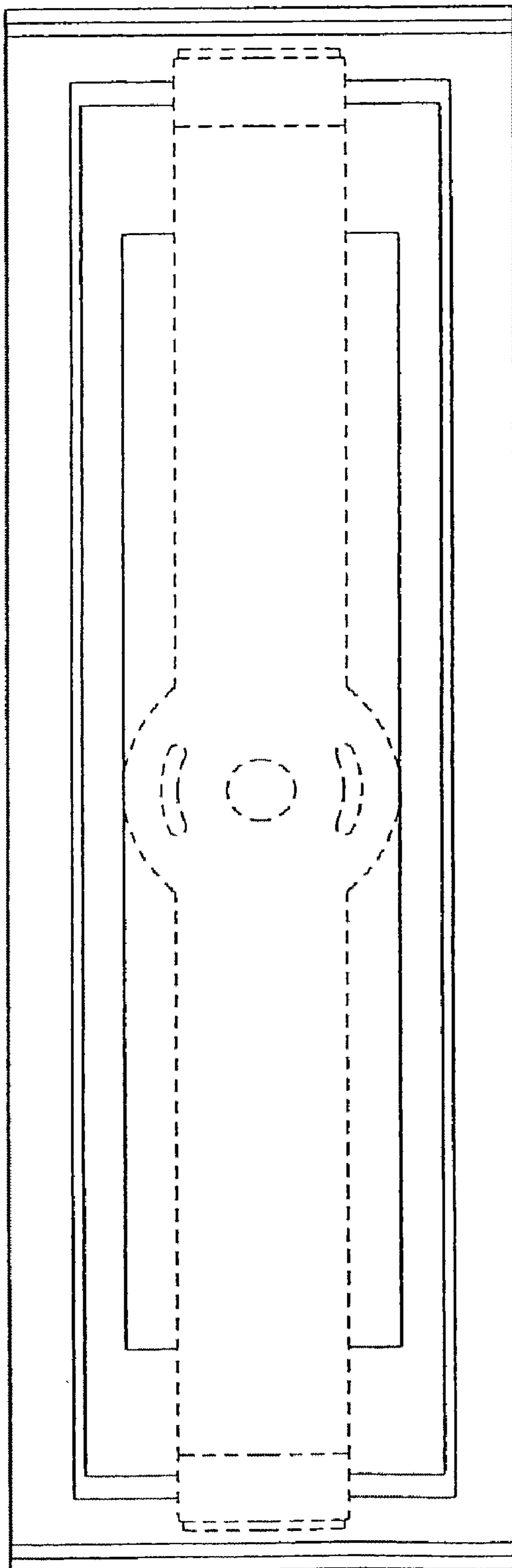


Figure 8

