



US00D654603S

(12) **United States Design Patent**
Chen

(10) **Patent No.:** **US D654,603 S**

(45) **Date of Patent:** **** Feb. 21, 2012**

(54) **SENSOR LIGHT BULB**

(76) **Inventor:** **Kaipo Chen**, Taoyuan Hsien (TW)

(**) **Term:** **14 Years**

(21) **Appl. No.:** **29/391,949**

(22) **Filed:** **May 16, 2011**

(51) **LOC (9) Cl.** **26-04**

(52) **U.S. Cl.** **D26/2**

(58) **Field of Classification Search** D26/1-4;
313/313, 315, 316, 317, 318, 493; 315/52,
315/53, 56, 57, 58

See application file for complete search history.

(56) **References Cited**

U.S. PATENT DOCUMENTS

D531,741 S	*	11/2006	Takahashi	D26/2
D534,665 S	*	1/2007	Egawa et al.	D26/2
D538,953 S	*	3/2007	Mama	D26/2
D617,915 S	*	6/2010	Wada et al.	D26/2

D628,720 S	*	12/2010	Wang	D26/2
D629,129 S	*	12/2010	Lin et al.	D26/2
D633,226 S	*	2/2011	Katsaros	D26/2

* cited by examiner

Primary Examiner — Marcus Jackson

(74) *Attorney, Agent, or Firm* — Leong C. Lei

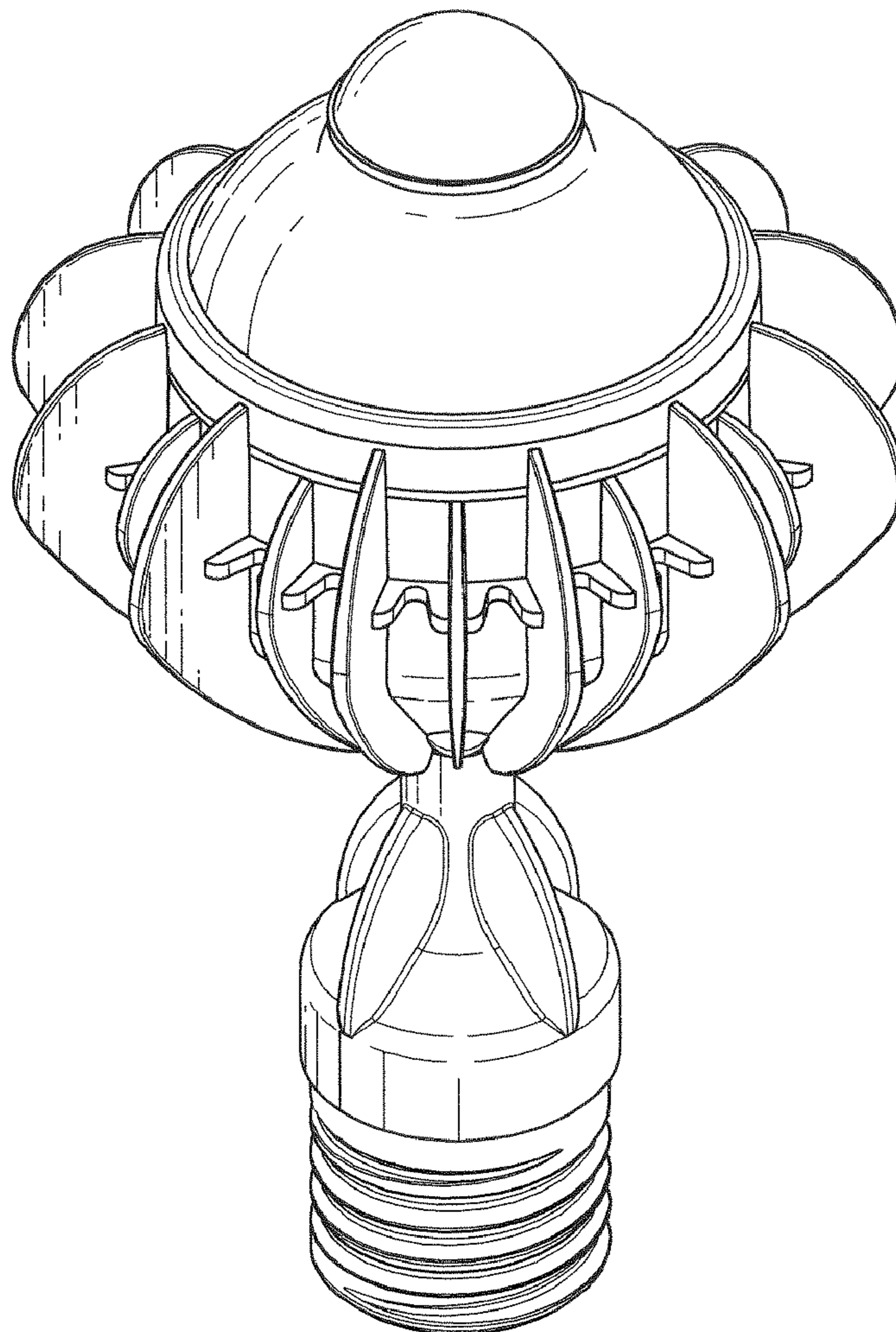
(57) **CLAIM**

The ornamental design for a sensor light bulb, as shown and described.

DESCRIPTION

FIG. 1 is a front perspective view of a sensor light bulb showing my new design;
FIG. 2 is a front elevational view thereof;
FIG. 3 is a rear elevational view thereof;
FIG. 4 is a left elevational view thereof;
FIG. 5 is a right elevational view thereof;
FIG. 6 is a top plan view thereof; and,
FIG. 7 is a bottom plan view thereof.

1 Claim, 6 Drawing Sheets



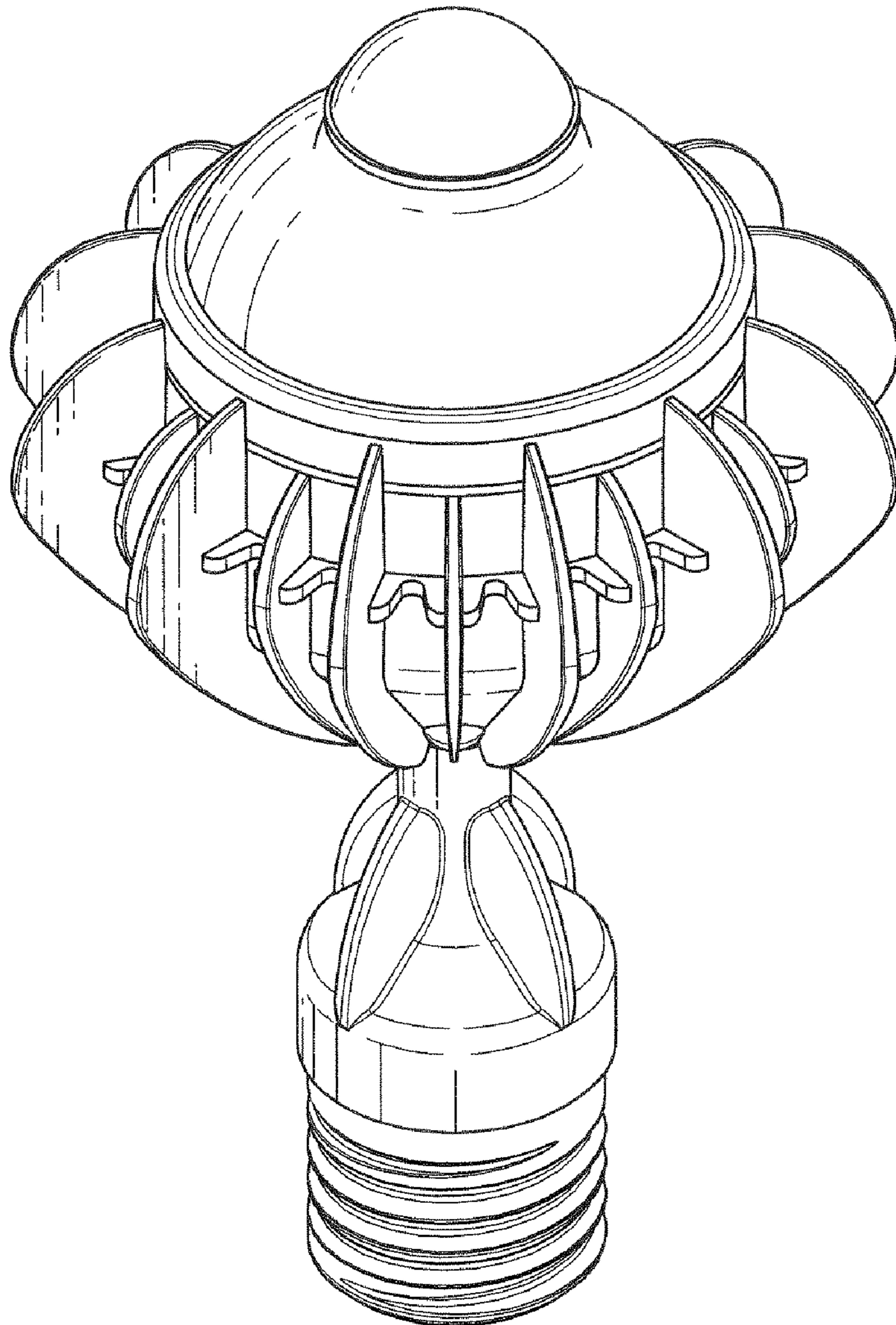


FIG. 1

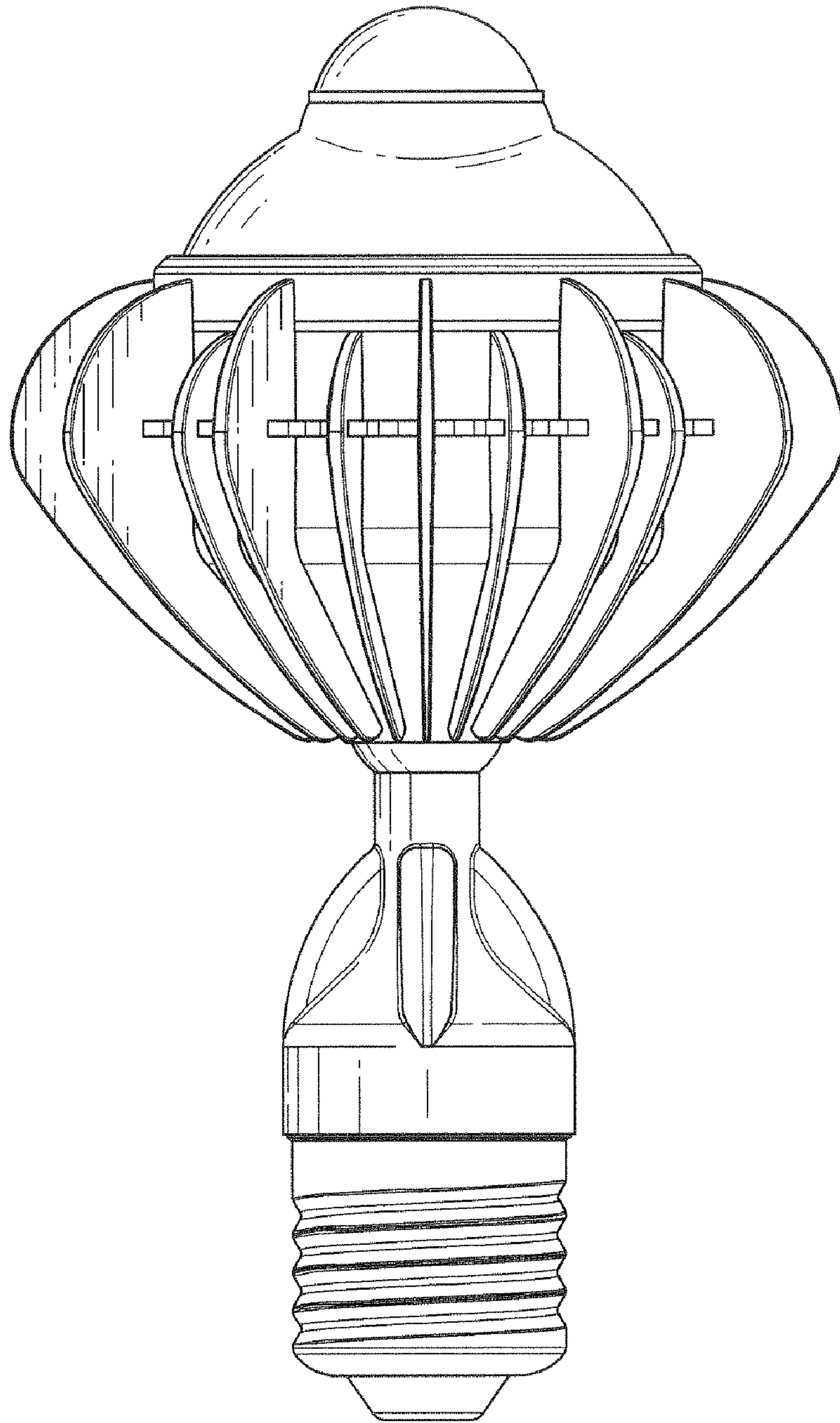


FIG. 2

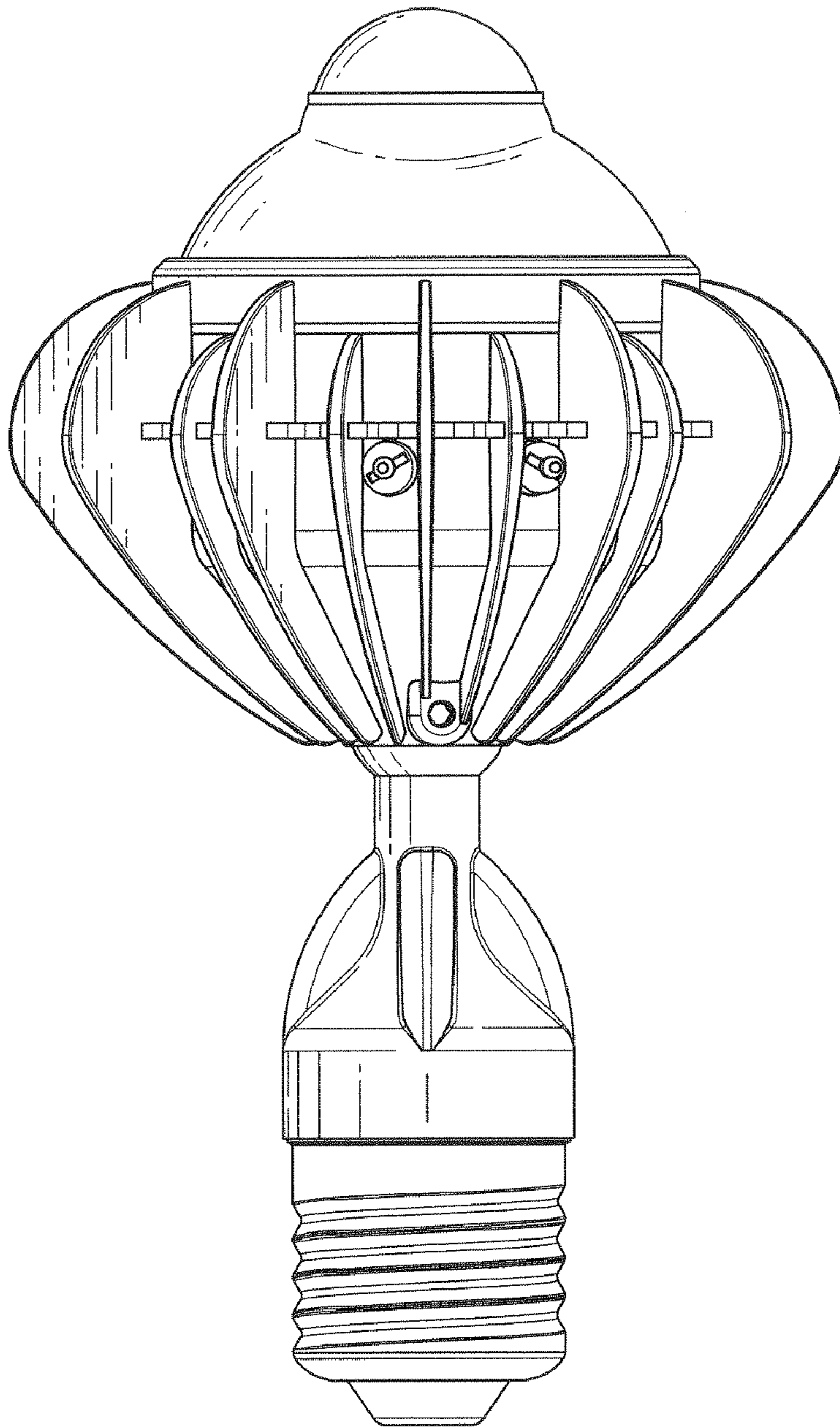


FIG. 3

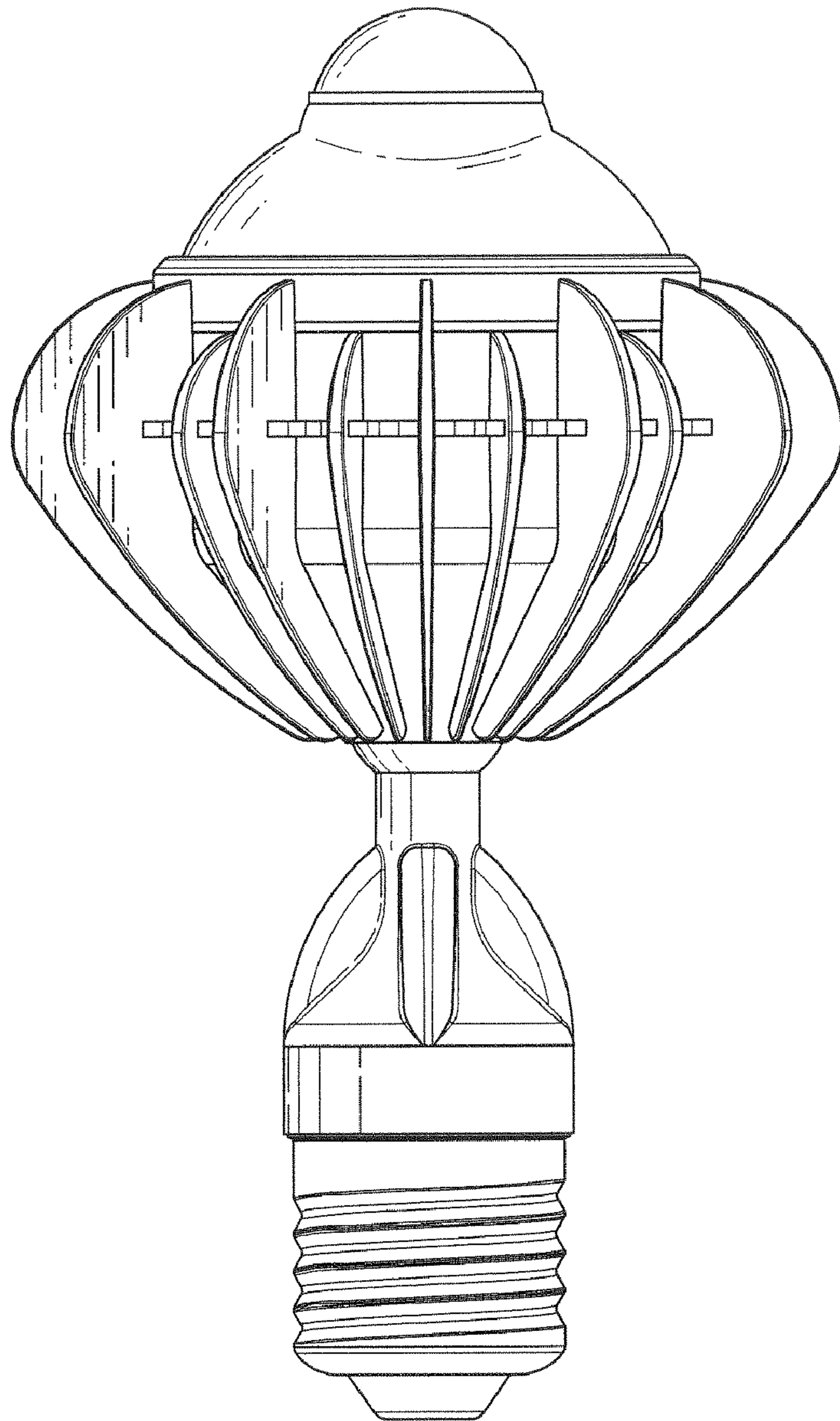


FIG. 4

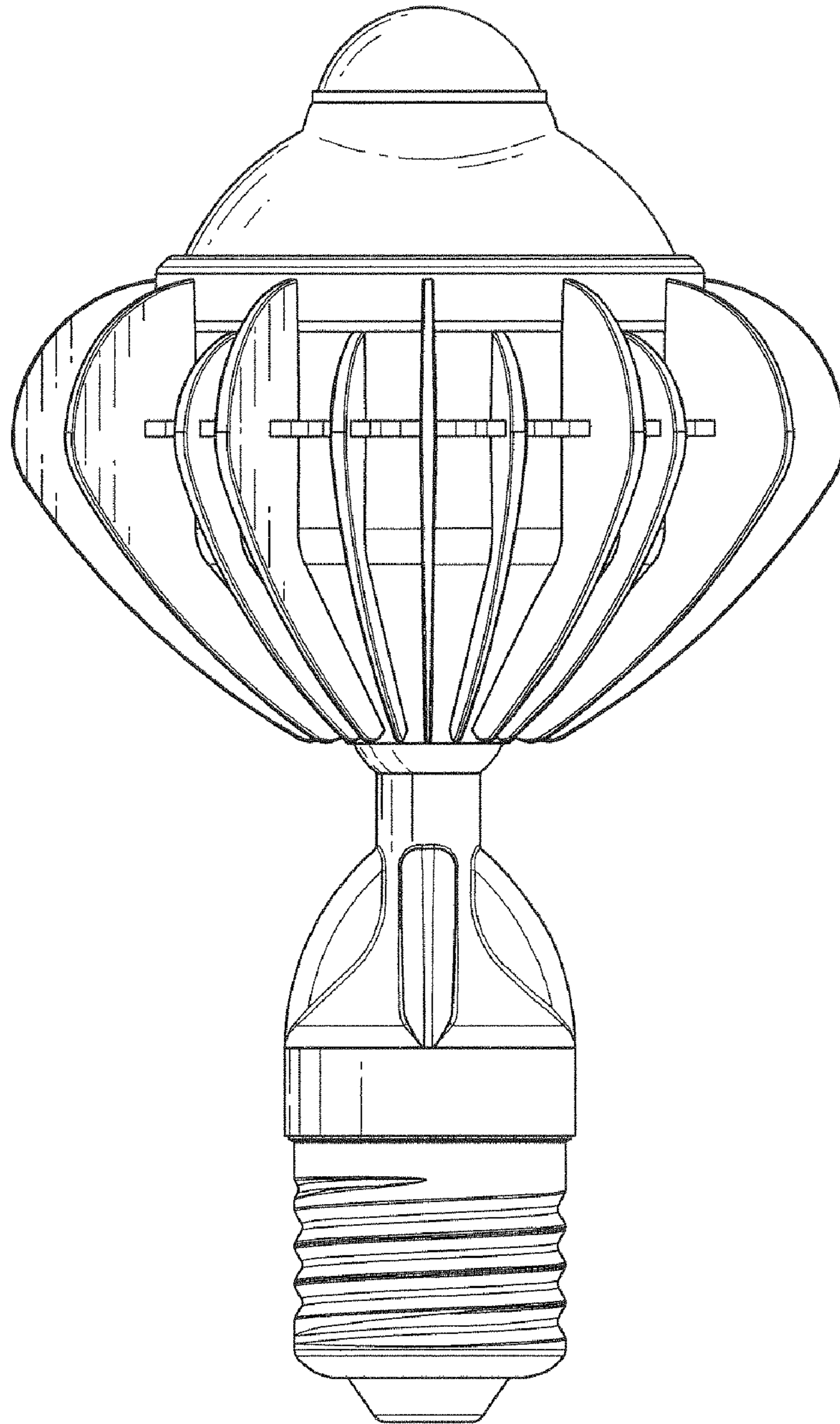


FIG. 5

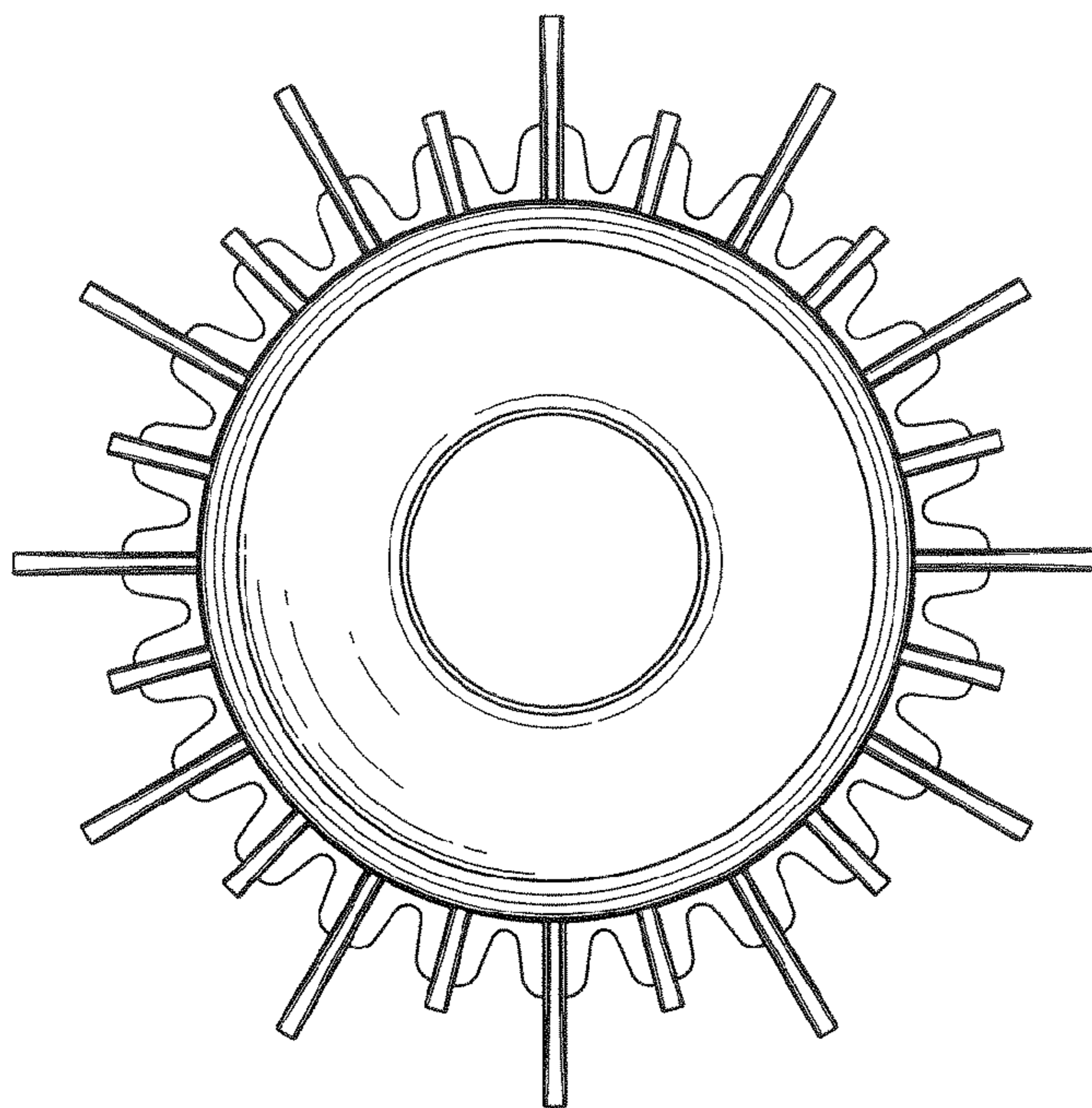


FIG. 6

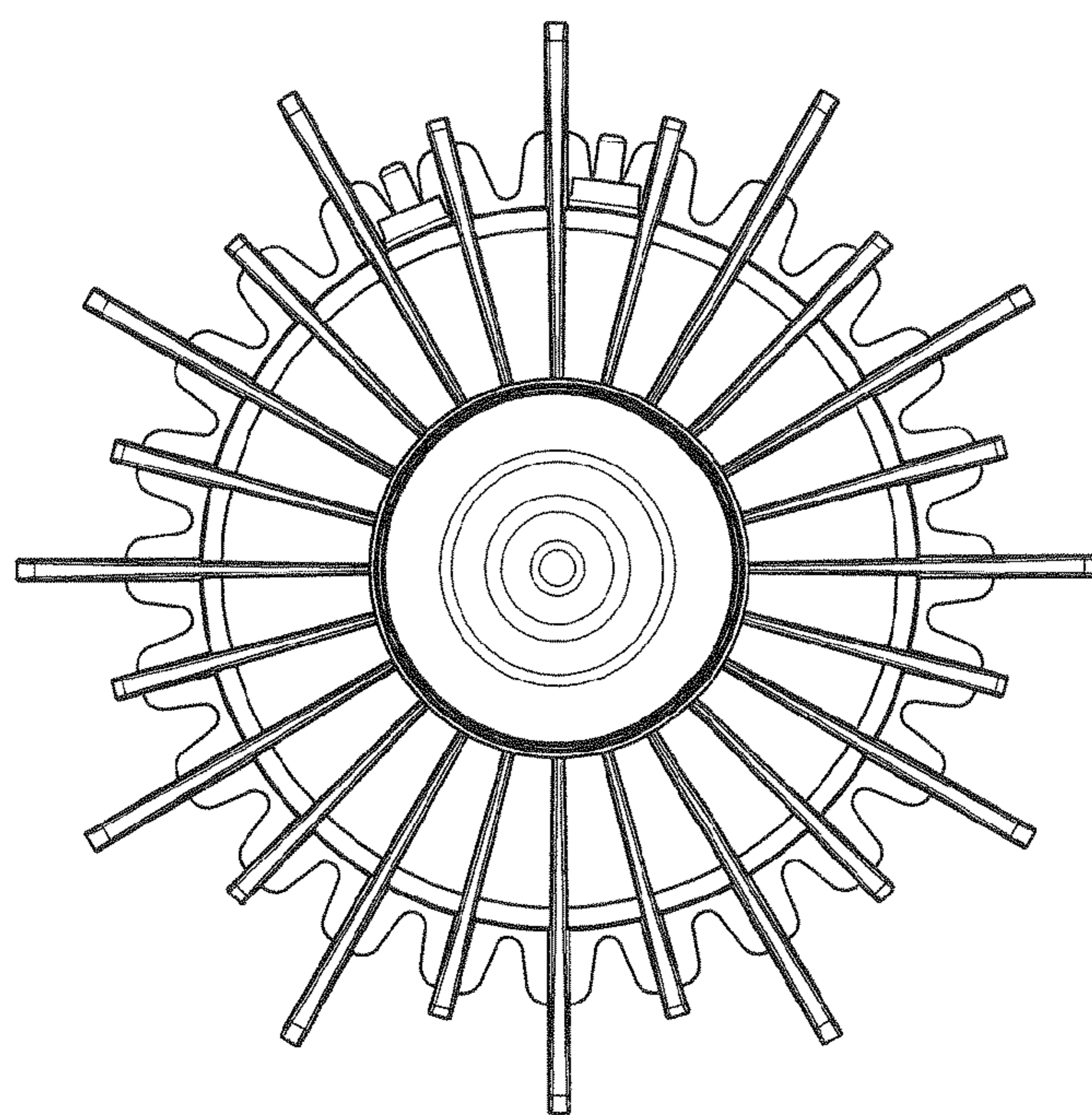


FIG. 7