

US00D654601S

(12) **United States Design Patent**  
**Li**

(10) **Patent No.:** **US D654,601 S**

(45) **Date of Patent:** **\*\* Feb. 21, 2012**

(54) **PORTION OF A LAMP STRUCTURE**

(75) Inventor: **Weizhong Li**, Zhangzhou (CN)

(73) Assignee: **Tsann Kuen (Zhangzhou) Enterprise Co., Ltd.**, Zhangzhou (CN)

(\*\*) Term: **14 Years**

(21) Appl. No.: **29/389,044**

(22) Filed: **Apr. 6, 2011**

(30) **Foreign Application Priority Data**

Oct. 8, 2010 (CN) ..... 2010 3 0543137

(51) **LOC (9) Cl.** ..... **26-04**

(52) **U.S. Cl.** ..... **D26/2**

(58) **Field of Classification Search** ..... D26/1-4;  
313/313, 315, 316, 317, 318, 493; 315/52,  
315/53, 56, 57, 58

See application file for complete search history.

(56) **References Cited**

**U.S. PATENT DOCUMENTS**

D516,229 S \* 2/2006 Tang ..... D26/2

D527,119 S \* 8/2006 Maxik et al. .... D26/2

D528,227 S \* 9/2006 Chou et al. .... D26/2

D560,286 S \* 1/2008 Maxik et al. .... D26/2

D566,300 S \* 4/2008 Lo ..... D26/2

D570,504 S \* 6/2008 Maxik et al. .... D26/2

D601,279 S \* 9/2009 Ou et al. .... D26/2

\* cited by examiner

*Primary Examiner* — Marcus Jackson

(74) *Attorney, Agent, or Firm* — Rabin & Berdo, P.C.

(57) **CLAIM**

The ornamental design for a portion of a lamp structure as shown and described.

**DESCRIPTION**

FIG. 1 is a front view of a portion of a lamp structure showing my new design;

FIG. 2 is a rear view thereof;

FIG. 3 is a left side view thereof;

FIG. 4 is a right side view thereof;

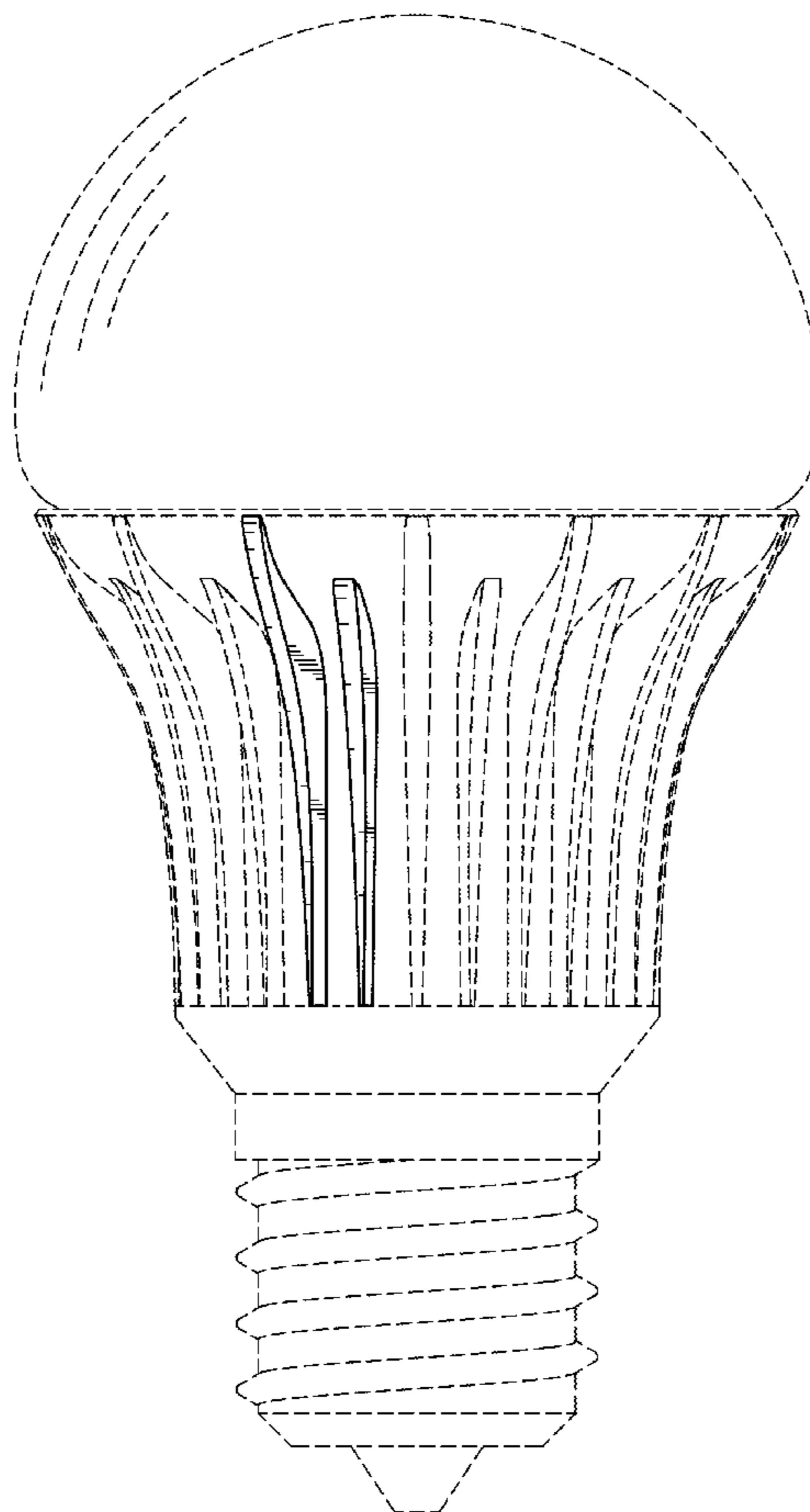
FIG. 5 is a top plan view thereof;

FIG. 6 is a bottom plan view thereof; and,

FIG. 7 is a perspective view thereof.

The broken lines showing in Figures are for illustrative purposes only and form no part of the claimed design.

**1 Claim, 7 Drawing Sheets**



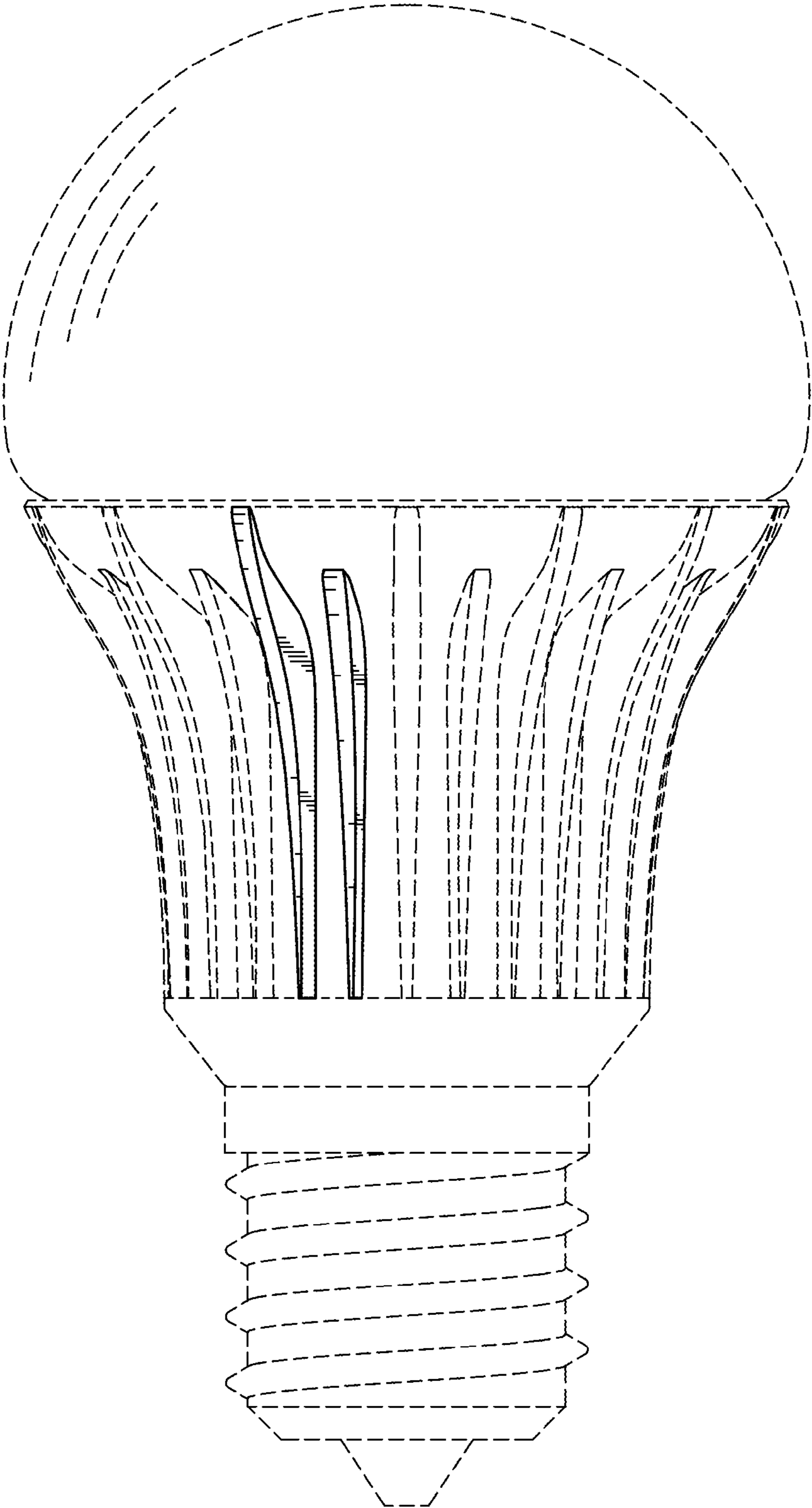


Fig. 1

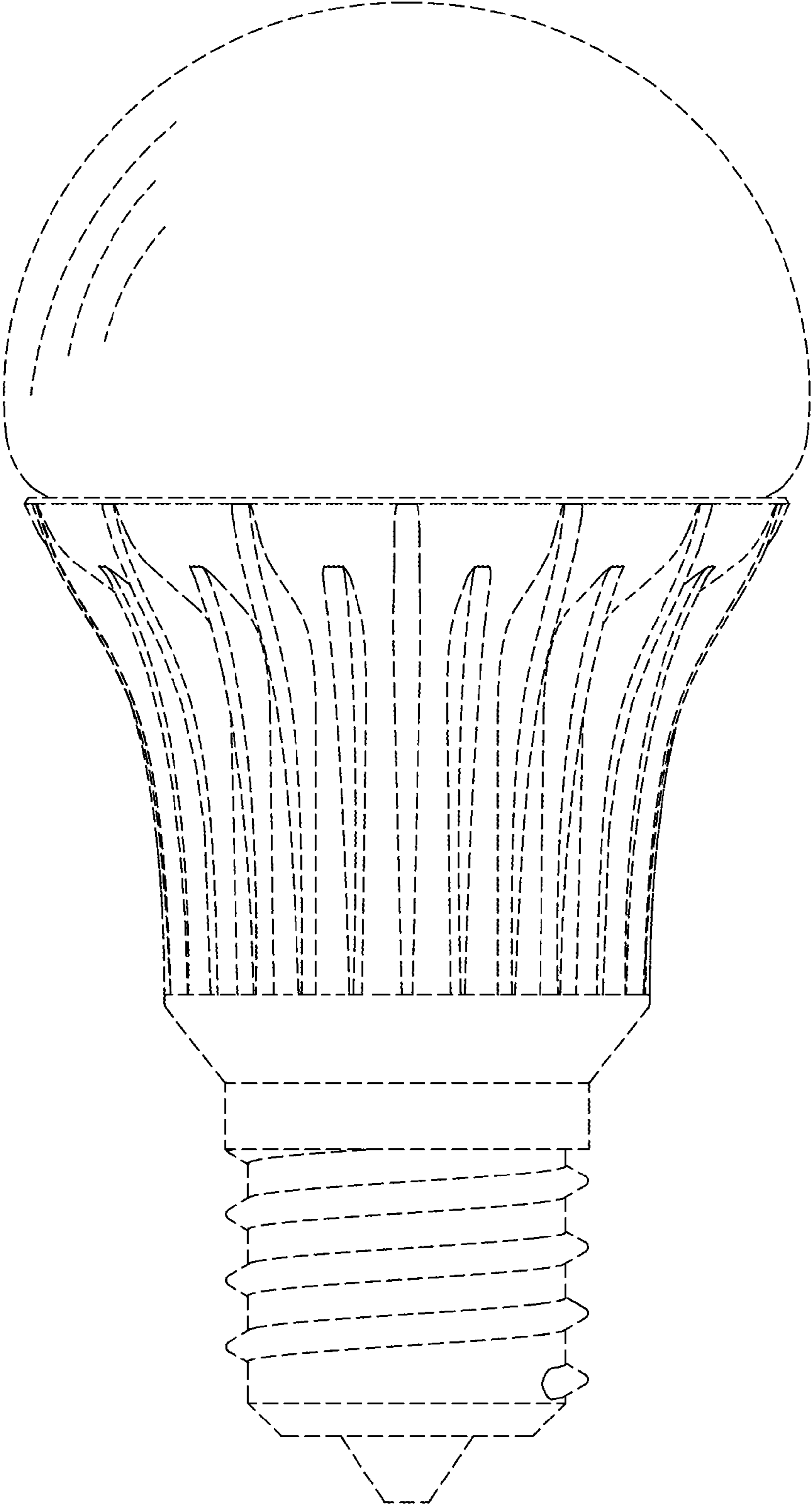


Fig. 2

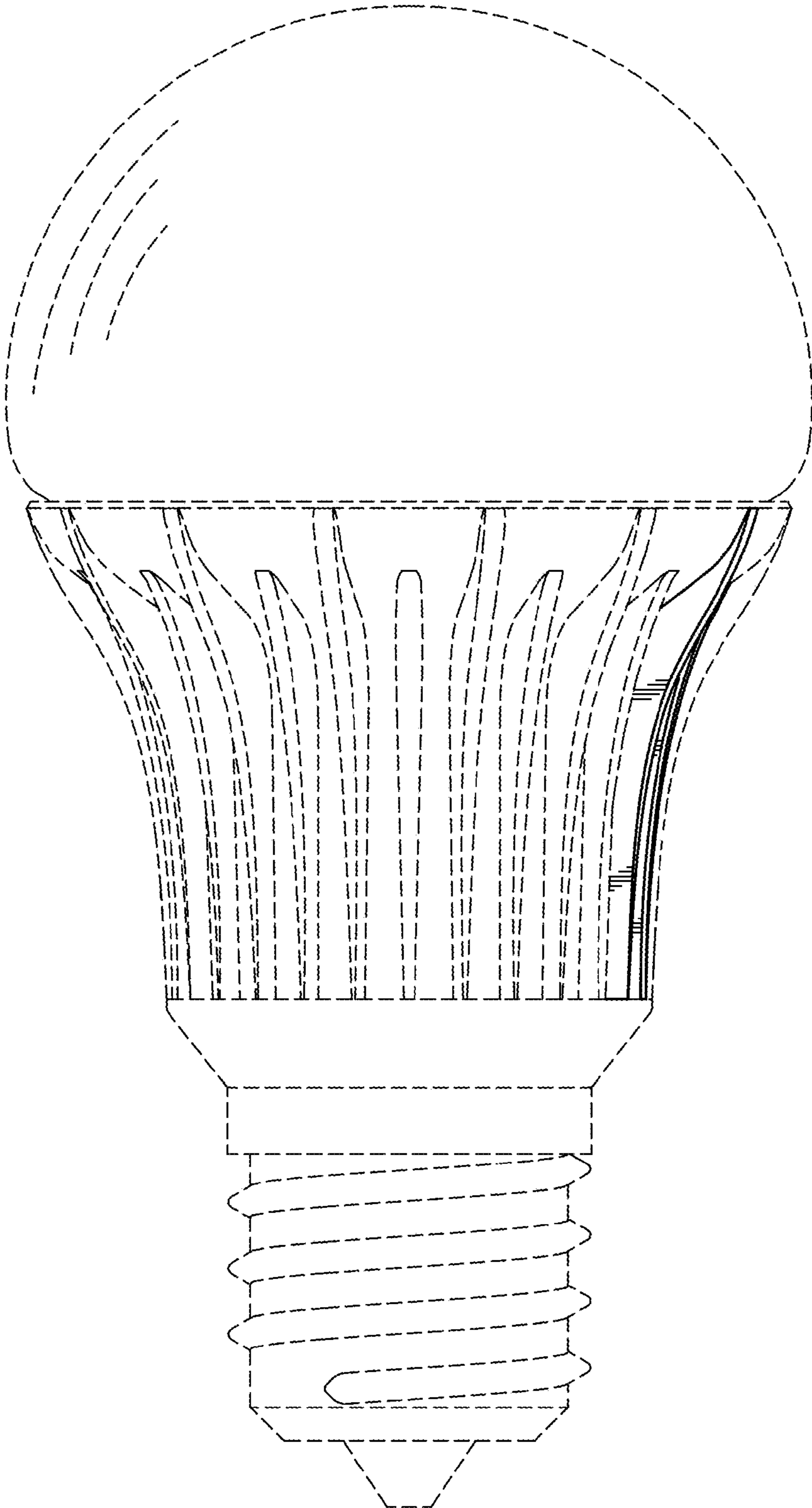


Fig. 3

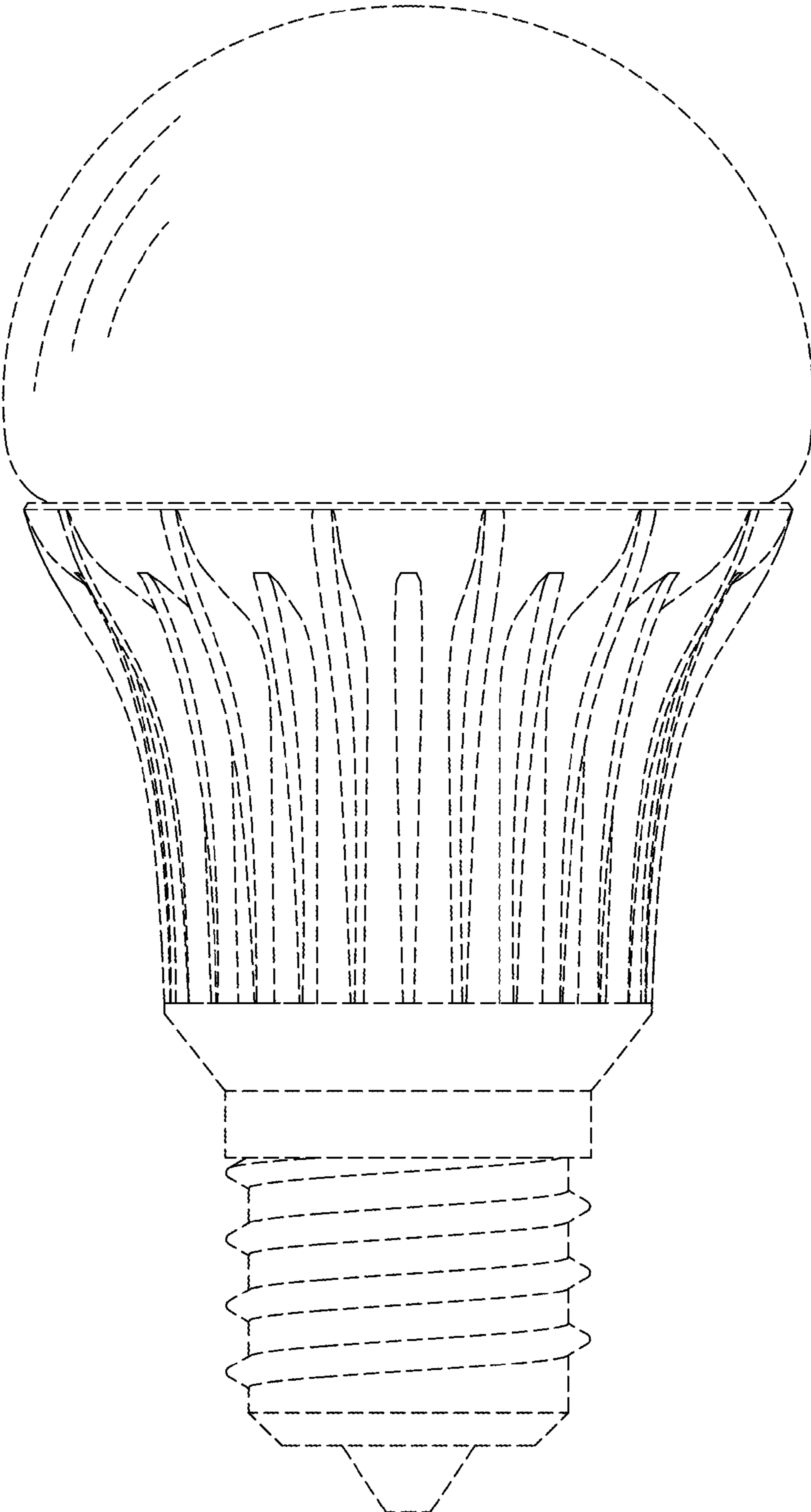
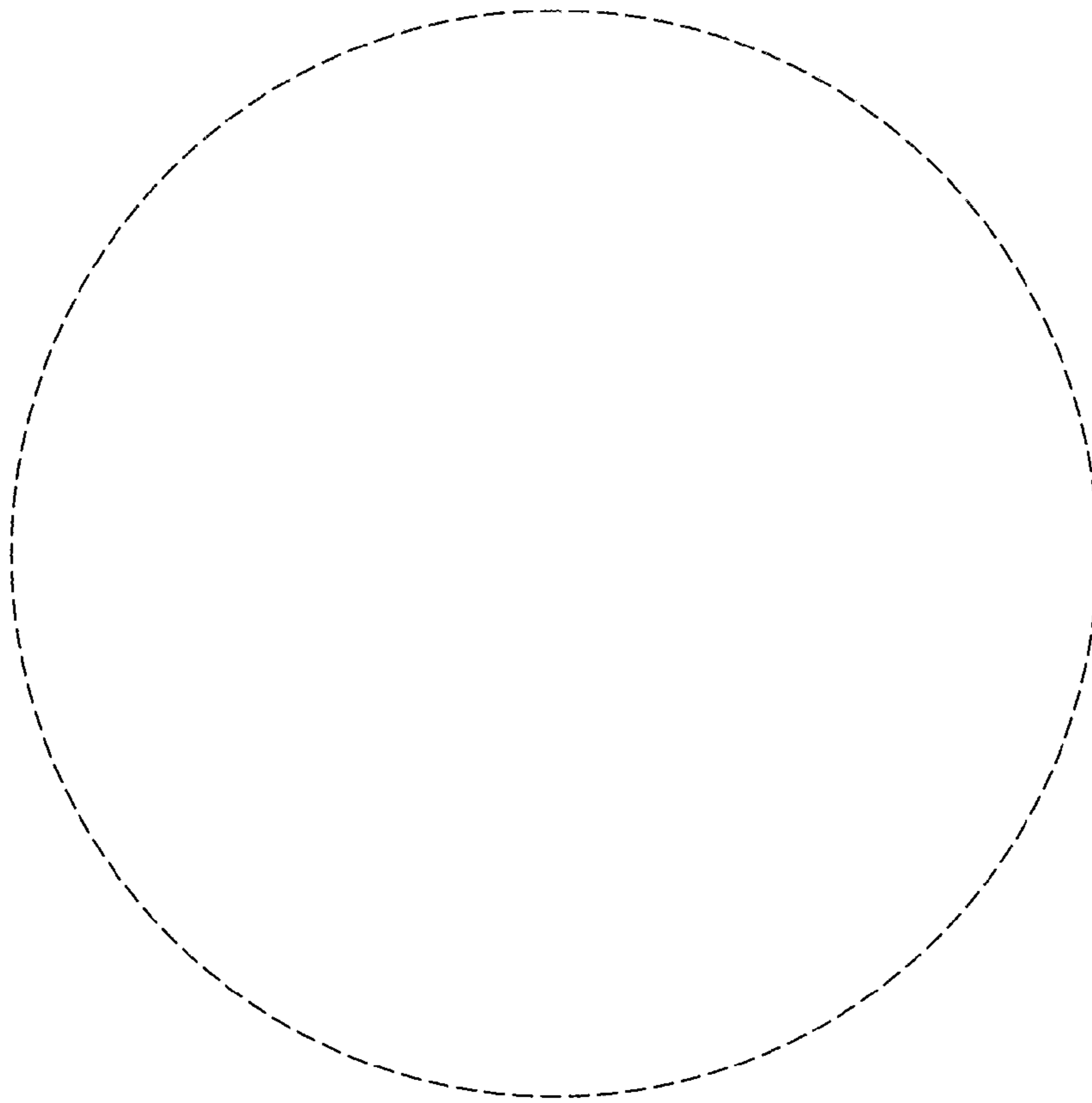


Fig. 4



**Fig. 5**

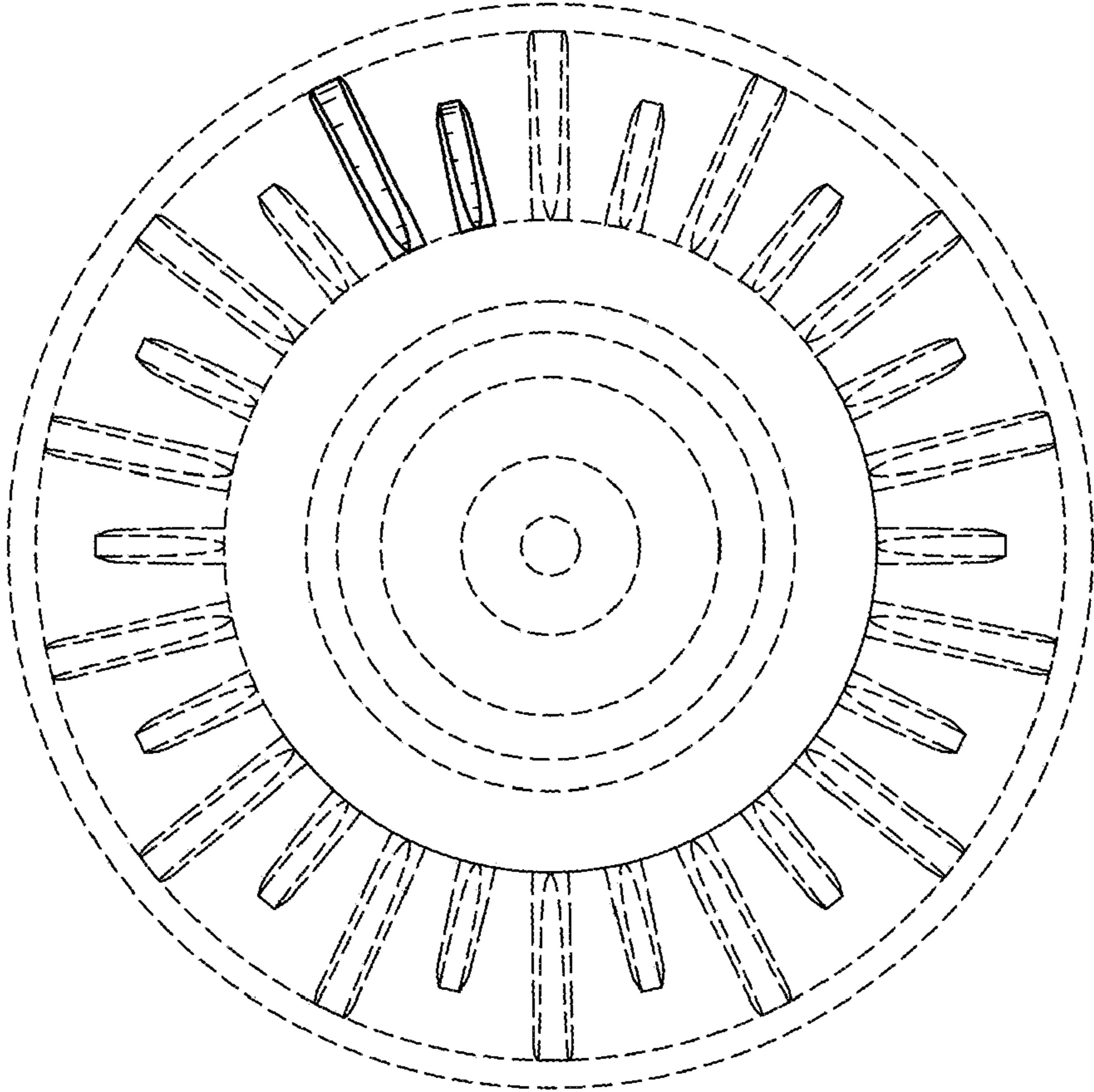


Fig. 6

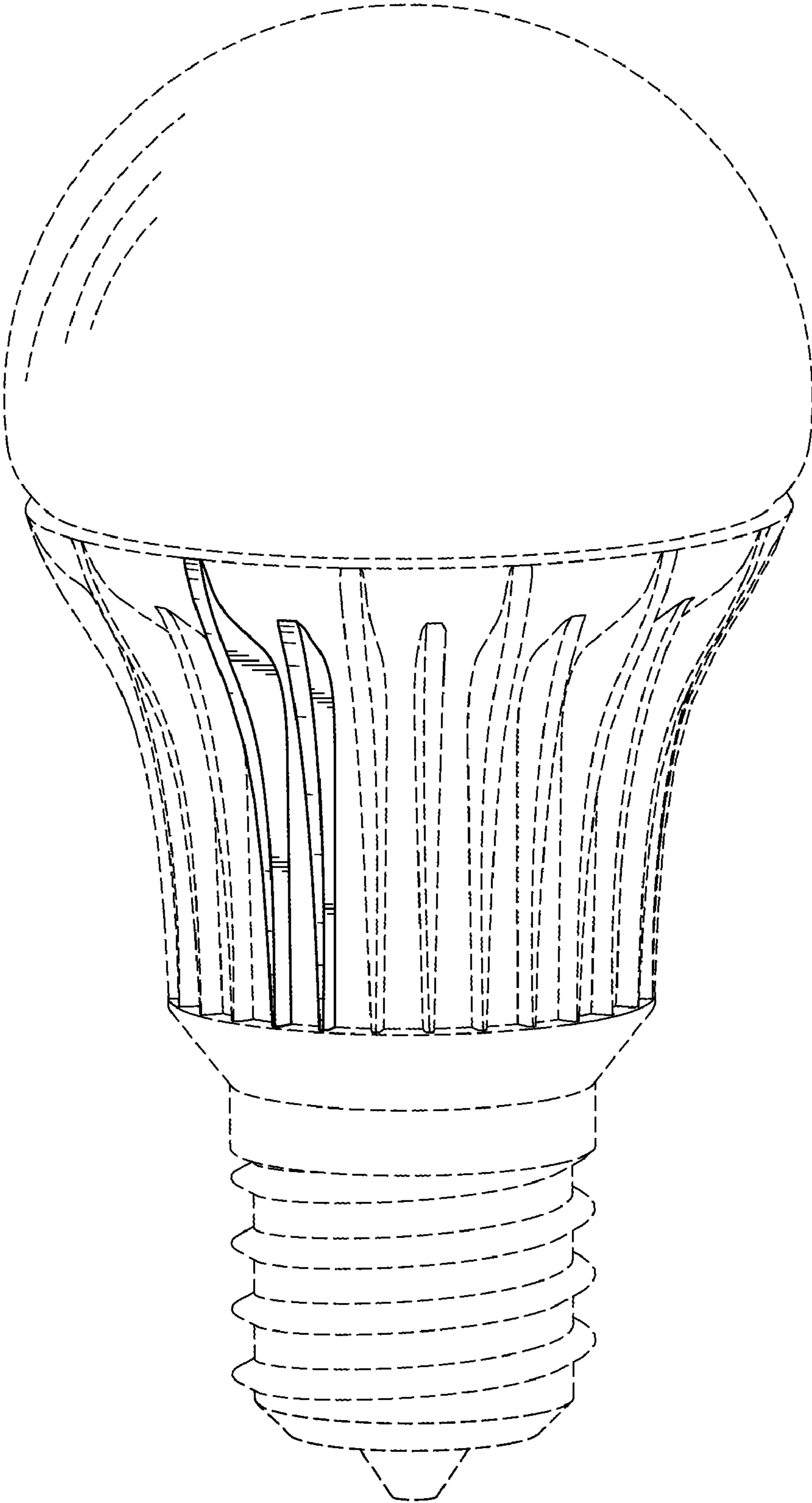


Fig. 7