



US00D654600S

(12) **United States Design Patent**  
**Devine et al.**

(10) **Patent No.:** **US D654,600 S**  
(45) **Date of Patent:** **\*\* Feb. 21, 2012**

(54) **RADIANT TUBE SECURING PANEL**

(76) Inventors: **Thomas Joseph Devine**, Watertown, SD (US); **Matthew Brant Frey**, Watertown, SD (US)

(\*\*) Term: **14 Years**

(21) Appl. No.: **29/380,296**

(22) Filed: **Dec. 2, 2010**

(51) **LOC (9) Cl.** ..... **25-01**

(52) **U.S. Cl.** ..... **D25/138**

(58) **Field of Classification Search** ..... D25/125, D25/138; 52/403.1, 393, 385, 319, 220.4; 165/53, 56; 392/432, 435; 232/69

See application file for complete search history.

(56) **References Cited**

U.S. PATENT DOCUMENTS

3,795,272	A	3/1974	Kahn	
4,508,162	A	4/1985	Radtke	
4,588,125	A	5/1986	Lutz	
4,646,814	A	3/1987	Fennesz	
5,042,569	A	8/1991	Siegmund	
5,327,737	A	7/1994	Eggemar	
5,957,378	A	9/1999	Fiedrich	
D426,321	S *	6/2000	Lockwood	..... D25/138

6,330,980	B1 *	12/2001	Fiedrich	..... 237/69
6,412,243	B1	7/2002	Sutelan	
6,621,983	B2	9/2003	Thorin	
6,739,097	B1 *	5/2004	Rodin	..... 52/71
7,187,854	B2	3/2007	Sauvageau	
2004/0055224	A1	3/2004	Kuga	
2005/0193670	A1 *	9/2005	Niese et al.	..... 52/403.1
2010/0095613	A1	4/2010	Paetkau	

\* cited by examiner

*Primary Examiner* — Doris Clark

(57) **CLAIM**

The ornamental design for a radiant tube securing panel, as shown and described.

**DESCRIPTION**

FIG. 1 is a top perspective view of a radiant tube securing panel showing my new design, the areas in phantom forming no portion of the claimed design; FIG. 2 is a top plan view of the radiant tube securing panel; FIG. 3 is a side elevated view of the radiant tube securing panel; FIG. 4 is a bottom plan view of the radiant tube securing panel; and, FIG. 5 is a front elevated view of the radiant tube securing panel.

**1 Claim, 3 Drawing Sheets**

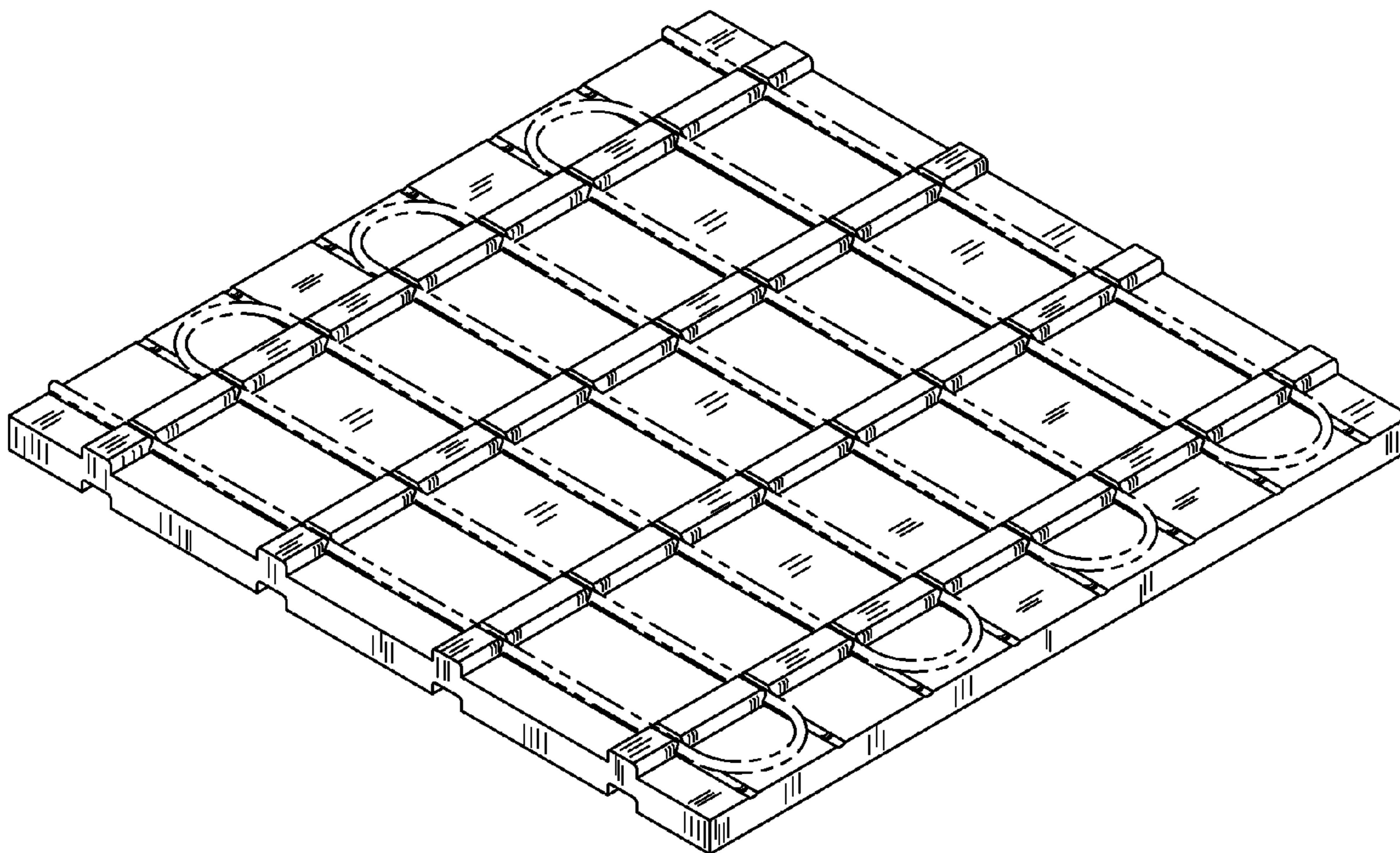


FIG. 1

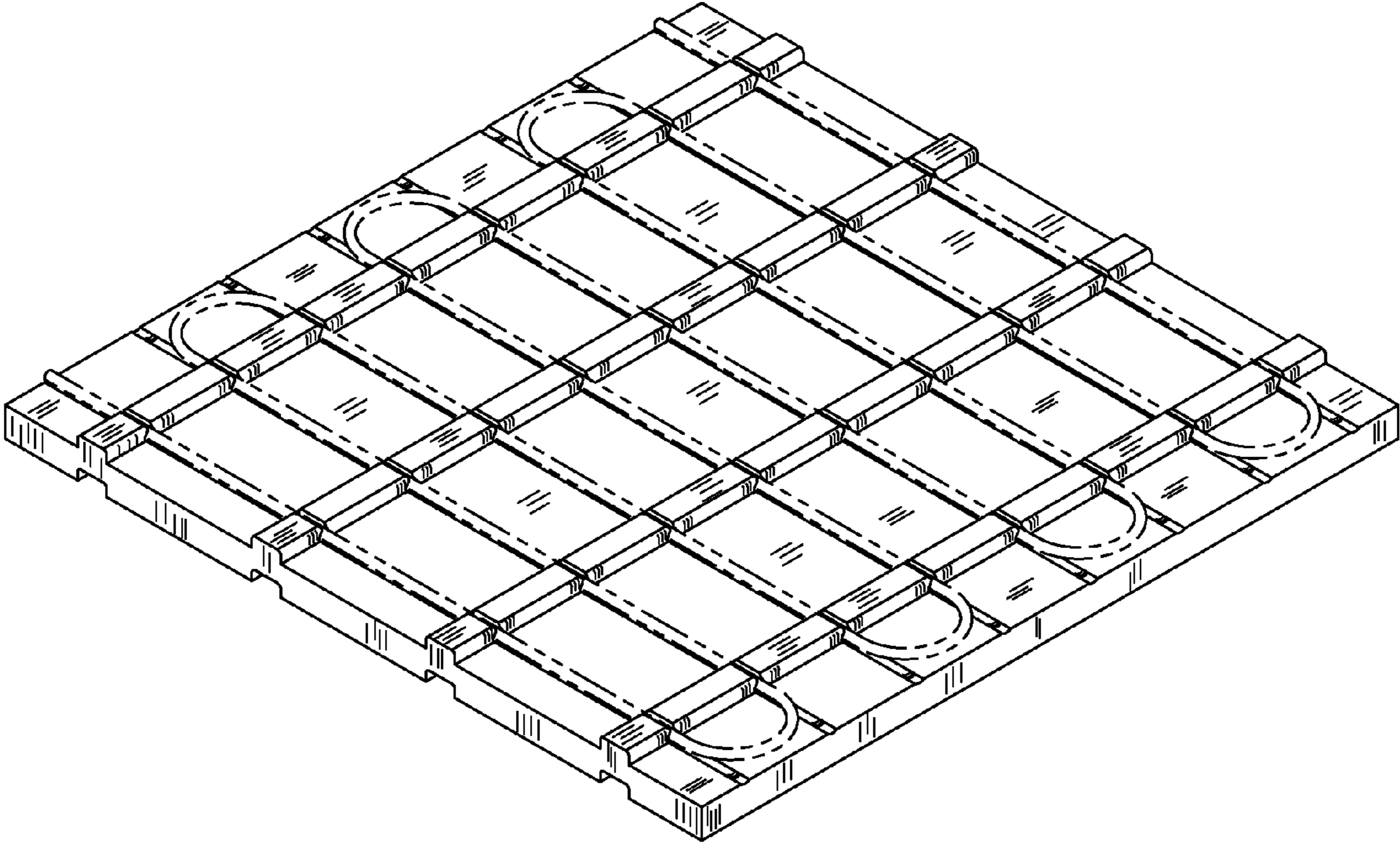


FIG. 2

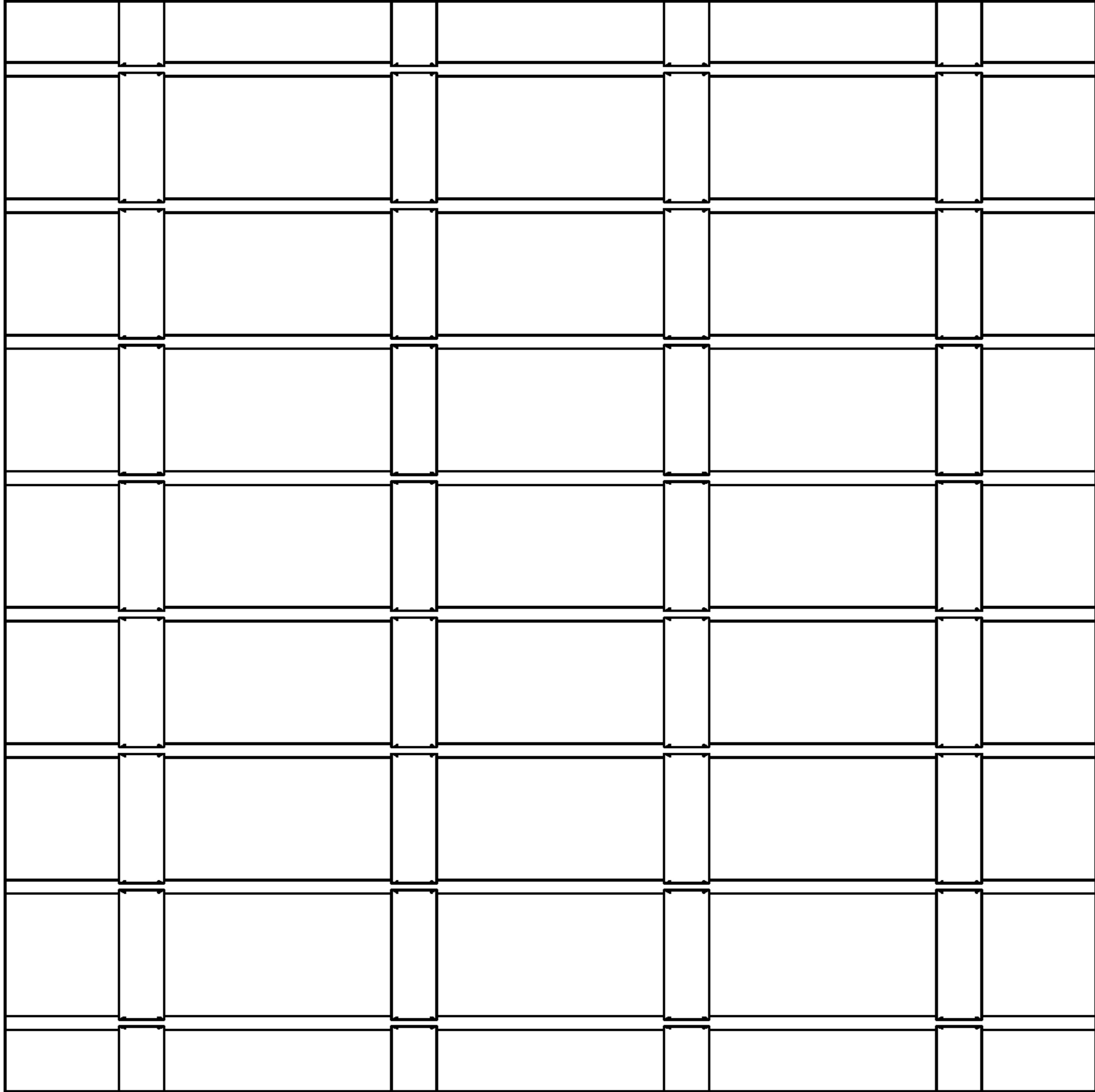


FIG. 3

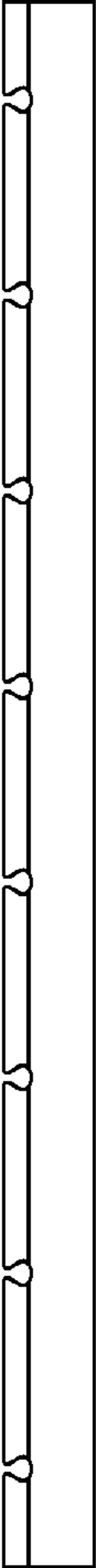


FIG. 4

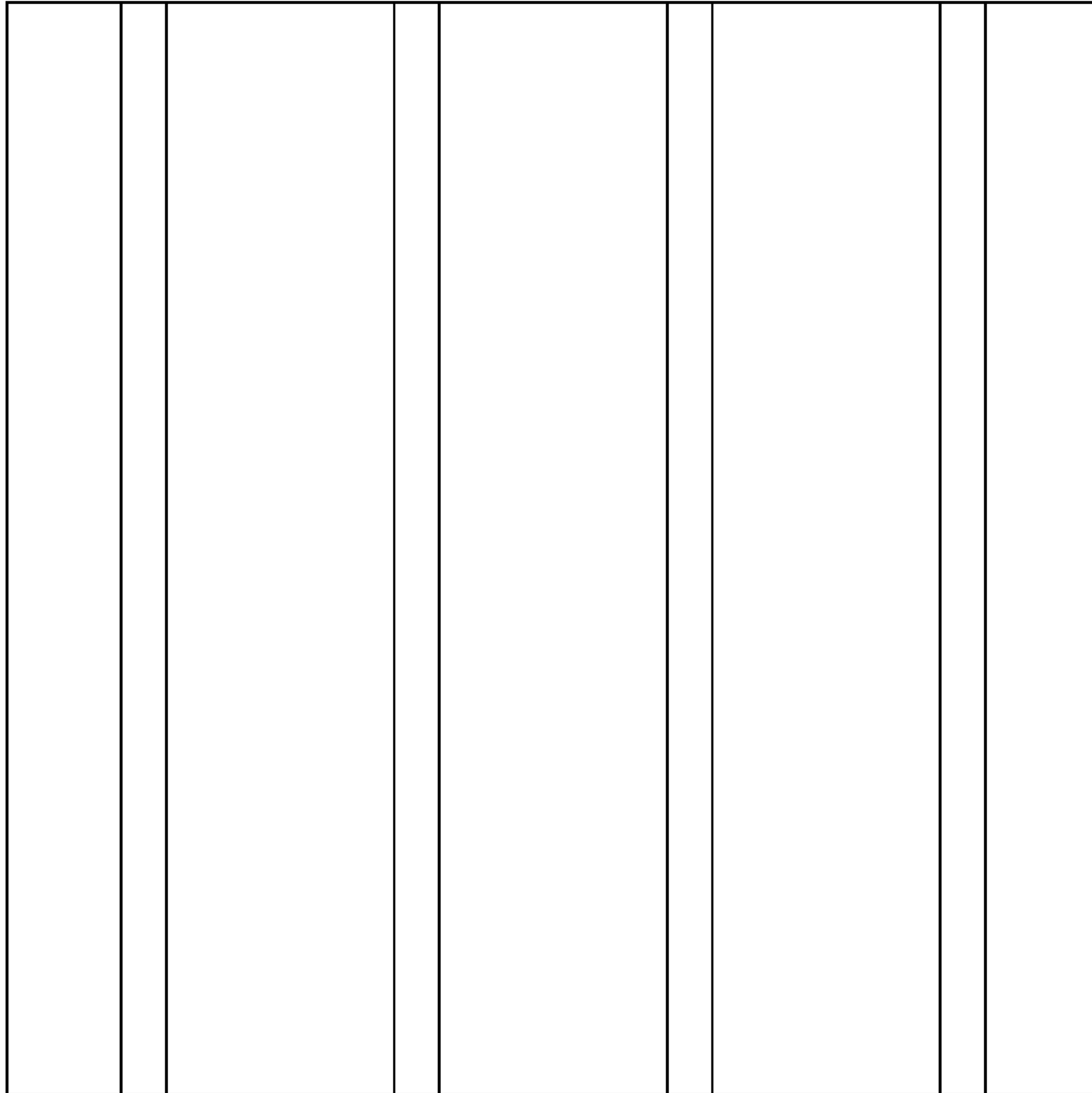


FIG. 5

