



US00D654599S

(12) **United States Design Patent**
Cupec

(10) **Patent No.:** **US D654,599 S**

(45) **Date of Patent:** **** Feb. 21, 2012**

(54) **DECKING BOARD**

(76) Inventor: **Anthony R. Cupec**, Elizabeth, PA (US)

(**) Term: **14 Years**

(21) Appl. No.: **29/324,291**

(22) Filed: **Sep. 10, 2008**

(51) **LOC (9) Cl.** **25-01**

(52) **U.S. Cl.** **D25/138**

(58) **Field of Classification Search** D25/139,
D25/140, 141, 143, 144, 150, 163; 428/47,
428/48, 49, 77, 141, 142, 143, 194; 52/518,
52/546, 554, 555, 557, 559

See application file for complete search history.

(56) **References Cited**

U.S. PATENT DOCUMENTS

2,041,032	A *	5/1936	Van Der Pyl	404/21
D124,173	S *	12/1940	Galtieri	D25/69
4,122,236	A *	10/1978	Holman	428/453
4,127,636	A *	11/1978	Flanders	264/113
5,135,597	A *	8/1992	Barker	156/264
5,248,541	A *	9/1993	Tilby	428/106
5,474,831	A *	12/1995	Nystrom	428/174
D585,738	S *	2/2009	Zeyfang	D9/443
2003/0221387	A1 *	12/2003	Shah	52/592.1
2004/0020152	A1 *	2/2004	Harris, Sr.	52/582.1
2004/0250505	A1 *	12/2004	Leek et al.	52/747.1

2005/0158501	A1 *	7/2005	O'Connor	428/40.1
2005/0170166	A1 *	8/2005	Bacon et al.	428/301.4
2007/0090122	A1 *	4/2007	W. Zeyfang	220/805
2007/0289232	A1 *	12/2007	Croistic	52/309.1
2008/0003395	A1 *	1/2008	Cui et al.	428/57
2010/0223870	A1 *	9/2010	Betts	52/309.1

FOREIGN PATENT DOCUMENTS

JP 2003175504 A * 6/2003

* cited by examiner

Primary Examiner — Michael Pratt

(74) *Attorney, Agent, or Firm* — Buchanan Ingersoll & Rooney PC

(57) **CLAIM**

The ornamental design for a decking board, as shown and described.

DESCRIPTION

FIG. 1 is a top perspective view of my decking board.

FIG. 2 is a right end view thereof, the left end being a mirror image thereof.

FIG. 3 is a top view thereof.

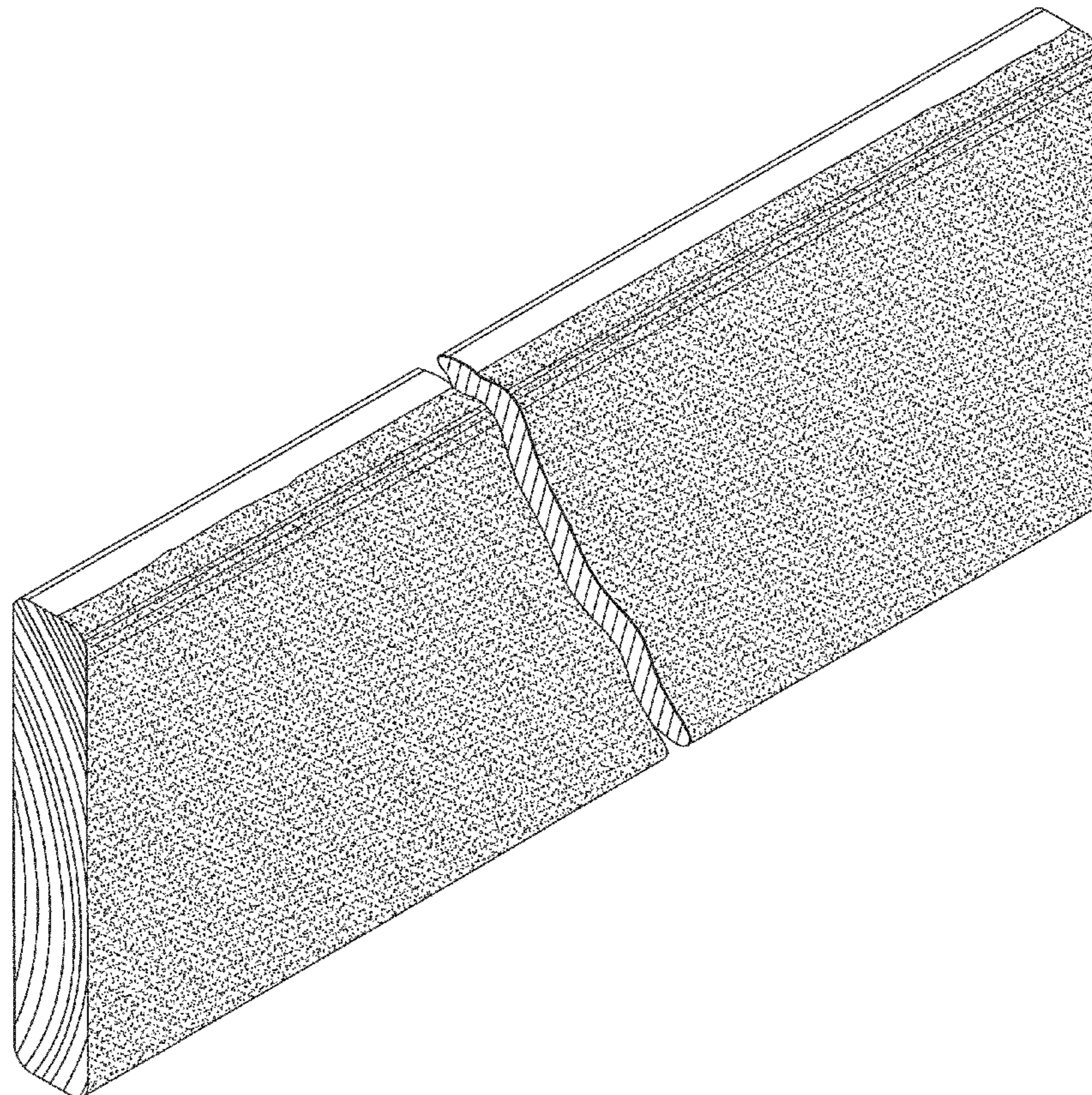
FIG. 4 is a bottom view thereof; and,

FIG. 5 is a side view thereof.

The shading in FIGS. 1, 3 and 5 is intended to indicate a coarse surface coating.

In all drawing views the decking board is fragmented to indicate indeterminate length.

1 Claim, 2 Drawing Sheets



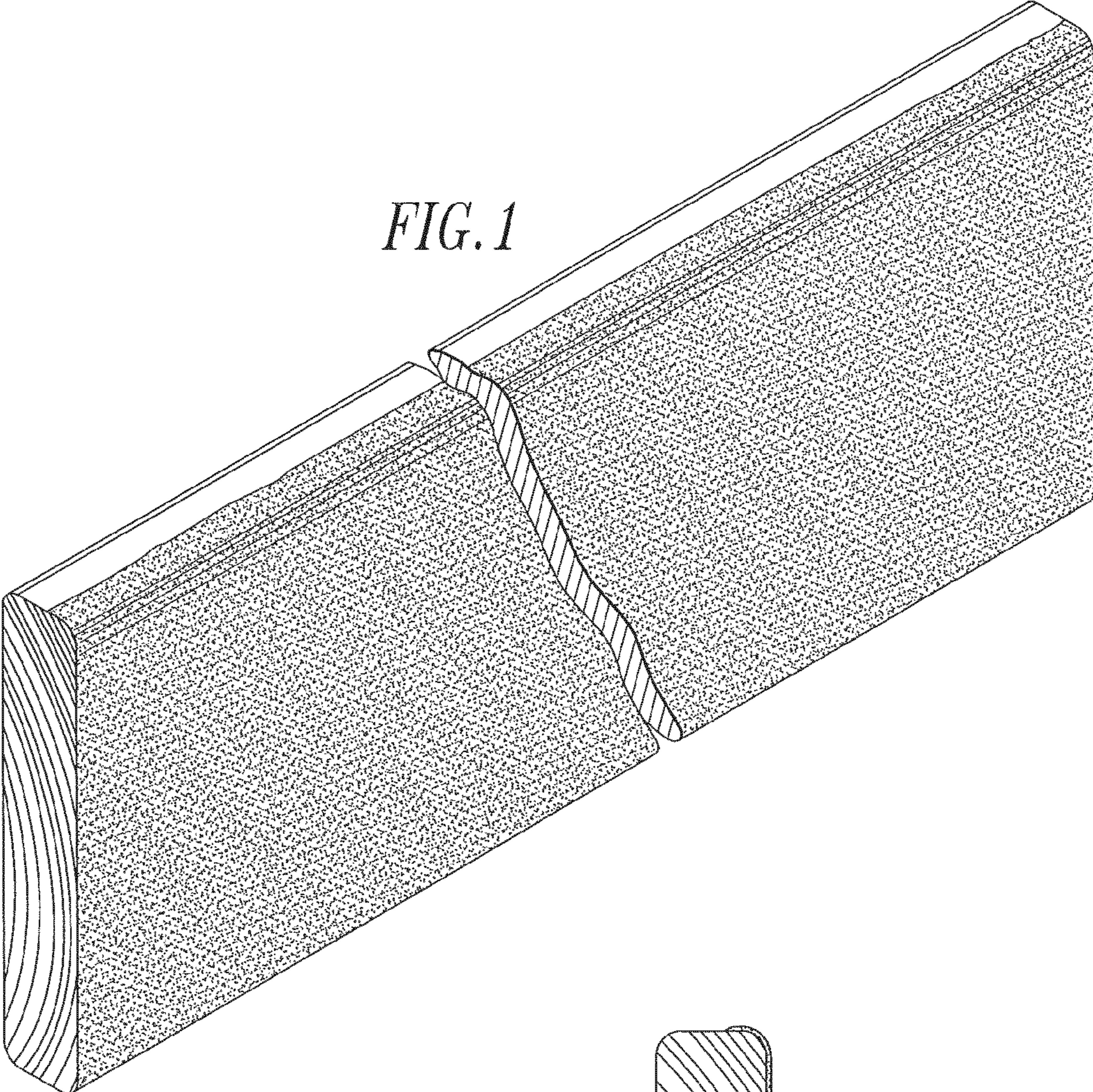


FIG. 1

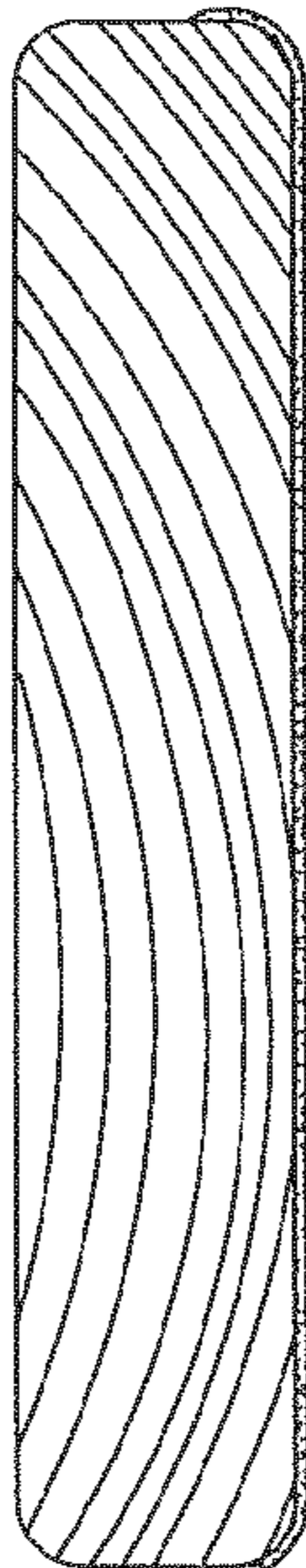


FIG. 2

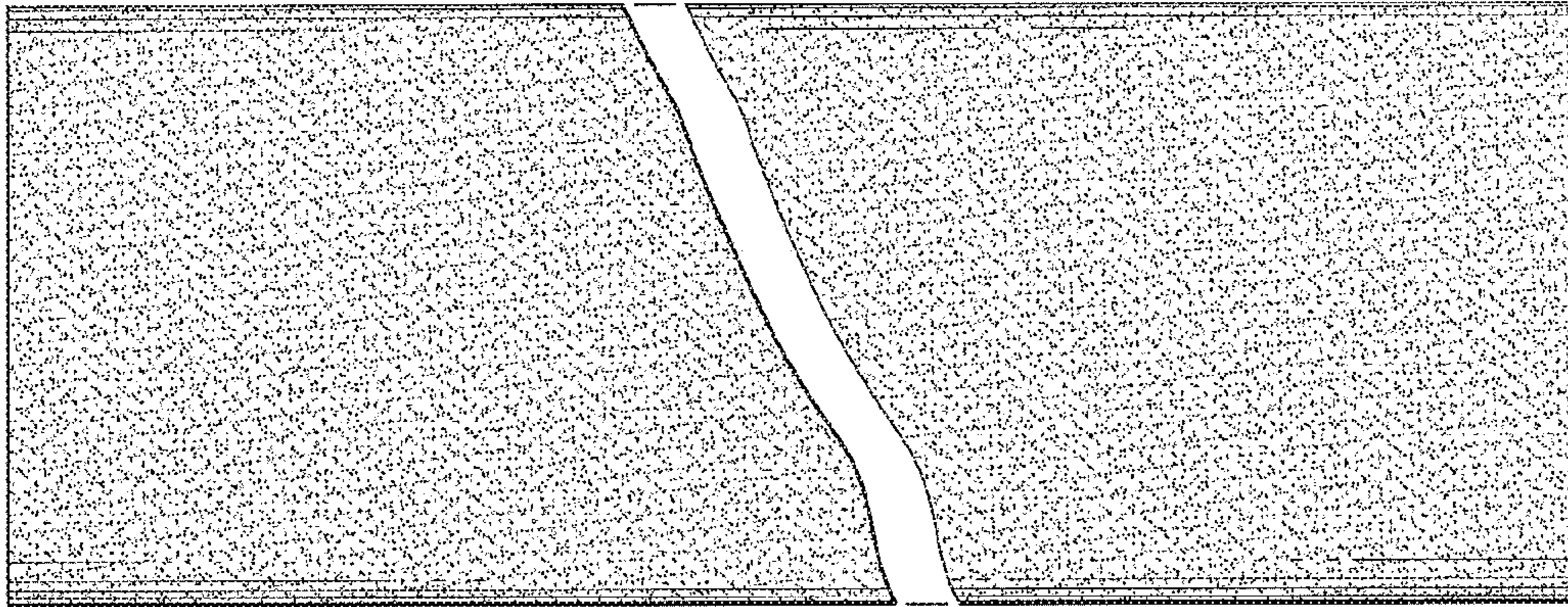


FIG. 3

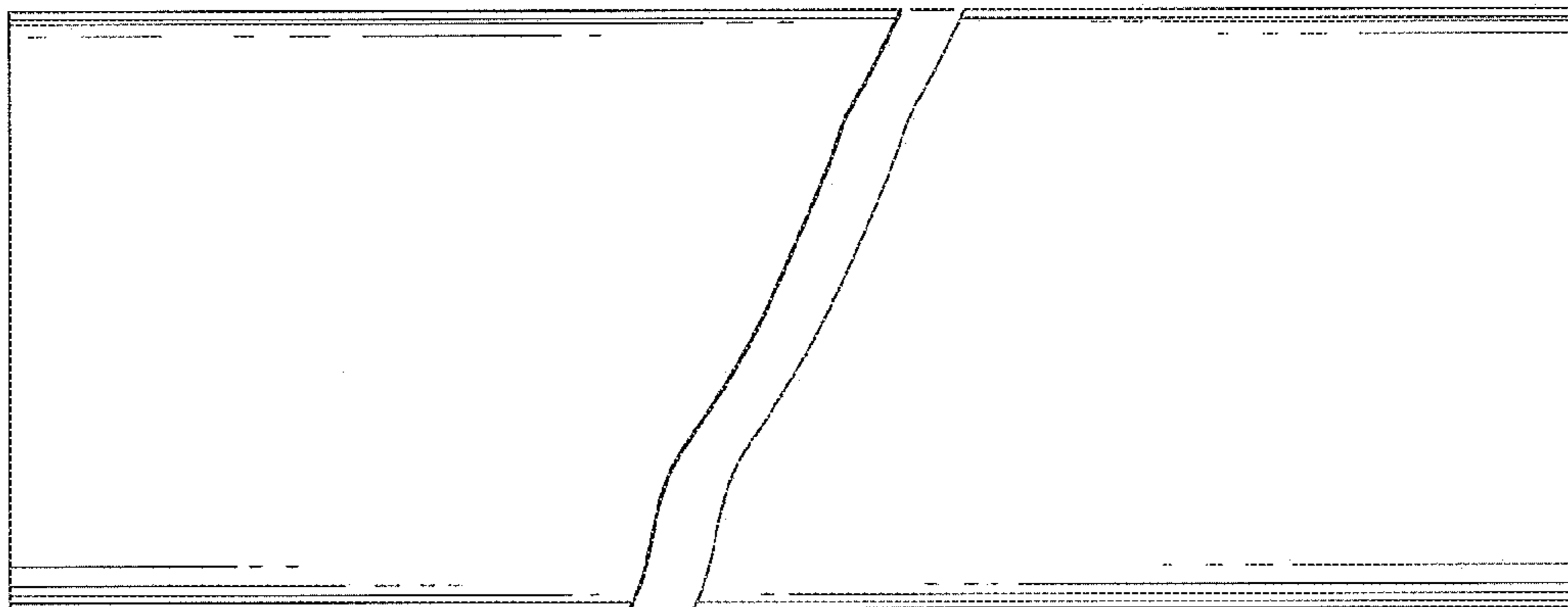


FIG. 4

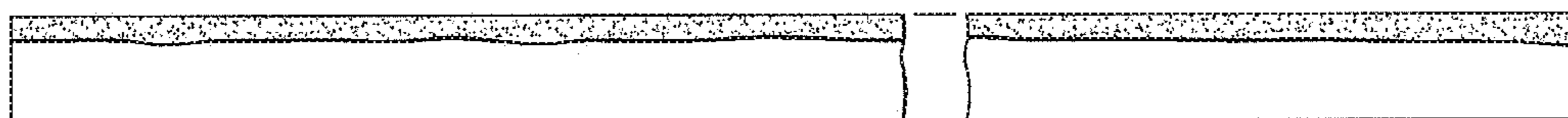


FIG. 5