



US00D654598S

(12) **United States Design Patent**
Hooper

(10) **Patent No.:** **US D654,598 S**

(45) **Date of Patent:** **** Feb. 21, 2012**

(54) **URINE SAMPLE CUP HOLDER**

(76) **Inventor:** **Darlene L. Hooper**, Chula Vista, CA
(US)

(**) **Term:** **14 Years**

(21) **Appl. No.:** **29/397,753**

(22) **Filed:** **Jul. 20, 2011**

(51) **LOC (9) Cl.** **24-02**

(52) **U.S. Cl.** **D24/227**

(58) **Field of Classification Search** D24/107,
D24/121-123, 127-128, 216, 224, 227-228,
D24/231, 232; D7/608, 700; 604/317, 322,
604/356; 422/99-104, 557; 4/432, 144.1;
600/573-574; 206/363

See application file for complete search history.

(56) **References Cited**

U.S. PATENT DOCUMENTS

D217,793	S	*	6/1970	Klouse	D24/122
3,625,654	A	*	12/1971	Bowley	600/574
4,244,920	A		1/1981	Manschet et al.		
D306,648	S	*	3/1990	Jones et al.	D24/128
5,147,342	A		9/1992	Kane et al.		
D335,176	S	*	4/1993	Jones et al.	D24/128
D335,179	S	*	4/1993	Jones et al.	D24/128
D335,346	S		5/1993	Jones et al.		
D340,768	S		10/1993	Jabour		
D353,669	S	*	12/1994	Jones et al.	D24/122
D357,066	S		4/1995	Jones et al.		
D364,458	S	*	11/1995	Jones et al.	D24/128
5,492,220	A	*	2/1996	Estay	206/363
D368,135	S		3/1996	Vasai		
5,558,840	A		9/1996	Jones et al.		
D379,655	S	*	6/1997	Savignac	D24/122
D398,993	S	*	9/1998	Jones	D24/122
D456,898	S		5/2002	Yang		
6,485,438	B1	*	11/2002	Minue	600/573

6,485,691	B1	*	11/2002	Jones	422/557
6,602,231	B1	*	8/2003	Mariea	604/317
D489,453	S		5/2004	Sapyta		
6,973,678	B2	*	12/2005	Jones	4/144.1
7,000,963	B2		2/2006	Dodd et al.		
7,011,634	B2	*	3/2006	Paasch et al.	600/573
D567,368	S	*	4/2008	Guptill	D24/122
D579,557	S	*	10/2008	Washington	D24/122
D580,559	S	*	11/2008	Lee et al.	D24/224
D593,206	S	*	5/2009	Kopoian	D24/227
D610,700	S	*	2/2010	Khoury	D24/224
D627,479	S	*	11/2010	Cofie	D24/224

* cited by examiner

Primary Examiner — T. Chase Nelson

Assistant Examiner — Mark Cavanna

(74) *Attorney, Agent, or Firm* — Montgomery Patent & Design, LLC; Robert C. Montgomery; Joseph T. Yaksich

(57) **CLAIM**

The ornamental design for a urine sample cup holder, as shown and described.

DESCRIPTION

FIG. 1 is a perspective view of a urine sample cup holder depicted in use with a urine sample cup, showing my new design;

FIG. 2 is a perspective view of the urine sample cup holder;

FIG. 3 is a front view thereof;

FIG. 4 is a rear view thereof;

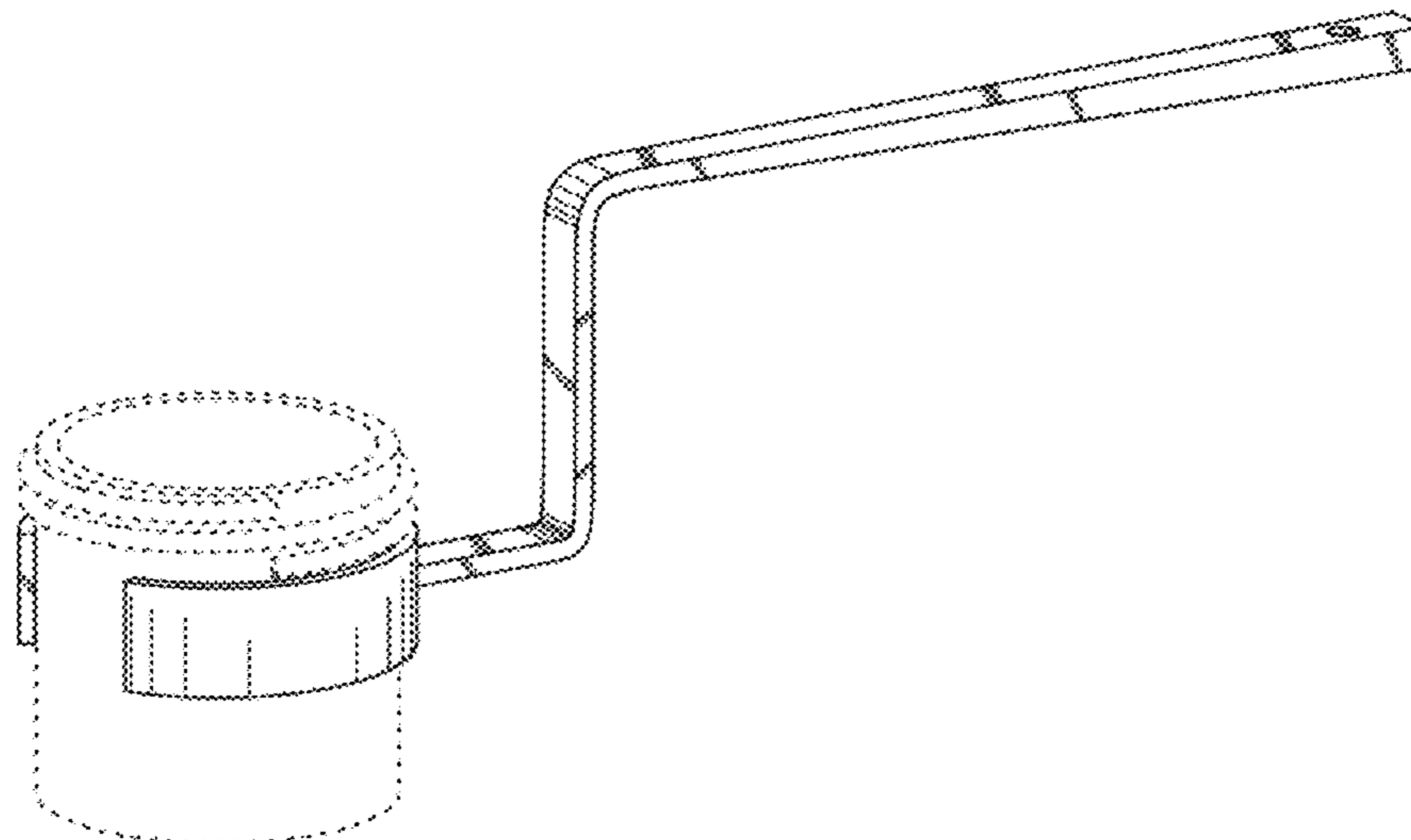
FIG. 5 is a left side view thereof with a right side view being a mirror image;

FIG. 6 is a top view thereof; and,

FIG. 7 is a bottom view thereof.

The broken line showing of a urine sample cup in FIG. 1 is for the purpose of illustrating environmental structure and forms no part of the claimed design.

1 Claim, 6 Drawing Sheets



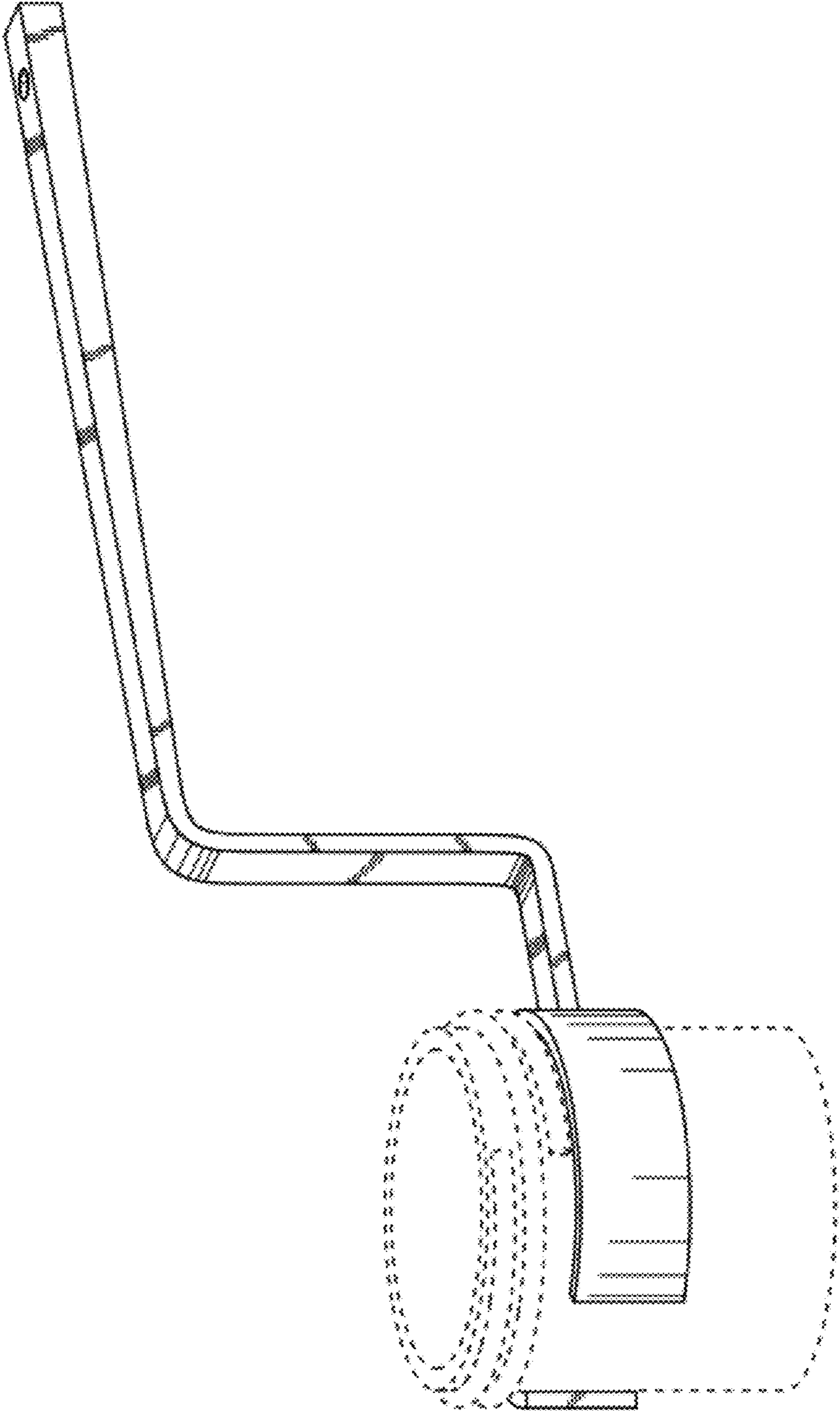


Fig. 1

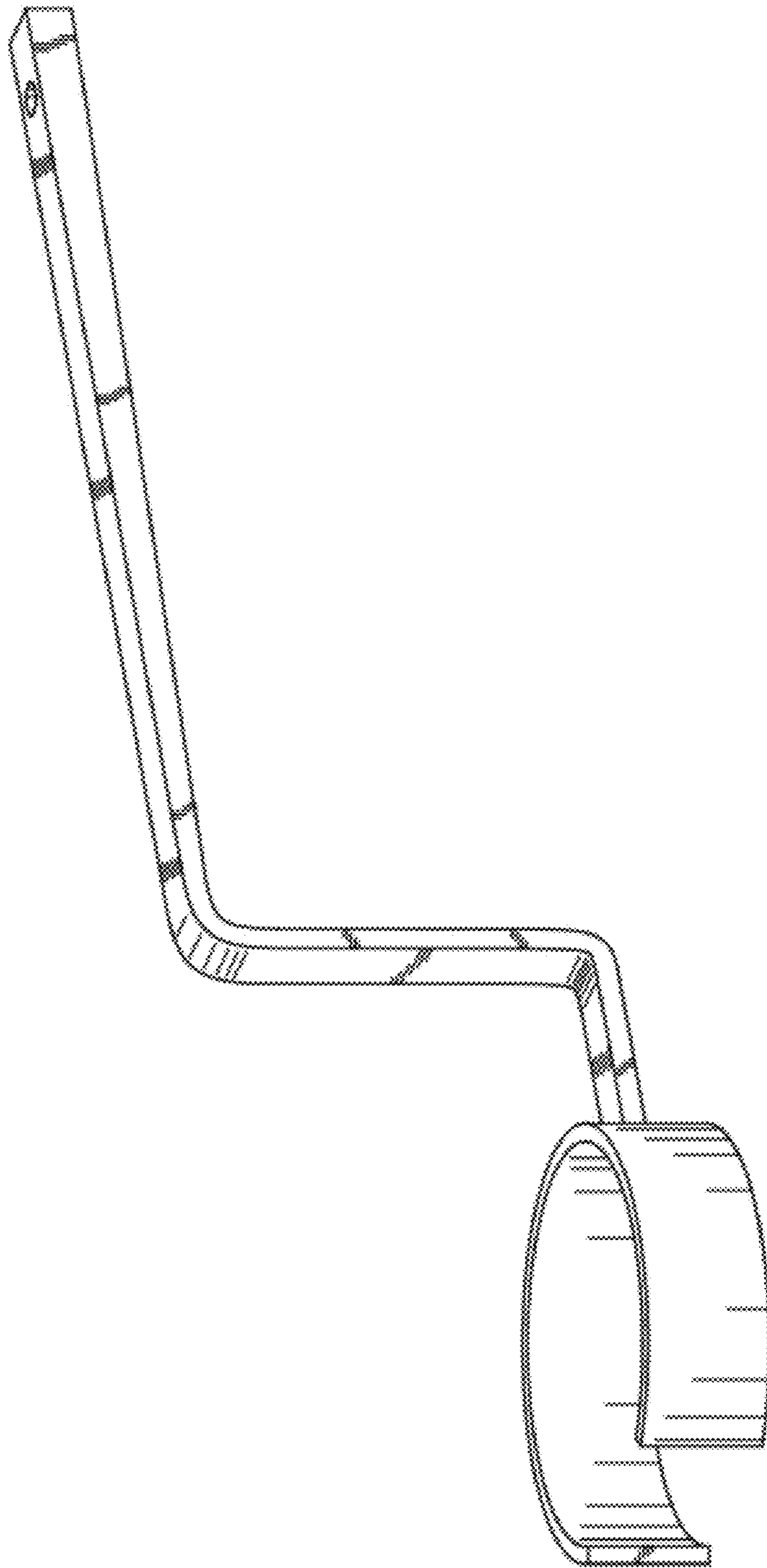


Fig. 2

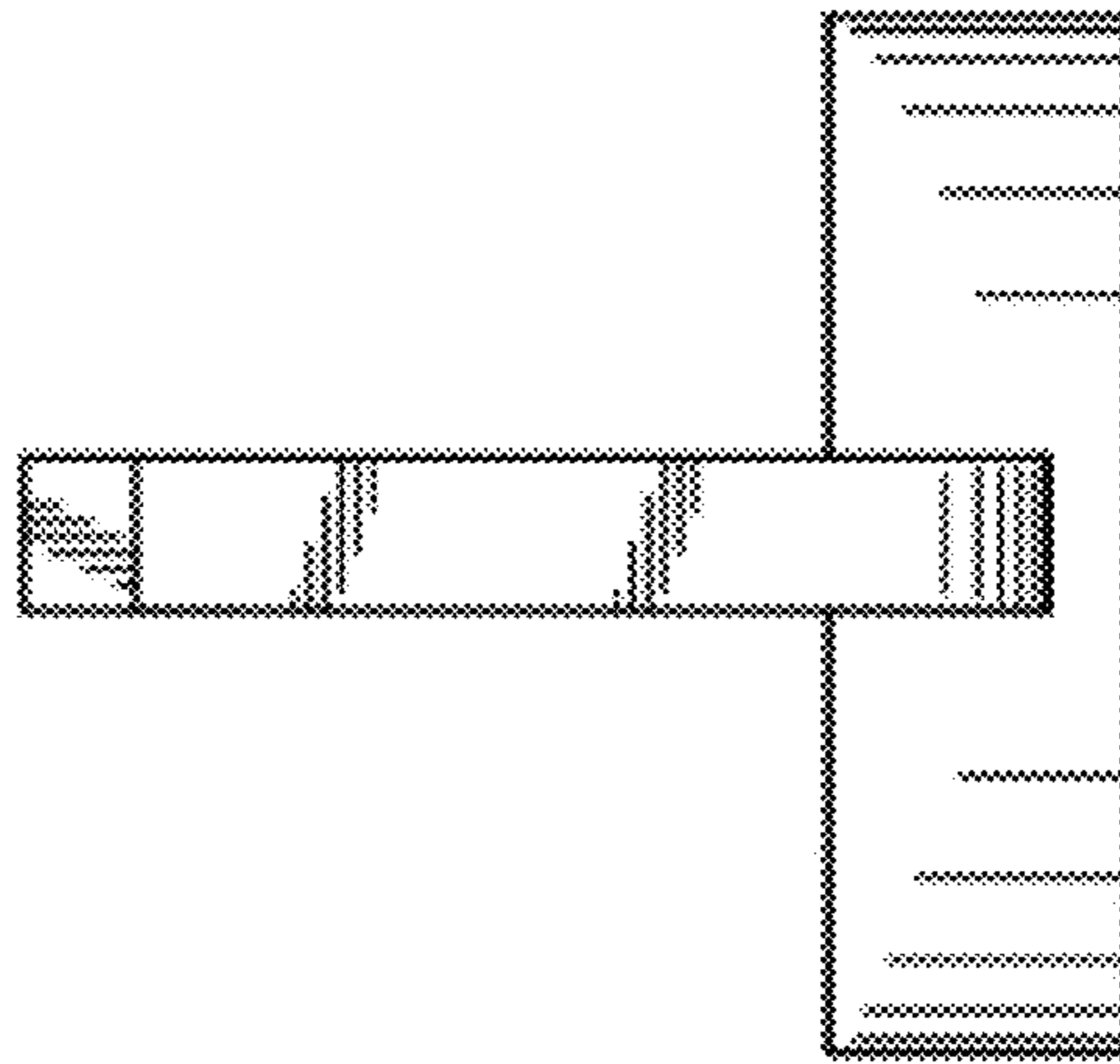


Fig. 4

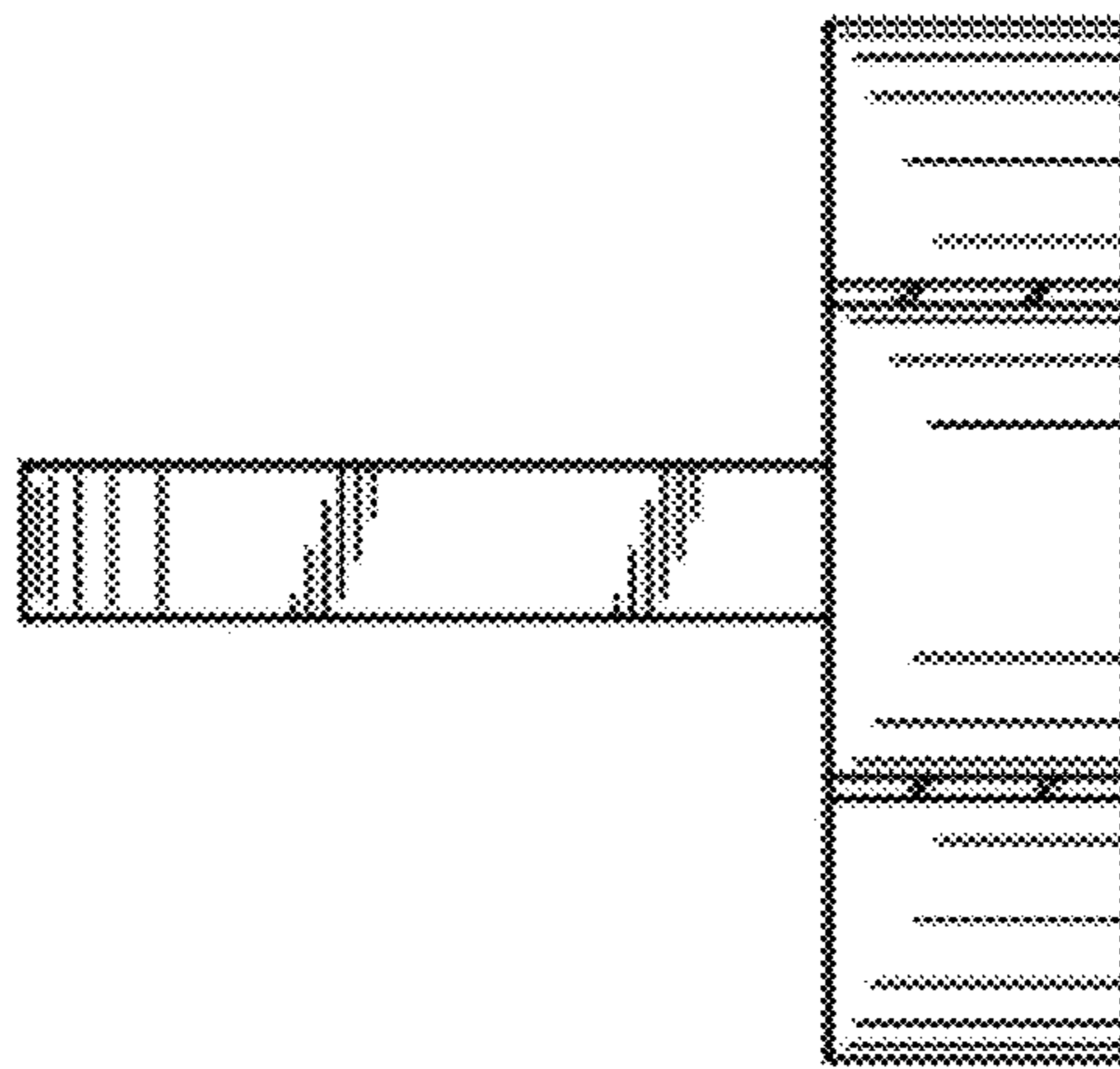


Fig. 3

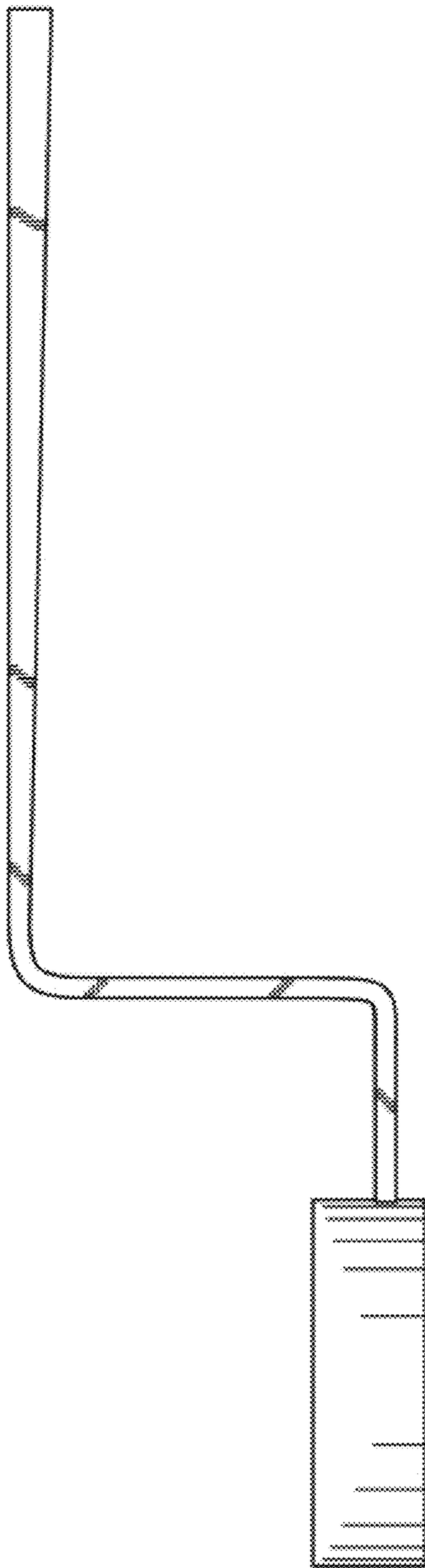


Fig. 5

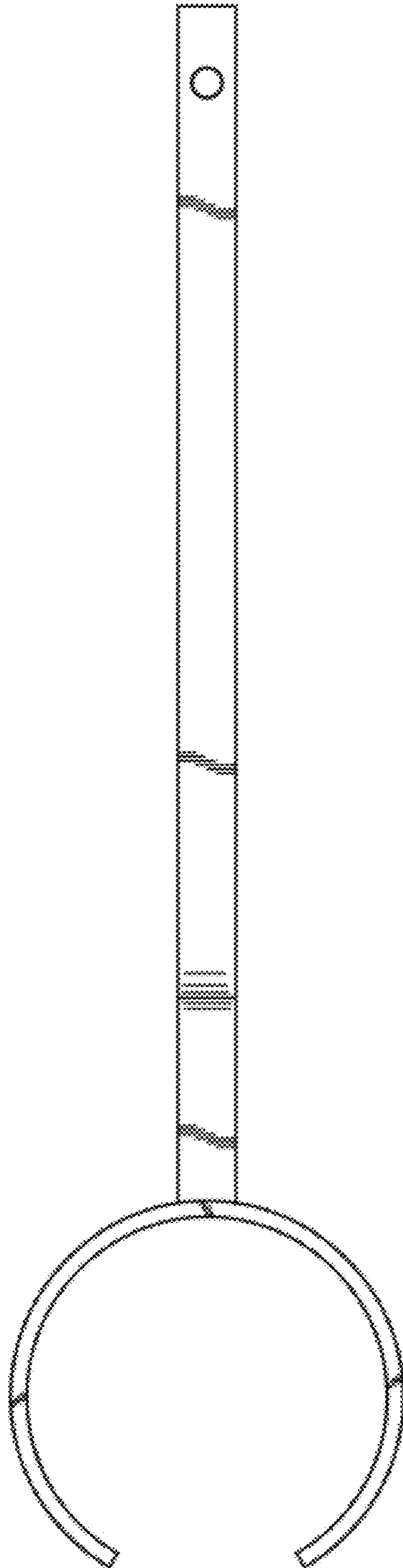


Fig. 6

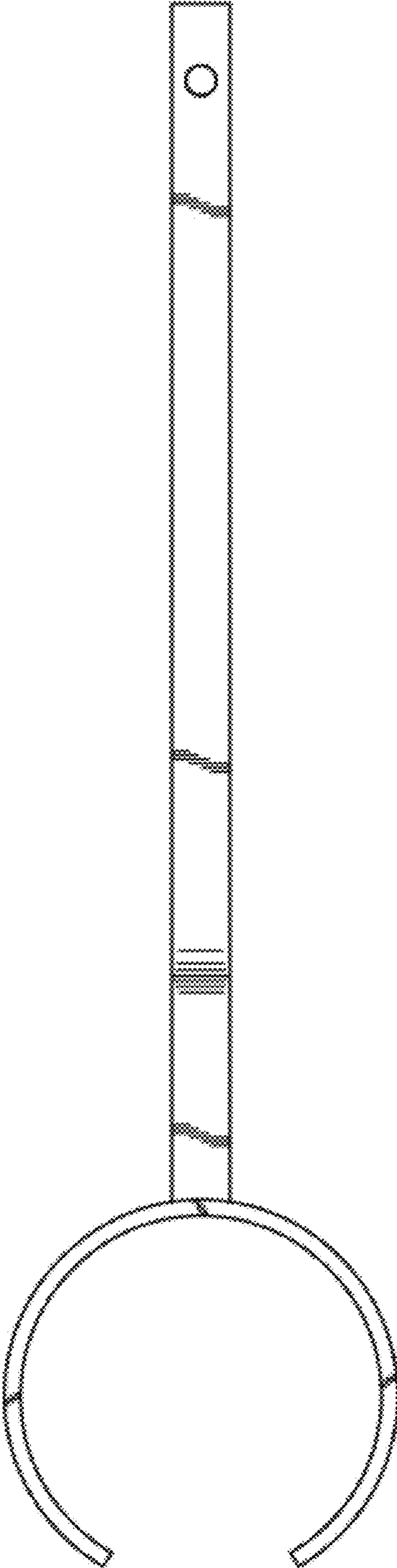


Fig. 7